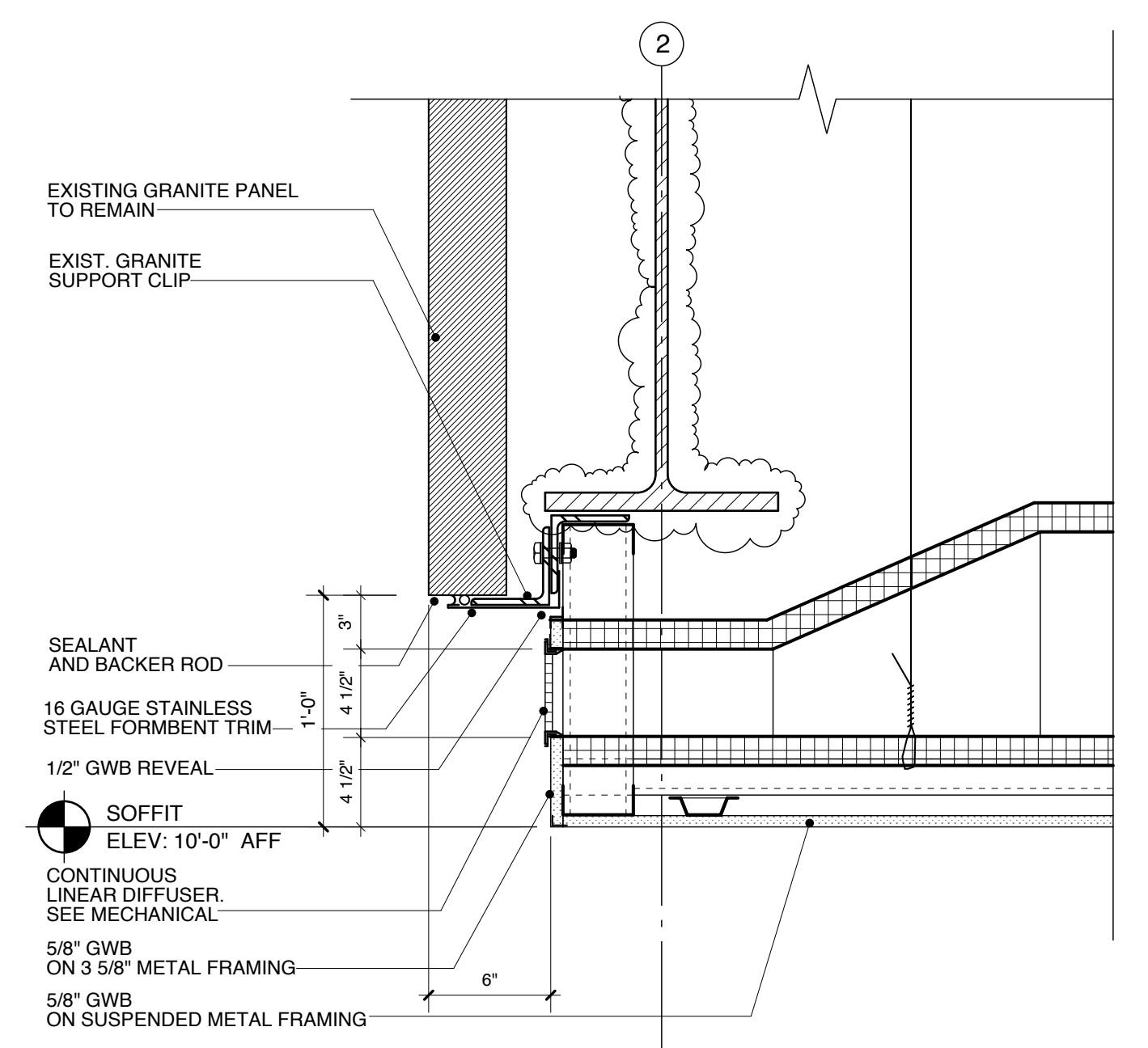
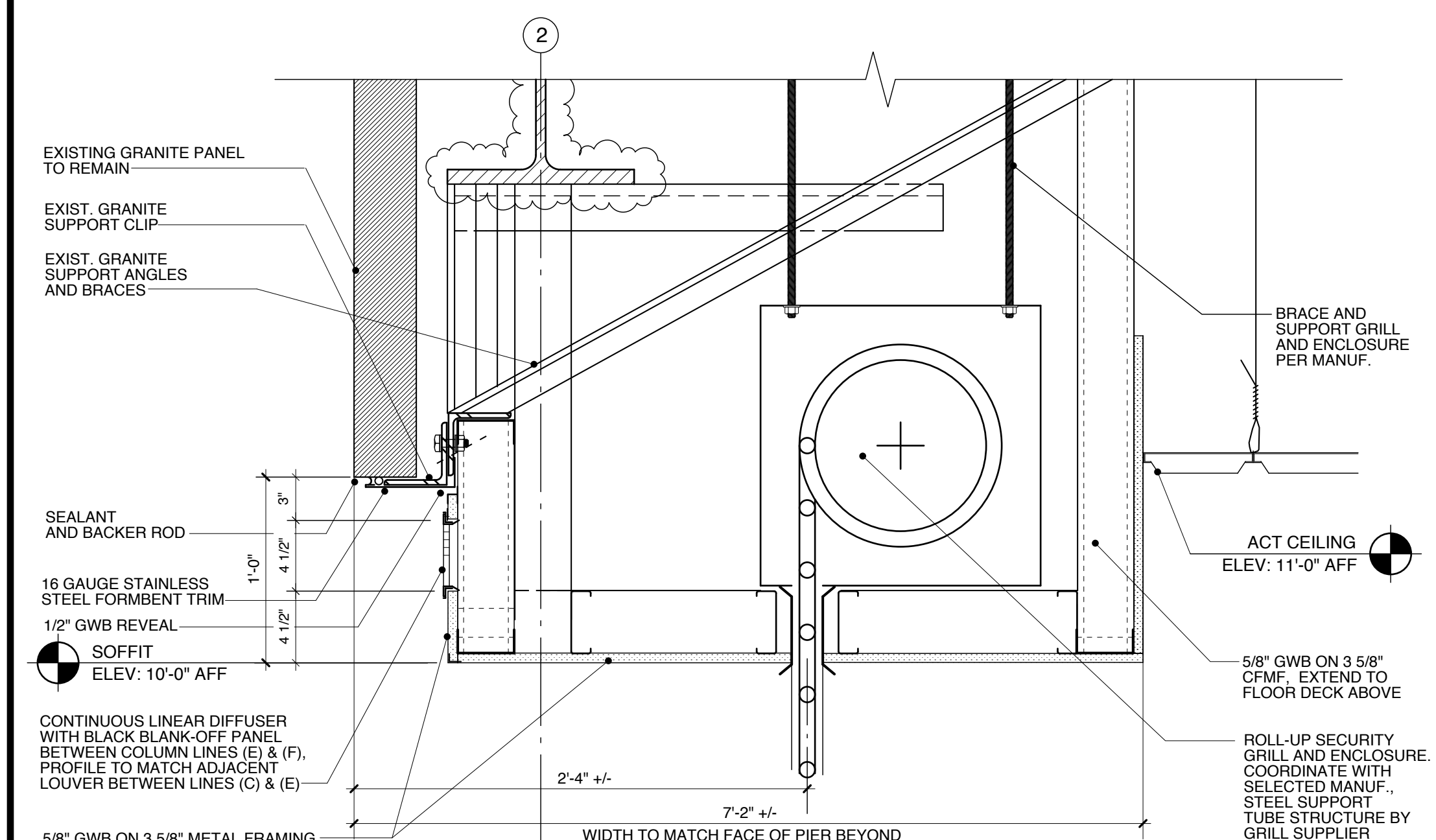



1 LEVEL 2 FLOOR PLAN
SCALE: 1/8" = 1'-0"



7 SOFFIT DETAIL @ DUCT
SCALE: 1 1/2" = 1'-0"



9 SOFFIT DETAIL @ SECURITY GRILL
SCALE: 1 1/2" = 1'-0"

 <p>Scott Simons Architects 75 York Street Portland, Maine 04101 tel: 207 772 4555 fax: 207 628 4555 web: www.simonsarchitects.com</p>	<p>PROJECT</p> <p>Portland Public Library Addition / Renovation</p> <p>5 MONUMENT SQUARE PORTLAND, ME</p>
	<p>TITLE</p> <p>LEVEL 2 FLOOR PLAN</p>
<p>THIS DRAWING IS THE PROPERTY OF SCOTT SIMONS ARCHITECTS AND IS NOT TO BE COPIED OR REPRODUCED IN PART OR WHOLE.</p>	<p>STATUS:</p> <p>ISSUED FOR BIDDING CONSTRUCTION DOCUMENTS</p>
<p>DATE: 02.13.2009</p> <p>SCALE: 1/4" = 1'-0"</p> <p>PROJECT NO: 2008-0030</p> <p>DRAWN BY: LBS</p> <p>DWG NO. A103</p>	<p>REVISION / DATE:</p> <p>2009 © Scott Simons Architects</p>

