

**EXISTING THIRD FLOOR FRAMING PLAN**  
1/4"=1'-0"

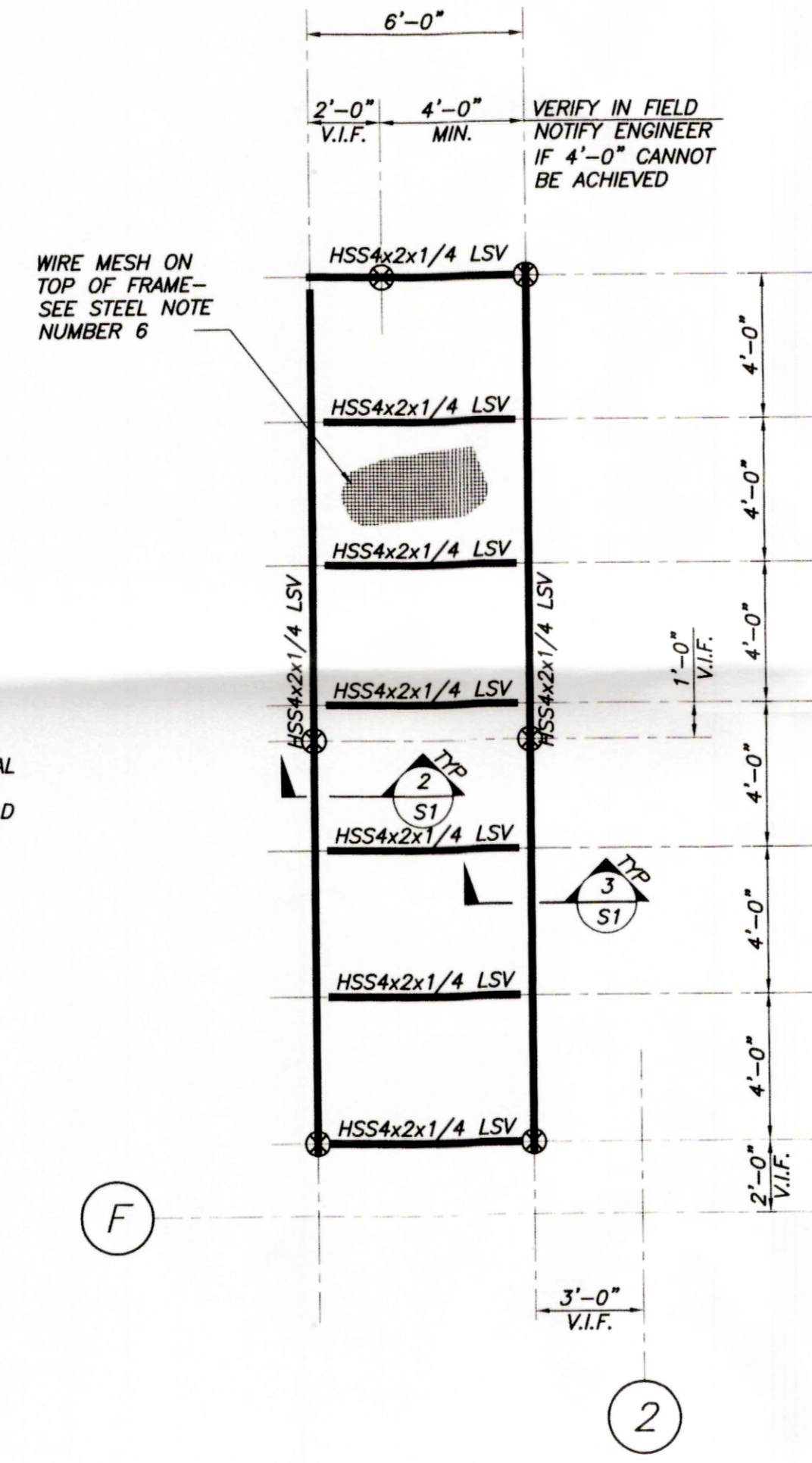
- NOTES:**
- REF TOP OF EXIST SLAB EL 113'-3" V.I.F.
  - REF TOP OF EXIST STEEL EL 112'-9" V.I.F.
  - \*⊗\* INDICATES LOCATION OF NEW HANGER DOWN.

**GENERAL NOTES**

- THE FOLLOWING NOTES ARE INTENDED TO BE USED AS OUTLINED SPECIFICATIONS FOR THIS PROJECT. THE REFERENCED STANDARDS ARE CONSIDERED TO BE PART OF THE WORK.
- ALL DIMENSIONS AND CONDITIONS MUST BE VERIFIED IN THE FIELD. ANY DISCREPANCIES SHALL BE BROUGHT TO THE ATTENTION OF THE ENGINEER BEFORE PROCEEDING WITH THE AFFECTED PART OF THE WORK.
- THE STRUCTURE IS DESIGNED TO BE SELF SUPPORTING AND STABLE ONLY AFTER THE STRUCTURAL WORK CONTAINED IN THE STRUCTURAL DRAWINGS IS COMPLETED. IT IS THE CONTRACTOR'S SOLE RESPONSIBILITY TO DETERMINE ERECTION PROCEDURES AND SEQUENCE TO ENSURE THE SAFETY OF THE BUILDING AND ITS COMPONENTS DURING ERECTION. THIS INCLUDES THE ADDITION OF NECESSARY SHORING, TEMPORARY BRACING, GUYS OR TIEDOWNS. SUCH MATERIAL SHALL REMAIN THE PROPERTY OF THE CONTRACTOR AFTER COMPLETION OF THE PROJECT.
- SECTIONS AND DETAILS SHOWN ON ANY STRUCTURAL DRAWINGS SHALL BE CONSIDERED TYPICAL FOR SIMILAR CONDITIONS AS DETERMINED BY THE ENGINEER.
- ALL APPLICABLE FEDERAL, STATE, AND MUNICIPAL REGULATIONS SHALL BE FOLLOWED, INCLUDING THE FEDERAL DEPARTMENT OF LABOR OCCUPATIONAL SAFETY AND HEALTH ACT (OSHA).
- DESIGN ASSUMES EQUAL DISTRIBUTION OF LOADING ACROSS FRAME. SEQUENCE HANGING OF SCULPTURE ACCORDINGLY.
- MAXIMUM TOTAL LOAD TO BE APPLIED TO SCULPTURE FRAME IS 800 POUNDS.

**SUBMITTALS**

- THE CONTRACTOR SHALL SUBMIT COMPLETE SHOP DRAWINGS FOR ALL PARTS OF THE WORK, INCLUDING DESCRIPTION OF SHORING, AND CONSTRUCTION METHODS AND SEQUENCING WHERE APPLICABLE. NO PERFORMANCE OF THE WORK INCLUDING, BUT NOT LIMITED TO, SHORING AND DEMOLITION OF EXISTING STRUCTURE, OR FABRICATION OR ERECTION OF NEW STRUCTURAL ELEMENTS, SHALL COMMENCE WITHOUT REVIEW OF THE SHOP DRAWINGS BY THE ARCHITECT OR CONSTRUCTION MANAGER AND ENGINEER. CONTRACTOR SHALL ALLOW 10 WORKING DAYS FOR REVIEW.
- REQUIRED SUBMITTALS SHALL INCLUDE STRUCTURAL STEEL FRAMING FABRICATION DRAWINGS.

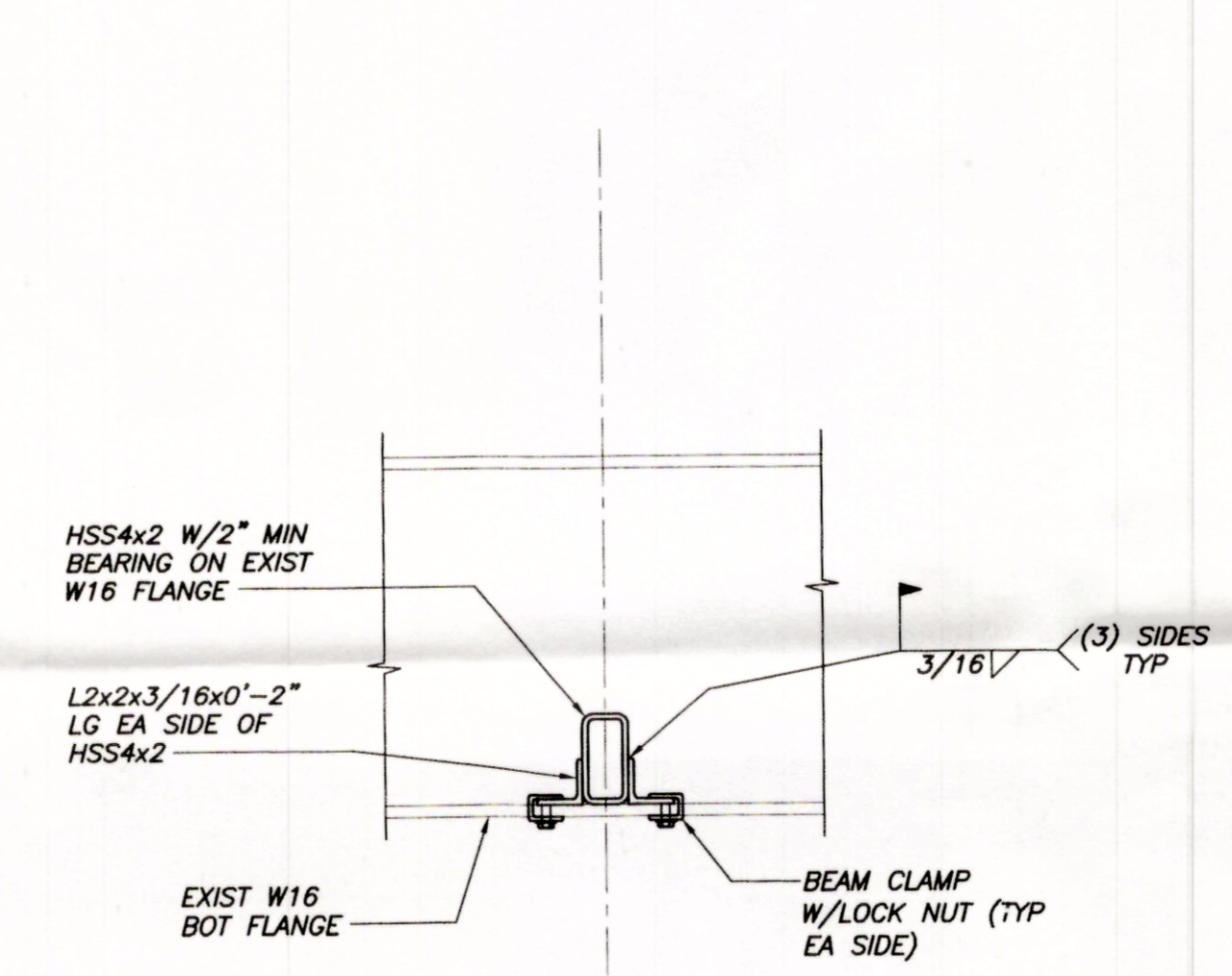


**NEW HANGING SCULPTURE FRAME**  
1/4"=1'-0"

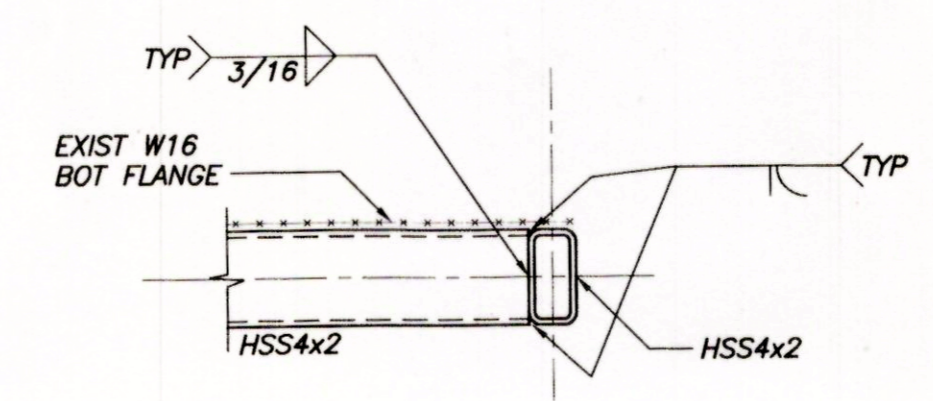
- NOTES:**
- TOP OF STEEL (-1'-0") BELOW CEILING OR ABOUT ELEVATION 109'-3"± (V.I.F.)
  - \*⊗\* INDICATES LOCATION OF NEW HANGER TO NEW STEEL TUBE ABOVE.

**STRUCTURAL STEEL NOTES**

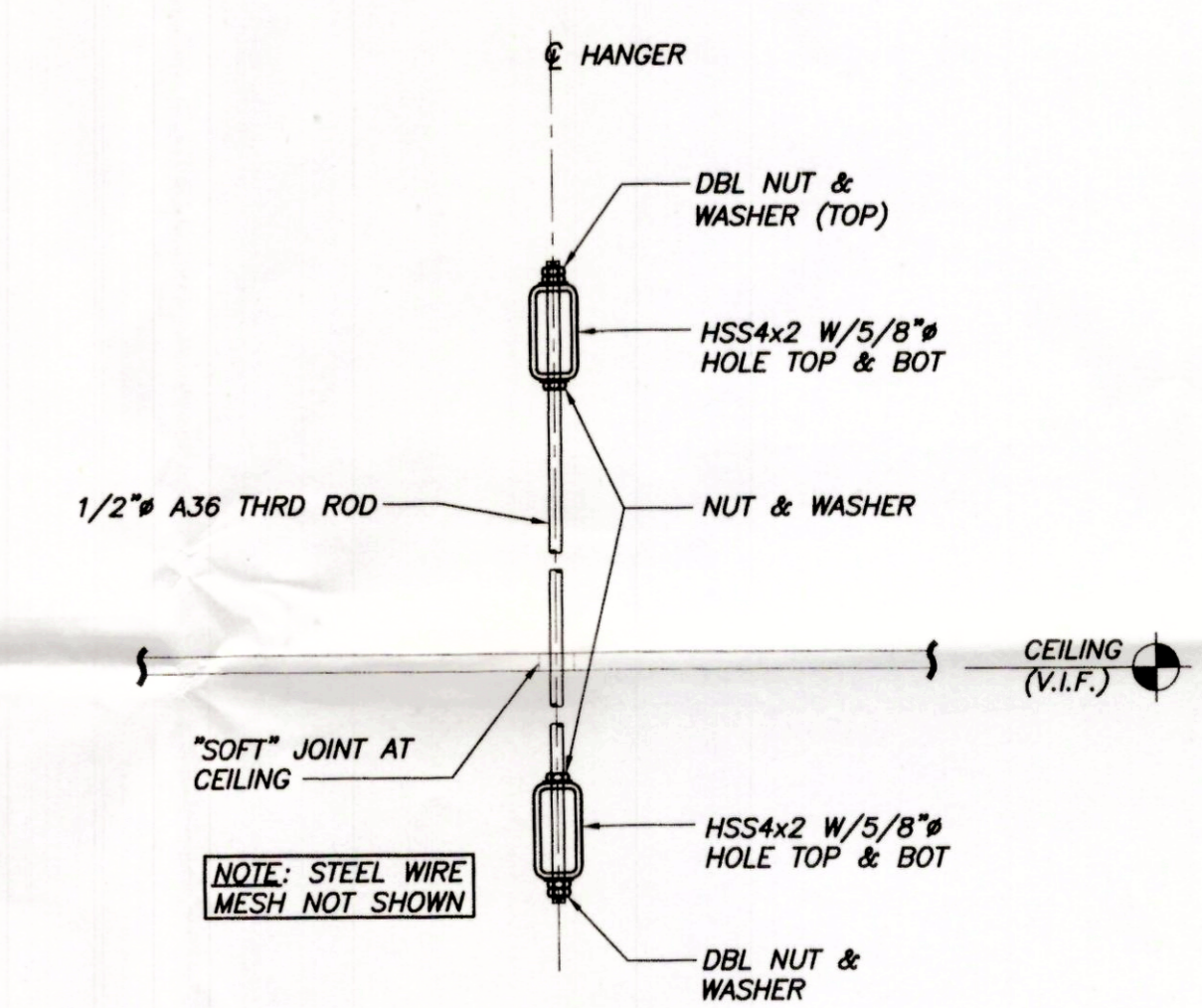
- STRUCTURAL STEEL FABRICATION, ERECTION, AND CONNECTION DESIGN SHALL CONFORM TO AISC "SPECIFICATION FOR THE DESIGN FABRICATIONS, AND ERECTION OF STRUCTURAL STEEL" 13TH EDITION, AND THE "CODE OF STANDARD PRACTICE", LATEST EDITION.
- STRUCTURAL STEEL: STEEL PLATES, SHAPES, THREADED RODS AND BARS, SHALL CONFORM TO ASTM A36 UNLESS NOTED OTHER WISE (U.N.O.).
- STRUCTURAL TUBING: CONFORM TO ASTM A500 GRADE B, 46 KSI.
- WHERE WELDING IS INDICATED, ALL WELDING SHALL CONFORM TO AWS D1.1--LATEST EDITION. ELECTRODES SHALL CONFORM TO AWS A5.1 E70XX SERIES WITH PROPER ROD TO PRODUCE OPTIMUM WELD (LOW HYDROGEN)
- PAINT: FABRICATOR SHALL SHOP PRIME FRAME WITH SHOP PRIMER. PREPARE STEEL PER PAINT MANUFACTURER'S RECOMMENDATIONS. TOP COAT ALL SURFACES WITH MINIMUM TWO COATS OF COMPATIBLE PAINT, WHITE EGGS SHELL FINISH. FINAL PAINT COLOR, FINISH AND PRODUCT SHALL BE APPROVED BY THE ARTIST.
- 1"x1" WIRE MESH, 11 GAGE, PLAIN WEAVE BY DIRECTMETALS.COM SHALL BE WELDED TO THE TOP OF THE FRAME WITH MINIMUM 1" WELDS AT 8" O.C. AT ALL FRAME MEMBERS. PRIME AND PAINT MESH WITH FRAME.
- REPAIR ALL FIREPROOFING REMOVED TO INSTALL FRAME.



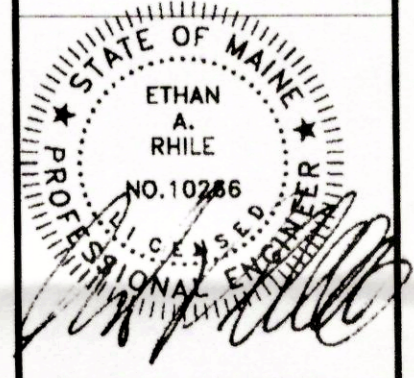
**SECTION 1**  
1 1/2"=1'-0"



**SECTION 2**  
1 1/2"=1'-0"



**SECTION 3**  
1 1/2"=1'-0"



Approved For	X
Issued For	ISSUED FOR CONSTRUCTION
Date	3/20/13
Draw No.	

Portland Public Library  
 Hanging Sculpture Frame  
 Plans, Notes, Sections and Details

Designed	Scale
EAR	NOTED
Drawn	Date
APP	03/20/13
Checked	Becker Job Number
DSB	3010

S1

THIS DRAWING IS AN INSTRUMENT OF SERVICE AND SHALL REMAIN THE PROPERTY OF BECKER STRUCTURAL ENGINEERS INC. IT SHALL NOT BE REPRODUCED, COPIED, LENT OR DISPOSED OF DIRECTLY OR INDIRECTLY FOR ANY PURPOSE OTHER THAN FOR WHICH IT IS SPECIFICALLY FURNISHED AND MUST BE RETURNED TO BECKER STRUCTURAL ENGINEERS INC. ON COMPLETION OF WORK, IF REQUESTED.