

**POWERPAY
OFFICE FIT
UP**

**Winton Scott
Architects
5 Milk Street
Portland, ME 04101**

**Wright Ryan
Construction, Inc.
10 Danforth Street
Portland, ME 04101**

**Becker Structural
Engineers, Inc.
75 York Street
Portland, Maine 04101**

**Mechanical Systems
Engineers
10 Royal River Center
Yarmouth, Maine 04096**

**Bartlett Design
942 Washington St.
Bath, Maine 04530**

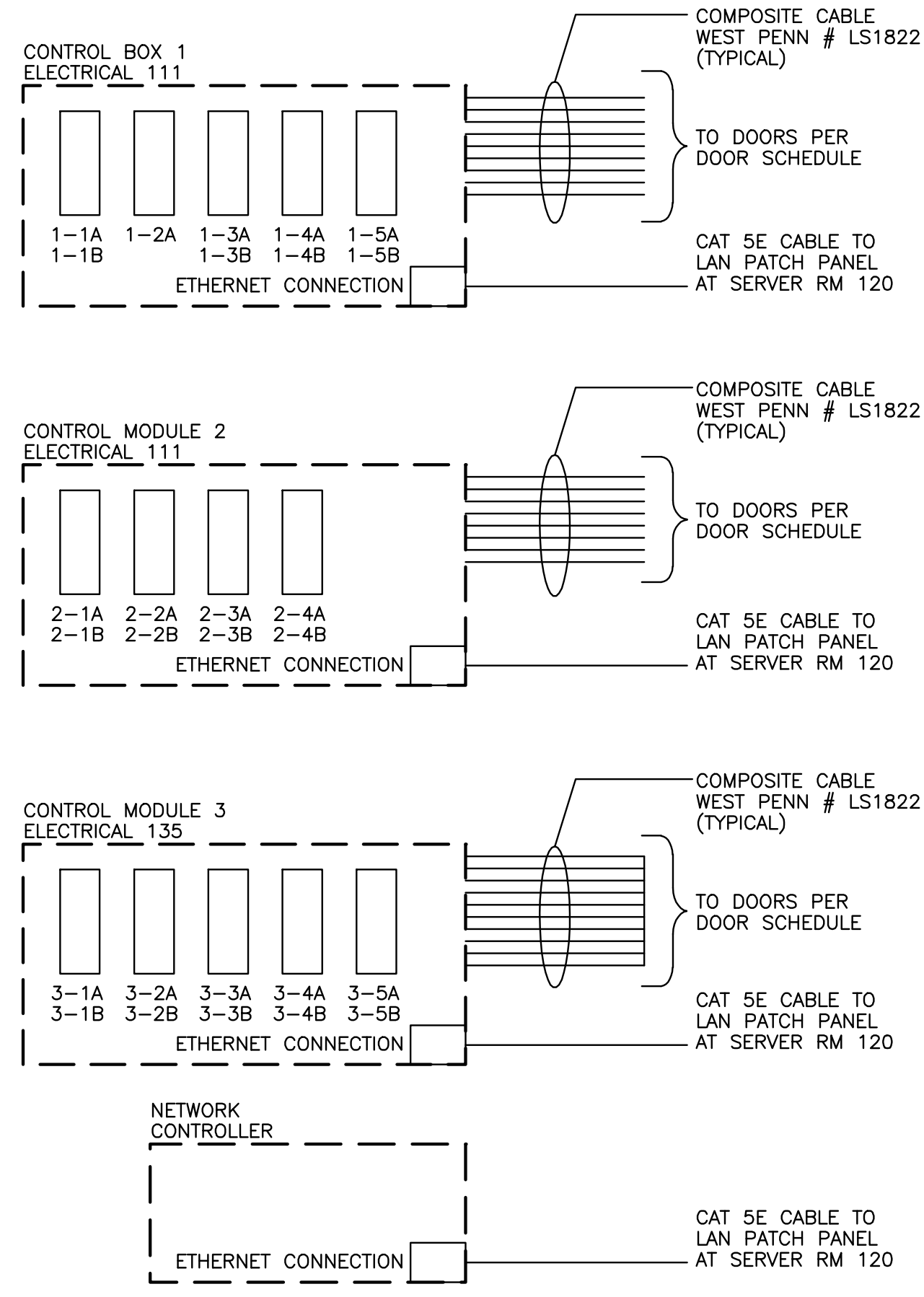
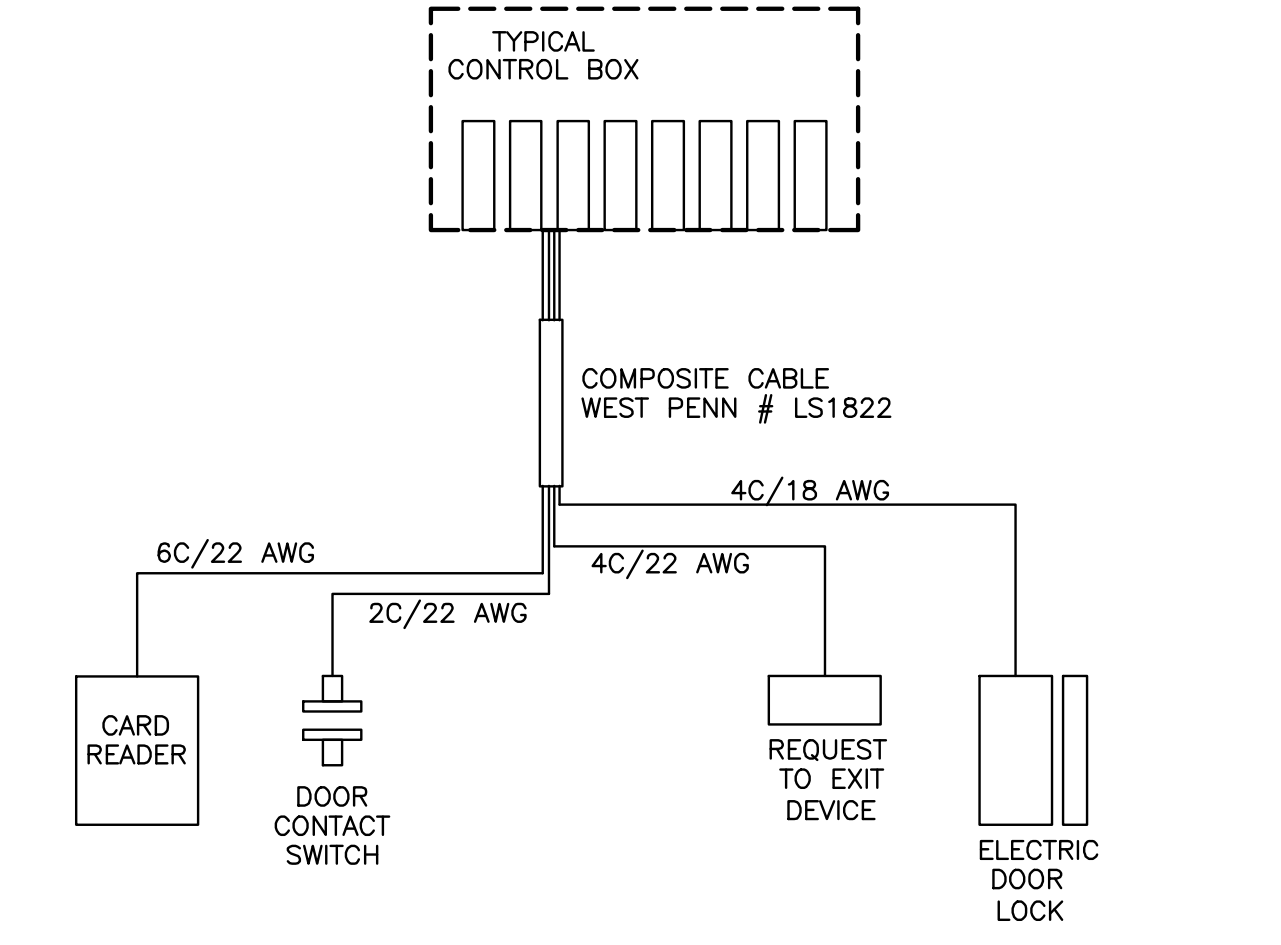
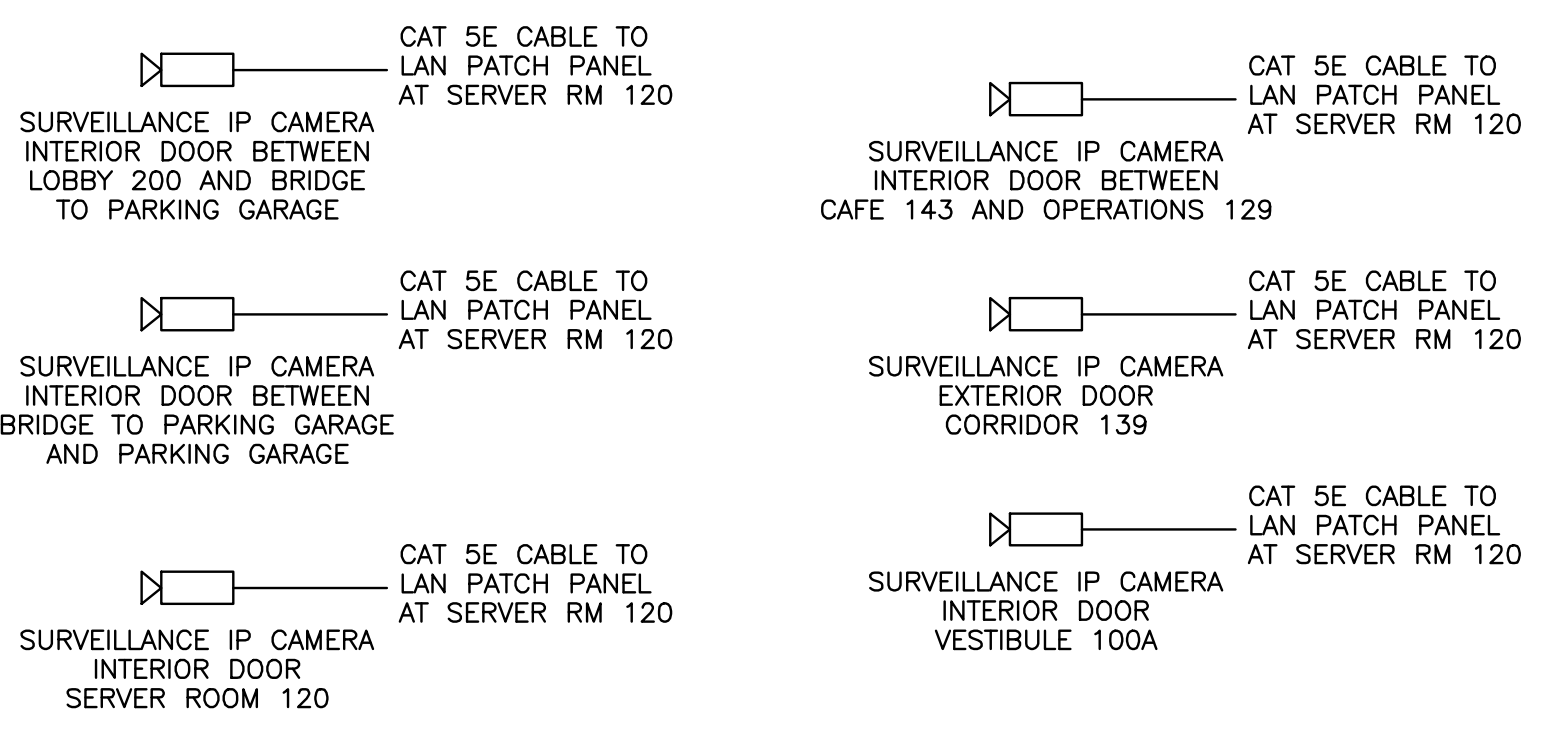
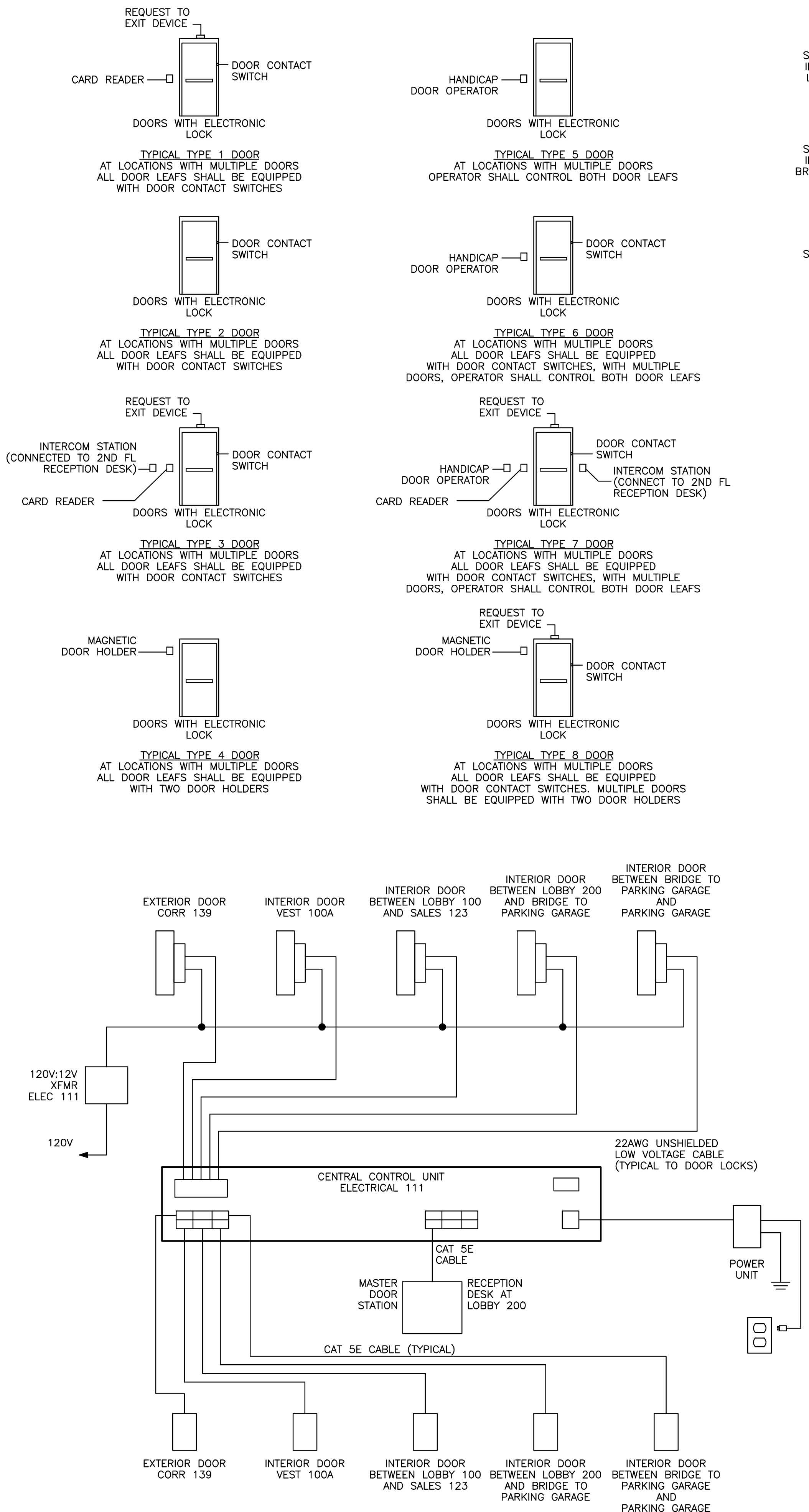
**Fore Solutions
386 Fore Street
Portland, Maine 04101**

**DOOR CONTROL
WIRING DIAGRAMS
& SCHEDULE**

E3.5

DOOR CONTROL SCHEDULE				
DOOR LOCATION	DOOR TYF	POWFR CIRCUIT	CONTROL FR NUMBR	DOOR OPERATION
VFSTIBUIF 143A EXTRIOR DOOR	2	3-1A	P-F1 #31	UNLOCKED DURING OCCUPIED HOURS; LOCKED DURING UNOCCUPIED HOURS.
VFSTIBUIF 143A INTRIOR DOOR	2	3-1B	P-F1 #31	UNLOCKED DURING OCCUPIED HOURS; LOCKED DURING UNOCCUPIED HOURS.
CAFF 144 EXTRIOR DOOR	2	3-2A	P-F1 #31	UNLOCKED DURING OCCUPIED HOURS; LOCKED DURING UNOCCUPIED HOURS.
LOBBY 143 EXTRIOR DOOR AT RAMP	5	3-2B	P-F1 #31	UNLOCKED DURING OCCUPIED HOURS; LOCKED DURING UNOCCUPIED HOURS.
INTRIOR DOOR BETWFFN LOBBY 143 AND CAFF 144 (NOTF 1)	4	3-3A	P-F1 #33	DOORS HFD OPFN (INTFRILOCKFD WITH FIRF ALARM SYSTFM).
INTRIOR DOOR BETWFFN CAFF 143 AND OPFRATIONS 129	1	3-3B	P-F1 #33	DOOR NORMALLY LOCKFD FROM OUTSIDF. OUTSIDF ACCFSS ONLY BY CARD RFADFR (FXIT FGRFSS ALLOWFD).
CORRIDOR 139 EXTRIOR DOOR	3	3-4A	P-F1 #33	DOOR NORMALLY LOCKFD FROM OUTSIDF. OUTSIDF ACCFSS BY CARD RFADFR (FXIT FGRFSS ALLOWFD). OUTSIDF INTFCOM STATION TO CALL SCOND FLOOR RCFPTION. SCOND FLOOR RCFPTION TO RFIASF DOOR LOCK.
FMPLOYFF LOUNCF EXTRIOR DOOR	2	3-5A	P-F1 #32	DOOR NORMALLY LOCKFD FROM OUTSIDF (FXIT FGRFSS ALLOWFD).
FMPLOYFF LOUNCF EXTRIOR DOOR	2	3-5B	P-F1 #32	DOOR NORMALLY LOCKFD FROM OUTSIDF (FXIT FGRFSS ALLOWFD).
VFSTIBUIF 100A EXTRIOR DOOR	6	1-1A	P-F1 #34	UNLOCKED DURING OCCUPIED HOURS; LOCKED DURING UNOCCUPIED HOURS.
VFSTIBUIF 100A INTRIOR DOOR	7	1-1B	P-F1 #34	UNLOCKED DURING OCCUPIED HOURS; LOCKED DURING UNOCCUPIED HOURS. OUTSIDF ACCFSS BY CARD RFADFR (FXIT FGRFSS ALLOWFD). INTFCOM STATION TO CALL SCOND FLOOR RCFPTION. SCOND FLOOR RCFPTION TO RFIASF DOOR LOCK.
INTRIOR DOOR BETWFFN LOBBY 100 AND SAIFS 123	3	1-2A	P-F1 #34	UNLOCKED DURING OCCUPIED HOURS; LOCKED DURING UNOCCUPIED HOURS. OUTSIDF ACCFSS BY CARD RFADFR (FXIT FGRFSS ALLOWFD). INTFCOM STATION TO CALL SCOND FLOOR RCFPTION. SCOND FLOOR RCFPTION TO RFIASF DOOR LOCK.
INTRIOR DOOR BETWFFN STAIR 108 AND SAIFS 123 (NOTF 2)	8	1-3A	P-F1 #36	DOORS HFD OPFN (INTFRILOCKFD WITH FIRF ALARM SYSTFM).
INTRIOR DOOR BETWFFN STAIR 108 AND CORRIDOR 106	1	1-3B	P-F1 #36	DOOR NORMALLY LOCKFD FROM OUTSIDF. OUTSIDF ACCFSS BY CARD RFADFR (FXIT FGRFSS ALLOWFD).
CORRIDOR 106 EXTRIOR DOOR	1	1-4A	P-F1 #36	DOOR NORMALLY LOCKFD FROM OUTSIDF. OUTSIDF ACCFSS BY CARD RFADFR (FXIT FGRFSS ALLOWFD).
EXTRIOR DOOR (ADJACNT TO SFRVFR ROOM 120)	2	1-4B	P-F1 #36	DOOR NORMALLY LOCKFD FROM OUTSIDF (FXIT FGRFSS ALLOWFD).
INTRIOR DOOR SFRVFR ROOM 120	1	1-5A	P-F1 #34	DOOR NORMALLY LOCKFD FROM OUTSIDF. OUTSIDF ACCFSS BY CARD RFADFR (FXIT FGRFSS ALLOWFD).
INTRIOR DOOR STORACF 141	1	3-4B	P-F1 #33	DOOR NORMALLY LOCKFD FROM OUTSIDF. OUTSIDF ACCFSS BY CARD RFADFR (FXIT FGRFSS ALLOWFD).
INTRIOR DOOR STORACF 121	1	1-5B	P-F1 #32	DOOR NORMALLY LOCKFD FROM OUTSIDF. OUTSIDF ACCFSS BY CARD RFADFR (FXIT FGRFSS ALLOWFD).
INTRIOR DOOR BETWFFN LOBBY 200 AND BRIDCF TO PARKING GARACF	7	2-1A	P-F1 #35	UNLOCKED DURING OCCUPIED HOURS; LOCKED DURING UNOCCUPIED HOURS. OUTSIDF ACCFSS BY CARD RFADFR (FXIT FGRFSS ALLOWFD). INTFCOM STATION TO CALL SCOND FLOOR RCFPTION. SCOND FLOOR RCFPTION TO RFIASF DOOR LOCK.
INTRIOR DOOR BETWFFN BRIDCF TO PARKING GARACF AND PARKING GARACF	7	2-1B	P-F1 #35	UNLOCKED DURING OCCUPIED HOURS; LOCKED DURING UNOCCUPIED HOURS. OUTSIDF ACCFSS BY CARD RFADFR (FXIT FGRFSS ALLOWFD). INTFCOM STATION TO CALL SCOND FLOOR RCFPTION. SCOND FLOOR RCFPTION TO RFIASF DOOR LOCK.
INTRIOR DOOR SCOND FLOOR STAIR 108	4	2-2A	P-F1 #38	DOORS HFD OPFN (INTFRILOCKFD WITH FIRF ALARM SYSTFM).
INTRIOR DOOR SCOND FLOOR STAIR 108	4	2-2B	P-F1 #38	DOORS HFD OPFN (INTFRILOCKFD WITH FIRF ALARM SYSTFM).
INTRIOR DOOR BETWFFN LOBBY 200 AND FINANCF 216	1	2-3A	P-F1 #35	DOOR NORMALLY LOCKFD FROM OUTSIDF. OUTSIDF ACCFSS BY CARD RFADFR (FXIT FGRFSS ALLOWFD).
INTRIOR DOOR BETWFFN LOBBY 200 AND COFFFF 209	1	2-3B	P-F1 #38	DOOR NORMALLY LOCKFD FROM OUTSIDF. OUTSIDF ACCFSS BY CARD RFADFR (FXIT FGRFSS ALLOWFD).
INTRIOR DOOR BETWFFN LOBBY 200 AND CORRIDOR 208	1	2-4A	P-F1 #35	DOOR NORMALLY LOCKFD FROM OUTSIDF. OUTSIDF ACCFSS BY CARD RFADFR (FXIT FGRFSS ALLOWFD).
INTRIOR DOOR BETWFFN LOBBY 200 AND MFFTING 207	1	2-4B	P-F1 #38	DOOR NORMALLY LOCKFD FROM OUTSIDF. OUTSIDF ACCFSS BY CARD RFADFR (FXIT FGRFSS ALLOWFD).

NOTES:
1. WHFRF INDICATFD PROVIDF WIRING FOR FUTUR CARD RFADFR, RFQFST TO FXIT DVCIF AND DOOR POSITION SWITCH.
2. WHFRF INDICATFD PROVIDF WIRING FOR FUTUR CARD RFADFR AND RFQFST TO FXIT DVCIF.



DOOR INTERCOM DIAGRAM
NOT TO SCALE

DOOR ACCESS CONTROL DIAGRAM
NOT TO SCALE