

**POWERPAY
OFFICE FIT
UP**

**Winton Scott
Architects
5 Milk Street
Portland, ME 04101**

**Wright Ryan
Construction, Inc.
10 Danforth Street
Portland, ME 04101**

**Becker Structural
Engineers, Inc.
75 York Street
Portland, Maine 04101**

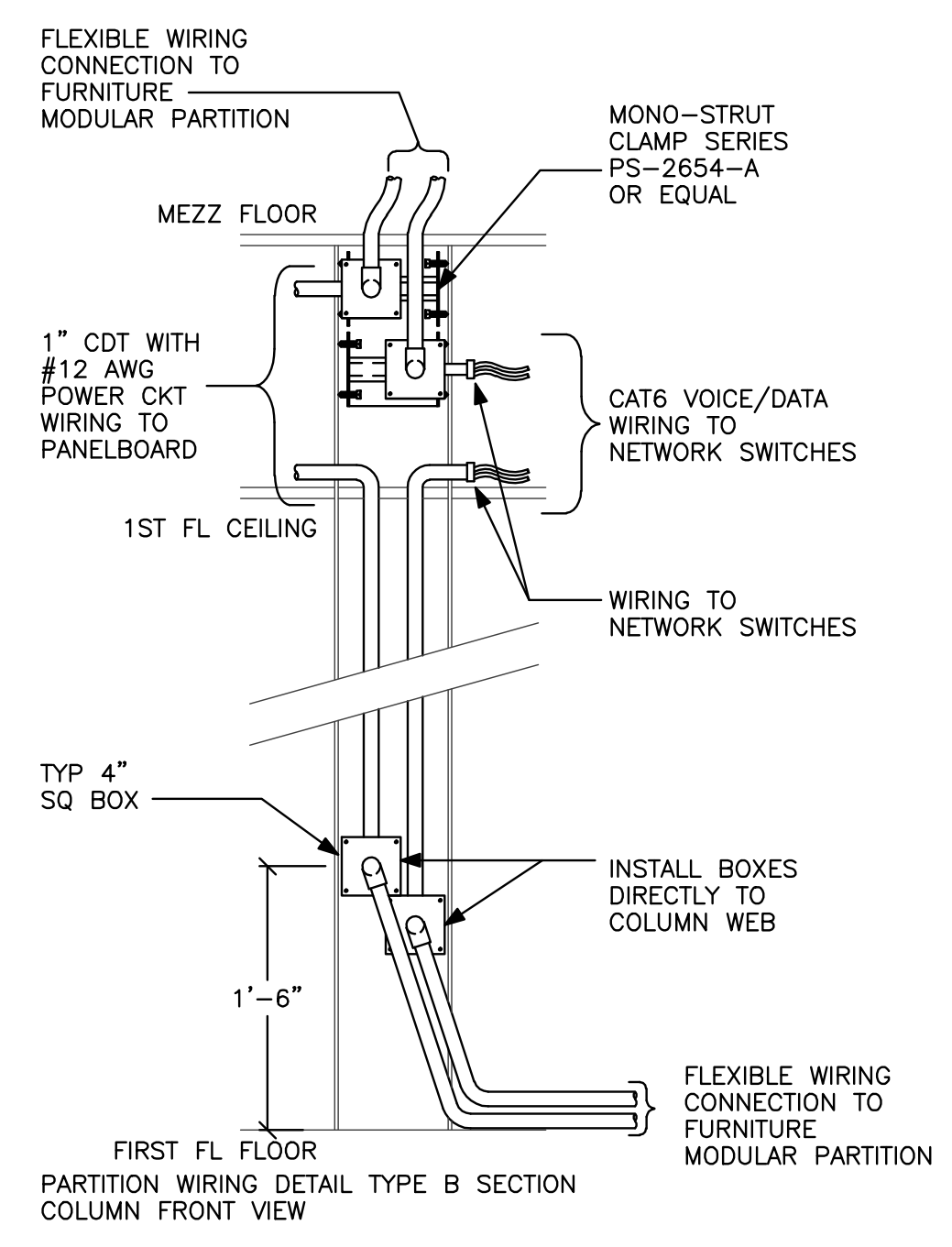
**Mechanical Systems
Engineers
10 Royal River Center
Yarmouth, Maine 04096**

**Bartlett Design
942 Washington St.
Bath, Maine 04530**

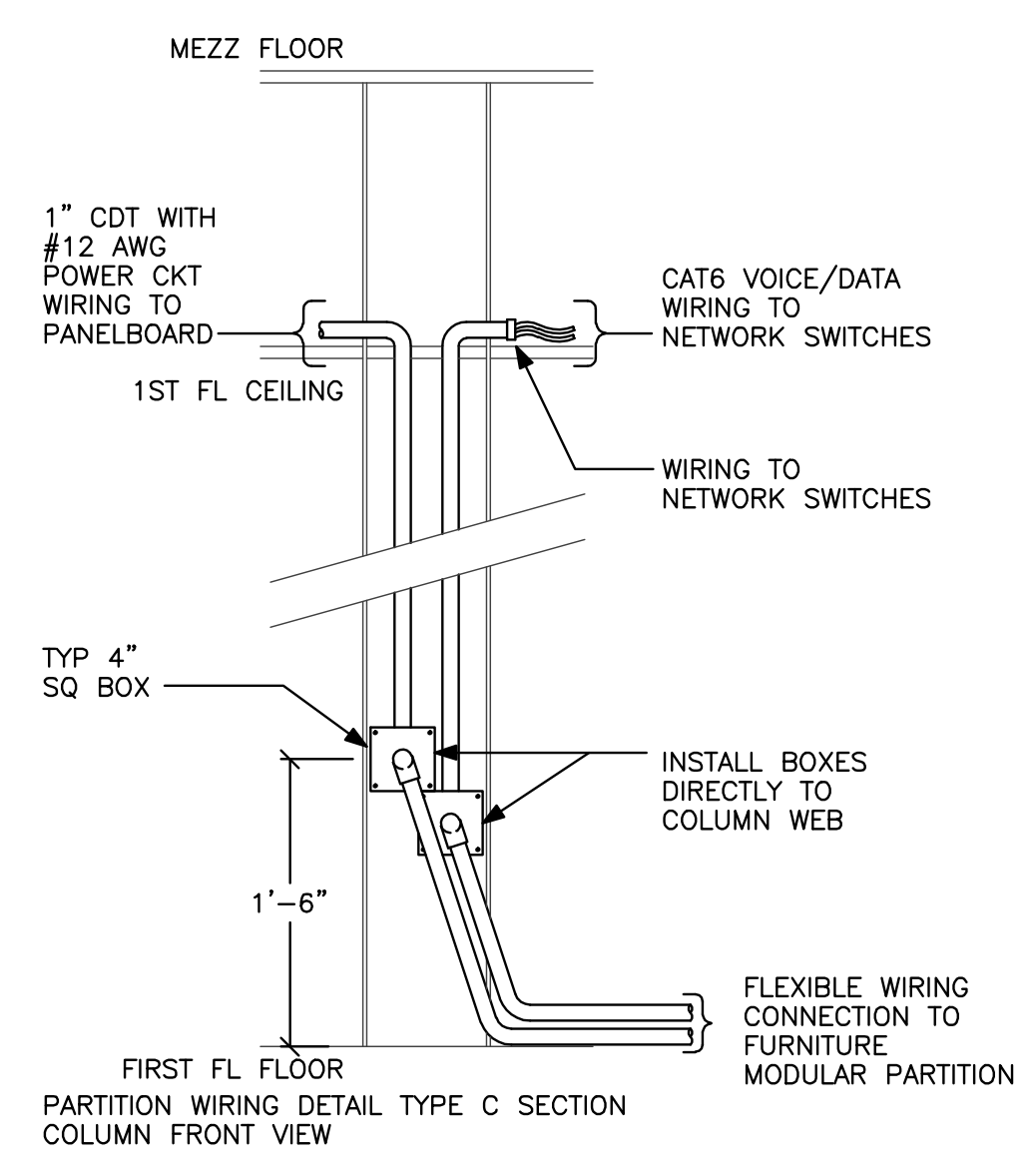
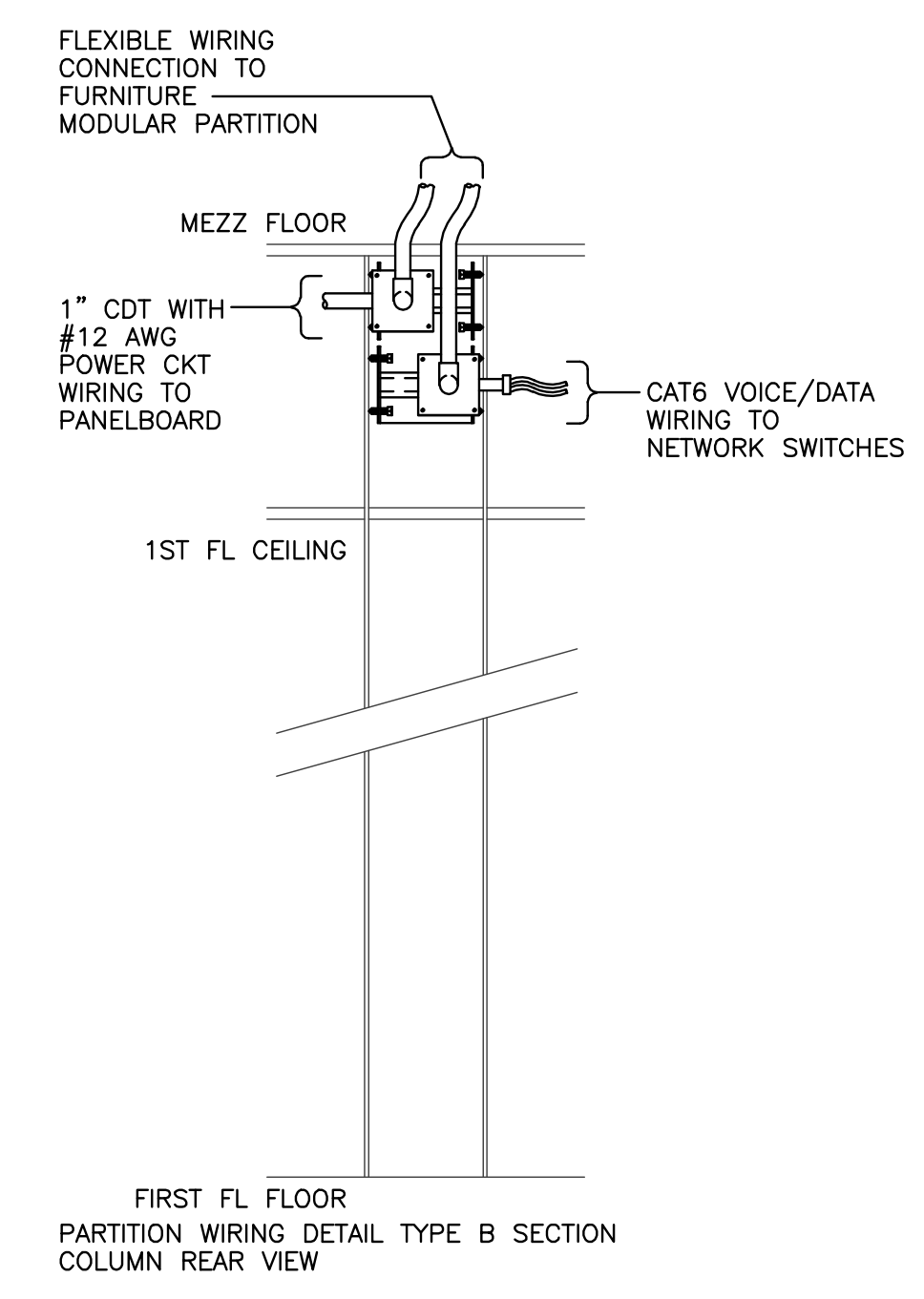
**Fore Solutions
386 Fore Street
Portland, Maine 04101**

**ELECTRICAL
PARTITION
WIRING DETAILS**

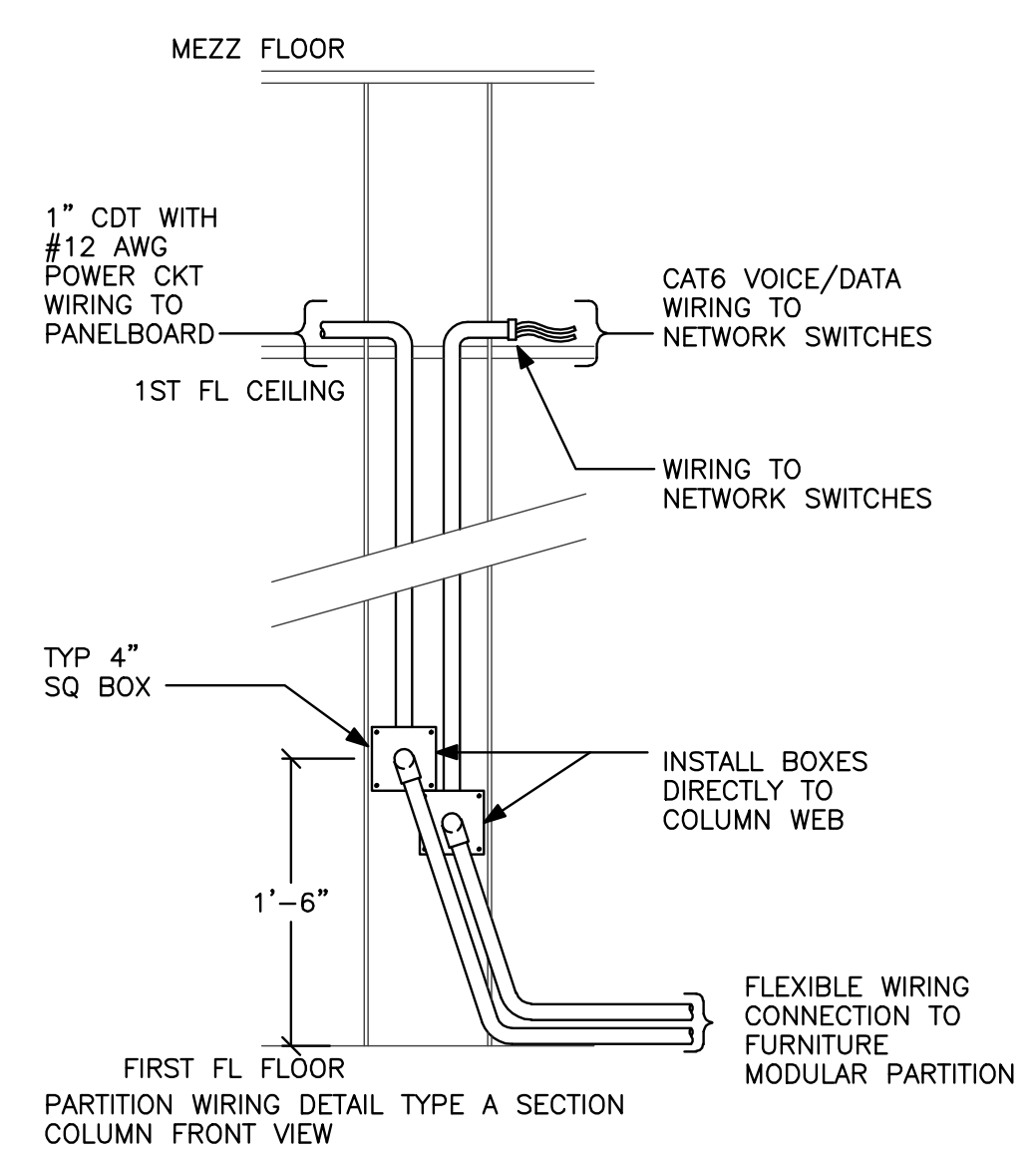
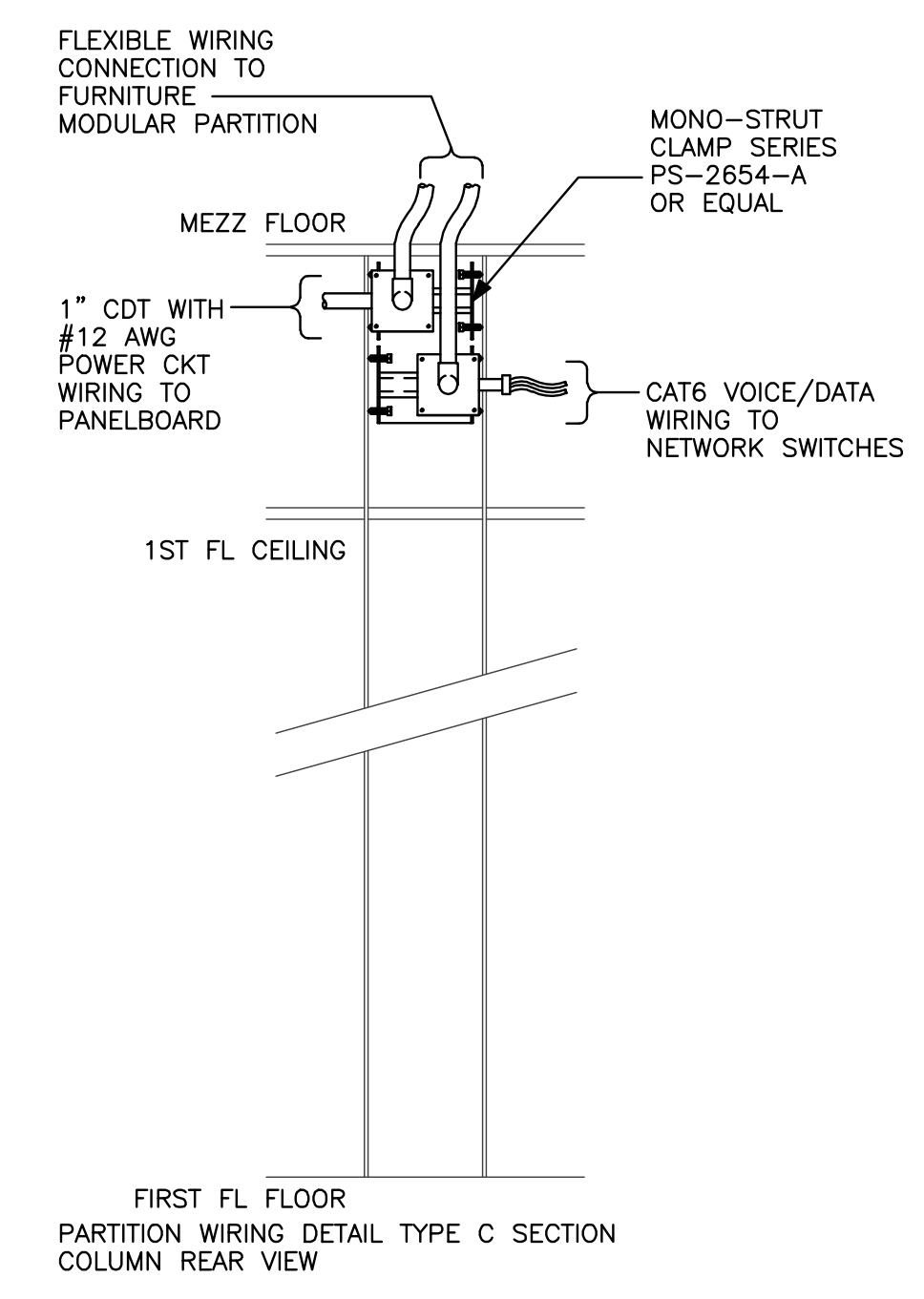
E3.1



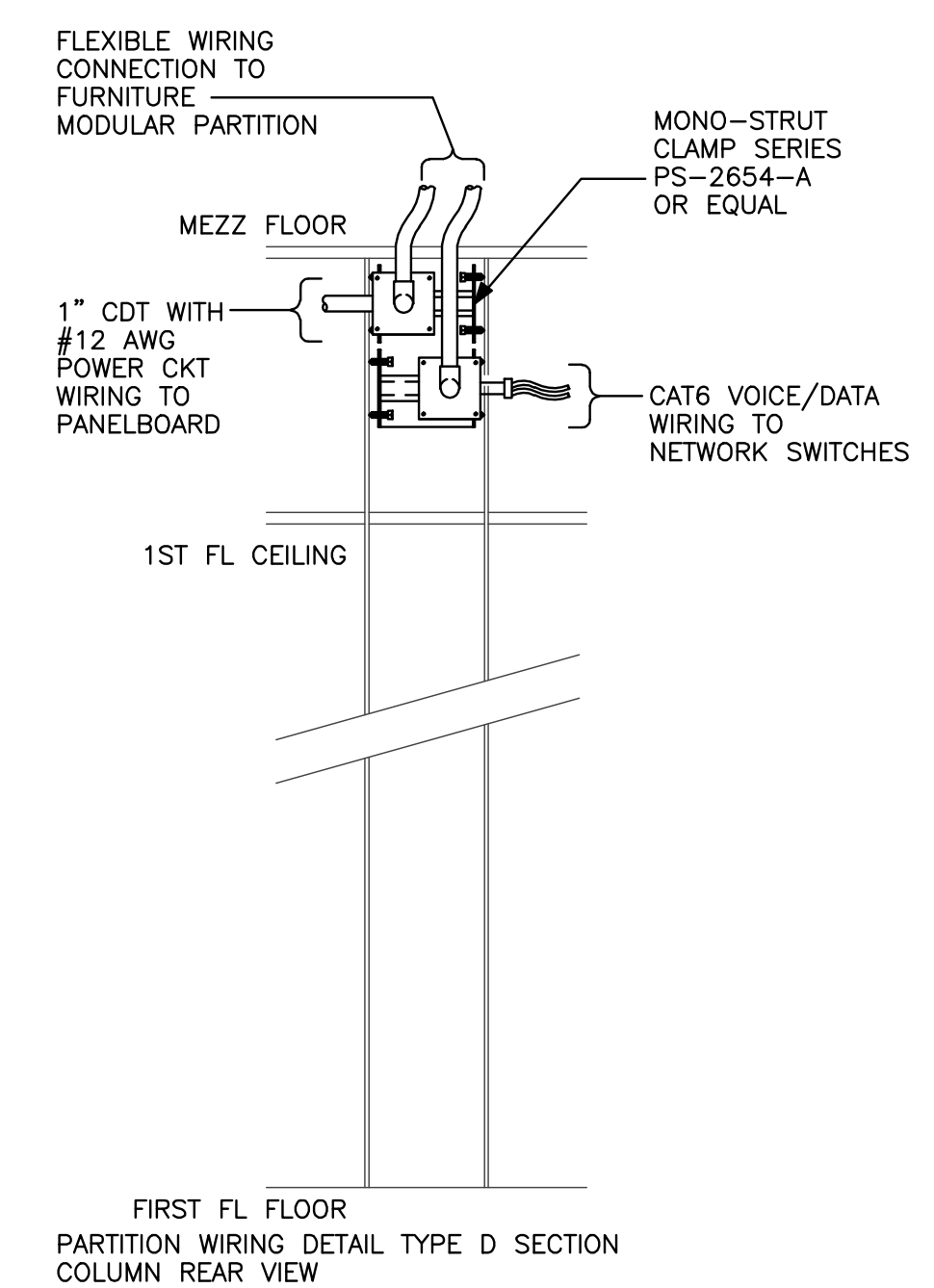
1
PARTITION WIRING DETAIL TYPE B
1" = 1'-0"



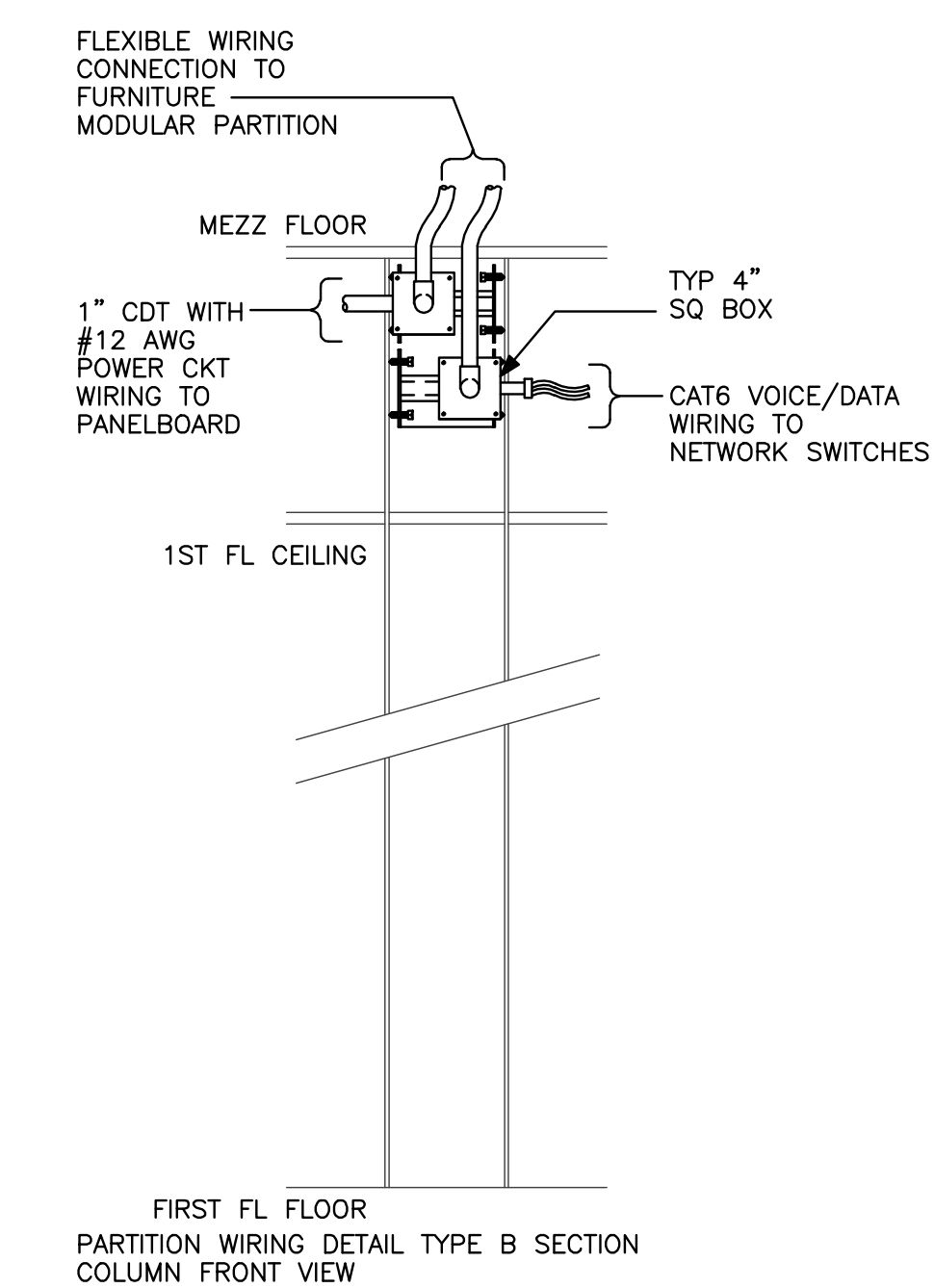
2
PARTITION WIRING DETAIL TYPE C
1" = 1'-0"



3
PARTITION WIRING DETAIL TYPE A
1" = 1'-0"



4
PARTITION WIRING DETAIL TYPE D
1" = 1'-0"



5
PARTITION WIRING DETAIL TYPE E
1" = 1'-0"

