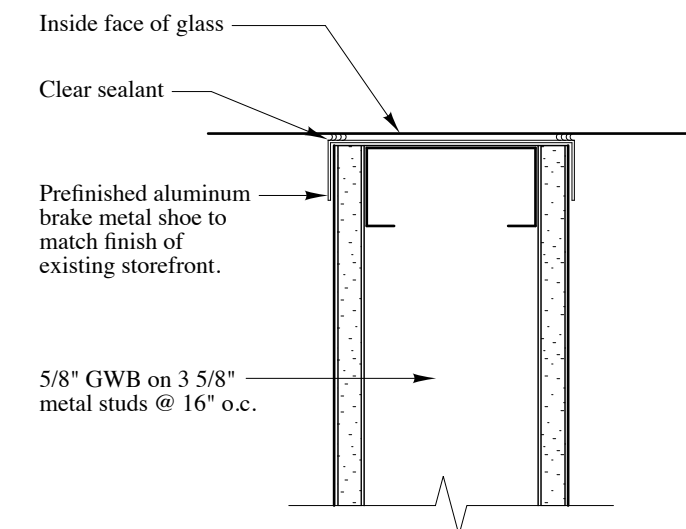


**2** Interior Storefront - 2" w x 4 1/2" d  
1/4" = 1'-0" frame - Typ.



**3** Partition Detail at Glass  
3" = 1'-0"