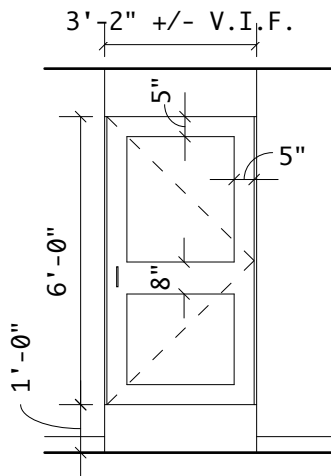


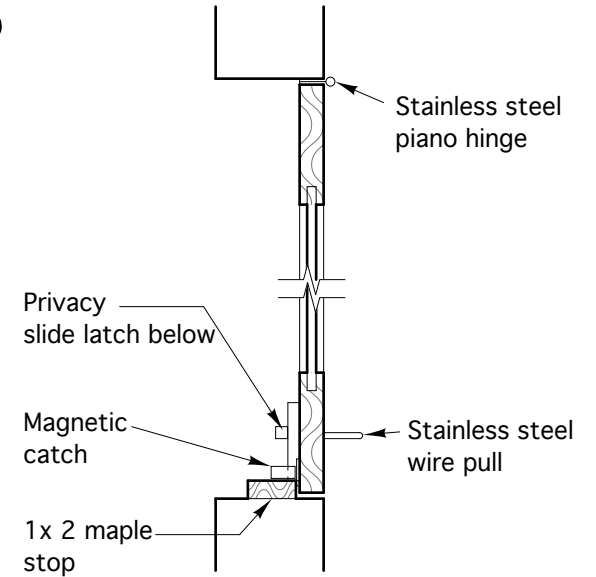
## PLAN

1/4" = 1'-0"



wood door consisting of 1" thick Maple stiles and rails with 3/8" Maple plywood panels- clear finished. Provide stainless steel continuous piano hinge and 5" stainless steel pull. Also provide magnetic catch and interior privacy latch

Install an out swinging door at each shower area entryway as shown. See details.



## ELEVATION

1/4" = 1'-0"

REVISED MAY 5, 2010

WINTON SCOTT ARCHITECTS, PA  
5 Milk Street  
Portland, Maine 04101  
207 774 4811

POWER PAY  
OFFICE FIT-UP

ASK 57

JANUARY 22, 2010