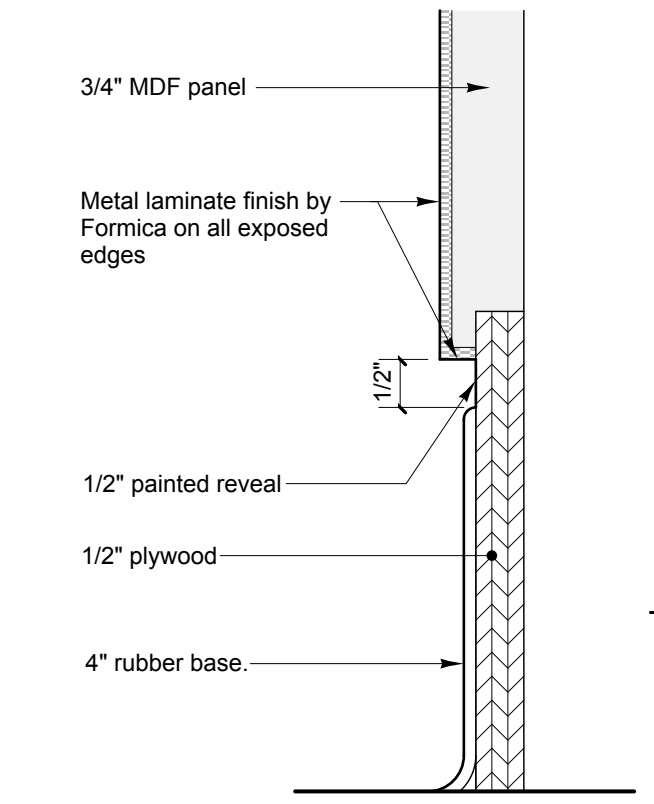
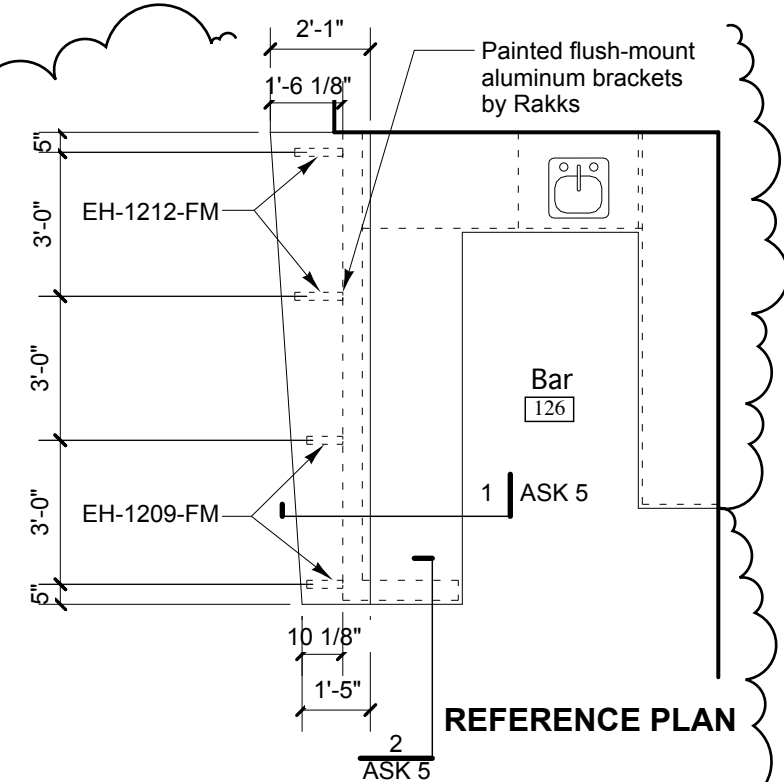
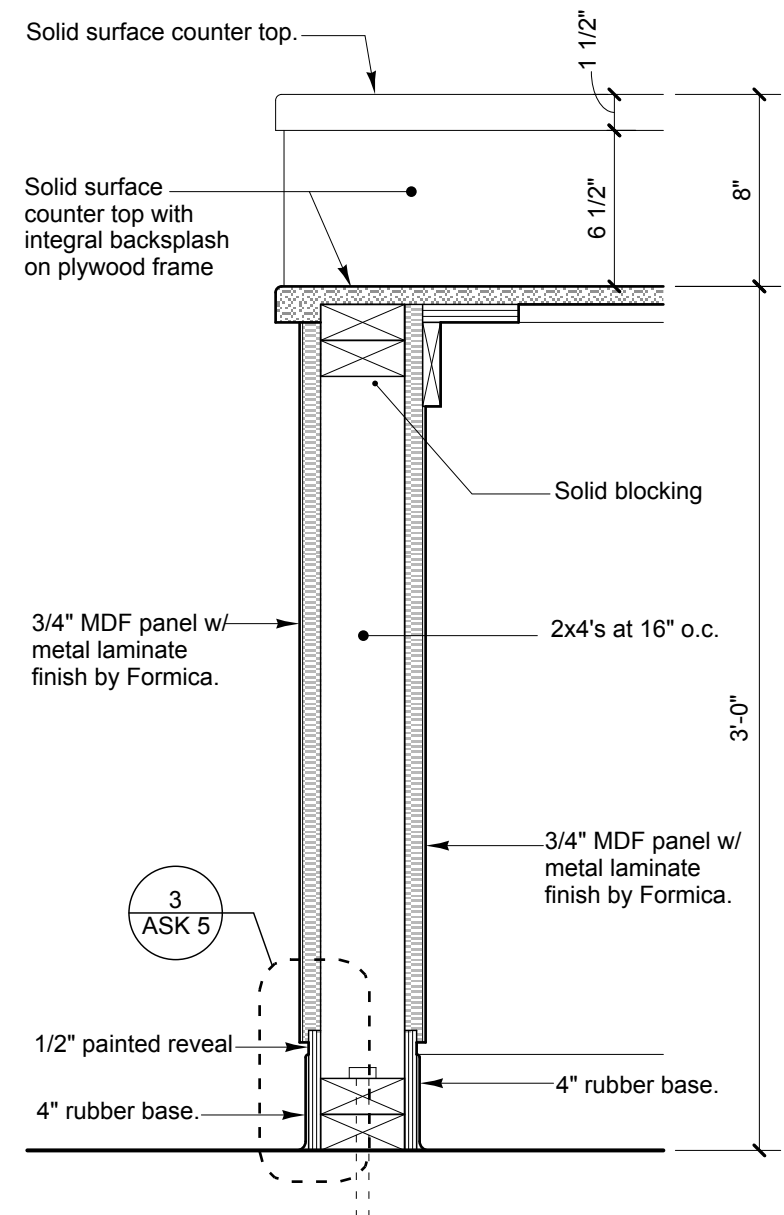
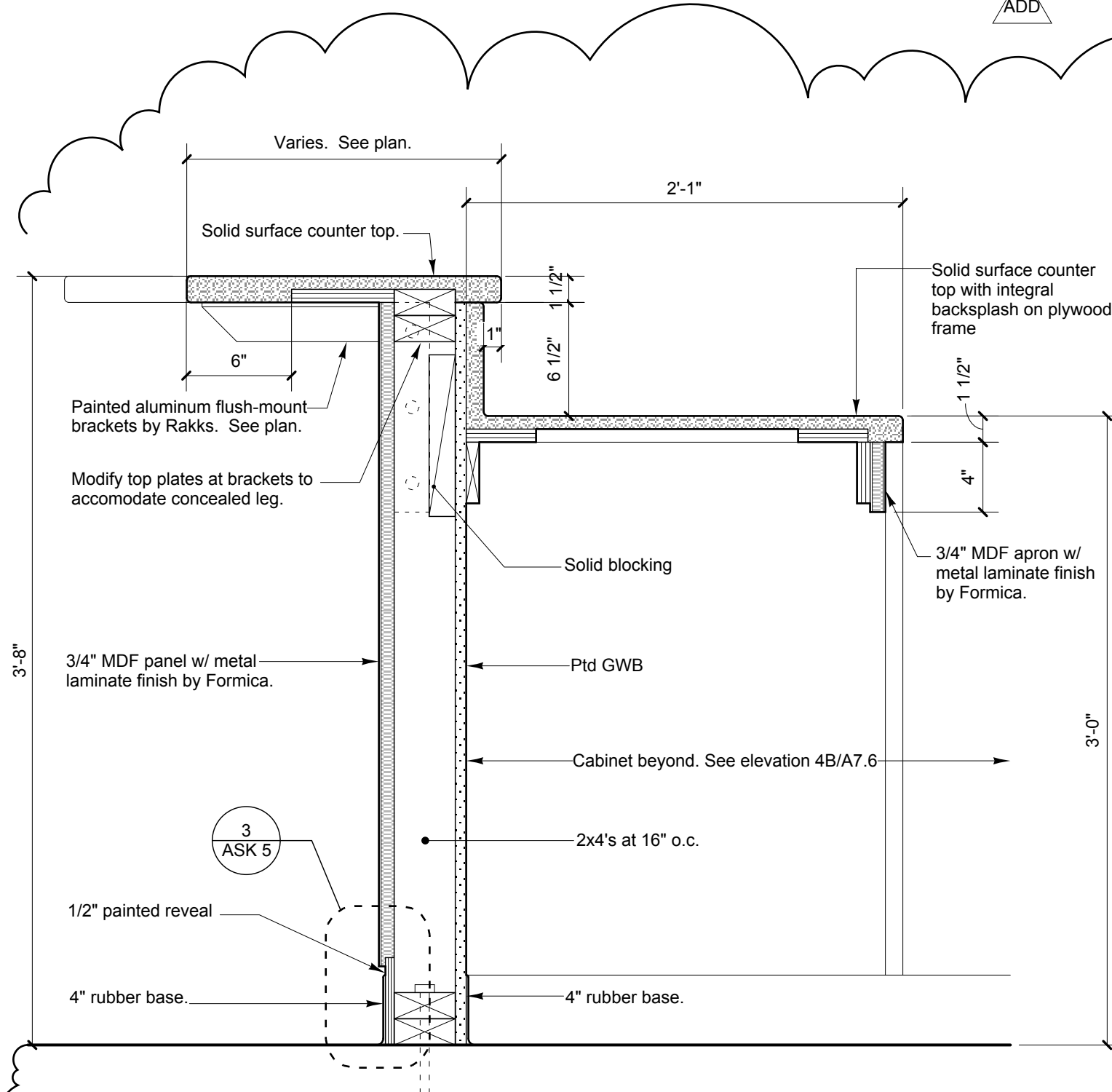


ADD



1 SECTION DETAIL BAR COUNTER
SCALE: 1 1/2" = 1'-0"

2 SECTION DETAIL BAR COUNTER
SCALE: 1 1/2" = 1'-0"

3 BASE DETAIL AT BAR
SCALE: 6" = 1'-0"