

**POWERPAY  
OFFICE FIT  
UP**

**Winton Scott  
Architects  
5 Milk Street  
Portland, ME 04101**

**Wright Ryan  
Construction, Inc.  
10 Danforth Street  
Portland, ME 04101**

**Becker Structural  
Engineers, Inc.  
75 York Street  
Portland, Maine 04101**

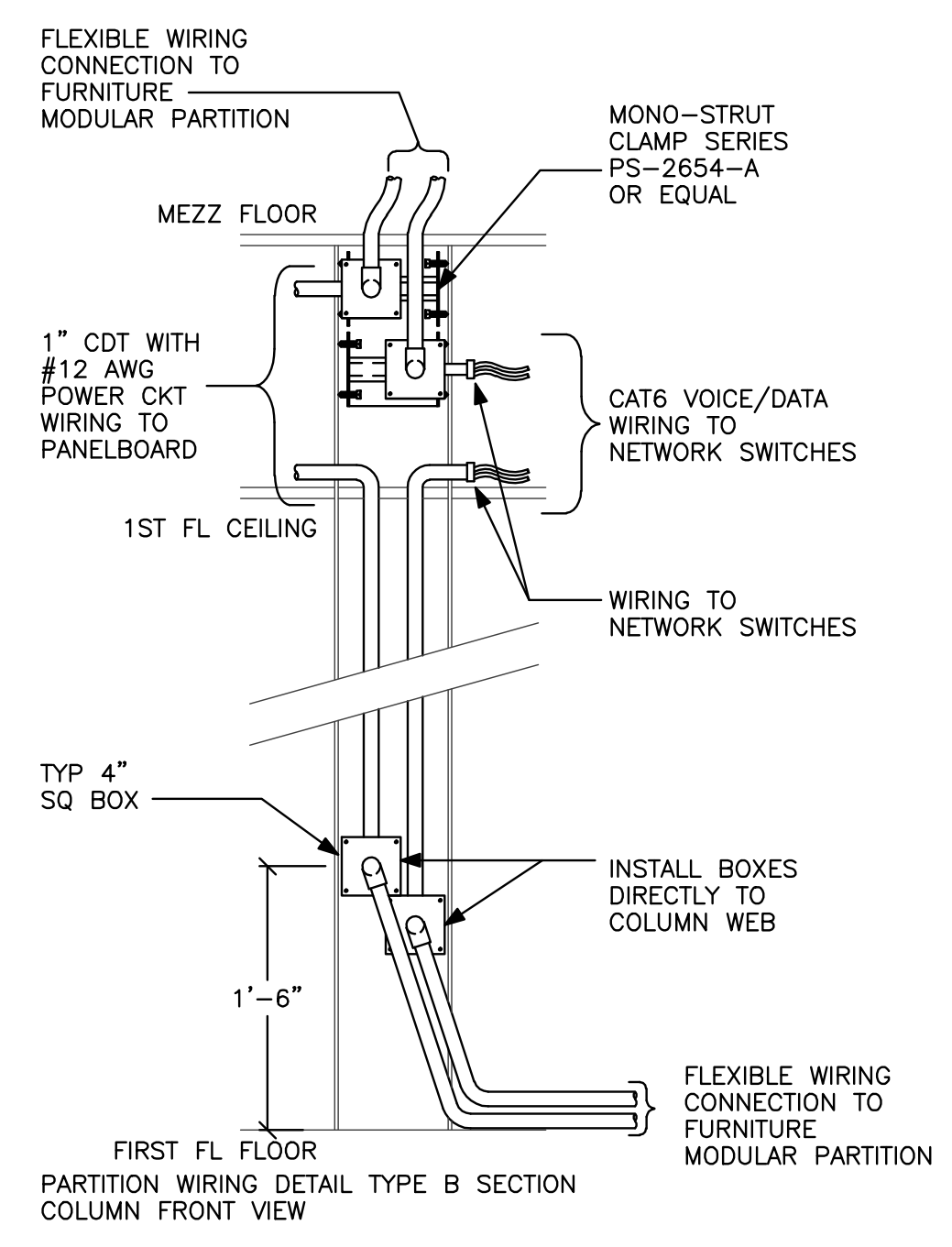
**Mechanical Systems  
Engineers  
10 Royal River Center  
Yarmouth, Maine 04096**

**Bartlett Design  
942 Washington St.  
Bath, Maine 04530**

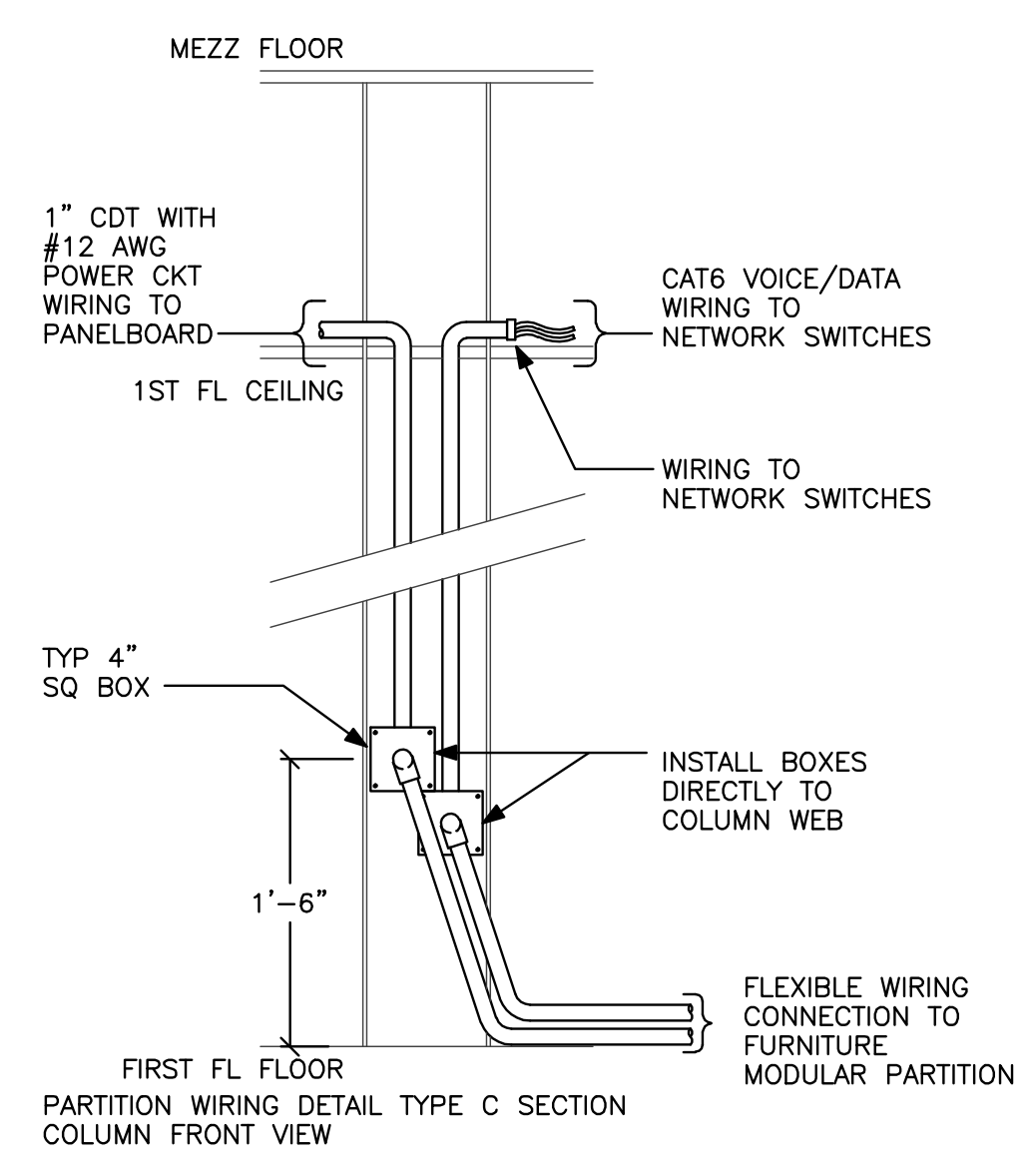
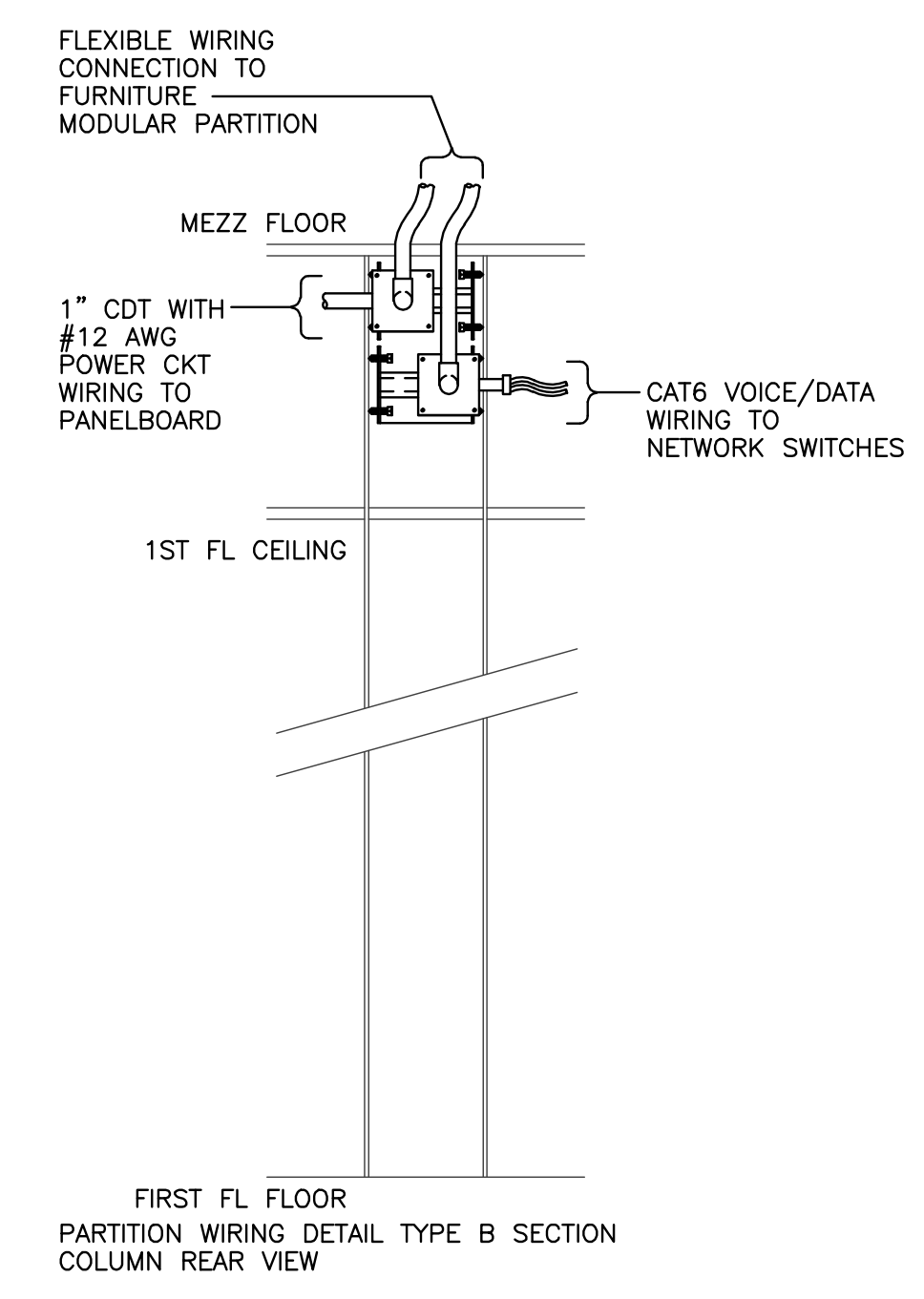
**Fore Solutions  
386 Fore Street  
Portland, Maine 04101**

**ELECTRICAL  
PARTITION  
WIRING DETAILS**

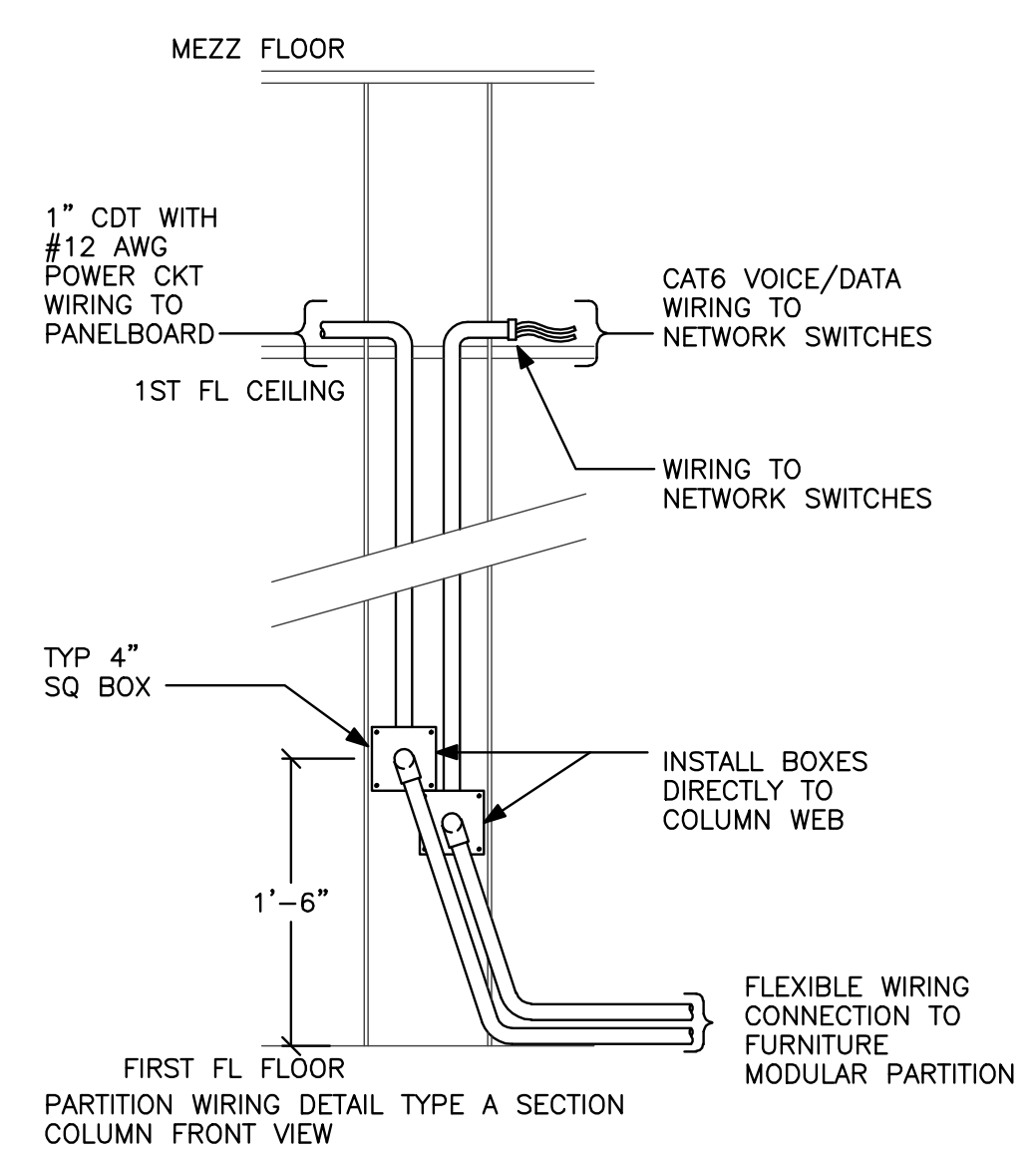
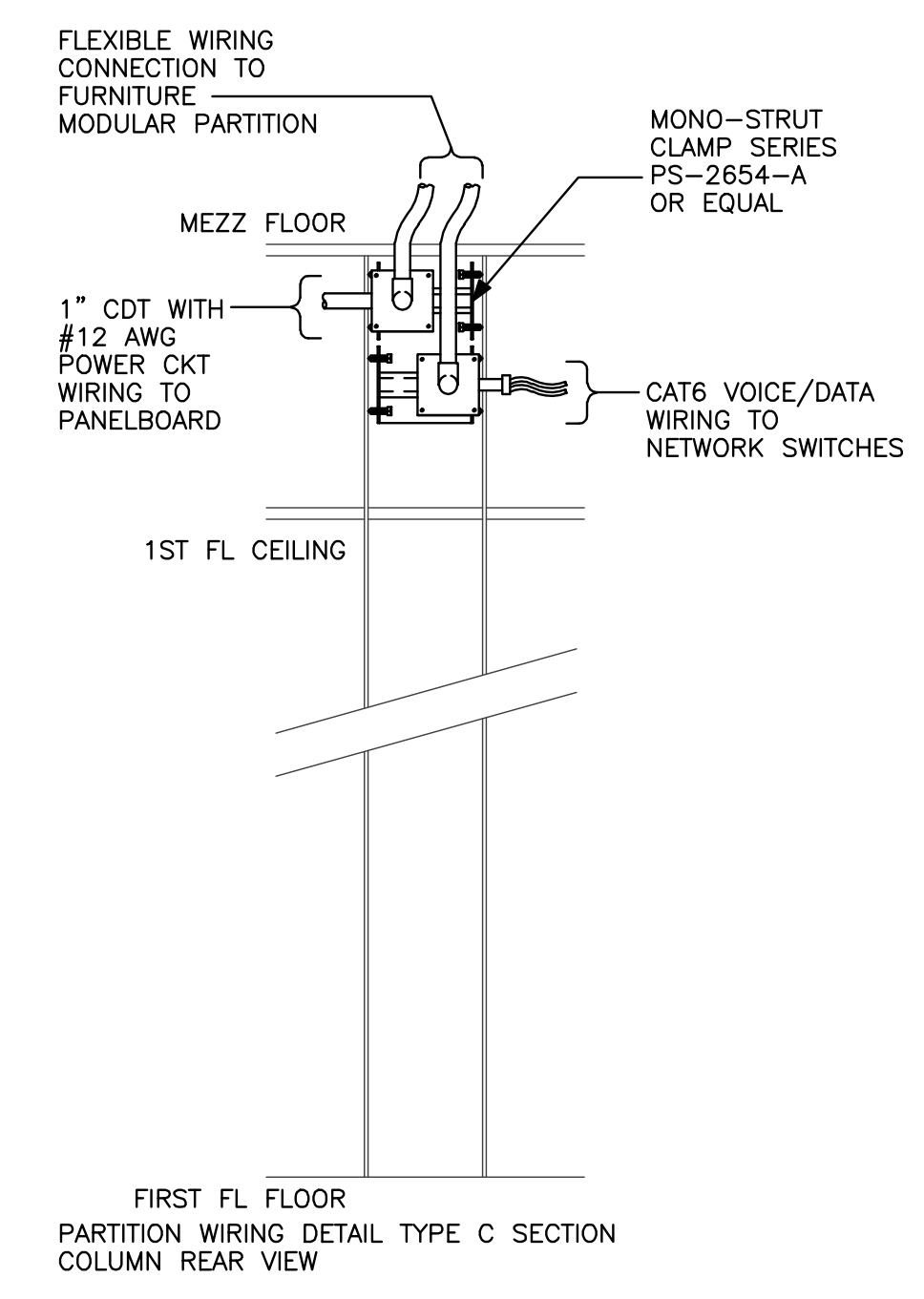
**E3.1**



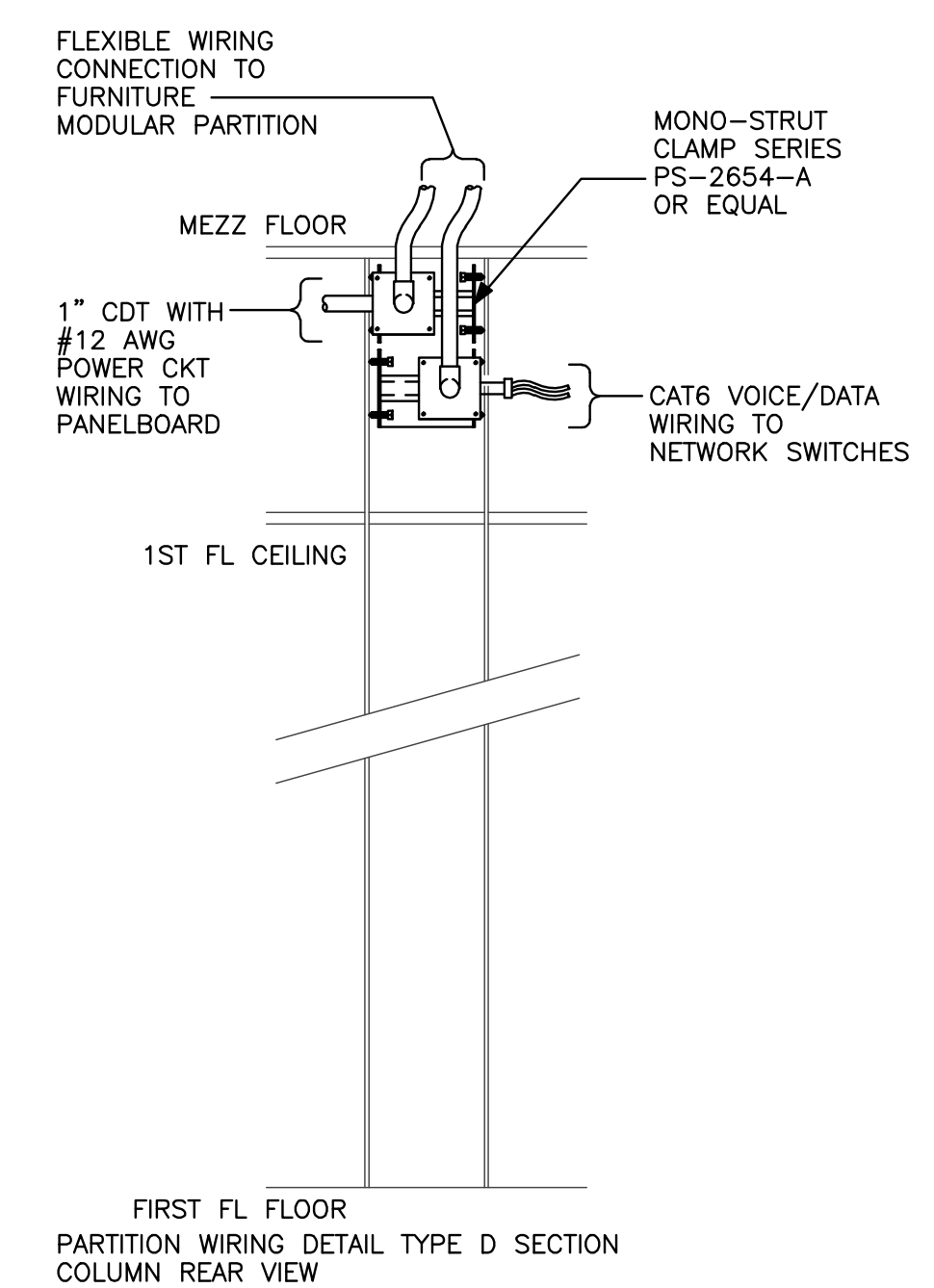
**1**  
PARTITION WIRING DETAIL TYPE B  
1" = 1'-0"



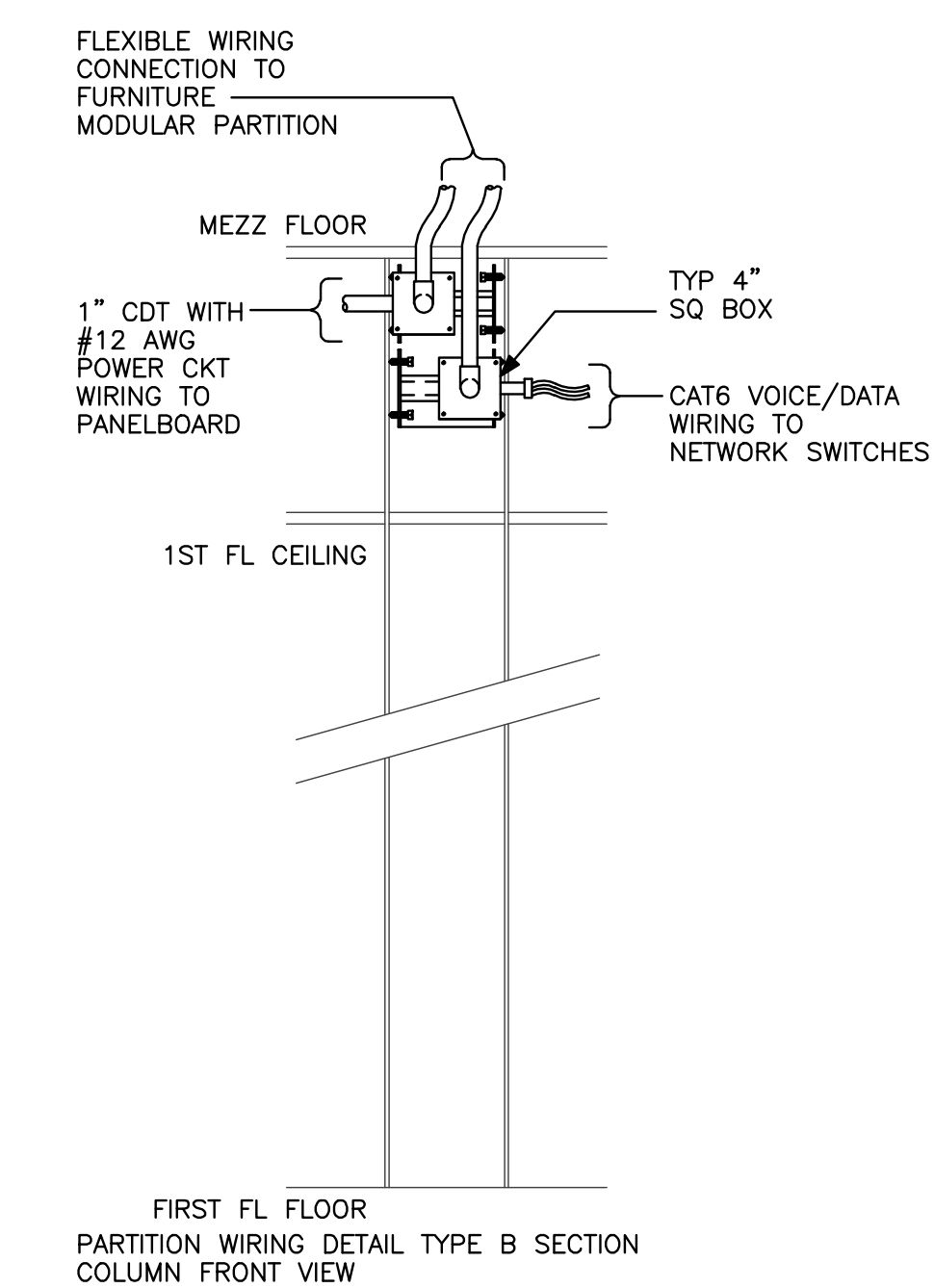
**2**  
PARTITION WIRING DETAIL TYPE C  
1" = 1'-0"



**3**  
PARTITION WIRING DETAIL TYPE A  
1" = 1'-0"



**4**  
PARTITION WIRING DETAIL TYPE D  
1" = 1'-0"



**5**  
PARTITION WIRING DETAIL TYPE E  
1" = 1'-0"

