

POWERPAY OFFICE FIT UP

Winton Scott Architects
5 Milk Street
Portland, ME 04101

Wright Ryan Construction, Inc.
10 Danforth Street
Portland, ME 04101

Becker Structural Engineers, Inc.
75 York Street
Portland, Maine 04101

Mechanical Systems Engineers
10 Royal River Center
Yarmouth, Maine 04096

Bartlett Design
942 Washington St.
Bath, Maine 04530

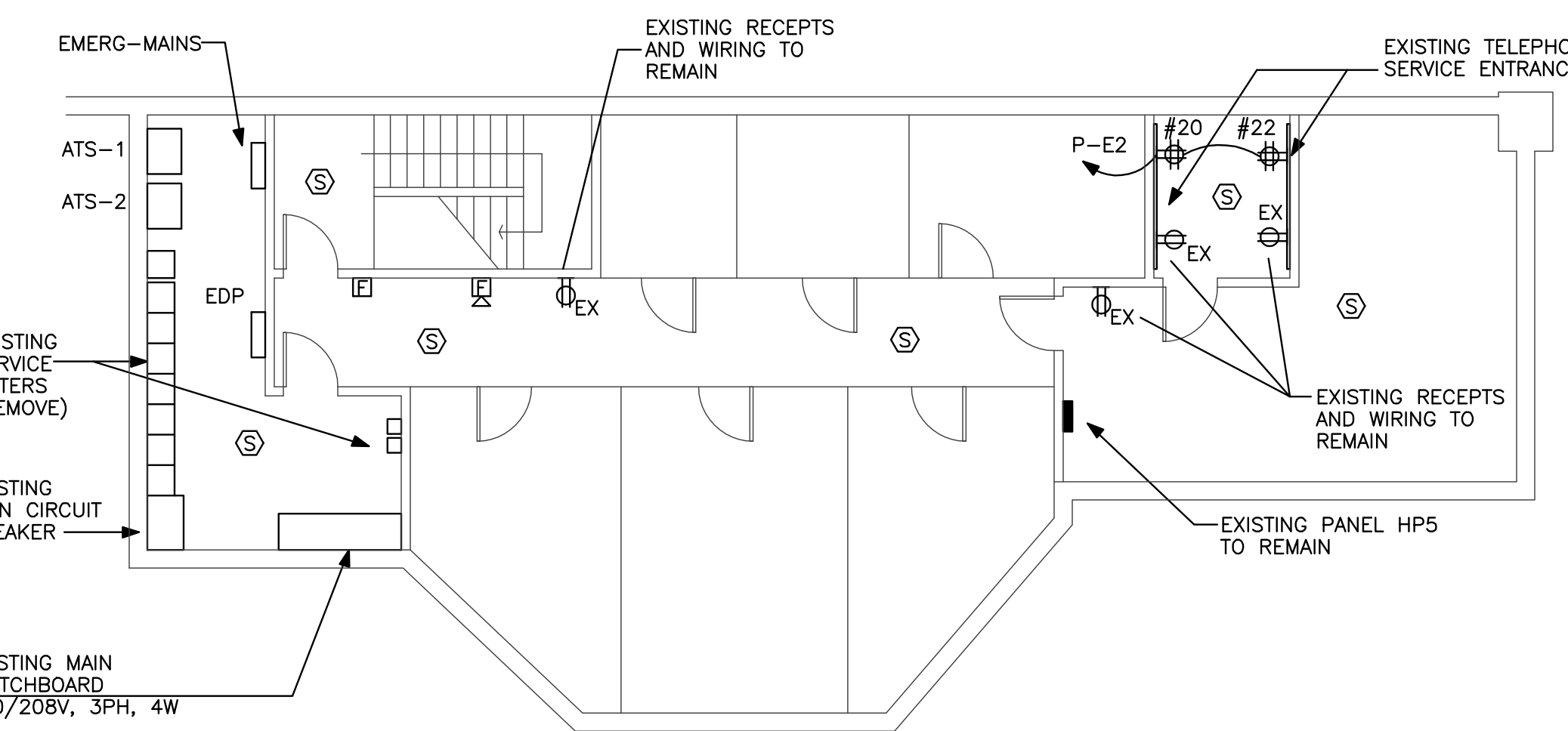
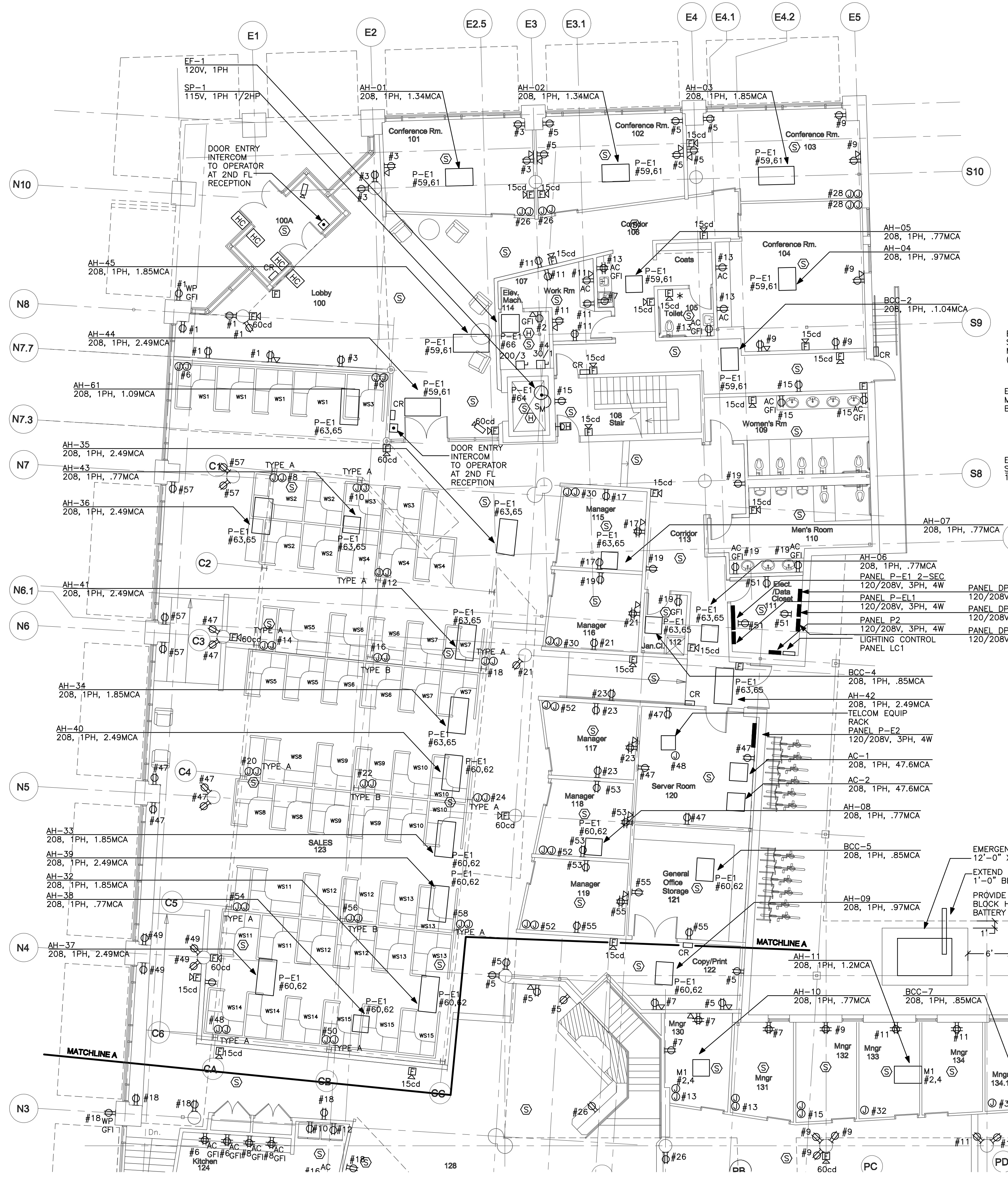
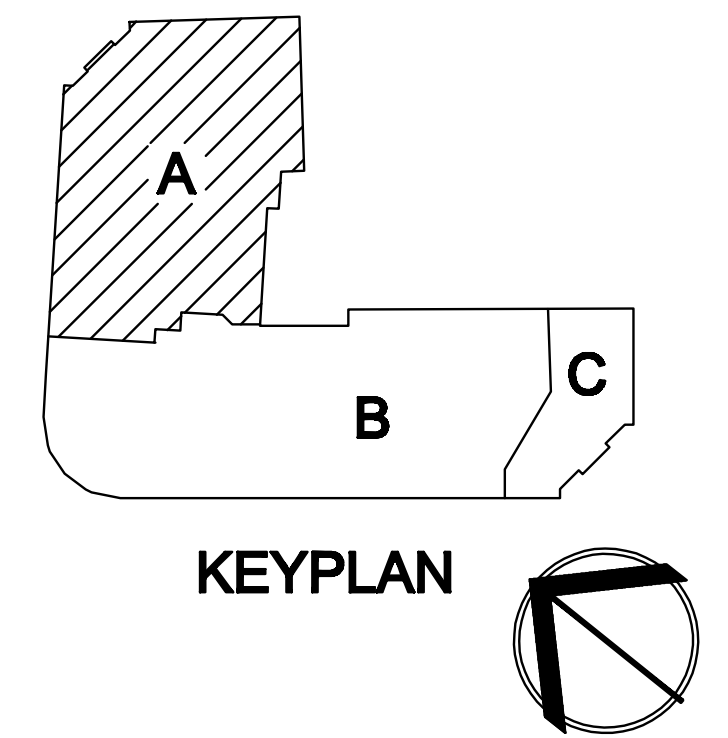
Fore Solutions
386 Fore Street
Portland, Maine 04101

FIRST FLOOR POWER PLAN-PART A

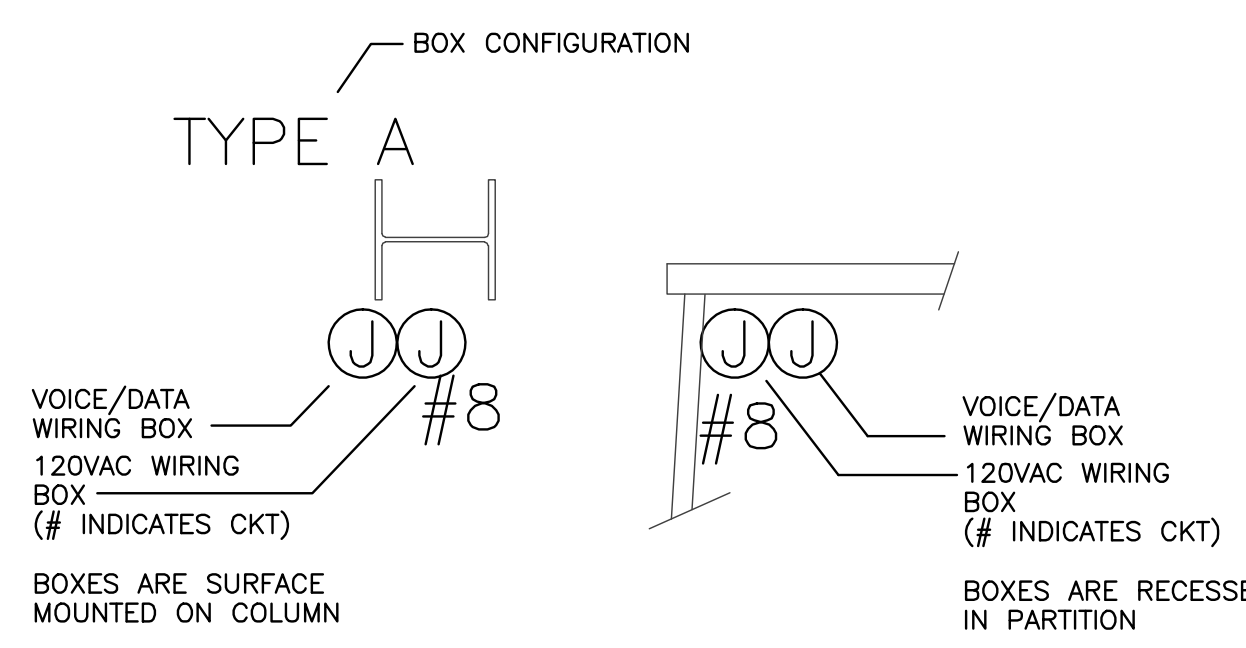
E1.1

Scale: 1/8" = 1'-0" Date: 03-20-09

- FIRST FLOOR POWER PLAN PART A NOTES:
1. CIRCUIT DESIGNATIONS LOCATED IN PLAN AREA A REFER TO PANEL P-E1.
 2. VOICE/DATA WIRING FROM OUTLETS SHALL BE EXTENDED TO NETWORK SWITCHES LOCATED IN THE CEILING SPACE BETWEEN THE FIRST FLOOR AND THE MEZZANINE. SEE SHEET E1.3 FOR KEY PLANS DESIGNATING SHOWING BUILDING AREA GROUPS AND THEIR ASSOCIATED NETWORK SWITCHES AS WELL AS CIRCUITING INFORMATION FOR NETWORK SWITCHES.
 3. WORKSTATIONS LOCATED IN PLAN AREA A SHALL BE CIRCUITED TO PANEL P-E1.



1 BASEMENT POWER PLAN
1/8" = 1'-0"



3 FURNITURE PARTITION WIRING KEY
NOT TO SCALE

- FURNITURE PARTITION WIRING KEY NOTES:
1. SEE SHEET E3.1 FOR COLUMN WIRING DETAILS TYPES A THROUGH E.
 2. MAKE ALL WIRING CONNECTIONS TO OWNER'S FURNITURE PARTITIONS. SEE SHEET E1.3 DETAILS 1 AND 2 FOR QUANTITY OF LOCAL VOICE/DATA WIRING CONNECTIONS PER WORKSTATION.

EMERGENCY GENERATOR ON 12'-0" X 8'-0" CONC PAD
EXTEND EXHAUST PIPE 1'-0" BEYOND PLATFORM
PROVIDE A 120VAC CKT FOR: BLOCK HEATER P-E1 #67 BATTERY CHARGER P-E1 #69

2 FIRST FLOOR POWER PLAN - PART A
1/8" = 1'-0"