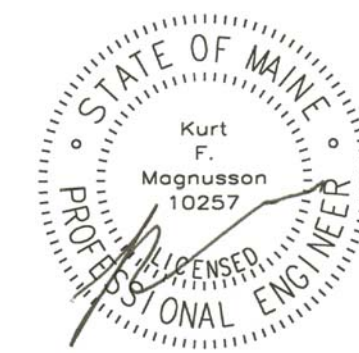


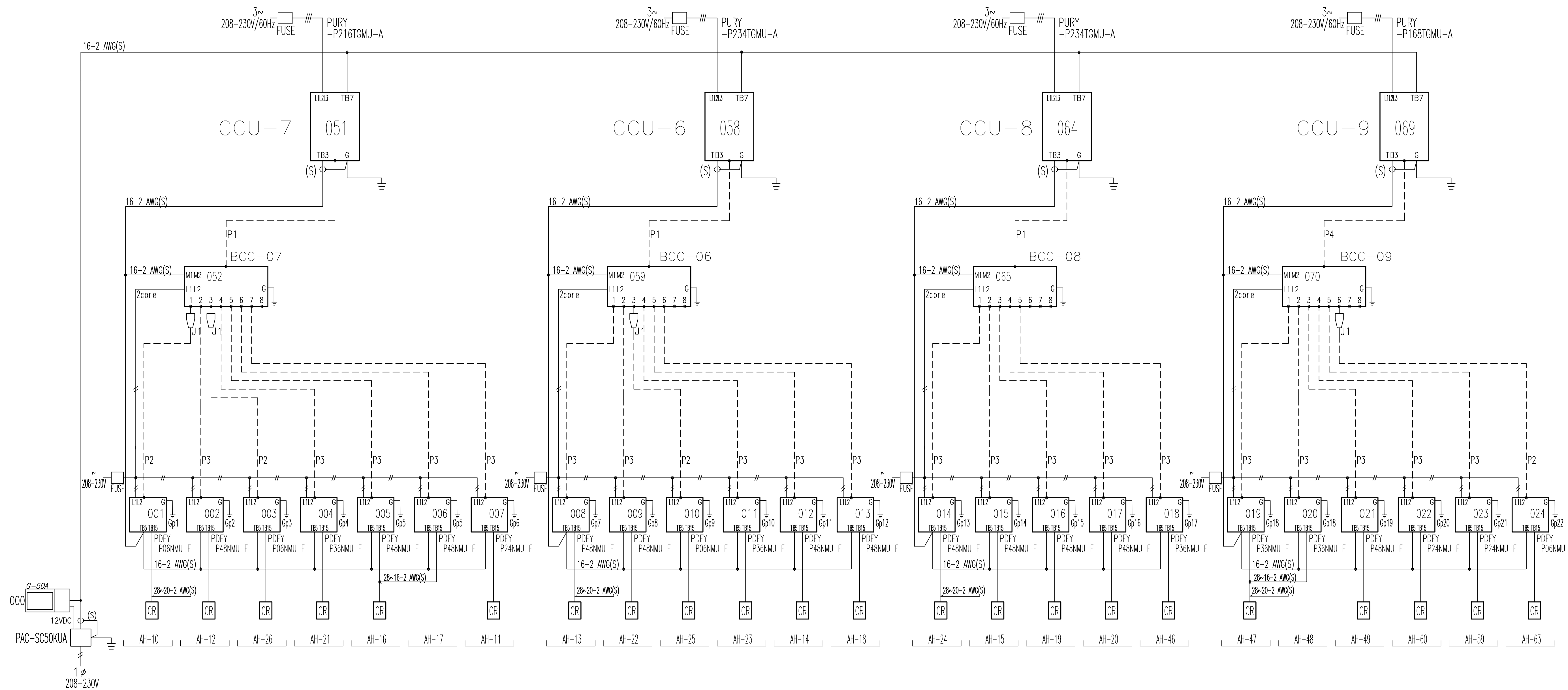
DIAGRAM SYMBOL	LEGEND DESCRIPTION
///	POWER WIRE
---	CONTROL WIRE
---	REF. PIPE

PIPING LIST		
SYMBOL	BRANCH PIPE	MODEL NAME
J1	Reducer	
SYMBOL	LIQUID PIPE/GAS PIPE SIZE	
P1	1.1/8	1.1/8
P2	1/4	1/2
P3	3/8	5/8
P4	7/8	1.1/8

A pipe of 1inch may be used for the High press pipe.



# POWER PAY OFFICE FIT UP



Winton Scott  
Architects  
5 Milk Street  
Portland, Maine 04101

Wright Ryan  
Construction, Inc.  
10 Danforth Street  
Portland, Maine 04101

Becker Structural  
Engineers, Inc.  
75 York Street  
Portland, Maine 04101

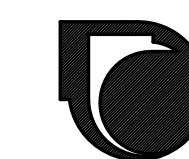
Mechanical  
Systems  
Engineers  
10 Royal River Center  
Yarmouth, Maine 04096

Bartlett Design  
942 Washington Ave.  
Bath, Maine 04530

Fore Solutions  
386 Fore Street  
Portland, Maine 04101

HEAT PUMP  
SYSTEM  
DIAGRAMS

# M13



MECHANICAL SYSTEMS ENGINEERS  
ROYAL RIVER CENTER, UNIT #10  
10 FOREST FALLS DRIVE  
YARMOUTH, MAINE 04096  
VOICE: (207) 846-1441  
FAX: (207) 846-1443  
mechsyst@maine.net.com  
© COPYRIGHT 2009

Scale: As Noted Date: 03.20.09  
M.S.E. Proj: 0837