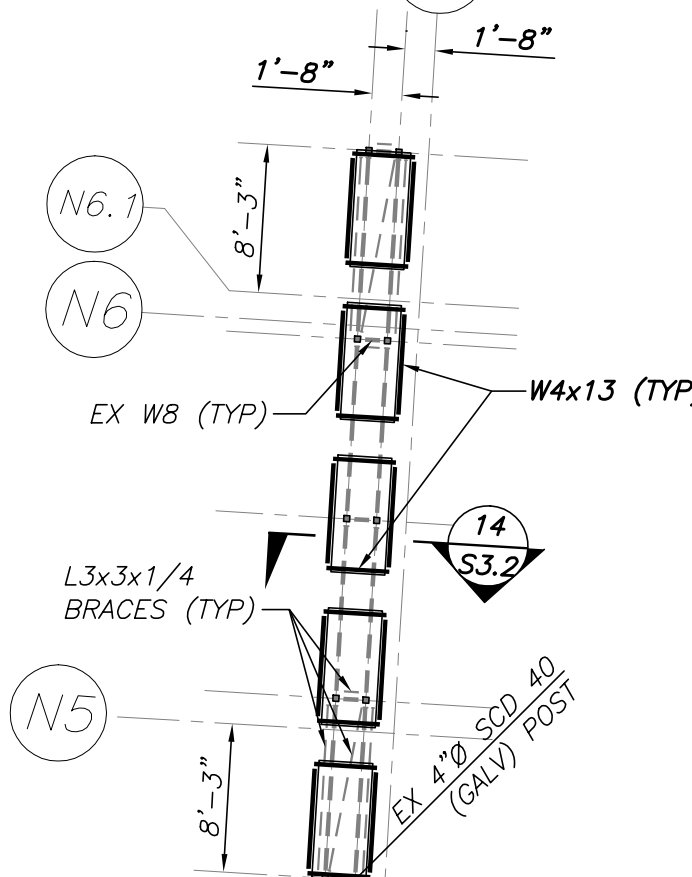
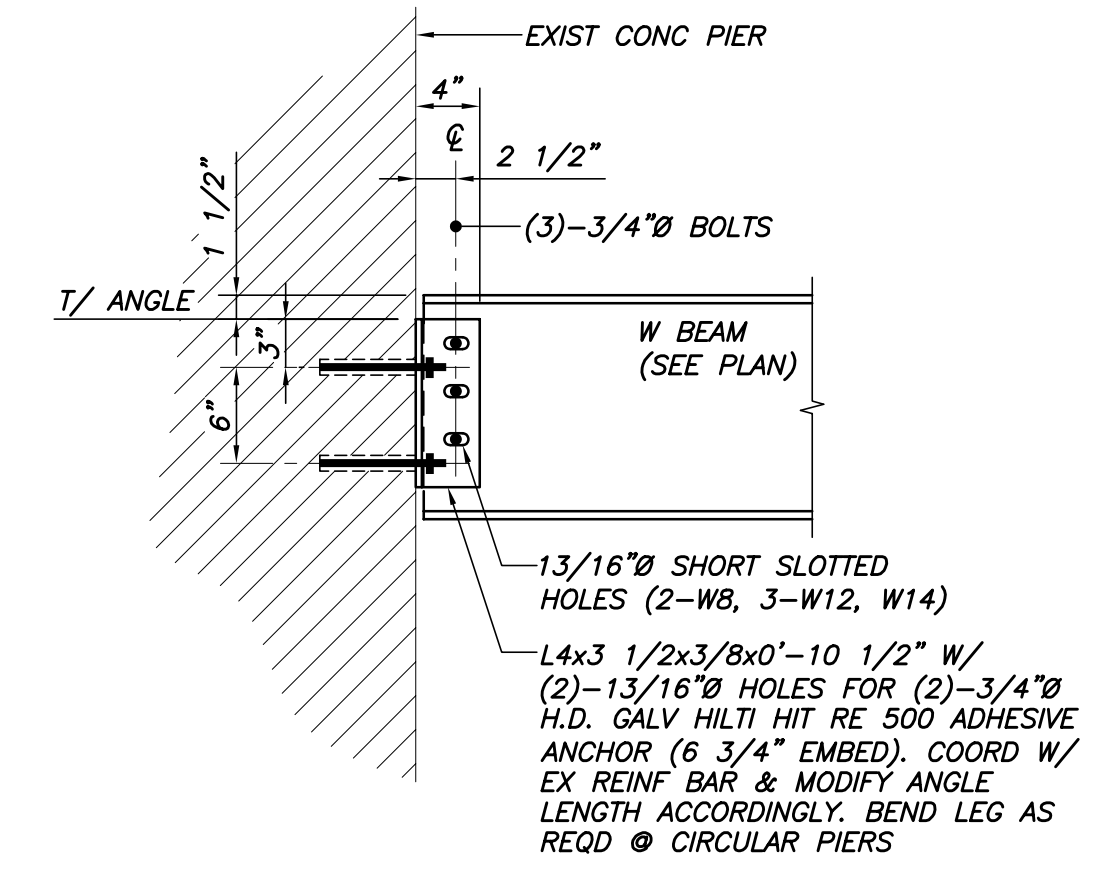


SINGLE ANGLE SCHEDULE		
NEW BM	L	# OF BOLTS
WB-W10	6"	2
W12-W14	9"	3
W16	12"	4

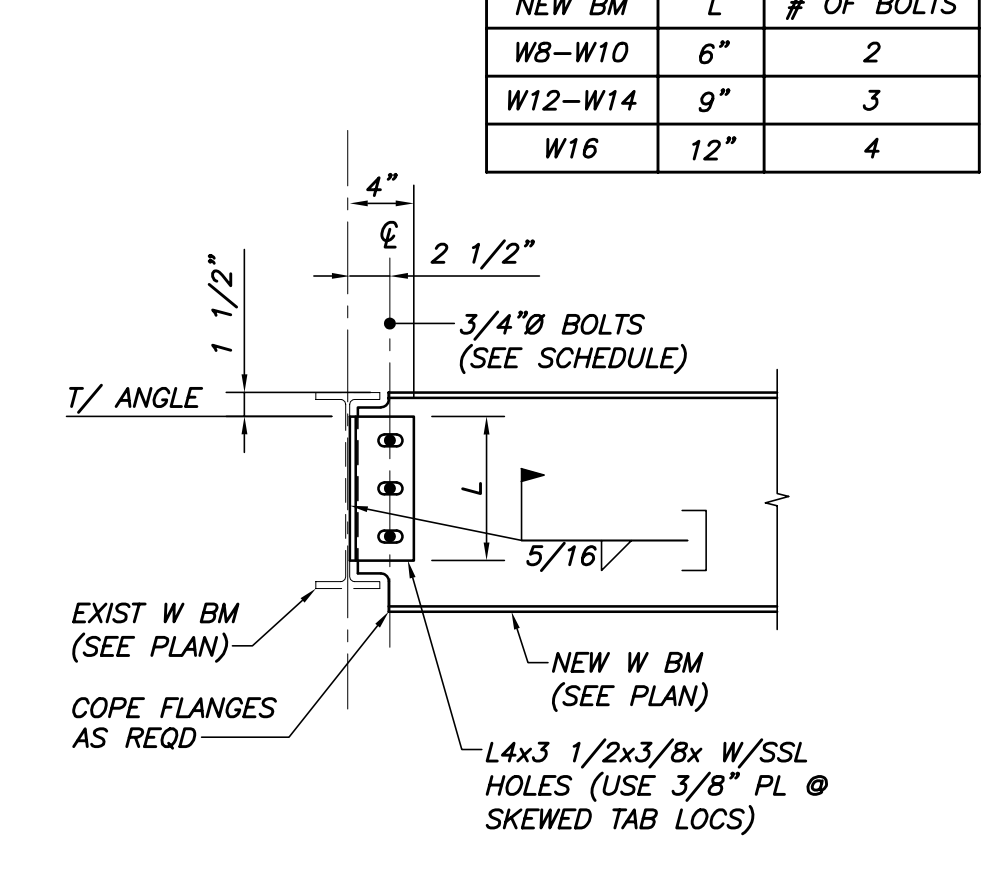


EX FRAME #2 PLAN

ALL STEEL ABV ROOF TO BE H.D. GALV. ANY MODIFICATIONS TO EXIST STEEL MEMBERS SHALL RECEIVE COATING OF ZRC COLD GALVANIZING COMPOUND. SEE MANUF FOR COATING REQUIREMENTS.



TYP SINGLE ANGLE CONN TO EXIST CONC PIER DETAIL
N.T.S.

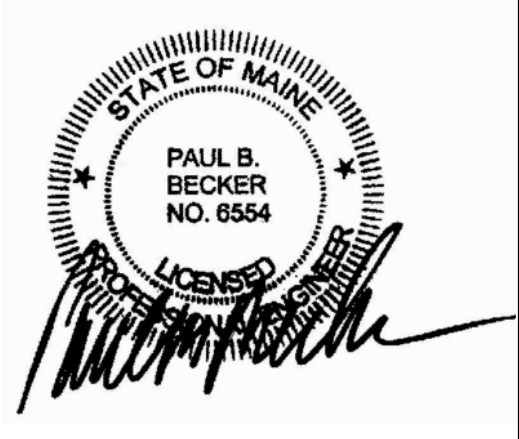


TYP SINGLE ANGLE CONN TO EXIST W BM DETAIL
N.T.S.

MEZZANINE LEVEL FRAMING PLAN
3/32"=1'-0"

- NOTES:
- G.C. VERIFY EXISTING CONDITIONS & NOTIFY ARCH OF ANY DISCREPANCIES W/ DESIGN INTENT.
 - INDICATES SPAN DIRECTION OF 4" CONC SLAB ON 2.0VLI20 GA COMP DECK (2" CONC ON 2" DECK). REINF W/6x6-W2.1xW2.1 W.W.F. U.N.O.
 - INDICATES SPAN DIRECTION OF 3 1/2" CONC SLAB ON 1.5VLI18 GA COMP DECK (2" CONC ON 1 1/2" DECK). REINF W/6x6-W2.1xW2.1 W.W.F.
 - T/STL EL 76'-8", U.N.O. BY (+4"), (-8") ETC.
 - T/CONC SLAB EL 76'-11 1/2", U.N.O.
 - EVENLY SPACE BEAMS IN EX. U.N.O. ON PLAN.
 - INDICATES DECK PENETRATION. SEE TYPICAL DETAILS DWG S3.1. SEE MECH FOR LOCATIONS. COORD LOCATIONS AROUND EXISTING FRAMING AS RECD.
 - WB INDICATES LOCATION OF WBx10.
 - INDICATES LOCATION OF SINGLE ANGLE CONN TO EXIST STRUCTURE. SEE TYP DETAILS THIS DWG.
 - ALL EXPANSION JOINTS (EXP JT) NOTED ON PLAN SHALL ALLOW 4" OF MOVEMENT.
 - EVENLY SPACE BEAMS IN EX. U.N.O. ON PLAN.
 - COLUMN CAP PLATES SHALL BE 1/4" THICK TYP. U.N.O.

NOTE: PRIOR TO SHOP DRAWING SUBMITTALS, G.C. SHALL FIELD VERIFY ALL EXIST CONDITIONS INCLUDING BUT NOT LIMITED TO SIZES, DIMENSIONS AND ELEVATIONS OF EXIST STRUCTURES AT INTERFACE OF NEW STRUCTURE. G.C. SHALL NOTIFY ARCHITECT/STRUCTURAL ENGINEER OF ANY DISCREPANCIES WITH DESIGN INTENT



POWERPAY OFFICE FIT UP

Winton Scott
Architects
5 Milk Street
Portland, ME 04101

Wright Ryan
Construction, Inc.
10 Danforth Street
Portland, ME 04101

Becker Structural
Engineers, Inc.
75 York Street
Portland, Maine 04101

Mechanical
Systems
Engineers
10 Royal River Center
Yarmouth, Maine 04096

Bartlett Design
942 Washington Ave.
Bath, Maine 04530

Fore Solutions
386 Fore Street
Portland, Maine 04101

MEZZANINE LEVEL FRAMING PLAN

S1.2