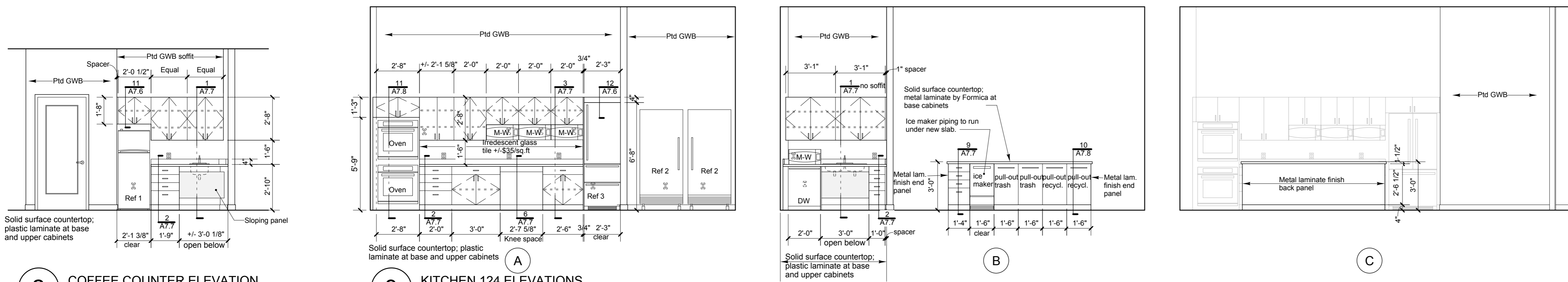


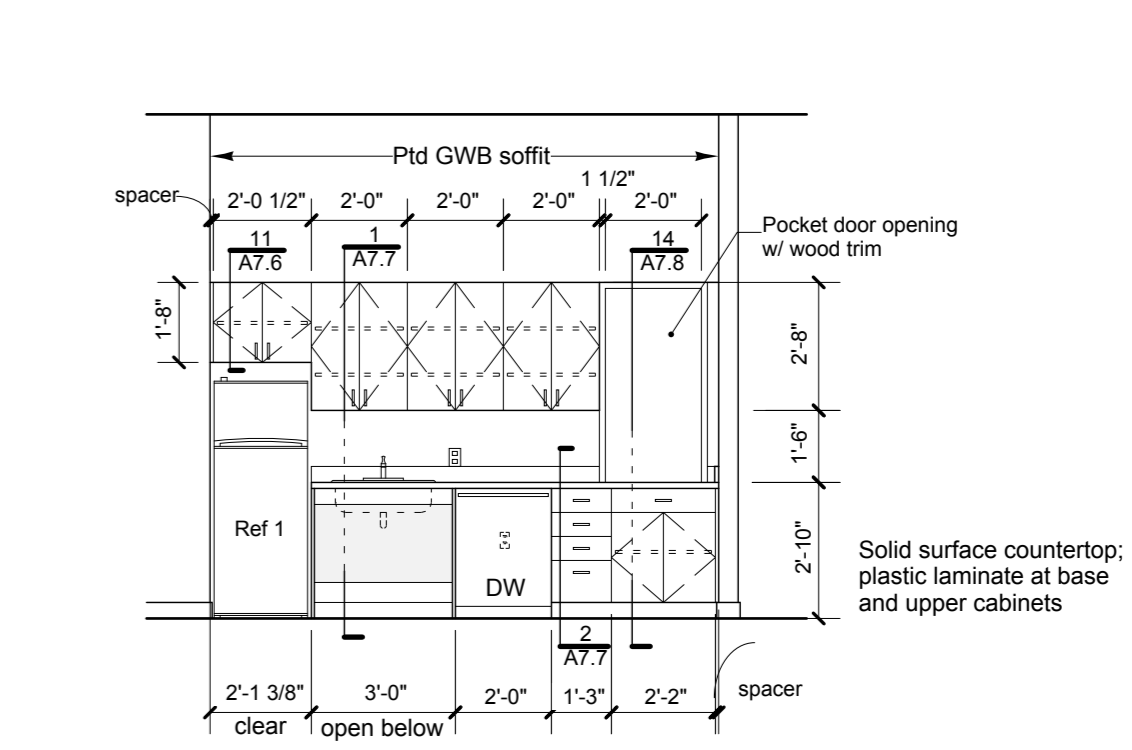
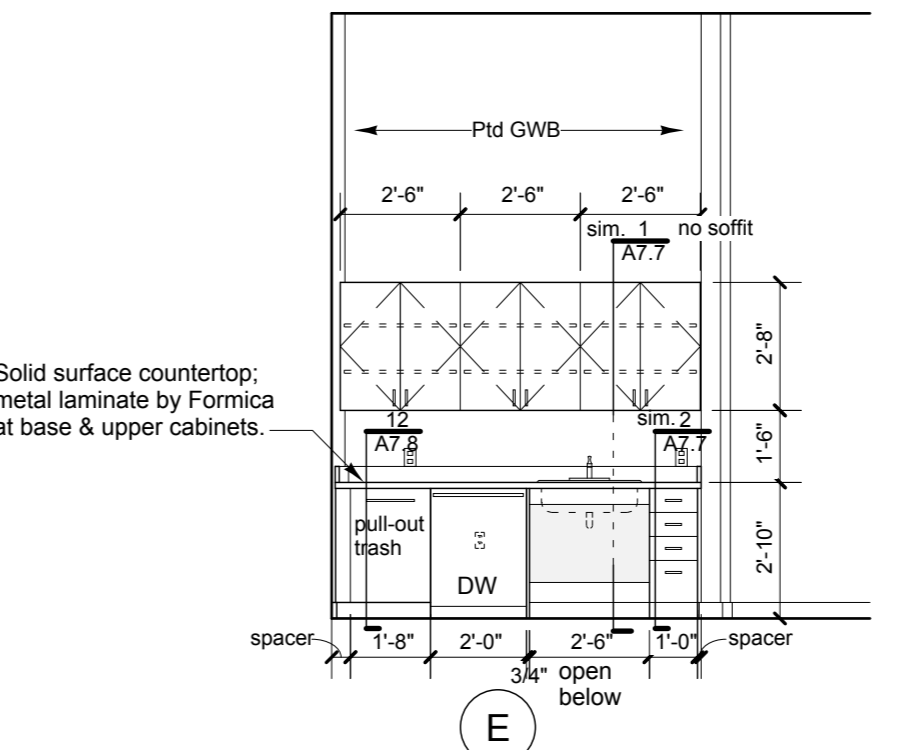
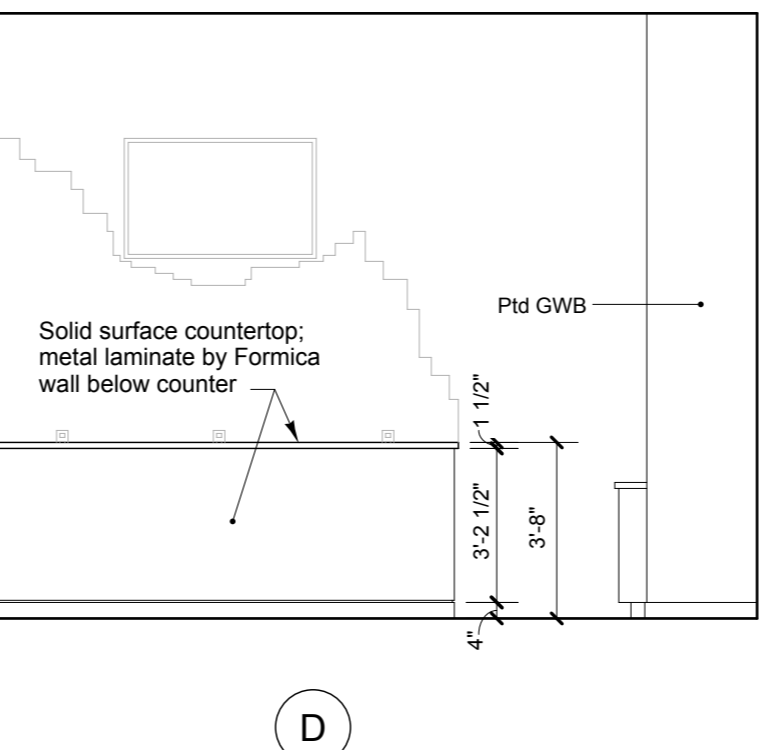
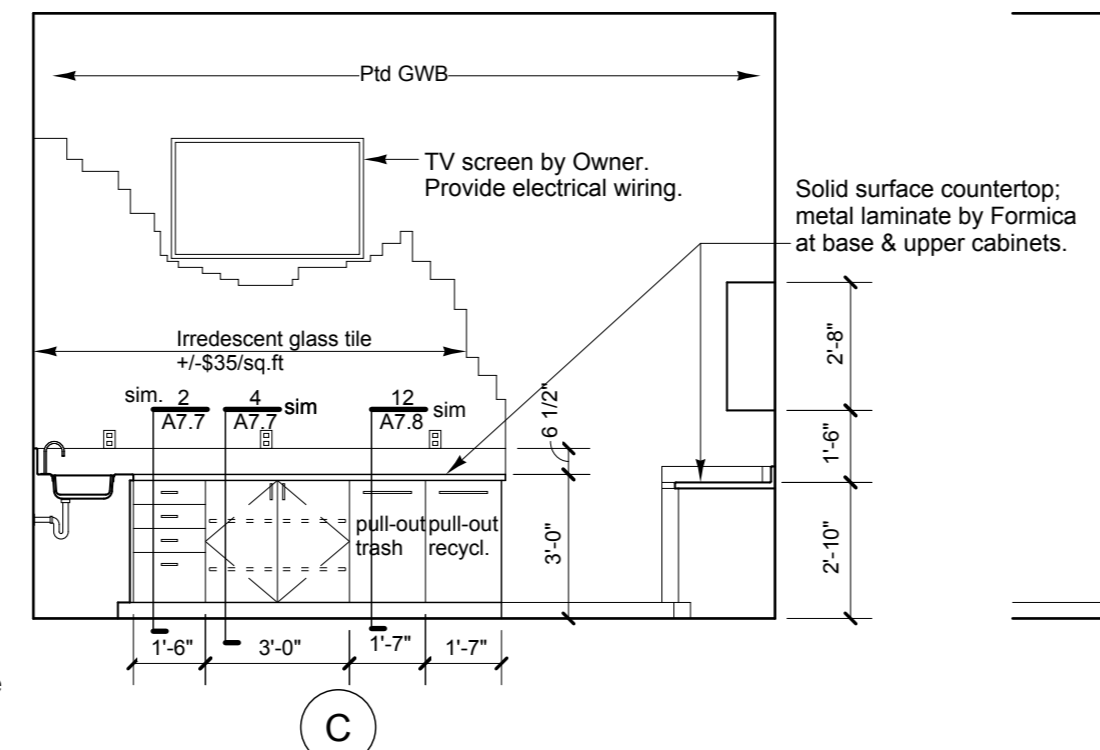
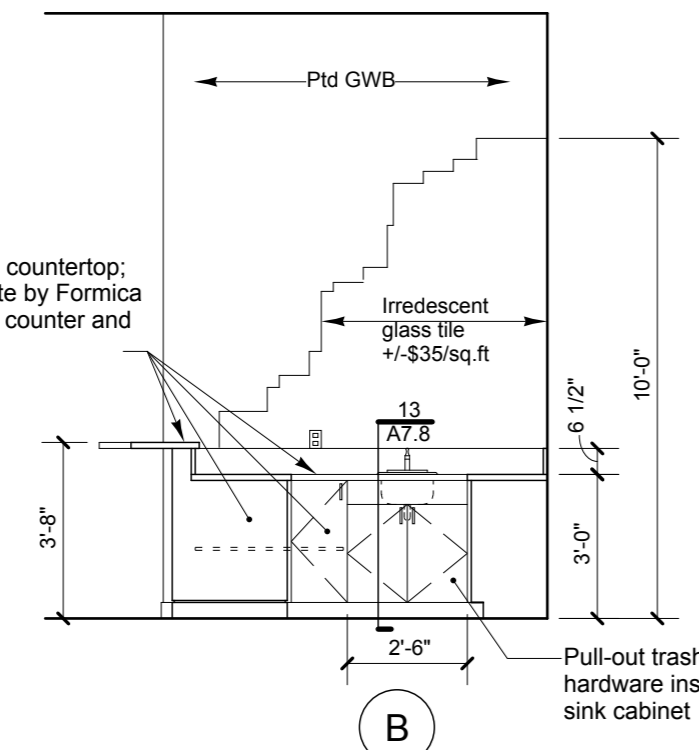
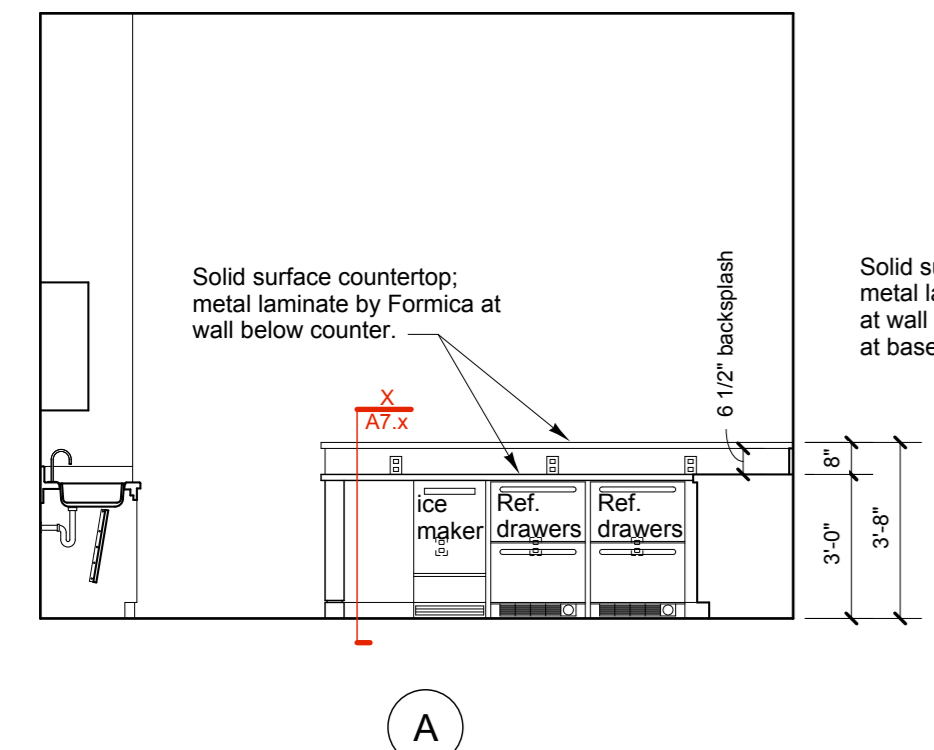
LEGEND	
M.....	Frameless mirror w/ polished edges
M24x36.....	24" x 36" framed mirror
GB42.....	42" grab bar
GB36.....	36" grab bar
PTWR-1.....	Semi-recessed mounted paper towel dispenser/ waste receptacle
PTWR-2.....	Surface mounted paper towel dispenser/ waste receptacle
TP.....	Surface mounted toilet paper dispenser
SD-1.....	Surface mounted soap dispenser
SD-2.....	Counter mounted soap dispenser provided with solid surface vanity by Mechanical Contractor
SND.....	Surface mounted sanitary napkin disposal
CH.....	Coak hook
TB30.....	30" towel bar

**1** TOILET RM. 220, SHOWER RM. 221, SHOWER RM. 222, CHANGE RM. 223 ELEVATIONS  
SCALE: 1/4" = 1'-0"



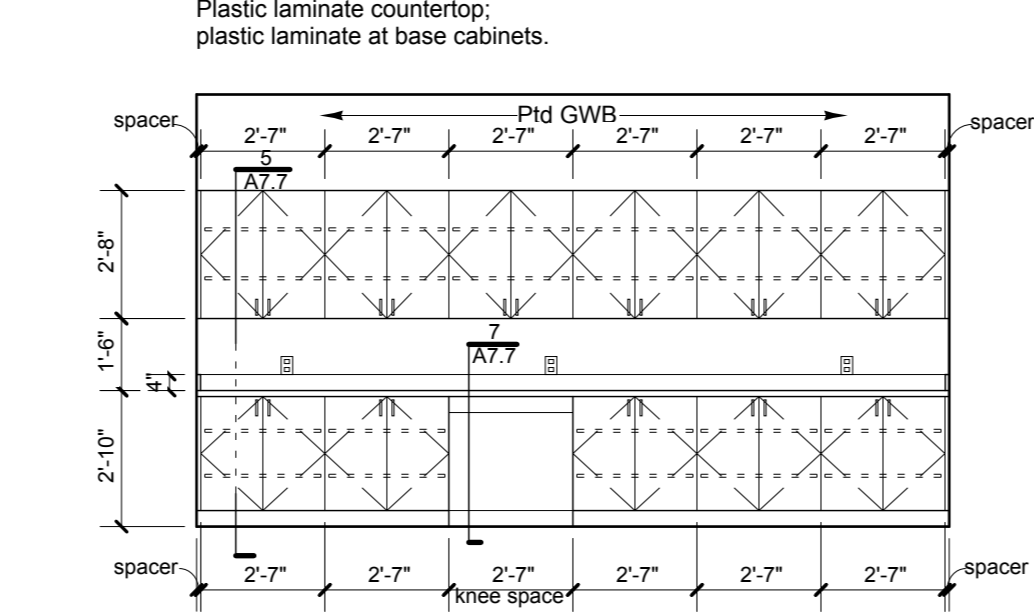
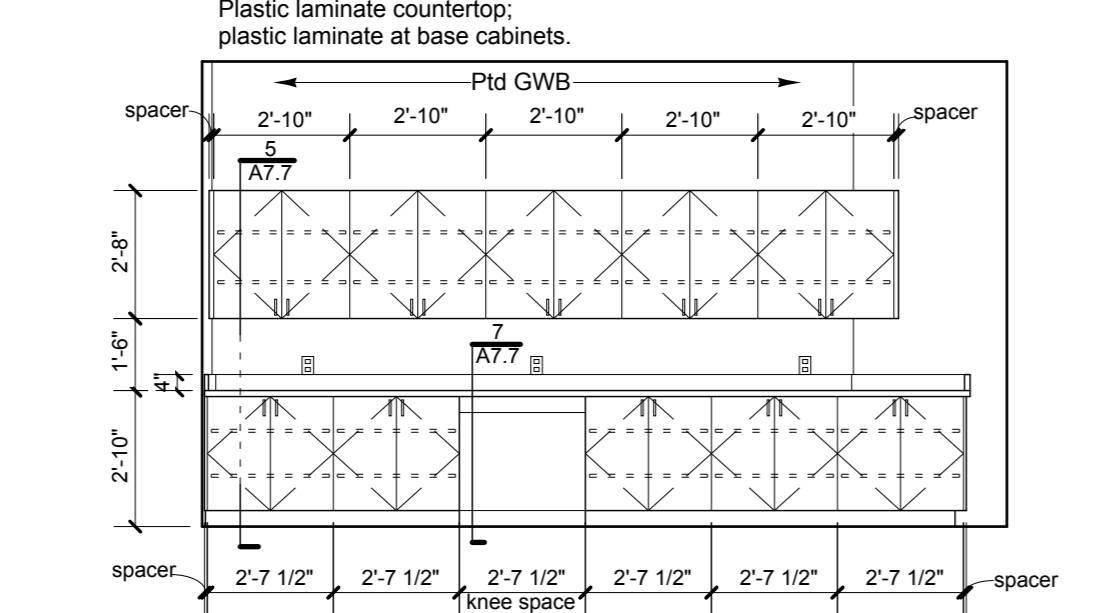
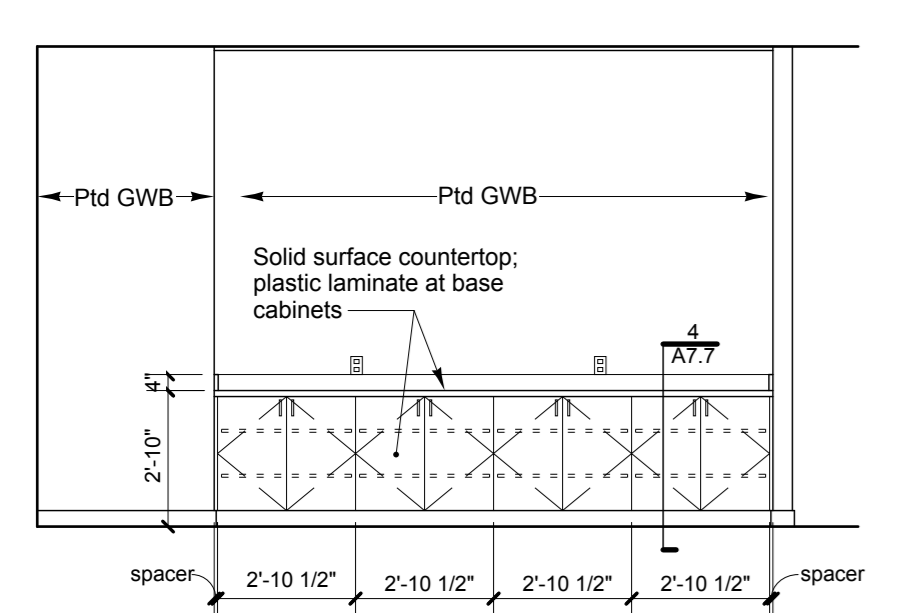
**2** COFFEE COUNTER ELEVATION  
SCALE: 1/4" = 1'-0"

**3** KITCHEN 124 ELEVATIONS  
SCALE: 1/4" = 1'-0"



**4** BAR 126 ELEVATIONS  
SCALE: 1/4" = 1'-0"

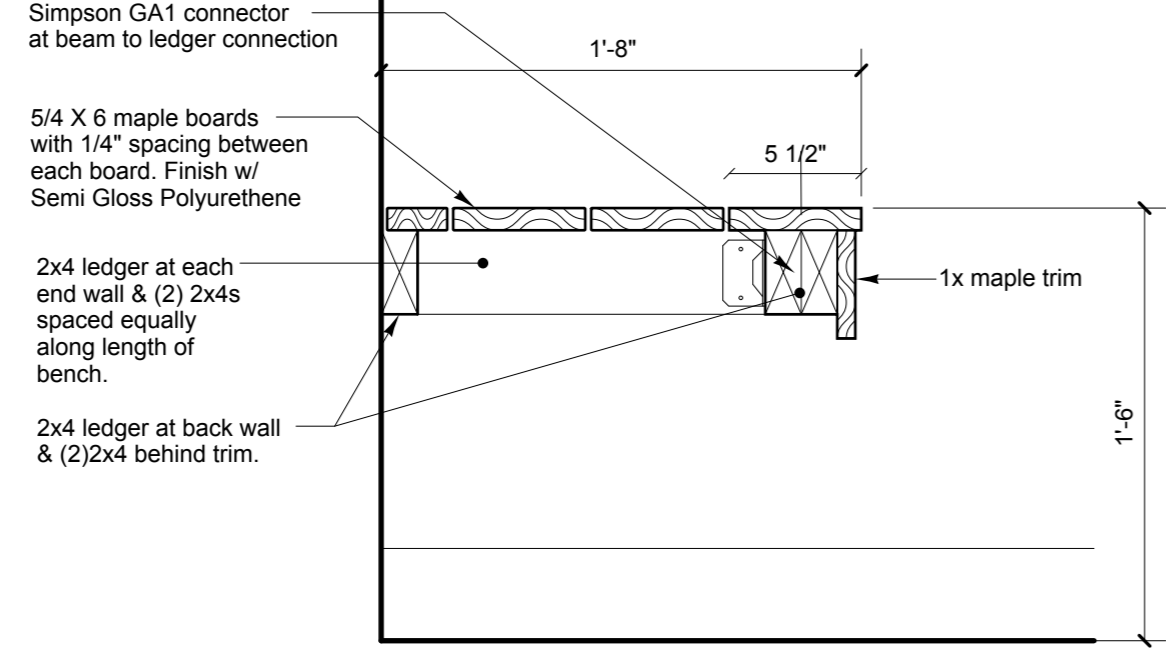
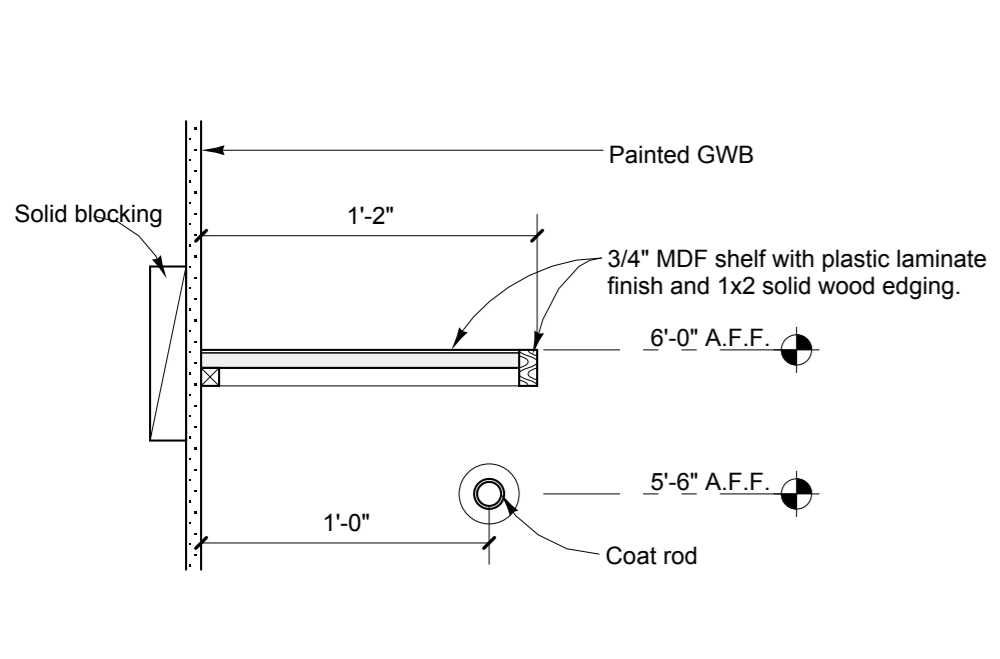
**5** COFFEE 209 ELEVATION  
SCALE: 1/4" = 1'-0"



**6** CREDENZA ELEV. AT CONF. ROOM 104  
SCALE: 1/4" = 1'-0"

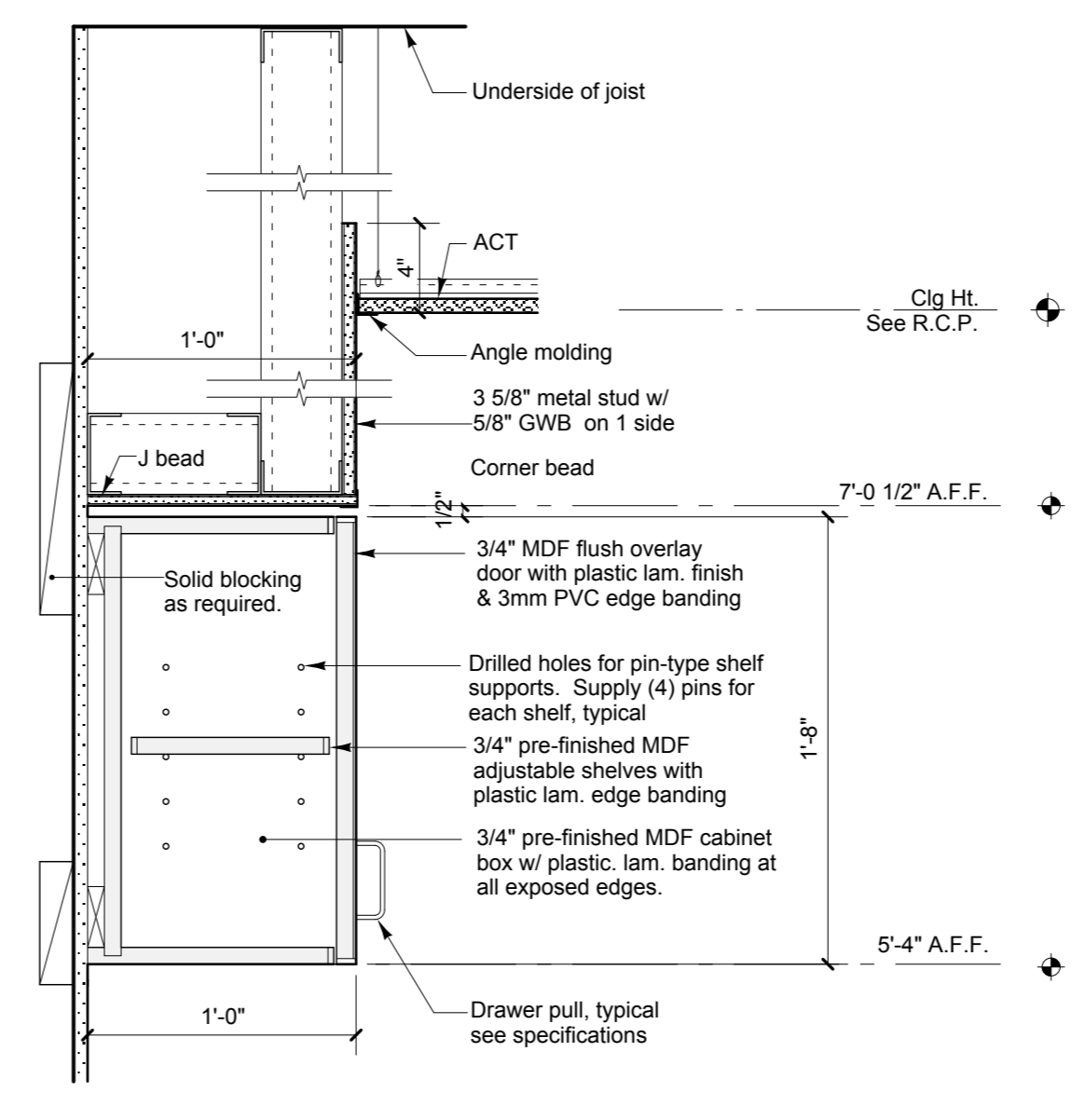
**7** COUNTER ELEVATIONS AT COPY/PRINT RM. 122  
SCALE: 1/4" = 1'-0"

**8** COUNTER ELEVATION AT RECEIVING 140  
SCALE: 1/4" = 1'-0"

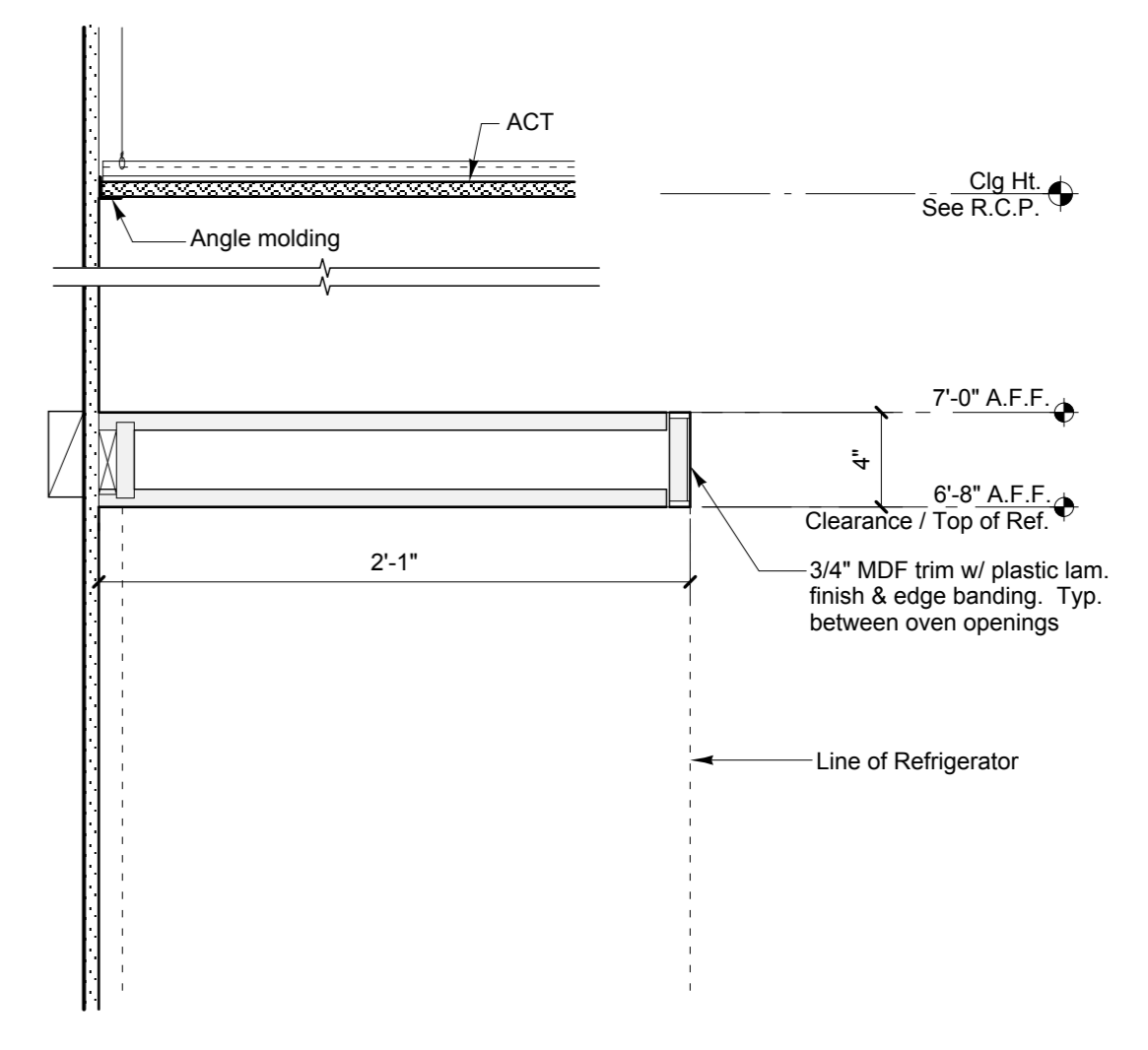


**9** TYPICAL COAT CLOSET DETAIL  
SCALE: 1 1/2" = 1'-0"

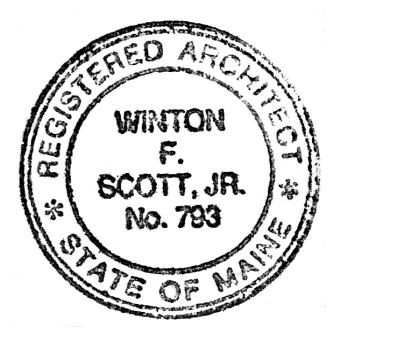
**10** SHOWER BENCH DETAIL  
SCALE: 1 1/2" = 1'-0"



**11** SECTION DTL AT UPPER CAB. OVER REFRIGERATOR  
SCALE: 1 1/2" = 1'-0"



**12** SECTION DTL AT REFRIGERATOR  
SCALE: 1 1/2" = 1'-0"



**POWERPAY  
OFFICE FIT UP**

Winton Scott Architects  
5 Milk Street  
Portland, ME 04101

Wright Ryan Construction, Inc.  
10 Danforth Street  
Portland, ME 04101

Becker Structural Engineers, Inc.  
75 York Street  
Portland, Maine 04101

Mechanical Systems Engineers  
10 Royal River Center  
Yarmouth, Maine 04096

Bartlett Design  
942 Washington Ave.  
Bath, Maine 04530

Fore Solutions  
386 Fore Street  
Portland, Maine 04101

**BATHROOM,  
KITCHEN, BAR, MISC.  
ELEVATIONS &  
DETAILS**

**A7.6**