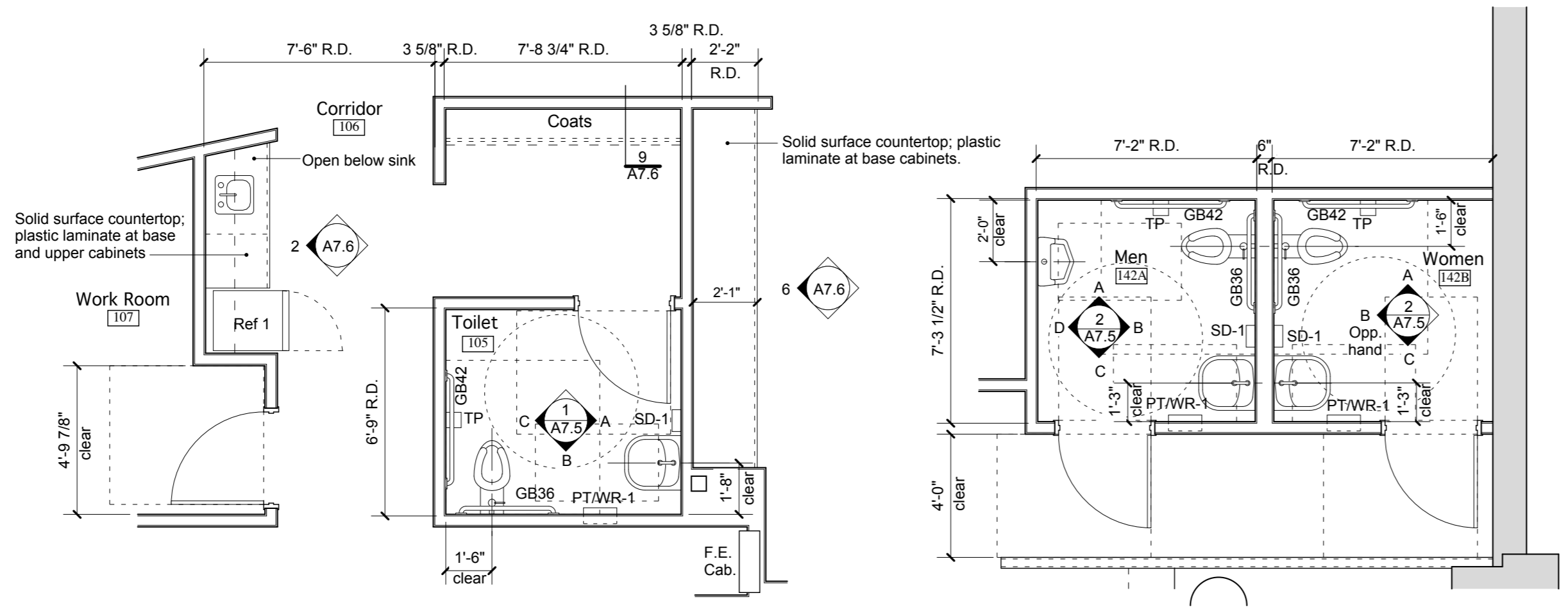
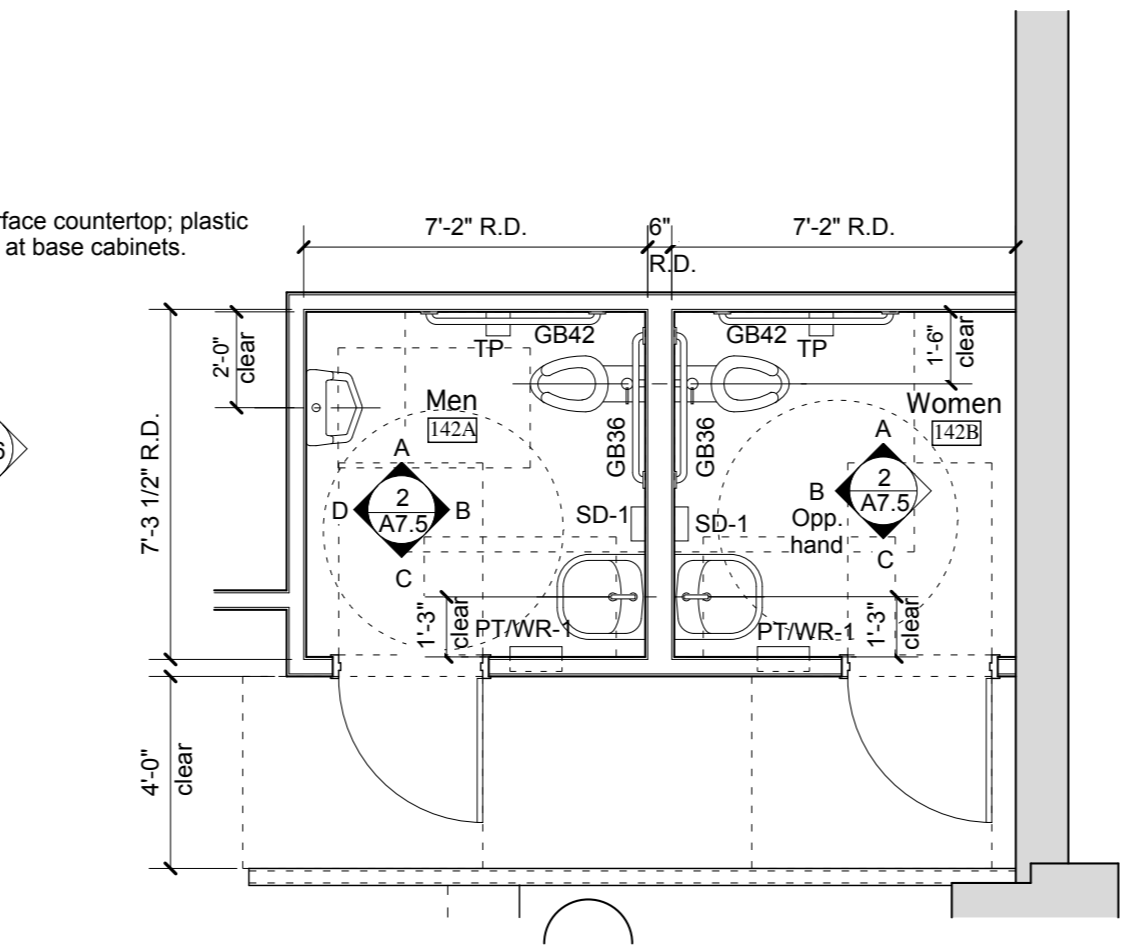


LEGEND	
M.....	Frameless mirror w/ polished edges
M24x36.....	24" x 36" framed mirror
GB42.....	42" grab bar
GB36.....	36" grab bar
PT/WR-1.....	Semi-recessed mounted paper towel dispenser/ waste receptacle
PT/WR-2.....	Surface mounted paper towel dispenser/ waste receptacle
TP.....	Surface mounted toilet paper dispenser
SD-1.....	Surface mounted soap dispenser
SD-2.....	Counter mounted soap dispenser provided with solid surface vanity by Mechanical Contractor
SND.....	Surface mounted sanitary napkin disposal
CH.....	Coak hook
TB30.....	30" towel bar

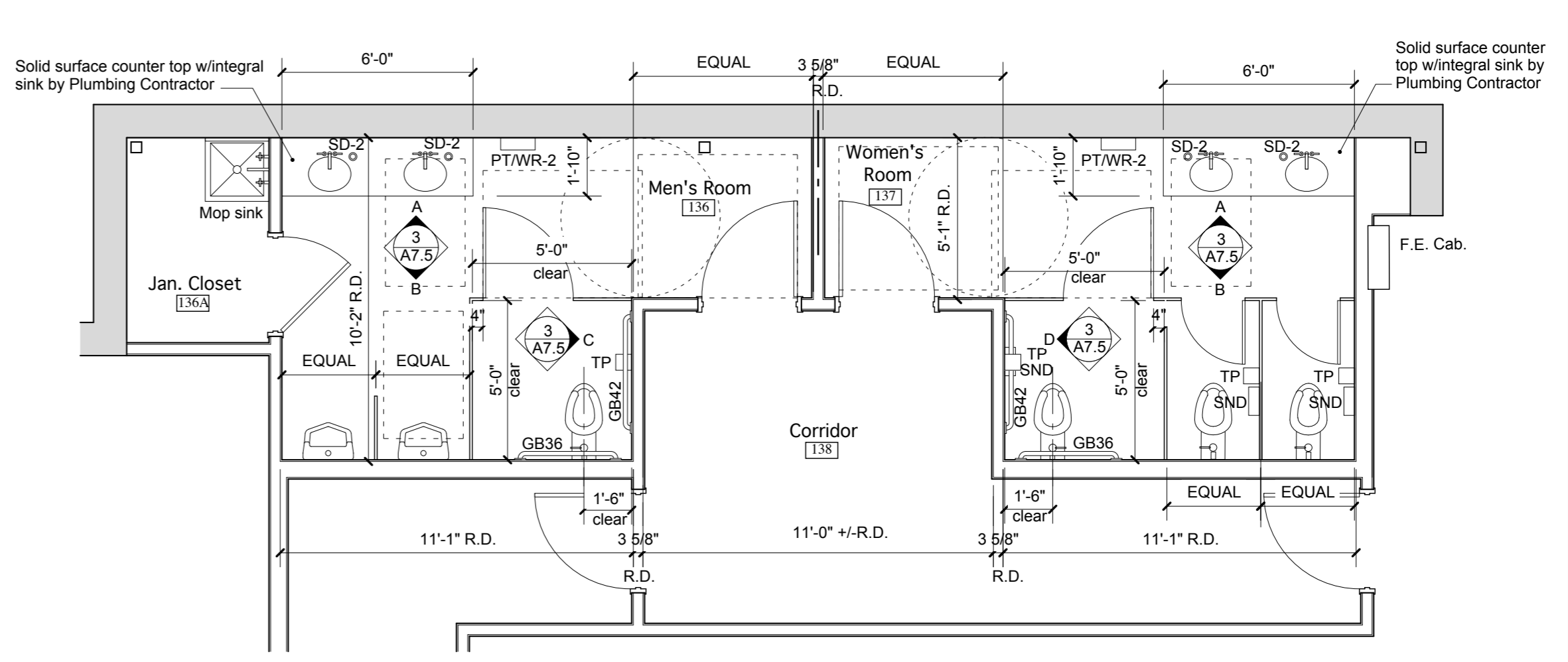
- GENERAL NOTES**
- 1 Provide solid blocking behind all wall mounted accessories.
  - 2 Refer to specifications and details for hardware descriptions.
  - 3 Dimensions indicated as "clear" are to face of finished wall, face of toilet partition, and edge of center of fixture/accessory. Dimensions indicated as "R.D." are stud to stud or stud to existing wall surface. Contact architect if discrepancies are found.
  - 4 Insulate all exposed pipes at sinks per ADA requirements, typical.
  - 5 In instances where electrical outlets on interior elevations and electrical Power plans (E drawings) are not in agreement in terms of number of outlets, the drawing showing the most outlets prevails.
  - 6 In instances electrical outlets on interior elevations and electrical Power plans (E drawings) are not in agreement in terms of outlet locations, consult architect.
  - 7 Refer to specifications for appliances descriptions.



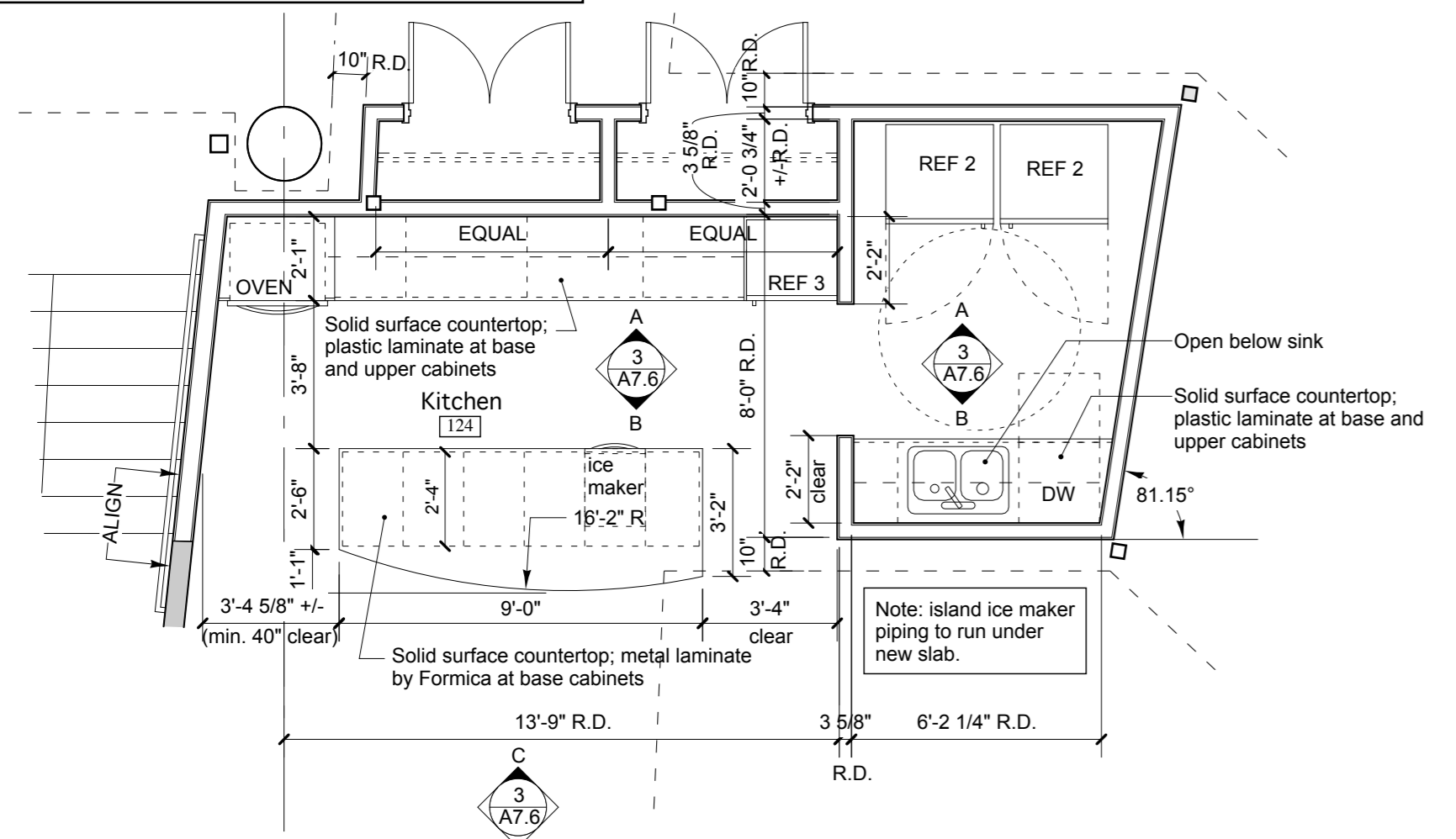
**1 TOILET ROOM 105 PLAN**  
SCALE: 1/4" = 1'-0"



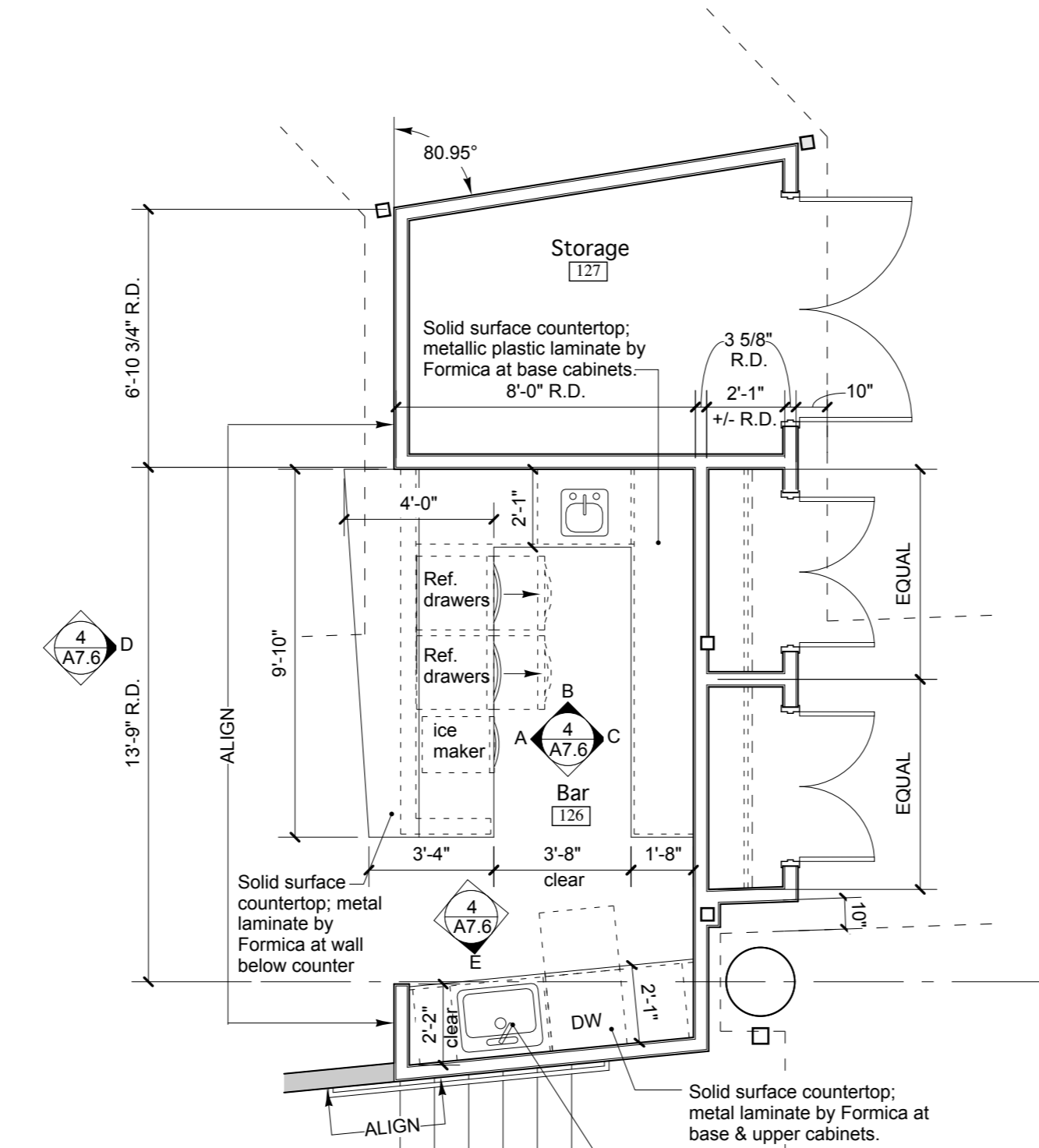
**2 MEN'S RM. 142A & WOMEN'S RM. 142B PLANS**  
SCALE: 1/4" = 1'-0"



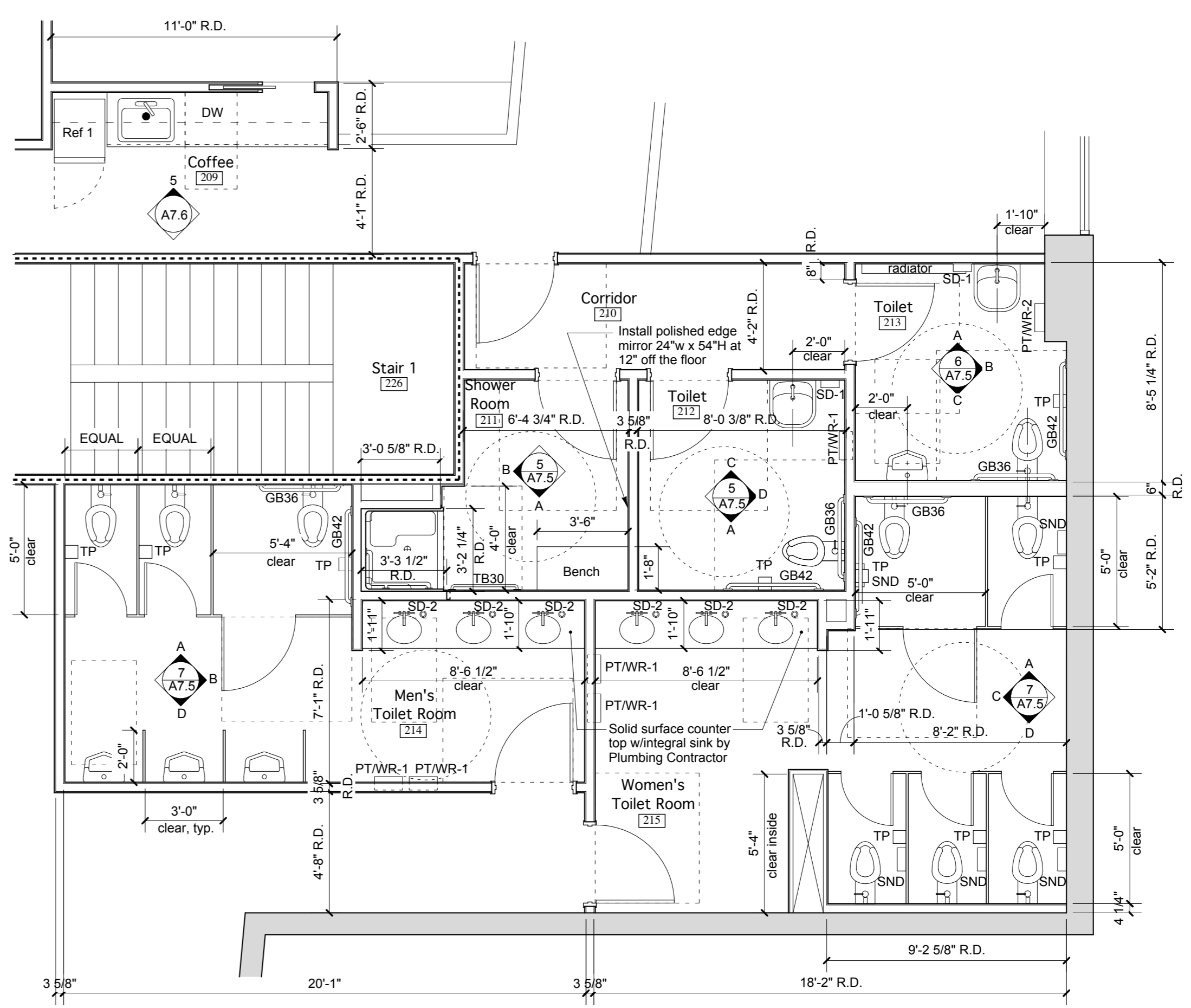
**3 MEN'S RM. 136 & WOMEN'S RM. 137 PLANS**  
SCALE: 1/4" = 1'-0"



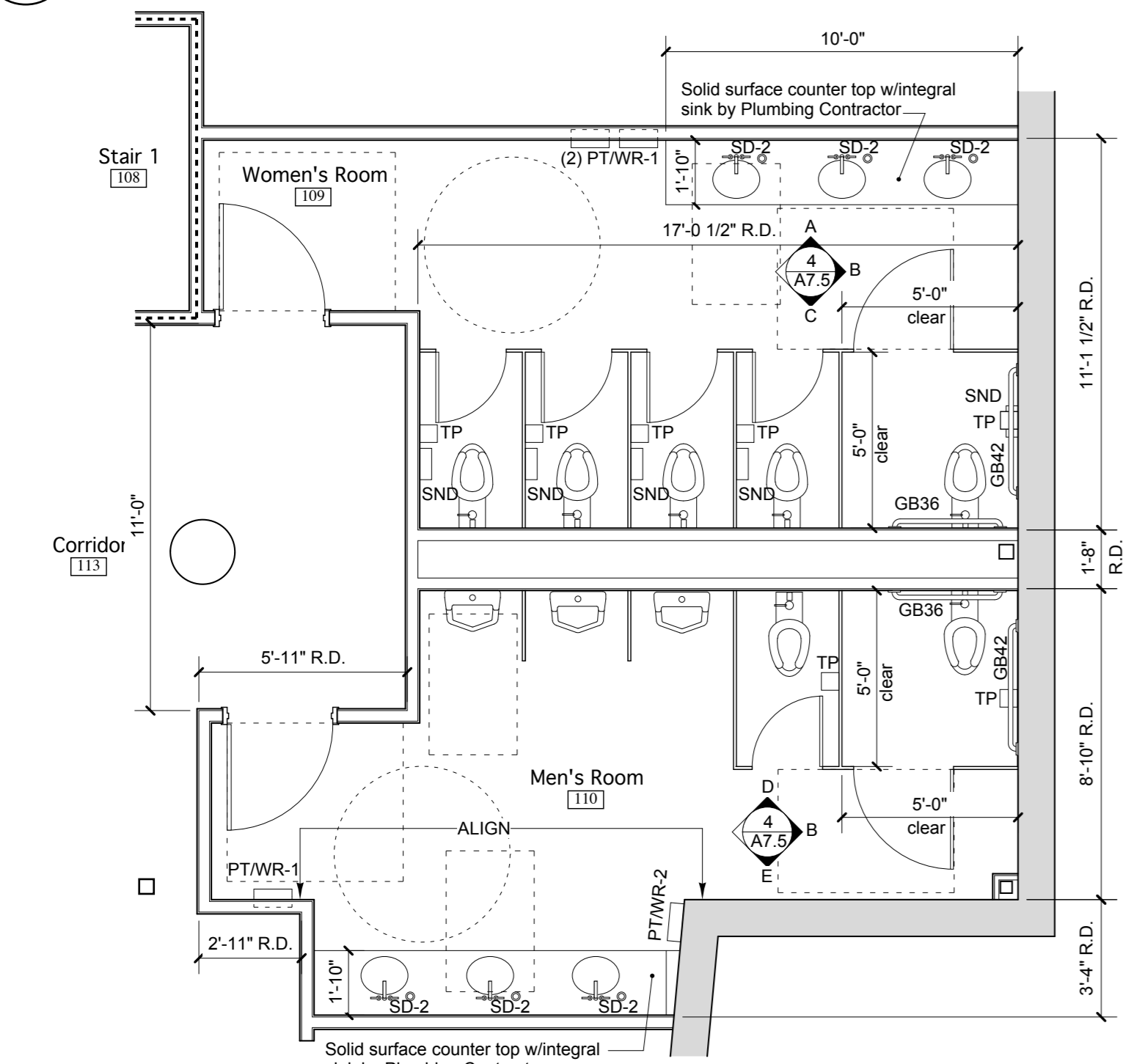
**4 KITCHEN 124 PLAN**  
SCALE: 1/4" = 1'-0"



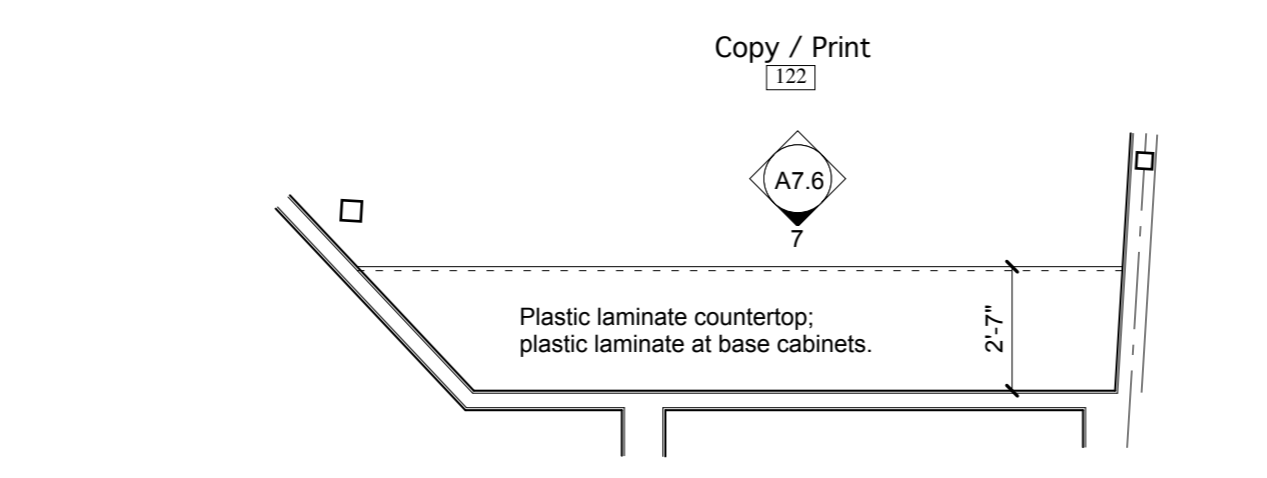
**5 BAR 126 PLAN**  
SCALE: 1/4" = 1'-0"



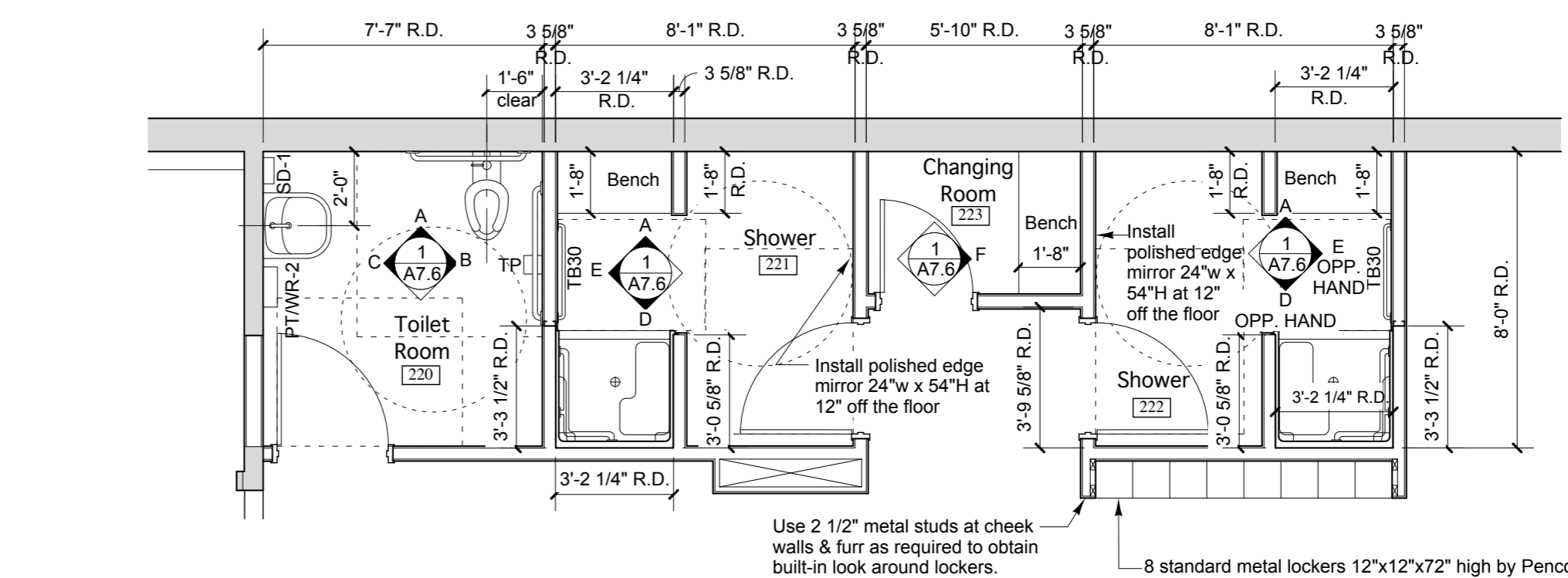
**6 COFFEE 209, SHOWER RM 211, TOILET RM. 212, TOILET RM. 213, MEN'S RM. 214, WOMEN'S RM. 215 PLANS**  
SCALE: 1/4" = 1'-0"



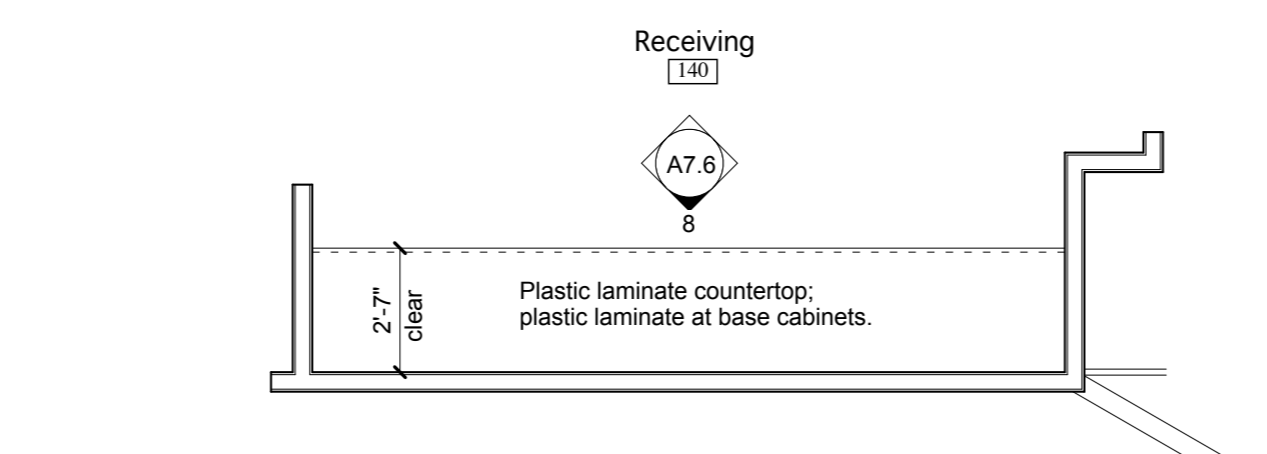
**7 WOMEN'S RM. 109 & MEN'S RM. 110 PLANS**  
SCALE: 1/4" = 1'-0"



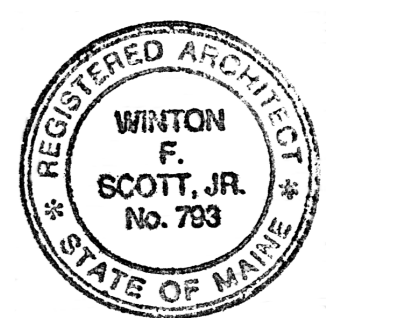
**8 COPY/PRINT RM. 122 PLAN**  
SCALE: 1/4" = 1'-0"



**10 TOILET RM. 220, SHOWER RM. 221, SHOWER RM. 222, CHANGE RM. 223 PLANS**  
SCALE: 1/4" = 1'-0"



**9 RECEIVING 140 PLAN**  
SCALE: 1/4" = 1'-0"



**POWERPAY  
OFFICE FIT UP**

Winton Scott Architects  
5 Milk Street  
Portland, ME 04101

Wright Ryan Construction, Inc.  
10 Danforth Street  
Portland, ME 04101

Becker Structural Engineers, Inc.  
75 York Street  
Portland, Maine 04101

Mechanical Systems Engineers  
10 Royal River Center  
Yarmouth, Maine 04096

Bartlett Design  
942 Washington Ave.  
Bath, Maine 04530

Fore Solutions  
386 Fore Street  
Portland, Maine 04101

ENLARGED PLANS

**A7.4**