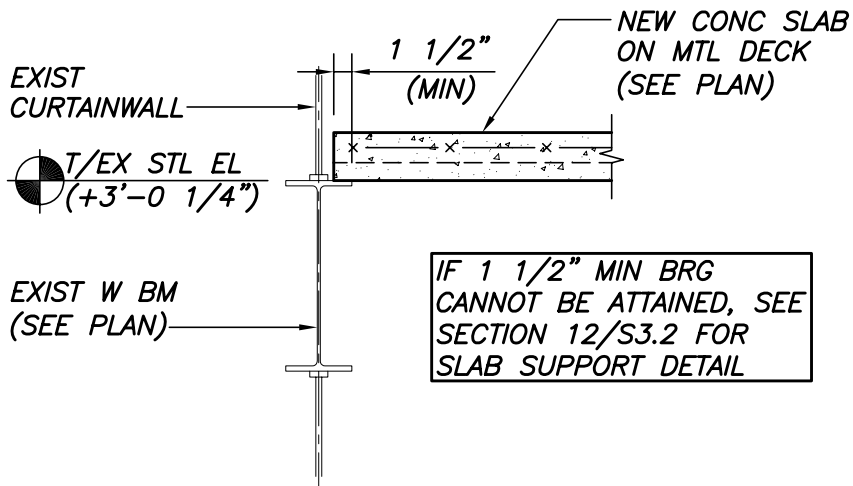


SECTION

3/4"=1'-0"

3

SKS-2



SECTION

3/4"=1'-0"

4

SKS-2

BECKER
structural engineers, inc.

75 York Street
Portland, ME 04101-4701
info@beckerstructural.com

Tel 207-879-1838
Fax 207-879-1822
www.beckerstructural.com

| | |
|----------|----------|
| Designed | NRM |
| Drawn | CHF |
| Checked | PBB |
| Scale | AS NOTED |
| Date | 4/16/09 |

POWERPAY OFFICE
PORTLAND, ME

Becker Job Number
2036

SKS-5