

PARTIAL MEZZANINE LEVEL FRAMING PLAN
 1/8" = 1'-0"

NOTES:
 1. INDICATES SPAN DIRECTION OF 4" CONC SLAB ON 1.5V118 GA COMP DECK (2 1/2" CONC ON 1 1/2" DECK). REINF W/6x6-W2.1xW2.1 W.W.F.

REF: S1.2 FOR ADDL PLAN NOTES AND INFORMATION

CUT LINE FOR EXIST SLAB REMOVAL FOR REPLACEMENT OF STL BMS & COLUMNS

REMOVE EXIST COLUMN & REPLACE W/ HSS8x8x5/8, BP-5 (TYP (2) PLCS)

REMOVE & REPLACE EXIST BM

BECKER
 structural engineers, inc.

75 York Street
 Portland, ME 04101-4701
 info@beckerstructural.com

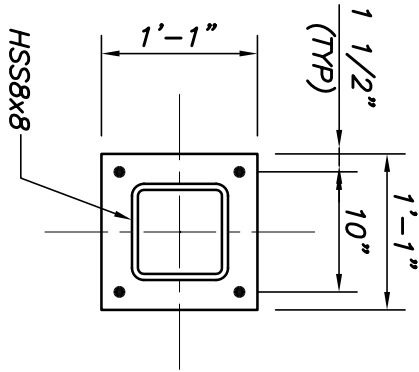
Tel 207-879-1838
 Fax 207-879-1822
 www.beckerstructural.com

Designed	NRM
Drawn	CHF
Checked	PBB
Scale	AS NOTED
Date	9/28/09

POWERPAY OFFICE
 PORTLAND, ME

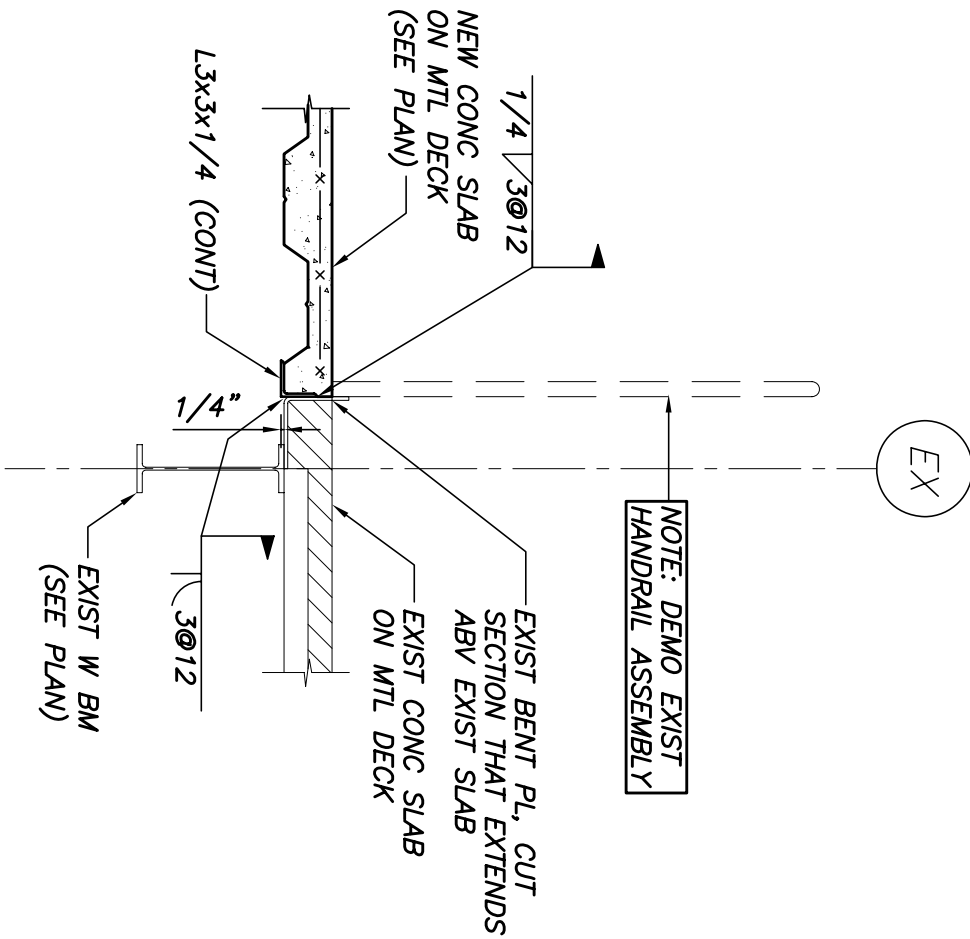
Becker Job Number
 2036

SKS-24



PL 1x13x1'-1"
 W/(4)-1 5/16"Ø HOLES FOR
 (4)-3/4"Ø HILTI HIT HY150
 ADHESIVE ANCHORS
 W/6" EMBED & 5" PROJ

BP-5



SECTION
 3/4"=1'-0"
 1
 SKS-24

BECKER
 structural engineers, inc.

75 York Street
 Portland, ME 04101-4701
 info@beckerstructural.com

Tel 207-879-1838
 Fax 207-879-1822
 www.beckerstructural.com

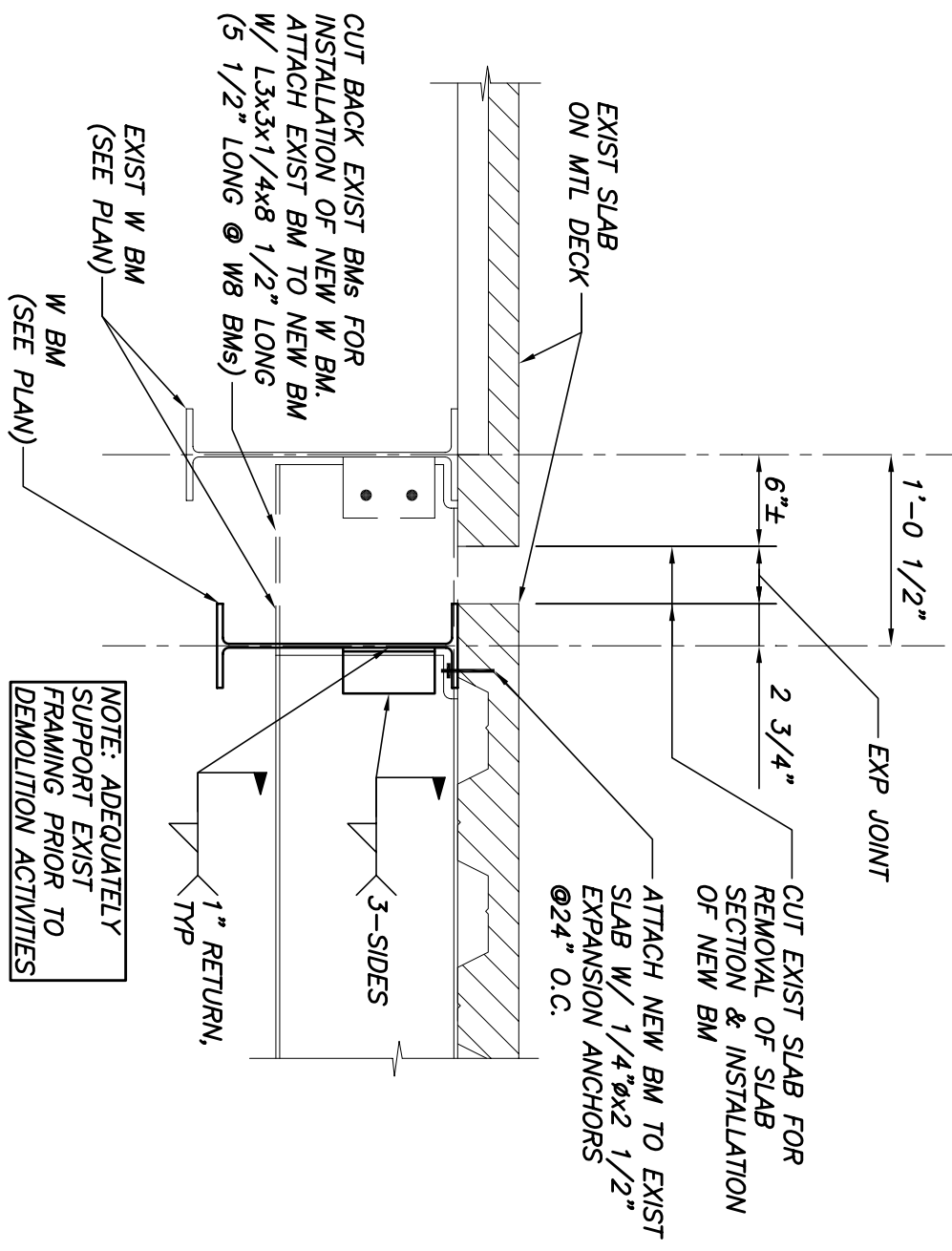
Designed	NRM
Drawn	CHF
Checked	PBB
Scale	AS NOTED
Date	9/28/09

POWERPAY OFFICE
 PORTLAND, ME

Becker Job Number
 2036

SKS-25

EX



NOTE: ADEQUATELY SUPPORT EXIST FRAMING PRIOR TO DEMOLITION ACTIVITIES

SECTION
1" = 1'-0"

2
SKS-24

BECKER
structural engineers, inc.

75 York Street
Portland, ME 04101-4701
info@beckerstructural.com

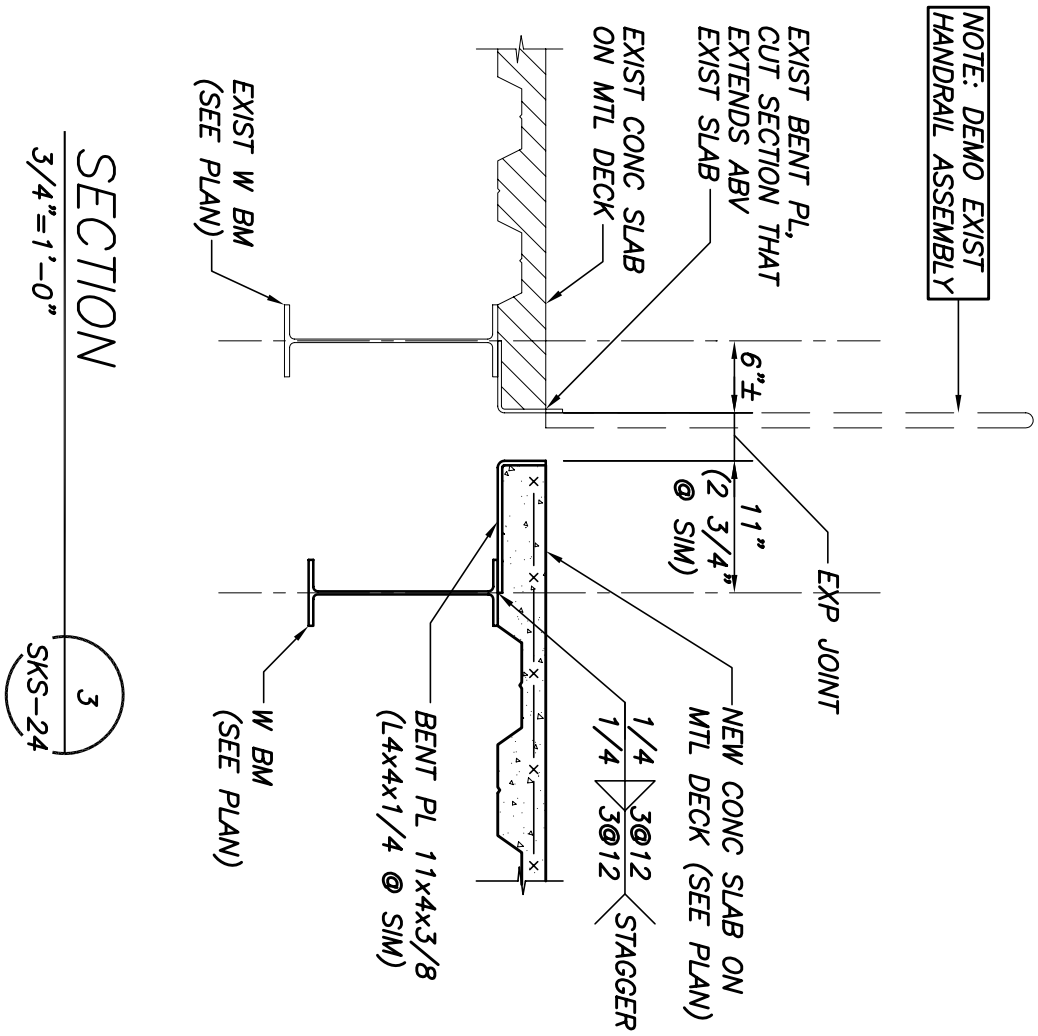
Tel 207-879-1838
Fax 207-879-1822
www.beckerstructural.com

Designed	NRM
Drawn	CHF
Checked	PBB
Scale	AS NOTED
Date	9/28/09

POWERPAY OFFICE
PORTLAND, ME

Becker Job Number
2036

SKS-26



BECKER

structural engineers, inc.

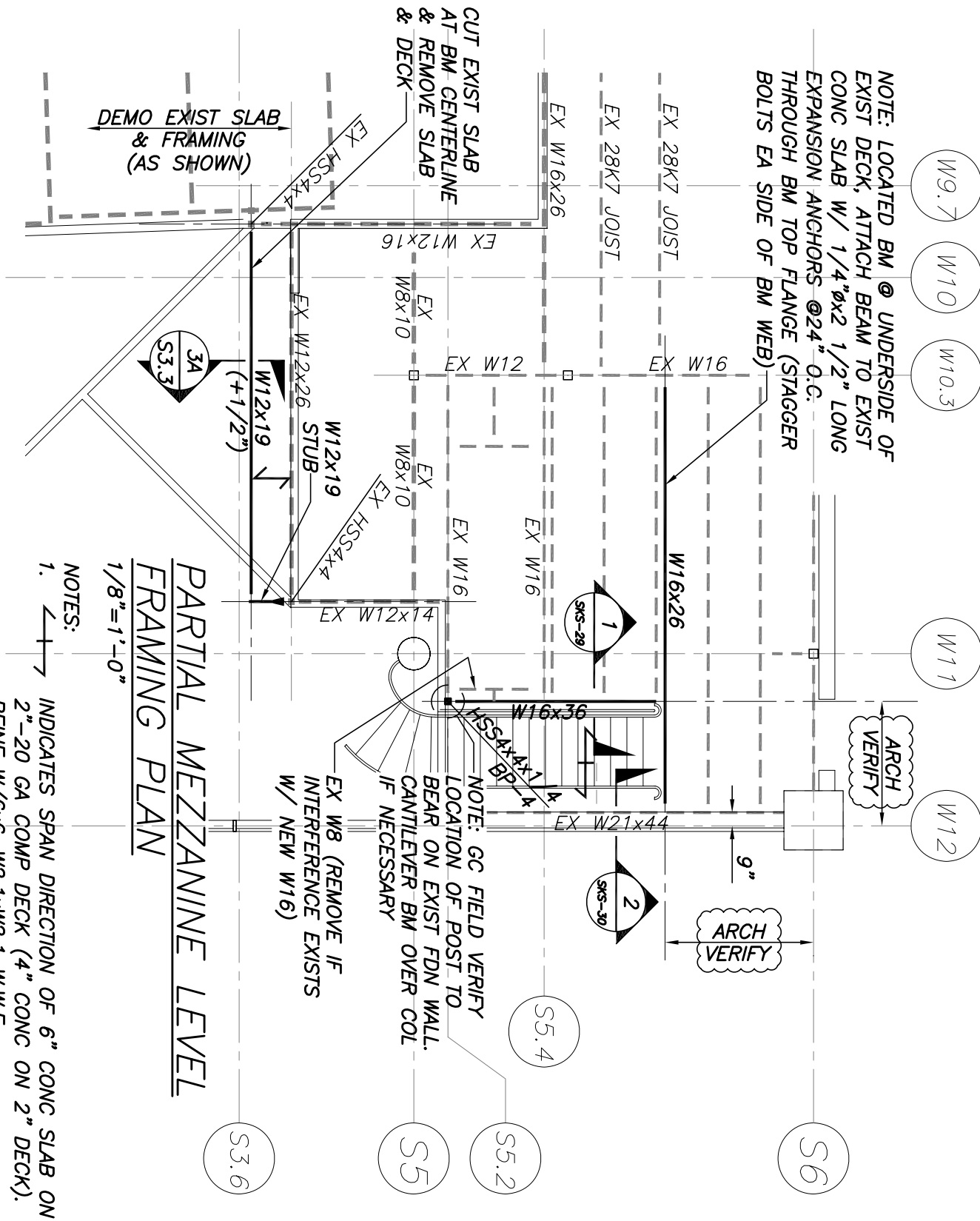
75 York Street
Portland, ME 04101-4701
info@beckerstructural.com

Tel 207-879-1838
Fax 207-879-1822
www.beckerstructural.com

Designed	NRM
Drawn	CHF
Checked	PBB
Scale	AS NOTED
Date	9/28/09

POWERPAY OFFICE
PORTLAND, ME

Becker Job Number	2036
	SKS-27



NOTE: LOCATED BM @ UNDERSIDE OF EXIST DECK, ATTACH BEAM TO EXIST CONC SLAB W/ 1/4"Øx2 1/2" LONG EXPANSION ANCHORS @ 24" O.C. THROUGH BM TOP FLANGE (STAGGER BOLTS EA SIDE OF BM WEB)

**PARTIAL MEZZANINE LEVEL
FRAMING PLAN**

1/8" = 1'-0"

NOTES:
1. INDICATES SPAN DIRECTION OF 6" CONC SLAB ON 2"-20 GA COMP DECK (4" CONC ON 2" DECK). REINF W/6x6-W2.1xW2.1 W.W.F.

REF: S1.2 FOR ADDL PLAN NOTES AND INFORMATION

BECKER
structural engineers, inc.

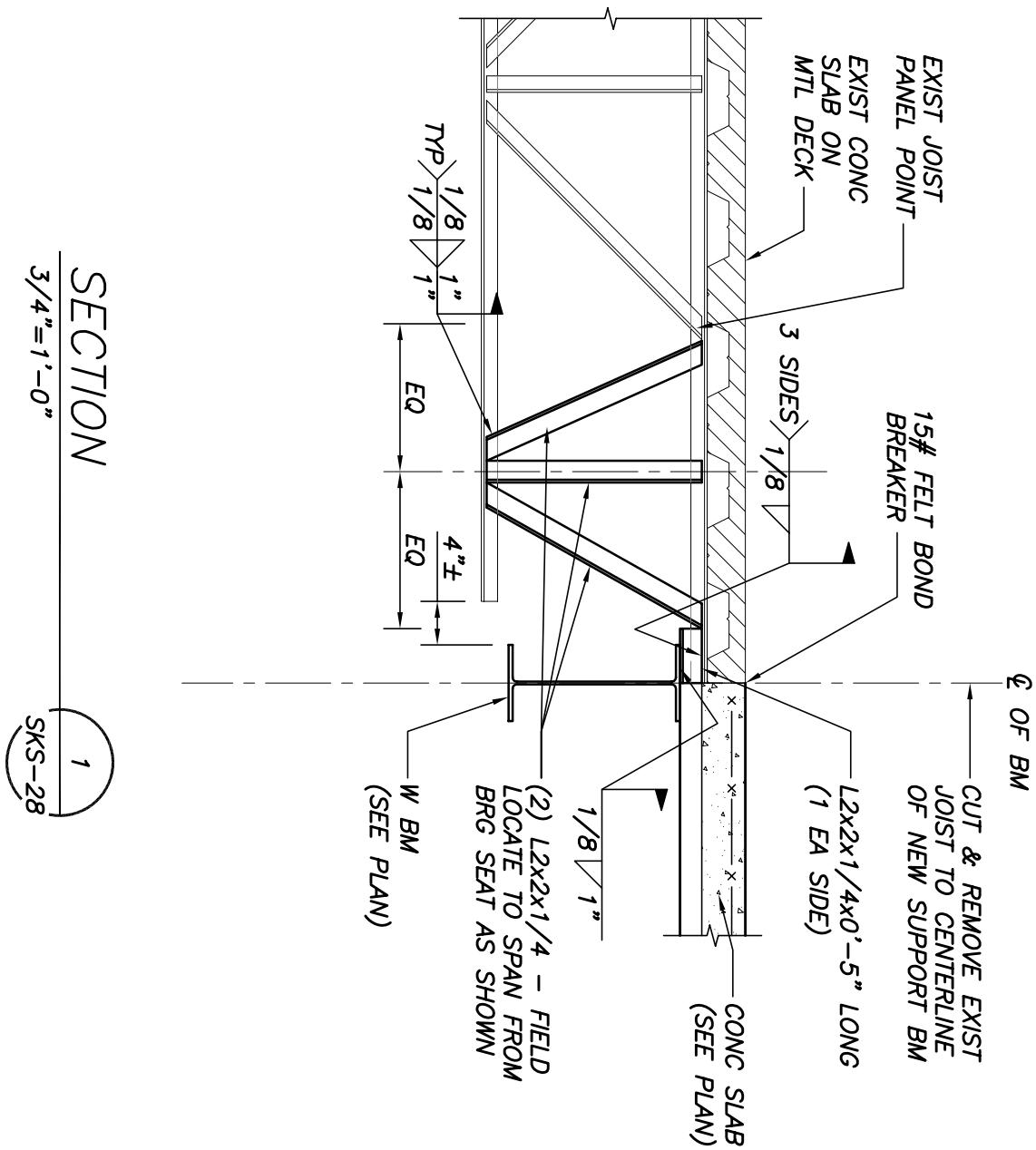
75 York Street
Portland, ME 04101-4701
info@beckerstructural.com

Tel 207-879-1838
Fax 207-879-1822
www.beckerstructural.com

Designed	NRM
Drawn	CHF
Checked	PBB
Scale	AS NOTED
Date	9/28/09

POWERPAY OFFICE
PORTLAND, ME

Becker Job Number	2036
	SKS-28



SECTION
 3/4" = 1'-0"
 1
 SKS-28

BECKER
 structural engineers, inc.

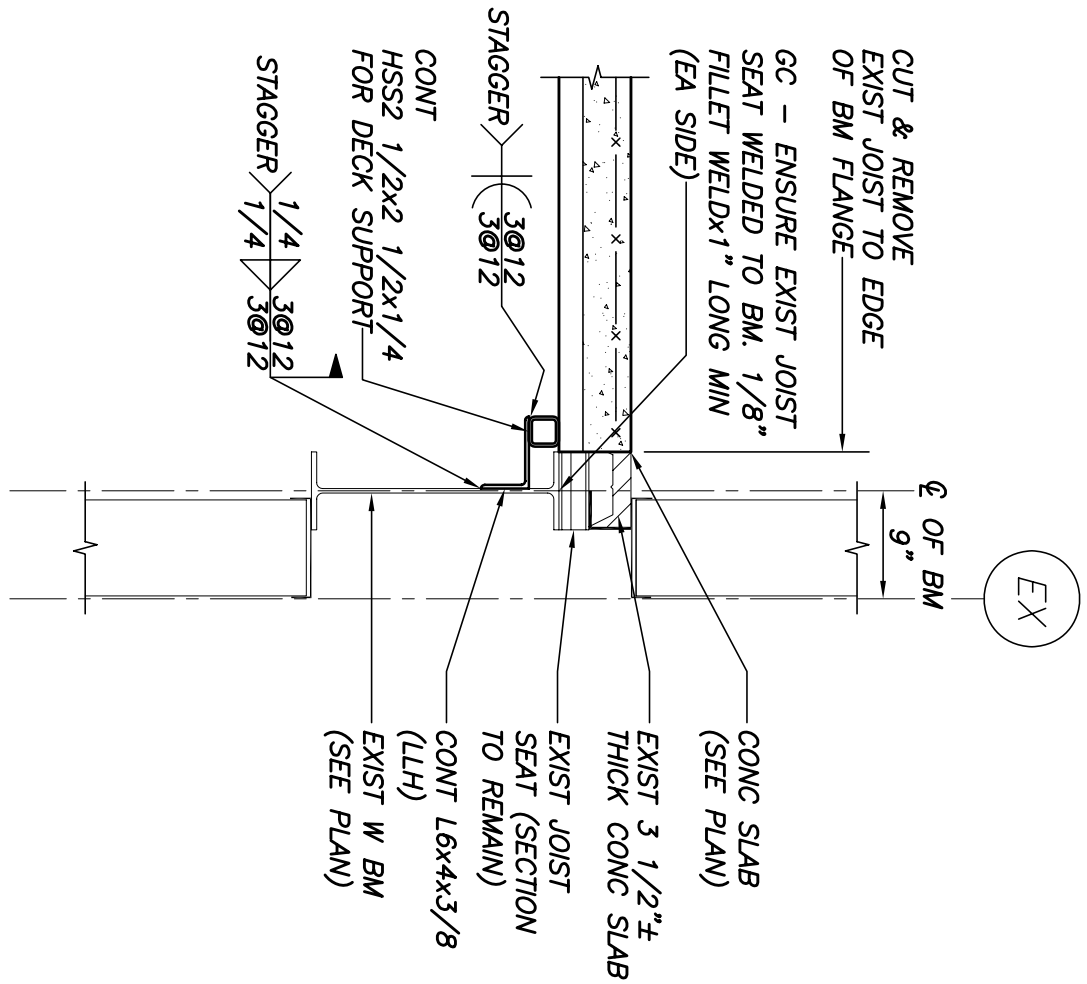
75 York Street
 Portland, ME 04101-4701
 info@beckerstructural.com

Tel 207-879-1838
 Fax 207-879-1822
 www.beckerstructural.com

Designed	NRM
Drawn	CHF
Checked	PBB
Scale	AS NOTED
Date	9/28/09

POWERPAY OFFICE
 PORTLAND, ME

Becker Job Number	2036
	SKS-29



SECTION
 3/4" = 1'-0"
 2
 SKS-28

BECKER
 structural engineers, inc.

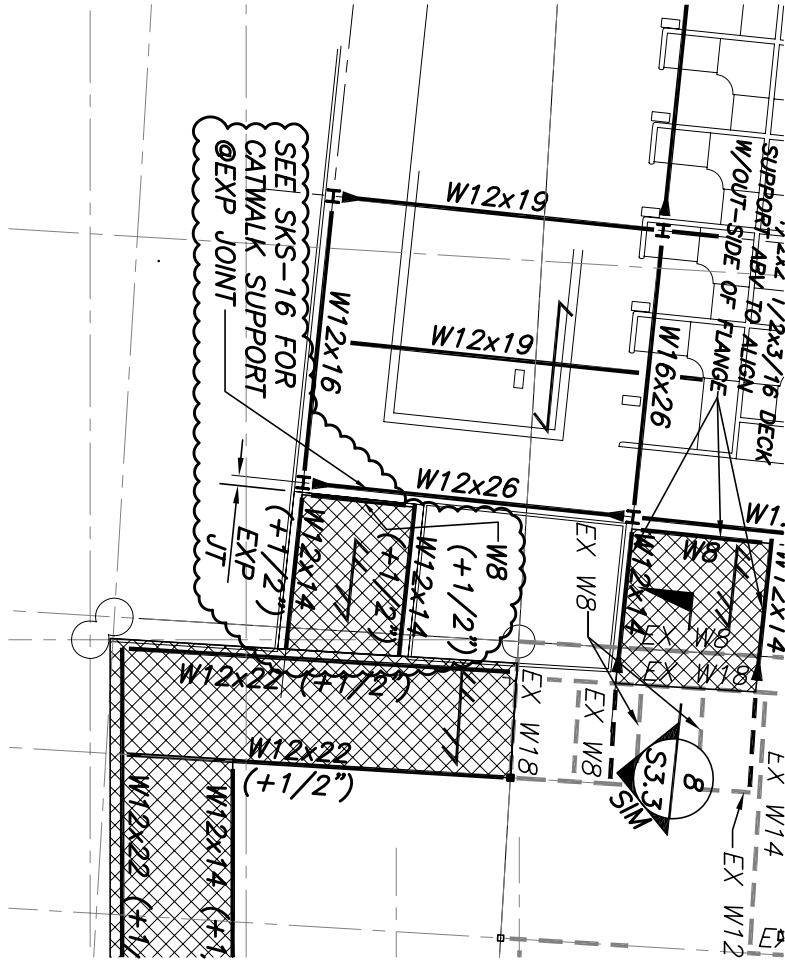
75 York Street
 Portland, ME 04101-4701
 info@beckerstructural.com

Tel 207-879-1838
 Fax 207-879-1822
 www.beckerstructural.com

Designed	NRM
Drawn	CHF
Checked	PBB
Scale	AS NOTED
Date	9/28/09

POWERPAY OFFICE
 PORTLAND, ME

Becker Job Number	2036
	SKS-30



BECKER

structural engineers, inc.

75 York Street
Portland, ME 04101-4701
info@beckerstructural.com

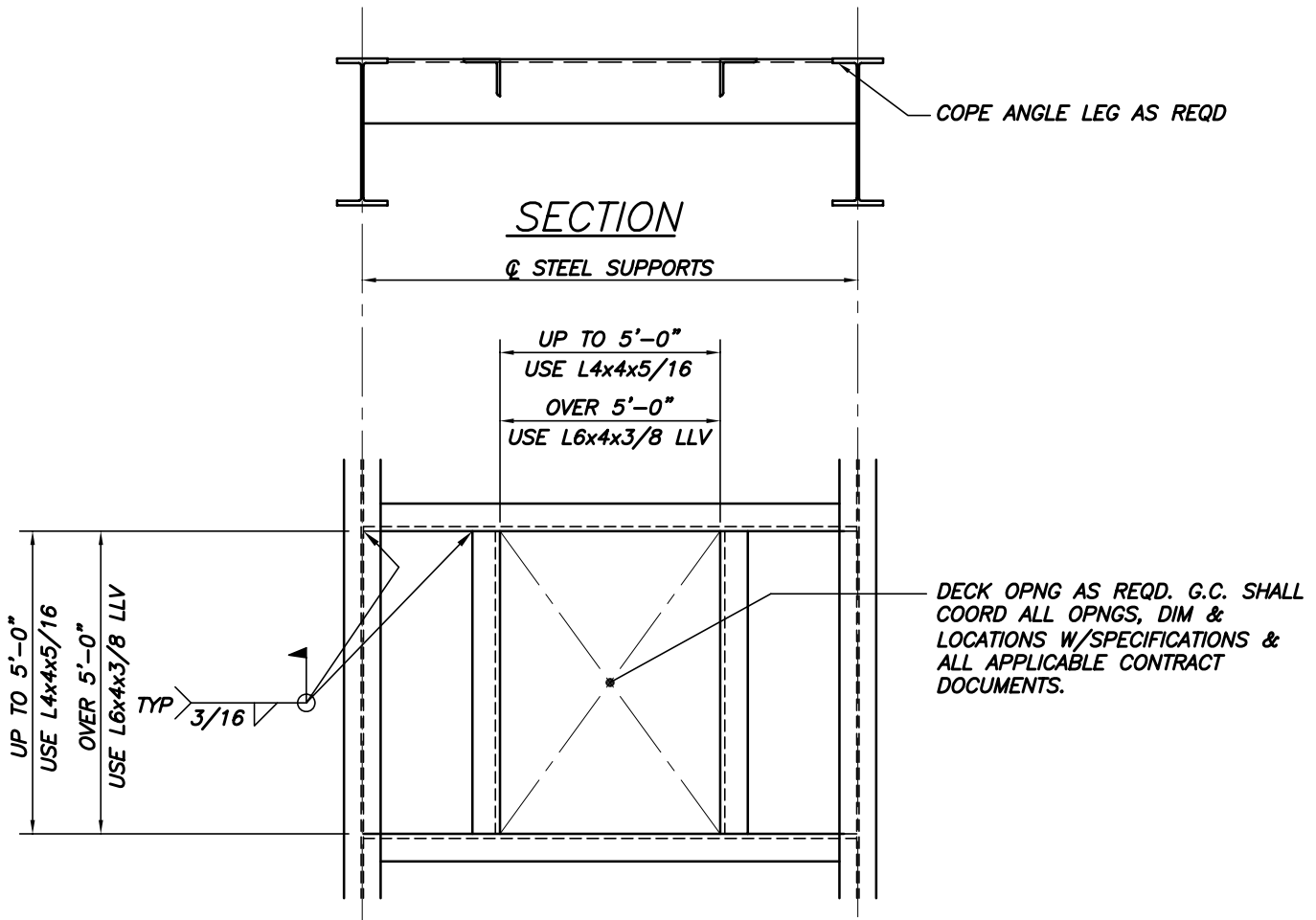
Tel 207-879-1838
Fax 207-879-1822
www.beckerstructural.com

Designed	NRM
Drawn	CHF
Checked	PBB
Scale	AS NOTED
Date	9/28/09

POWERPAY OFFICE
PORTLAND, ME

Becker Job Number
2036

SKS-31



PLAN OF TYP PENETRATION IN EXIST FLOOR DECK
N.T.S.

NOTE:
DETAIL TYPICAL IF OPENING IS LARGER THAN 12"Ø OR CUTS MORE THAN (1) DECK RIB. FOR OPENINGS LESS THAN 12"Ø, REINF OPNG W/16GA MIN PL. MIN PL LENGTH SHALL BE 'D'+4". EXTEND AS REQD FOR 2" MIN BRG ON DECK RIB.

BECKER
structural engineers, inc.

75 York Street
Portland, ME 04101-4701
info@beckerstructural.com

Tel 207-879-1838
Fax 207-879-1822
www.beckerstructural.com

Designed	NRM
Drawn	CHF
Checked	PBB
Scale	AS NOTED
Date	9/28/09

POWERPAY OFFICE
PORTLAND, ME

Becker Job Number
2036

SKS-32