

SECTION

1/2" = 1'-0"

2
S1.1

REFERENCE DWG S2.1

BECKER
structural engineers, inc.

75 York Street
Portland, ME 04101-4701
info@beckerstructural.com

Tel 207-879-1838
Fax 207-879-1822
www.beckerstructural.com

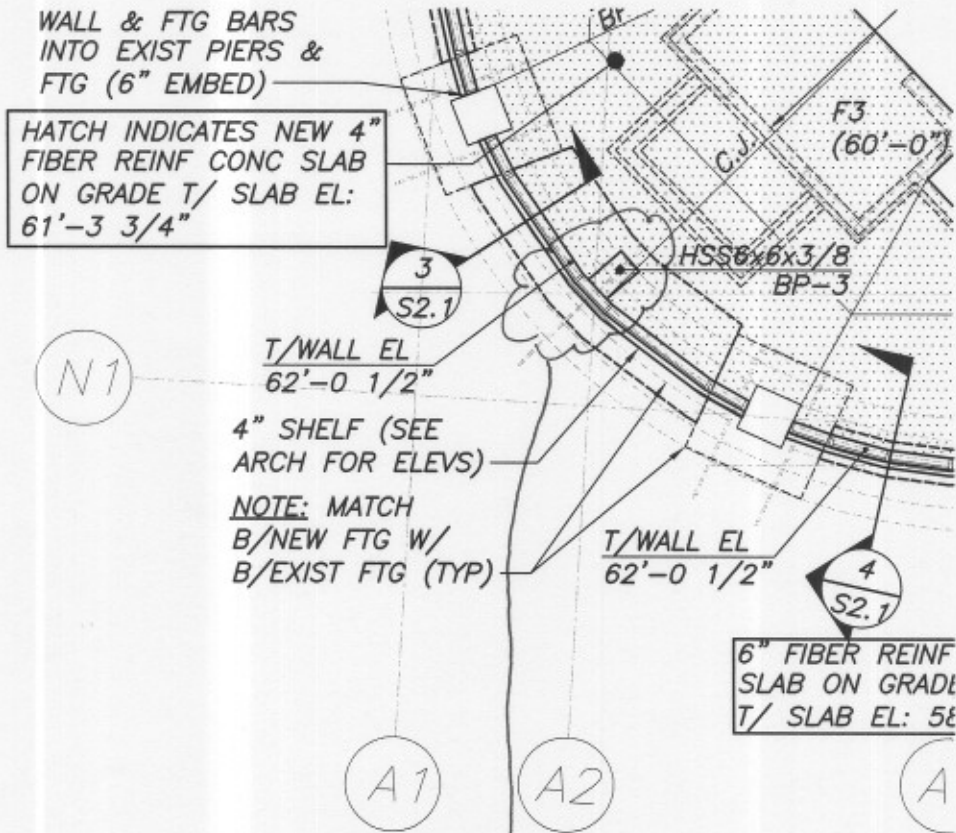
Designed	NRM
Drawn	CHF
Checked	PBB
Scale	AS NOTED
Date	7/13/09

POWERPAY OFFICE
PORTLAND, ME

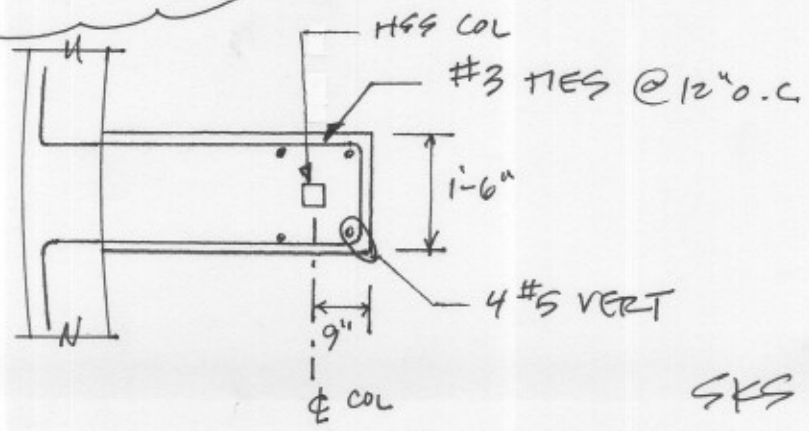
Becker Job Number
2036

SKS-14

POWER PAVY
7/13/09
BECKER STREET

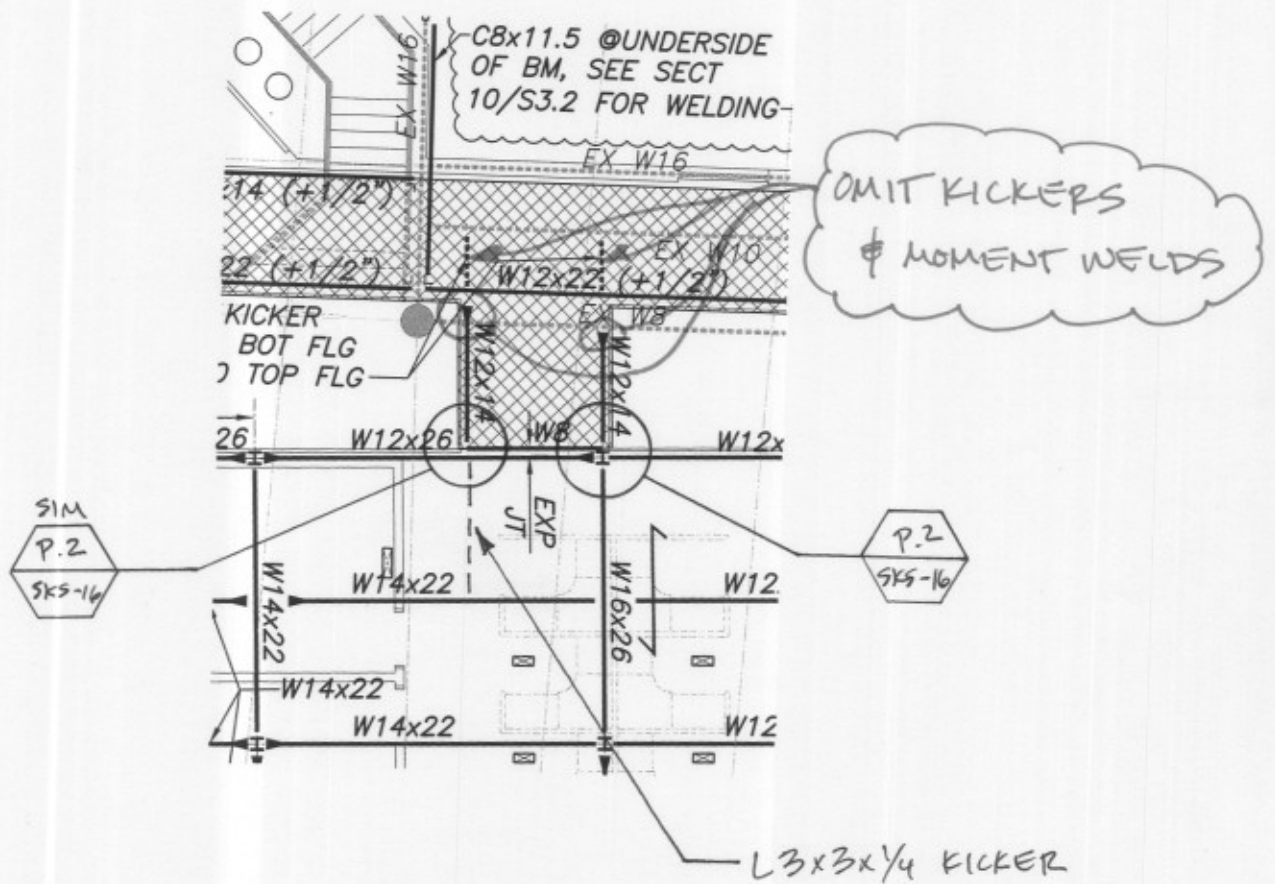


18" x 18" PIER w/(4)-#5 VERT & #3 TIES @ 12" O.C.
T/PIER EL 60'-8"



SKS-15

POWERPAY
7/13/09
BECKER STRUCT



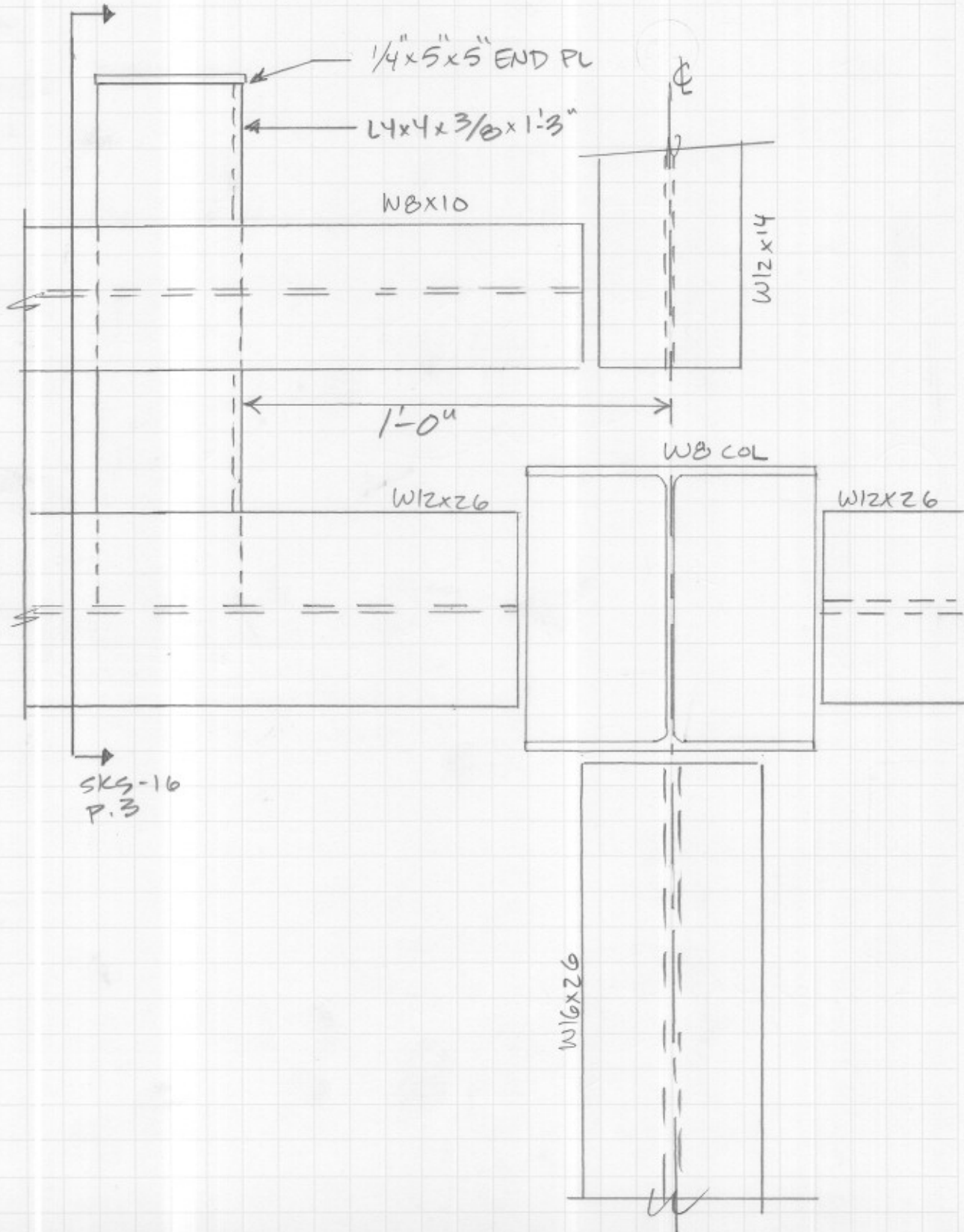
- REVISIONS TYPICAL @ (3) "CATWALK"
LOCATIONS -

BECKER

structural engineers, inc.

75 York Street, Portland, ME 04101-4550
Tel. 207-879-1838 ■ Fax 207-879-1822

Project POWERPAY
W.O. 2036 Sheet Of
Calculated By: Date 7/13/09
Checked By: Date



SKS-16
P.3

SKS-16 P.2

POWER PAY
7/13/09
BECKER STRUCT

