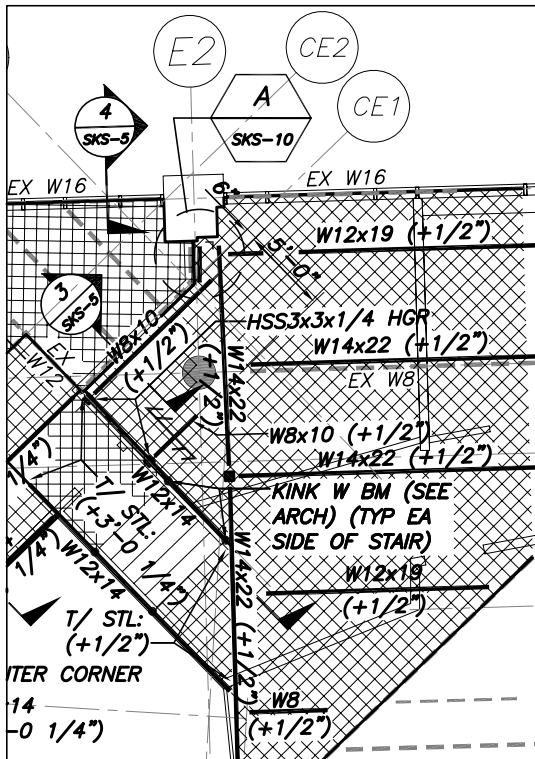
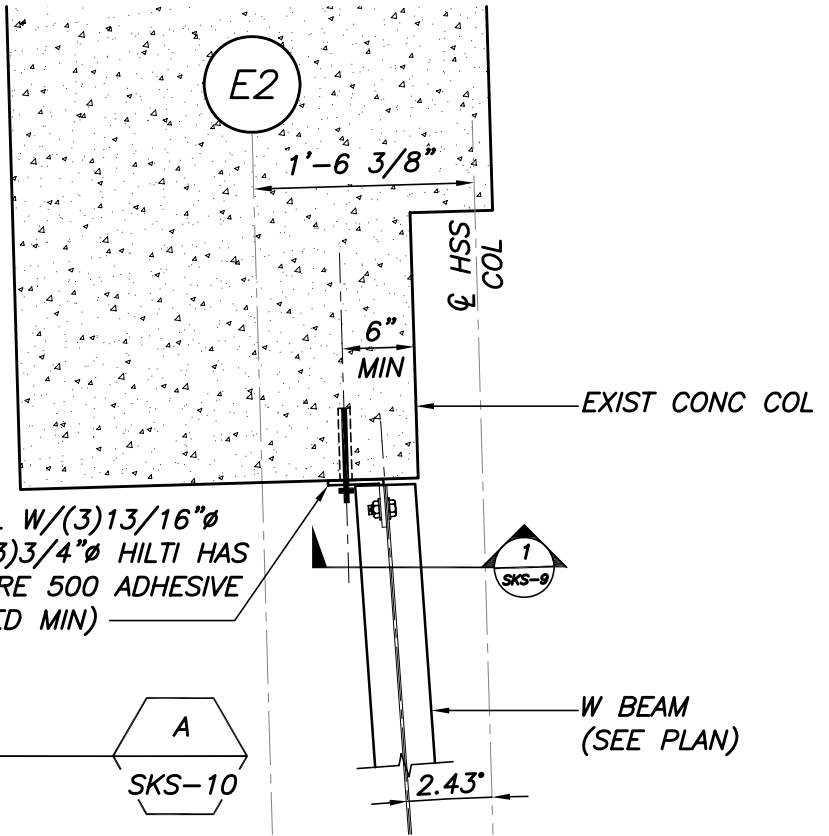
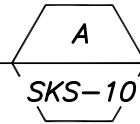


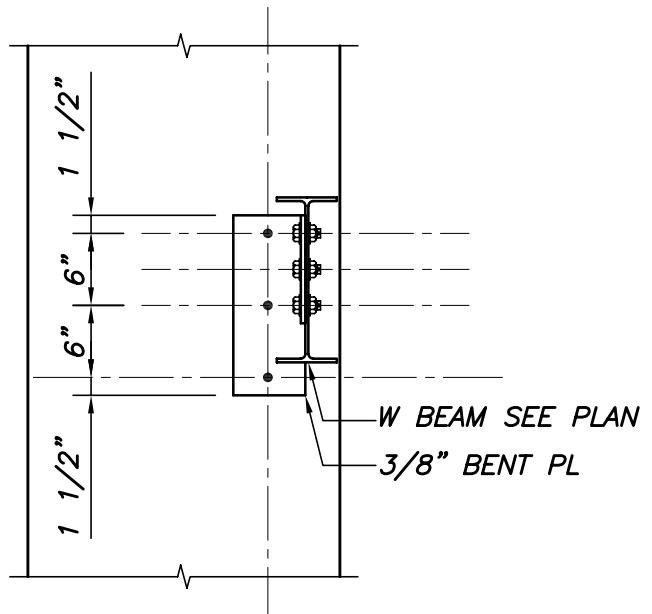
NOTE: SURROUNDING BEAMS NOT SHOWN FOR CLARITY

3/8" BENT PL W/(3)13/16" Ø HOLES FOR (3)3/4" Ø HILTI HAS RODS W/HIT-RE 500 ADHESIVE (6 3/4" EMBED MIN)

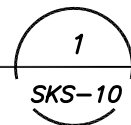
DETAIL
3/4" = 1'-0"



REFERENCE DWG S1.2



SECTION
3/4" = 1'-0"



BECKER
structural engineers, inc.

75 York Street
Portland, ME 04101-4701
info@beckerstructural.com

Tel 207-879-1838
Fax 207-879-1822
www.beckerstructural.com

Designed	NRM
Drawn	CHF
Checked	PBB
Scale	AS NOTED
Date	6/3/09

POWERPAY OFFICE
PORTLAND, ME

Becker Job Number
2036

SKS-10