



POWER PAY OFFICE FIT UP

Winton Scott
Architects
5 Milk Street
Portland, Maine 04101

Wright Ryan
Construction, Inc.
10 Danforth Street
Portland, Maine 04101

Becker Structural
Engineers, Inc.
75 York Street
Portland, Maine 04101

Mechanical
Systems
Engineers
10 Royal River Center
Yarmouth, Maine 04096

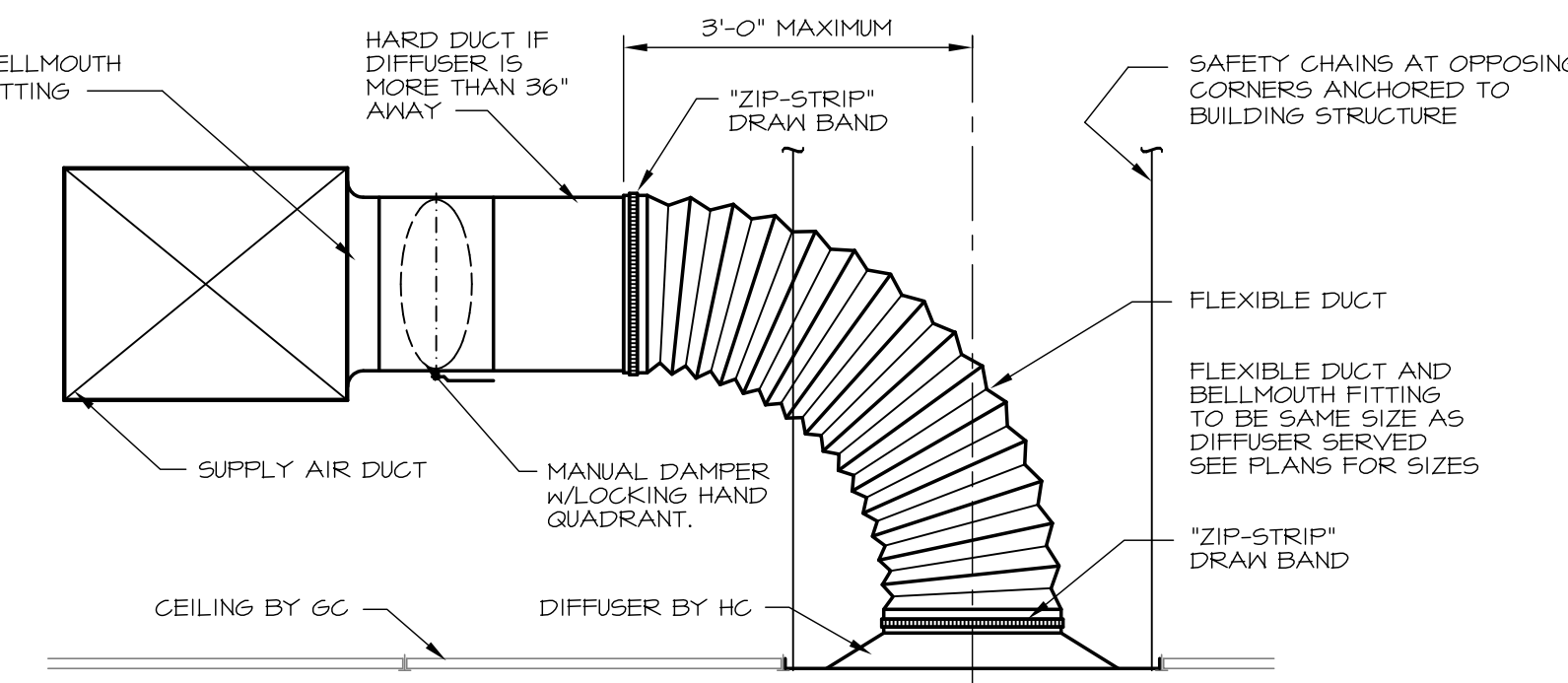
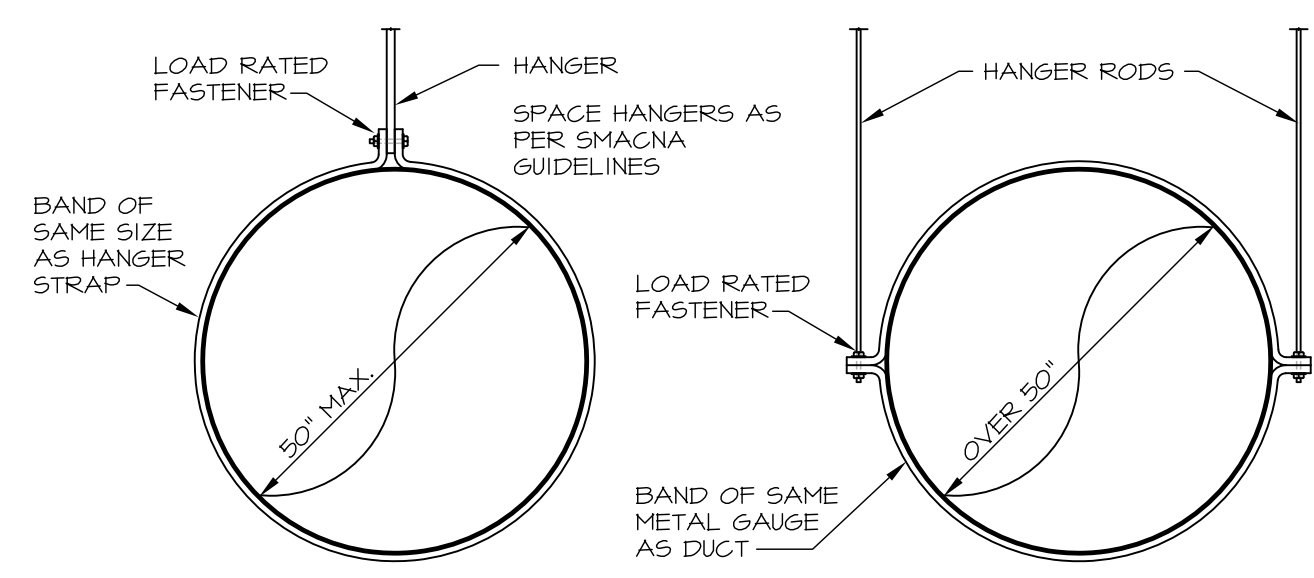
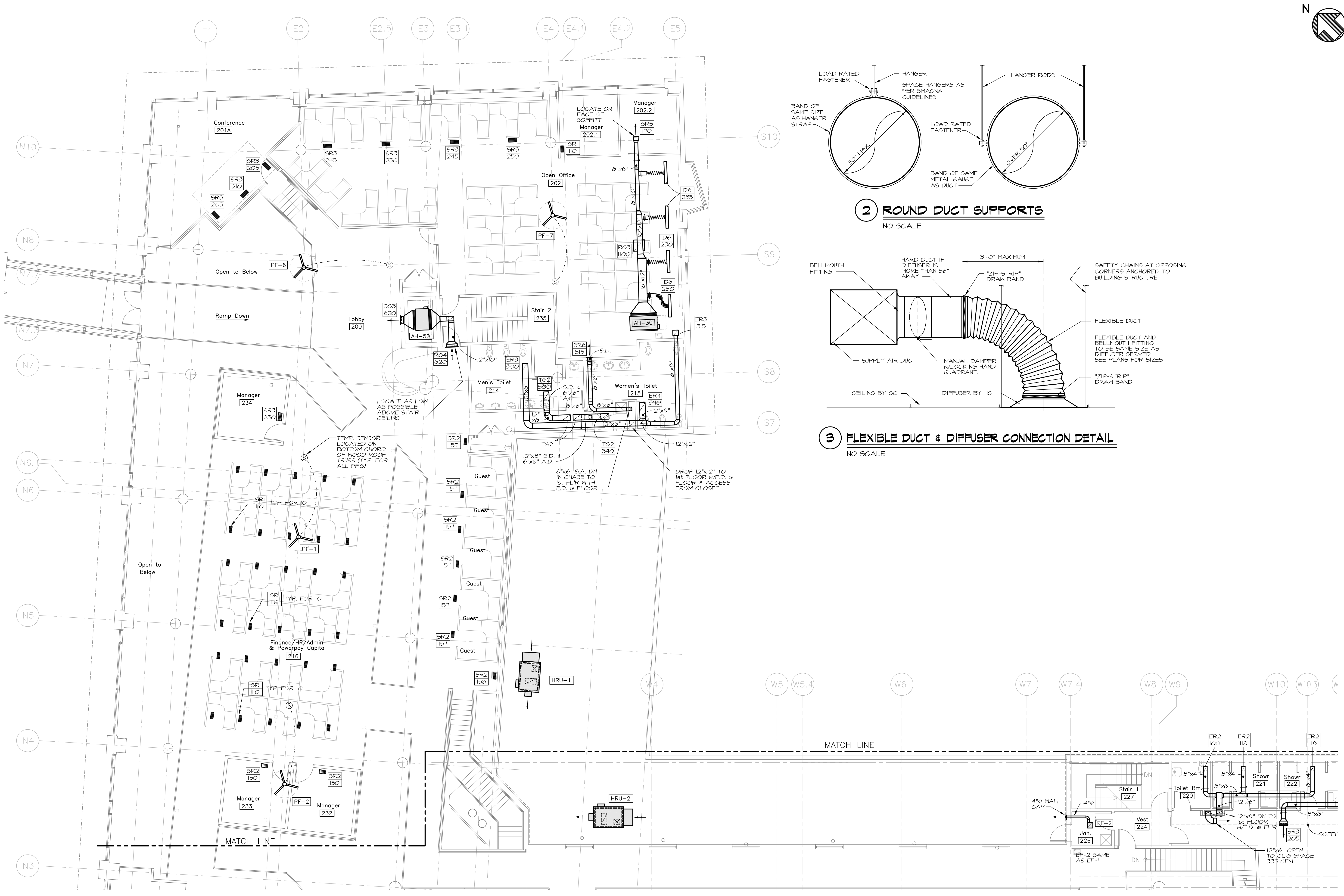
Bartlett Design
942 Washington Ave.
Bath, Maine 04530

Fore Solutions
386 Fore Street
Portland, Maine 04101

MEZZANINE NORTH MECHANICAL DUCTWORK PLAN

M3

Incorporates all revisions and changes
up to and including October 09, 2009
Scale: 1/8" = 1'-0" Date: 03.20.09
M.S.E. Proj. 0931



1 MEZZANINE NORTH MECHANICAL DUCTWORK
SCALE: 1/8" = 1'-0"



MECHANICAL SYSTEMS ENGINEERS
ROYAL RIVER CENTER, UNIT #10
10 FOREST FALLS DRIVE
YARMOUTH, MAINE 04096
VOICE: (207) 846-1441
FAX: (207) 846-1443
mechsyst@maine.net
© COPYRIGHT 2009

October 09, 2009 - 8:55 am
\\Meerfast\projects\0931 Power Pay 1\Drawings\0931_M1-M4.dwg