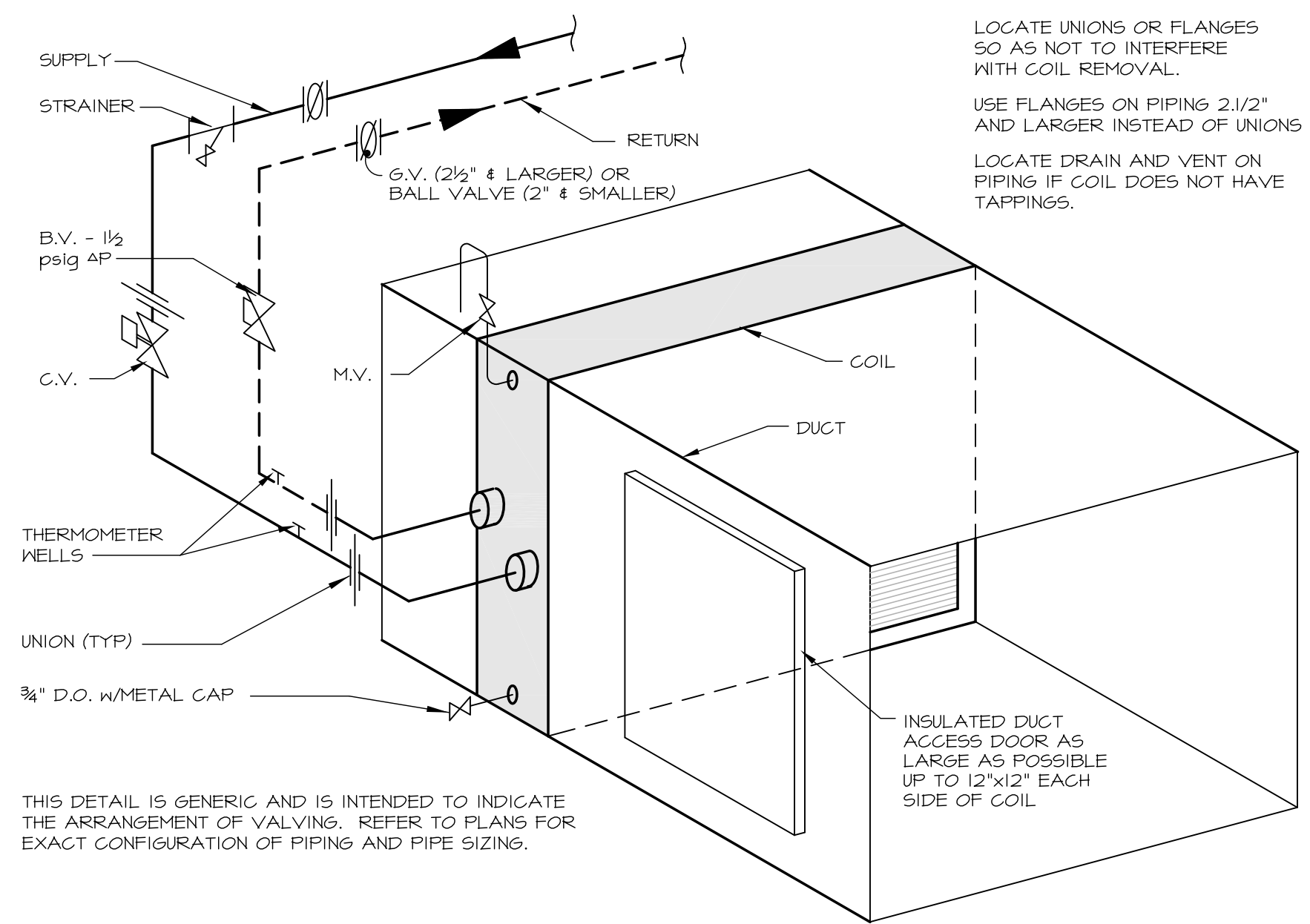
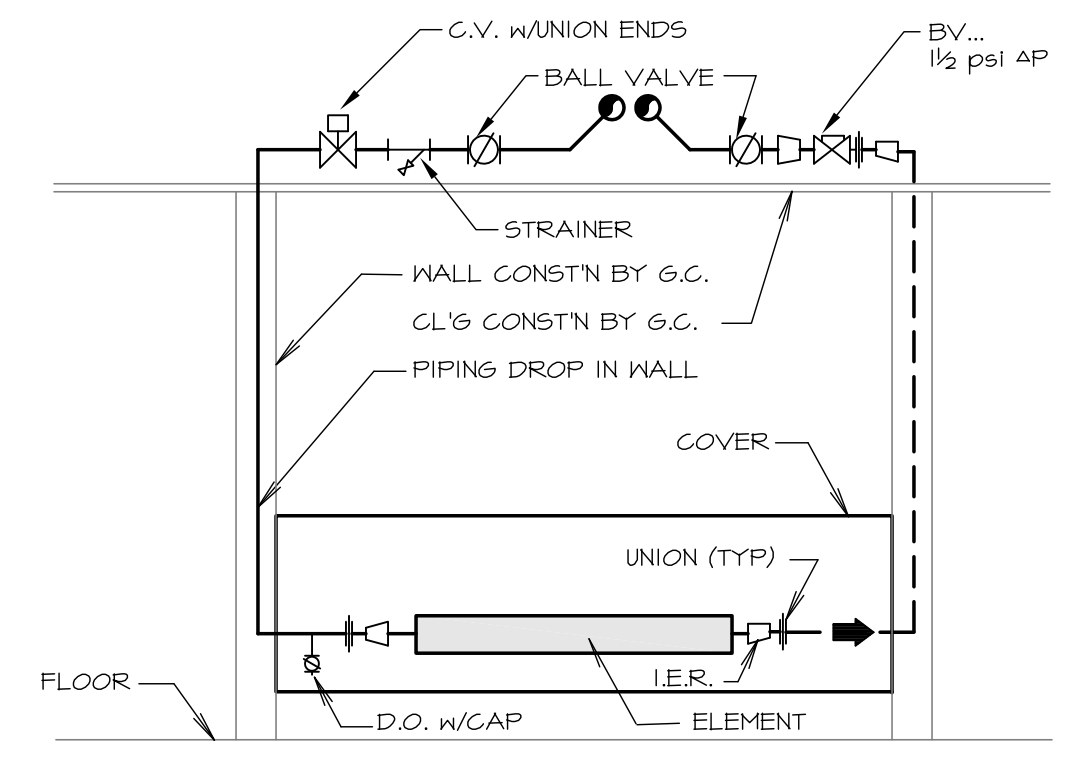




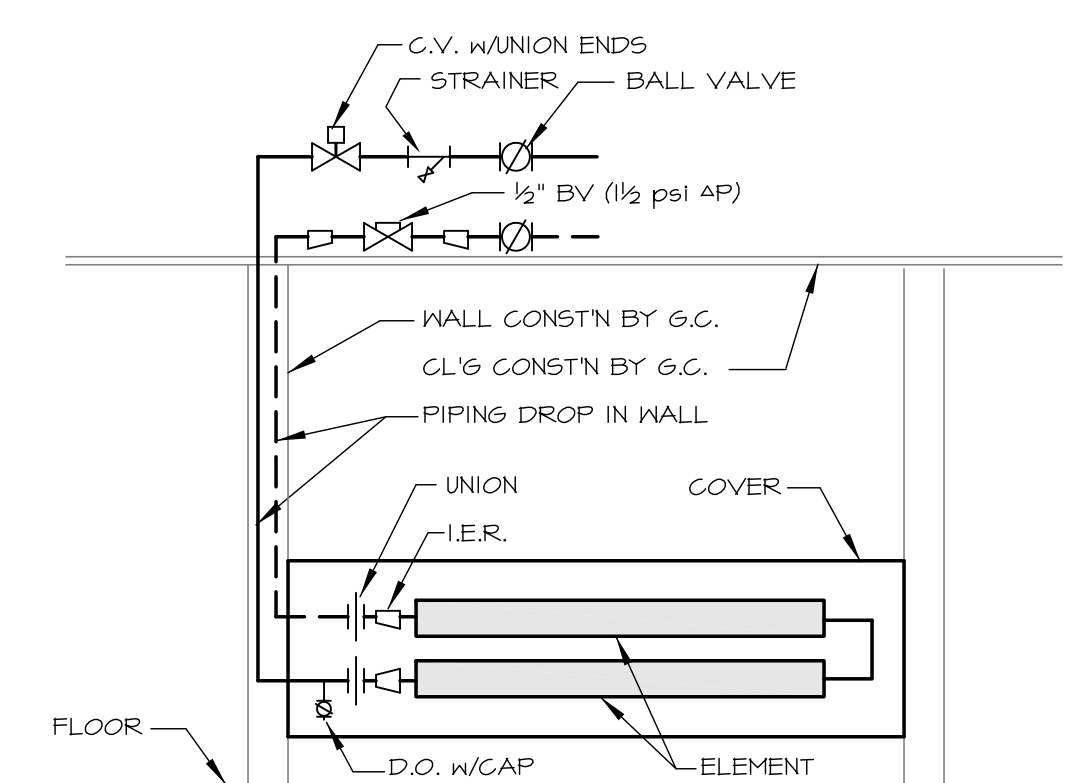
# POWER PAY OFFICE FIT UP



**1 DUCT HOT WATER COIL DETAIL**  
NO SCALE



**2 DOWNFEED FINNED PIPE  
OPPOSITE END FEED**  
NO SCALE



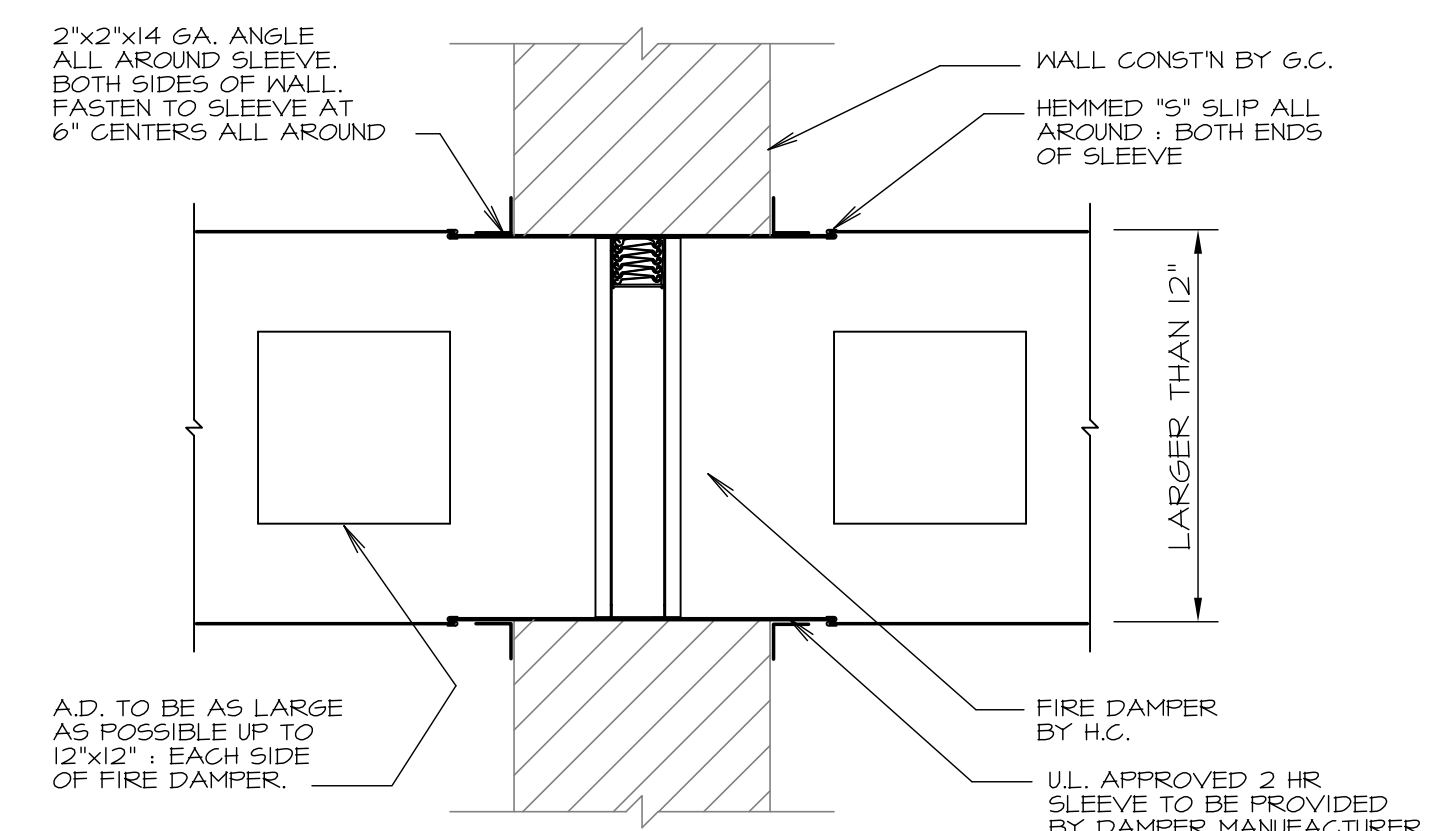
**3 DOWNFEED FINNED PIPE  
TWO TIER ELEMENT**  
NO SCALE

LOCATE UNIONS OR FLANGES SO AS NOT TO INTERFERE WITH COIL REMOVAL.  
USE FLANGES ON PIPING 2 1/2" AND LARGER INSTEAD OF UNIONS  
LOCATE DRAIN AND VENT ON PIPING IF COIL DOES NOT HAVE TAPPINGS.

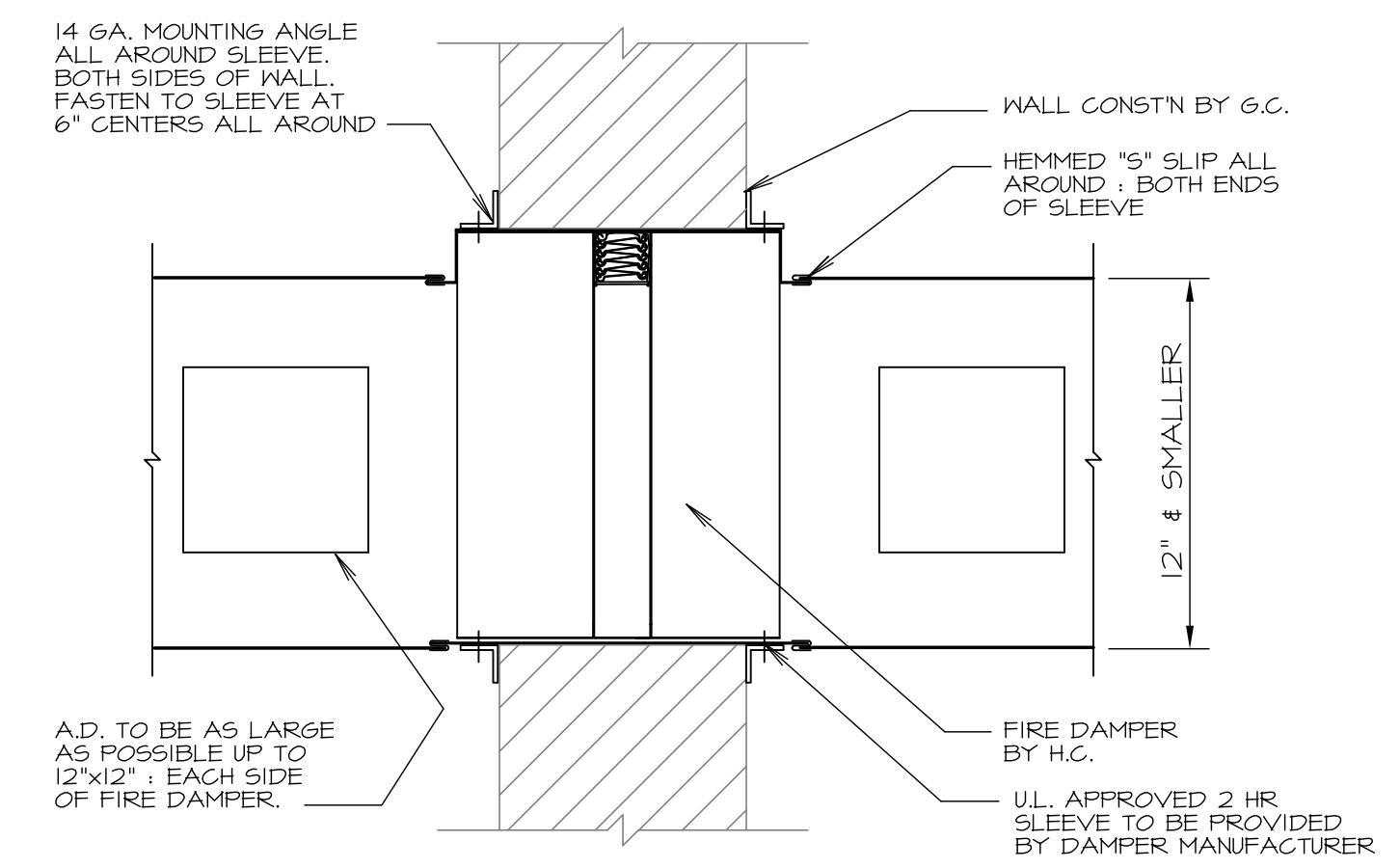
UNIT HEATER SCHEDULE												
TAG	TYPE	AREA SERVED	E.W.T.	E.A.T.	MBH	GPM	W.P.D.	CFM	MOTOR HP	FAN RPM	ELECTRIC	REMARKS
UH-1	HORIZONTAL	142 KITCHEN	180	60	15.00	1.55	0.04'	541	1/20	1,550	120V-60-1P	DOUBLE DEFLECTION LOUVER
CUH-3	HORIZ. CABINET	151 VESTIBULE	180	60	47.20	2.80	2.92'	541	125 IN.	1,084	120V-60-1P	FLUSH TO CEILING, TRANE FFEBO6

FINNED PIPE SCHEDULE						
TAG	TYPE	ELEMENT	LENGTH	BTU/HR	GPM	REMARKS
FP-A	14" FLAT TOP COVER TOP OUTLET	3/4" COPPER, 3/14" SQ. ALUMINUM FINNS, 50/LF	SEE PLANS	840 / LF	0.10 PER MBH	18" AFF TO TOP SINGLE TIER ELEMENT
FP-B	14" FLAT TOP COVER TOP OUTLET	3/4" COPPER, 4.1/4" x 3.5/8 ALUMINUM FINNS, 50/LF	SEE PLANS	1,090 / LF	0.10 PER MBH	18" AFF TO TOP SINGLE TIER ELEMENT
FP-C	10" WIDE FLAT TOP COVER, TOP OUTLET	3/4" COPPER, 4.1/4" x 3.5/8 ALUMINUM FINNS, 50/LF	SEE PLANS	1,430 / LF	0.10 PER MBH	DOUBLE WIDE PEDISTAL 10.3/4" AFF TO TOP
FP-D	11" SLOPE TOP COVER	3/4" COPPER, 3/14" SQ. ALUMINUM FINNS, 50/LF	SEE PLANS	810 / LF	0.10 PER MBH	15" AFF TO TOP SINGLE TIER ELEMENT
FP-E	20" FLAT TOP COVER TOP OUTLET	3/4" COPPER, 4.1/4" x 3.5/8 ALUMINUM FINNS, 50/LF	SEE PLANS	1,720 / LF	0.10 PER MBH	24" AFF TO TOP TWO TIER ELEMENT
EFP-1	14" FLAT TOP COVER TOP OUTLET	3/4" COPPER, 4.1/4" x 3.5/8 ALUMINUM FINNS, 50/LF	EXISTING	EXISTING	EXISTING	SAME AS FP-B REPLACE COVER
EFP-2	10" WIDE FLAT TOP COVER, TOP OUTLET	3/4" COPPER, 4.1/4" x 3.5/8 ALUMINUM FINNS, 50/LF	EXISTING	EXISTING	EXISTING	SAME AS FP-C REPLACE COVER

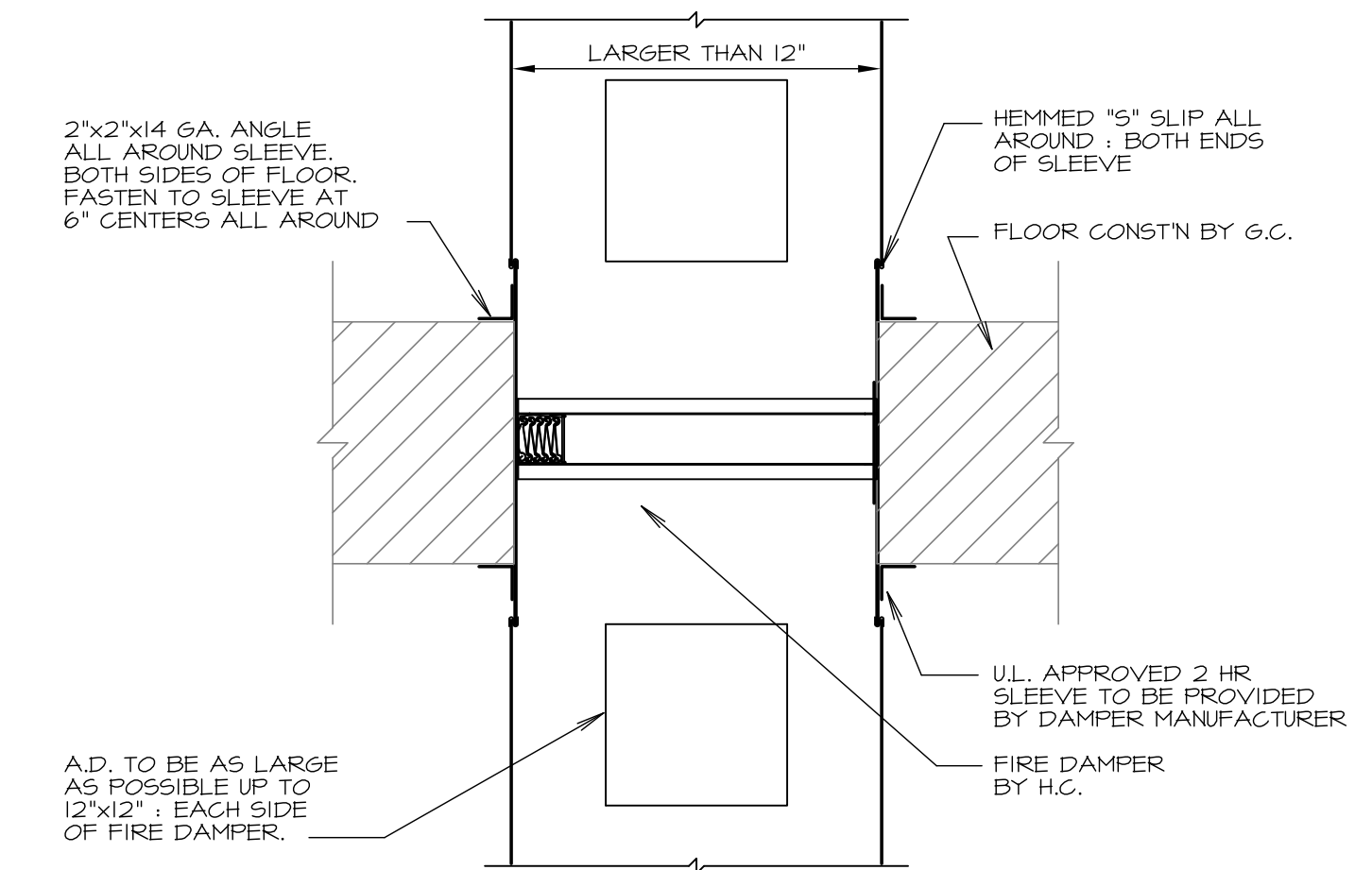
CAPACITIES BASED ON 180° ENT W/20° DROP (170 DEG. ANT)



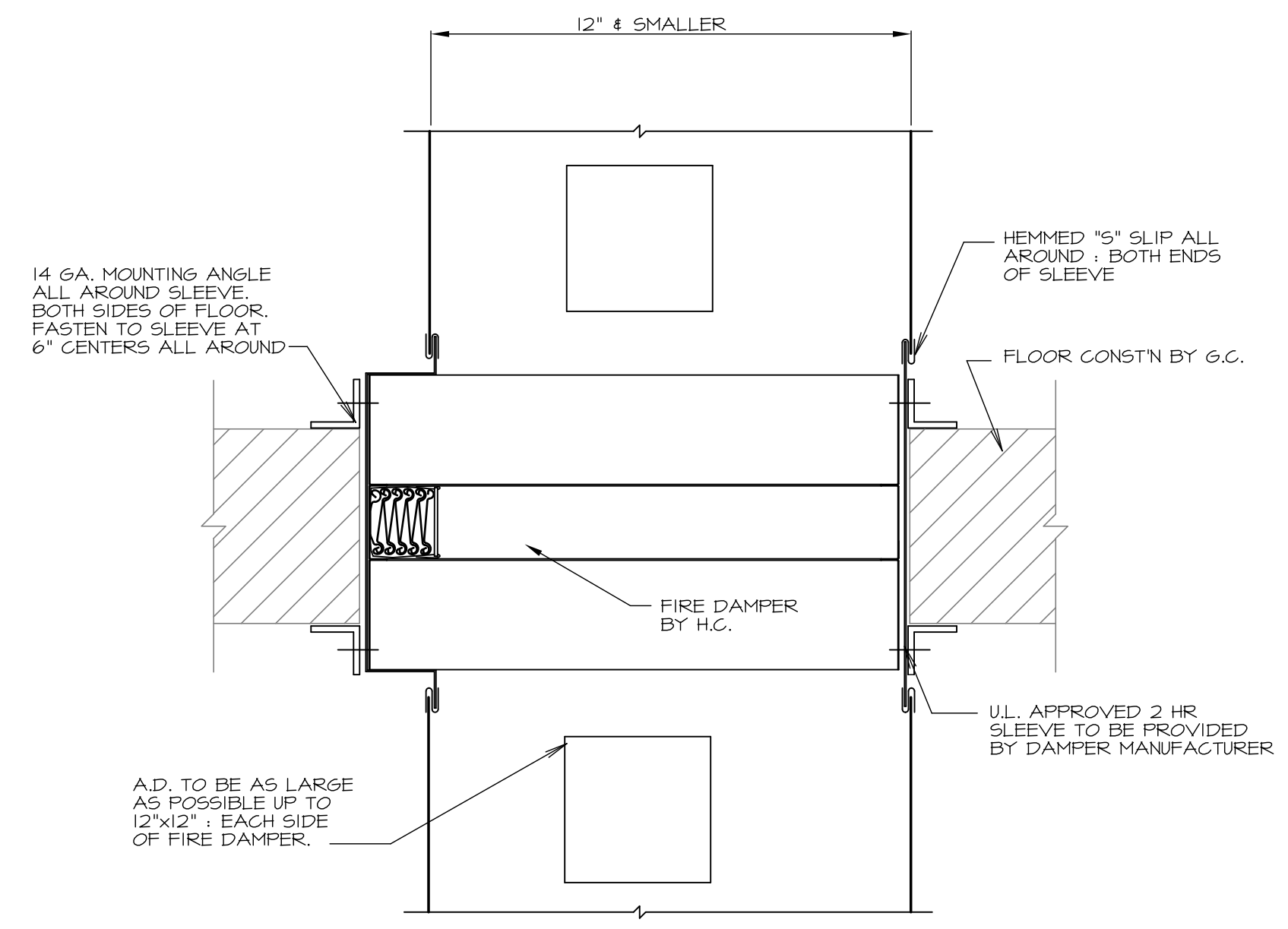
**4 WALL FIRE DAMPER STYLE "A"**  
NO SCALE



**5 WALL FIRE DAMPER STYLE "B"**  
NO SCALE



**6 FLOOR FIRE DAMPER STYLE "A"**  
NO SCALE



**7 FLOOR FIRE DAMPER STYLE "B"**  
NO SCALE

Winton Scott Architects  
5 Milk Street  
Portland, Maine 04101

Wright Ryan Construction, Inc.  
10 Danforth Street  
Portland, Maine 04101

Becker Structural Engineers, Inc.  
75 York Street  
Portland, Maine 04101

Mechanical Systems Engineers  
10 Royal River Center  
Yarmouth, Maine 04096

Bartlett Design  
942 Washington Ave.  
Bath, Maine 04530

Fore Solutions  
386 Fore Street  
Portland, Maine 04101

GENERAL MECHANICAL DETAILS

# M15

**MECHANICAL SYSTEMS ENGINEERS**  
ROYAL RIVER CENTER, UNIT #10  
10 FOREST FALLS DRIVE  
YARMOUTH, MAINE 04096  
VOICE: (207) 846-1441  
FAX: (207) 846-1443  
mechsyst@maine.net  
© COPYRIGHT 2009

Incorporates all revisions and changes up to and including October 09, 2009  
Scale: As Noted Date: 03.20.09  
M.S.E. Proj: 0931