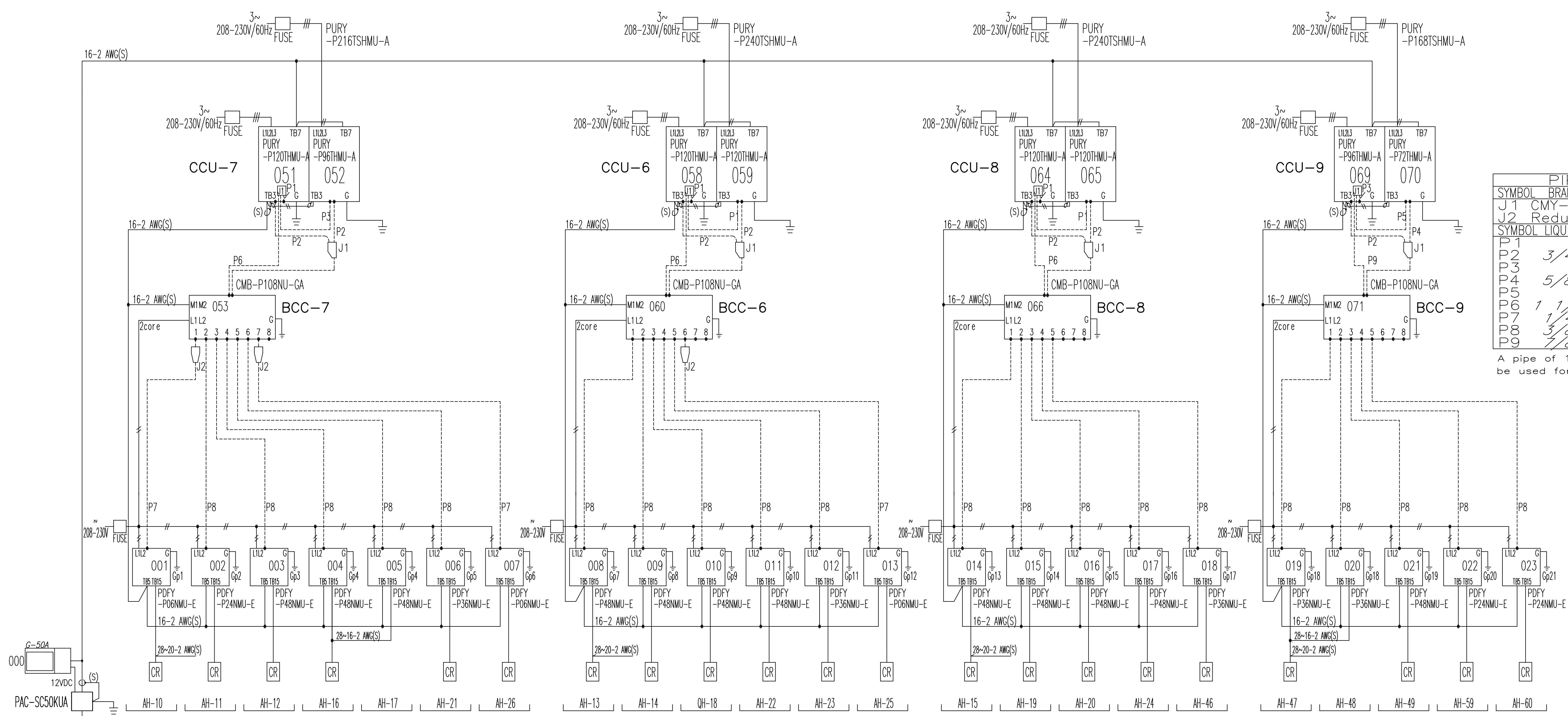


0931 Power Pay

DIAGRAM	SYMBOL	LEGEND	CONT.No	PAGE	1 / 1
---	---	---			
---	---	POWER WIRE			
---	---	CONTROL WIRE			
---	---	REF. PIPE			



PIPING LIST		
SYMBOL	BRANCH PIPE	MODEL NAME
J1	CMY-R100VBK	
J2	Reducer	
SYMBOL	LIQUID PIPE/GAS PIPE	SIZE
P1		1 1/8
P2	3/4	7/8
P3		3/4
P4	5/8	1 1/8
P5		1 1/8
P6	1 1/8	1 1/8
P7	1/4	1 1/8
P8	3/8	5/8
P9	1/8	1 1/8

A pipe of 1 inch can be used for the High press pipe.

REMARKS
 1.25mm² (16 AWG) : 1.25mm² (16 AWG) or more.
 0.75mm² (20 AWG) : between 0.5mm² (24 AWG) and 0.75mm² (20 AWG).

POWER PAY
OFFICE FIT UP

Winton Scott Architects
5 Milk Street
Portland, Maine 04101

Wright Ryan Construction, Inc.
10 Danforth Street
Portland, Maine 04101

Becker Structural Engineers, Inc.
75 York Street
Portland, Maine 04101

Mechanical Systems Engineers
10 Royal River Center
Yarmouth, Maine 04096

Bartlett Design
942 Washington Ave.
Bath, Maine 04530

Fore Solutions
386 Fore Street
Portland, Maine 04101

HEAT PUMP SYSTEM DIAGRAMS

M14

MECHANICAL SYSTEMS ENGINEERS
 ROYAL RIVER CENTER, UNIT #10
 10 FOREST FALLS DRIVE
 YARMOUTH, MAINE 04096
 VOICE: (207) 846-1441
 FAX: (207) 846-1443
 mechsys@maine.net.com
 © COPYRIGHT 2009

Incorporates all revisions and changes up to and including October 09, 2009
 Scale: As Noted Date: 03.20.09
 M.S.E. Proj: 0931