

POWER PAY OFFICE FIT UP

Winton Scott Architects
5 Milk Street
Portland, Maine 04101

Wright Ryan Construction, Inc.
10 Danforth Street
Portland, Maine 04101

Becker Structural Engineers, Inc.
75 York Street
Portland, Maine 04101

Mechanical Systems Engineers
10 Royal River Center
Yarmouth, Maine 04096

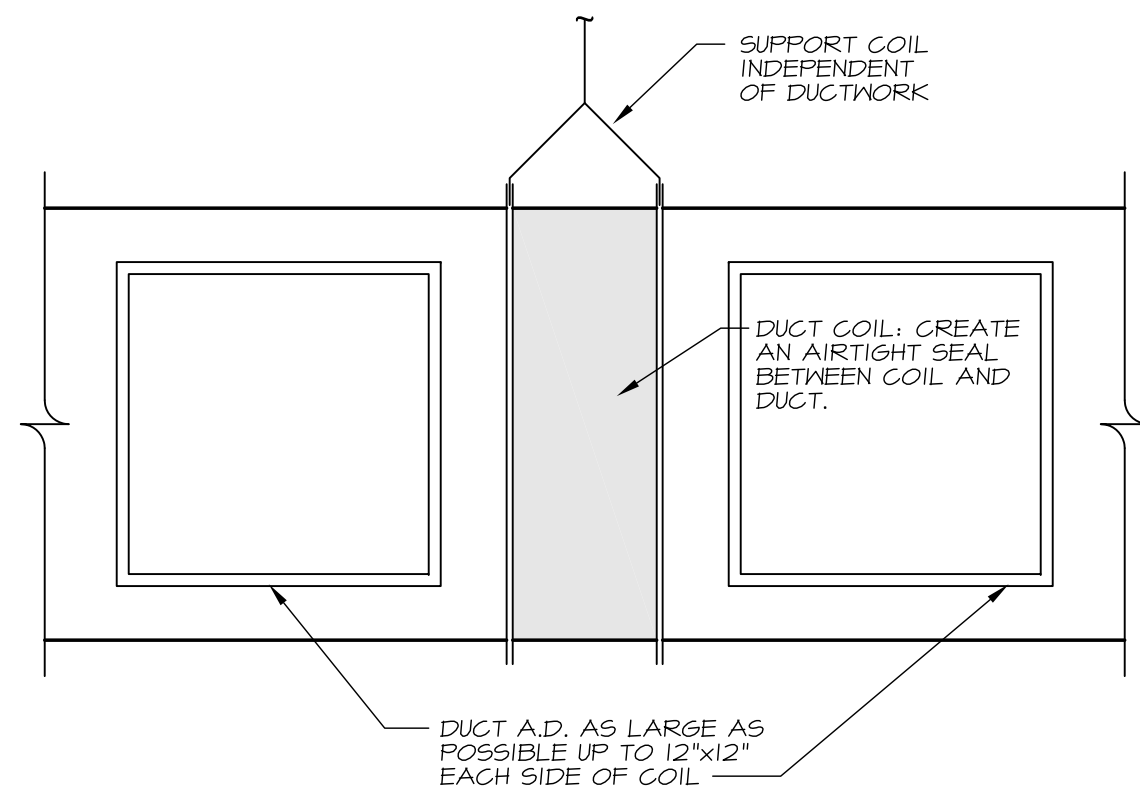
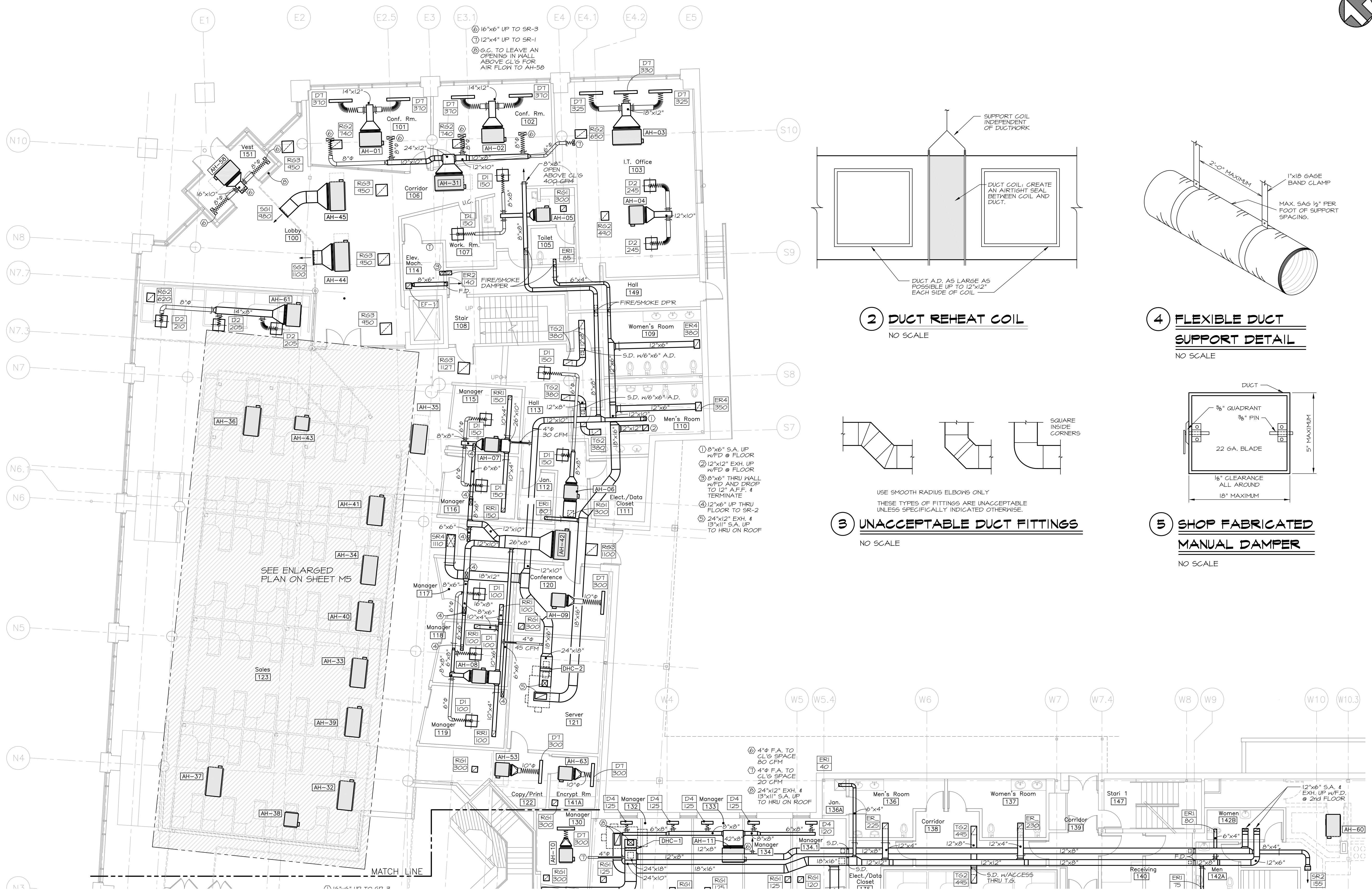
Bartlett Design
942 Washington Ave.
Bath, Maine 04530

Fore Solutions
386 Fore Street
Portland, Maine 04101

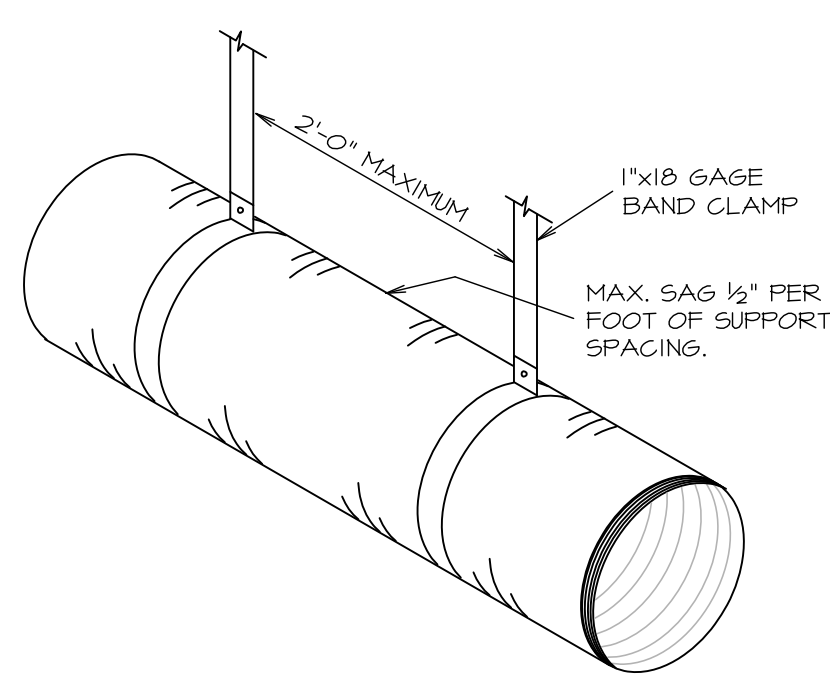
FIRST FL'R NORTH MECHANICAL DUCTWORK PLAN

M1

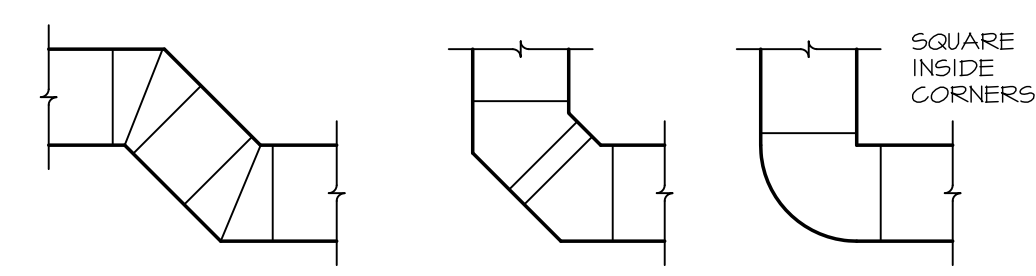
Incorporates all revisions and changes up to and including October 09, 2009
Scale: 1/8" = 1'-0" Date: 03.20.09
M.S.E. Proj. 0931



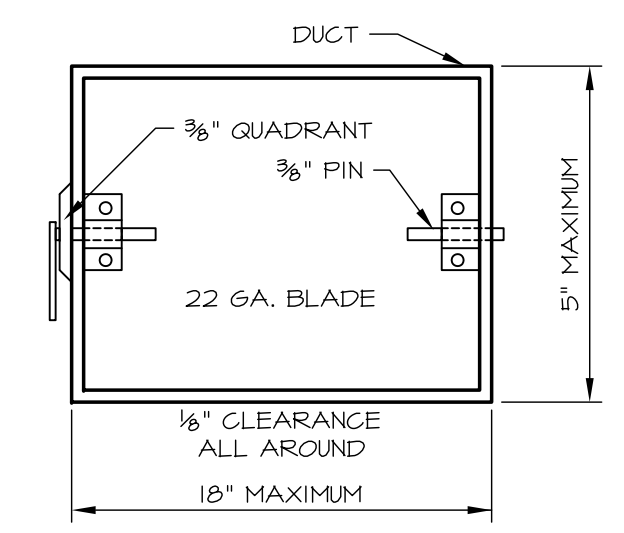
2 DUCT REHEAT COIL
NO SCALE



4 FLEXIBLE DUCT SUPPORT DETAIL
NO SCALE



3 UNACCEPTABLE DUCT FITTINGS
NO SCALE



5 SHOP FABRICATED MANUAL DAMPER
NO SCALE

1 FIRST FLOOR NORTH MECHANICAL DUCTWORK
SCALE: 1/8" = 1'-0"



MECHANICAL SYSTEMS ENGINEERS
ROYAL RIVER CENTER, UNIT #10
10 FOREST FALLS DRIVE
YARMOUTH, MAINE 04096
VOICE: (207) 846-1441
FAX: (207) 846-1443
mechsys@maine.me.com
© COPYRIGHT 2009

October 09, 2009 - 8:56 am
\\Meerfast\projects\0931_Power_Pay_M1-M4.dwg