

POWERPAY OFFICE FIT UP

**Winton Scott
Architects**
5 Milk Street
Portland, ME 04101

**Wright Ryan
Construction, Inc.**
10 Danforth Street
Portland, ME 04101

**Becker Structural
Engineers, Inc.**
75 York Street
Portland, Maine 04101

**Mechanical Systems
Engineers**
10 Royal River Center
Yarmouth, Maine 04096

Bartlett Design
942 Washington St.
Bath, Maine 04530

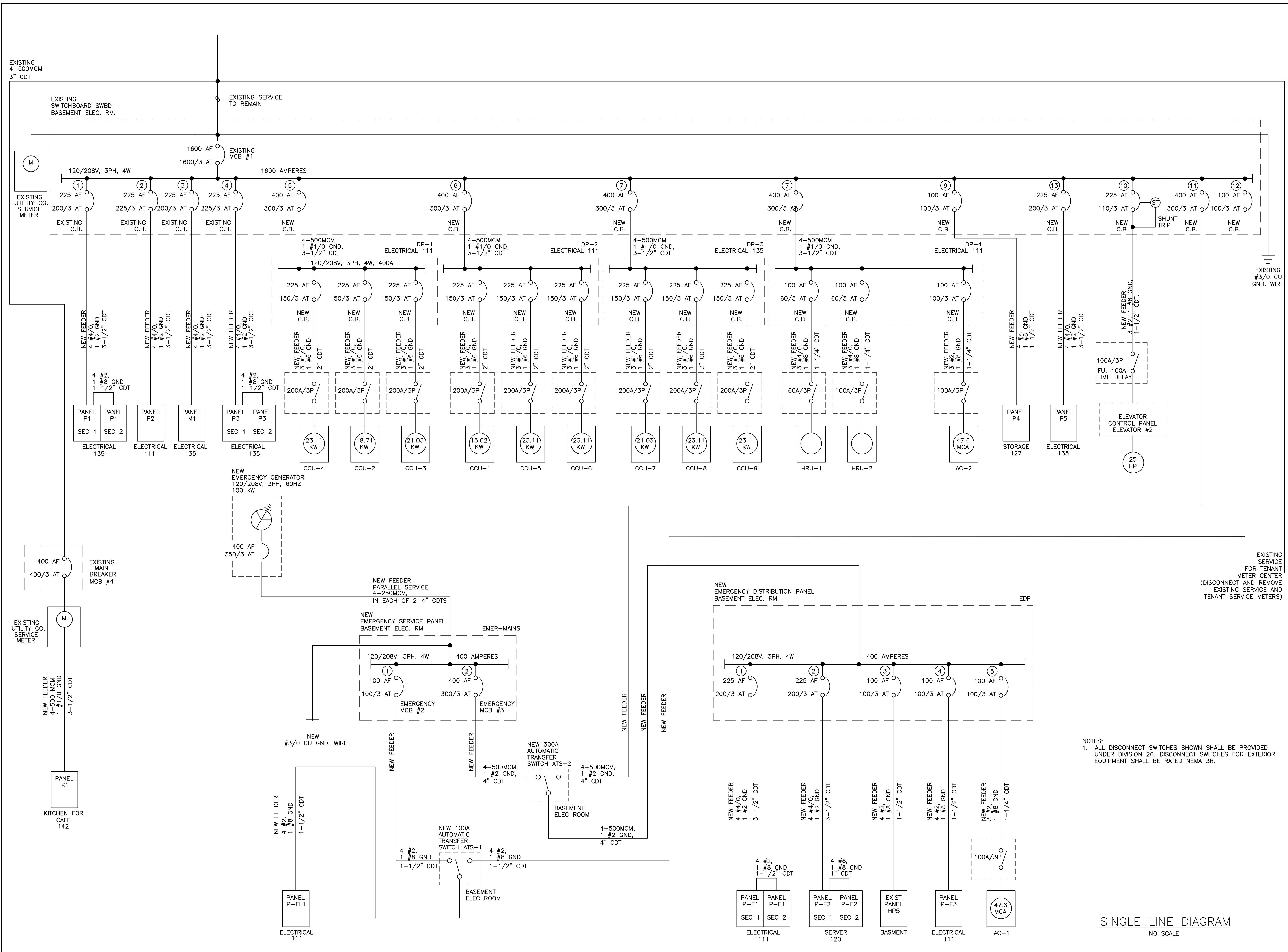
Fore Solutions
386 Fore Street
Portland, Maine 04101

SINGLE LINE DIAGRAM

E3.4

Includes all revisions and changed up
to and including 10-28-09

Scale: None Date: 03-20-09



NOTES:
1. ALL DISCONNECT SWITCHES SHOWN SHALL BE PROVIDED UNDER DIVISION 26. DISCONNECT SWITCHES FOR EXTERIOR EQUIPMENT SHALL BE RATED NEMA 3R.

SINGLE LINE DIAGRAM
NO SCALE