

POWERPAY OFFICE FIT UP

Winton Scott Architects
5 Milk Street
Portland, ME 04101

Wright Ryan Construction, Inc.
10 Danforth Street
Portland, ME 04101

Becker Structural Engineers, Inc.
75 York Street
Portland, Maine 04101

Mechanical Systems Engineers
10 Royal River Center
Yarmouth, Maine 04096

Bartlett Design
942 Washington St.
Bath, Maine 04530

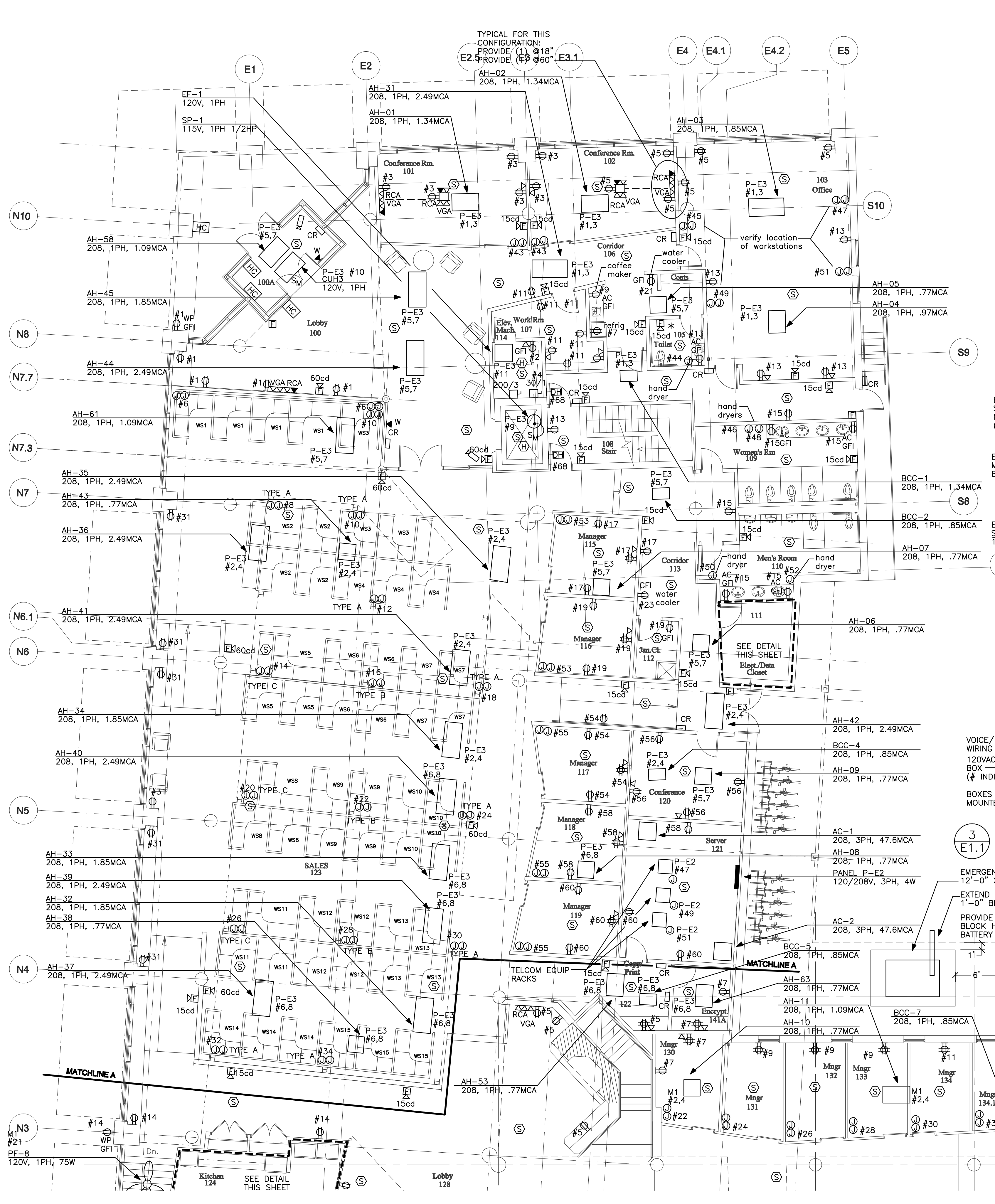
Fore Solutions
386 Fore Street
Portland, Maine 04101

FIRST FLOOR POWER PLAN - PART A

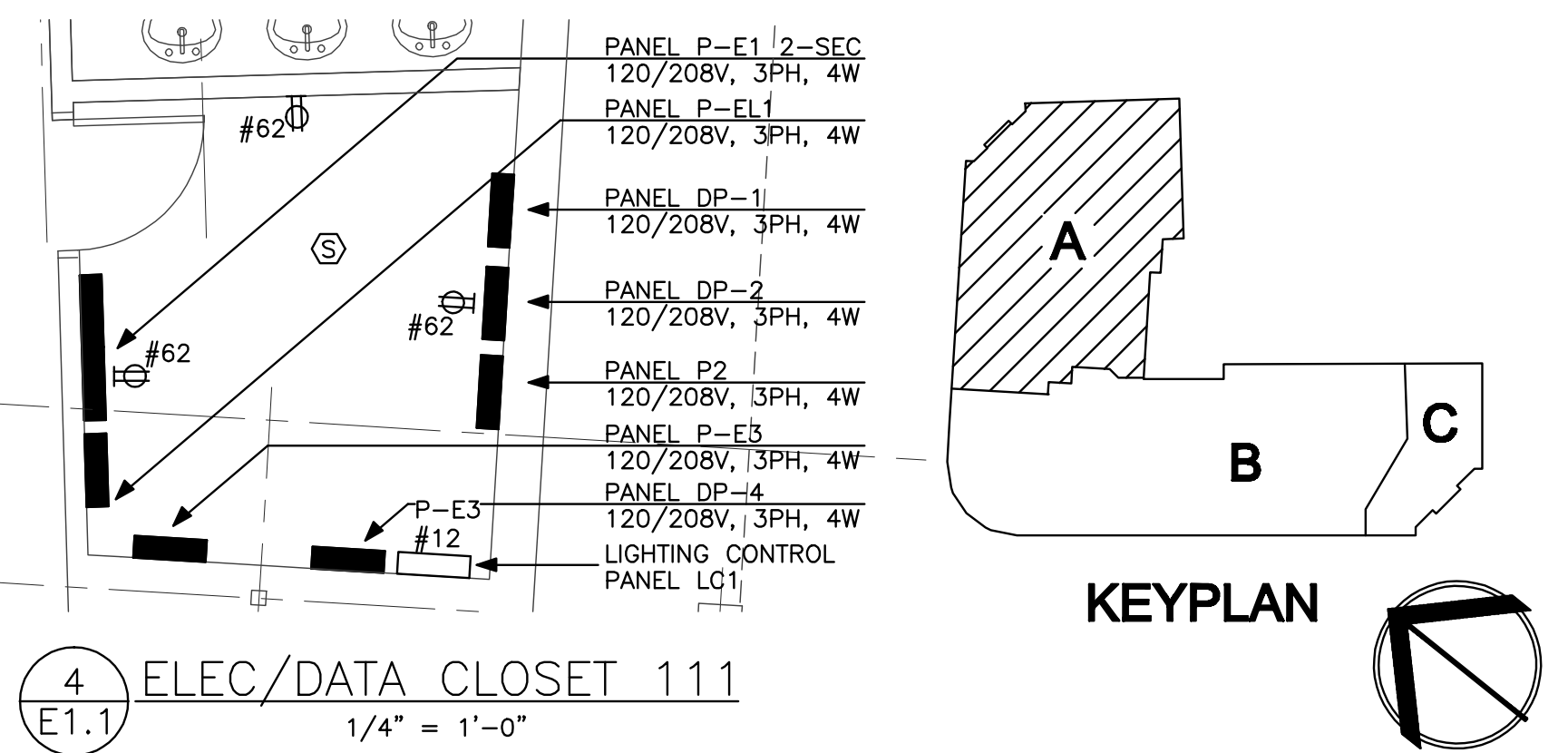
E1.1

Include all revisions and changed up to and including 10-28-09

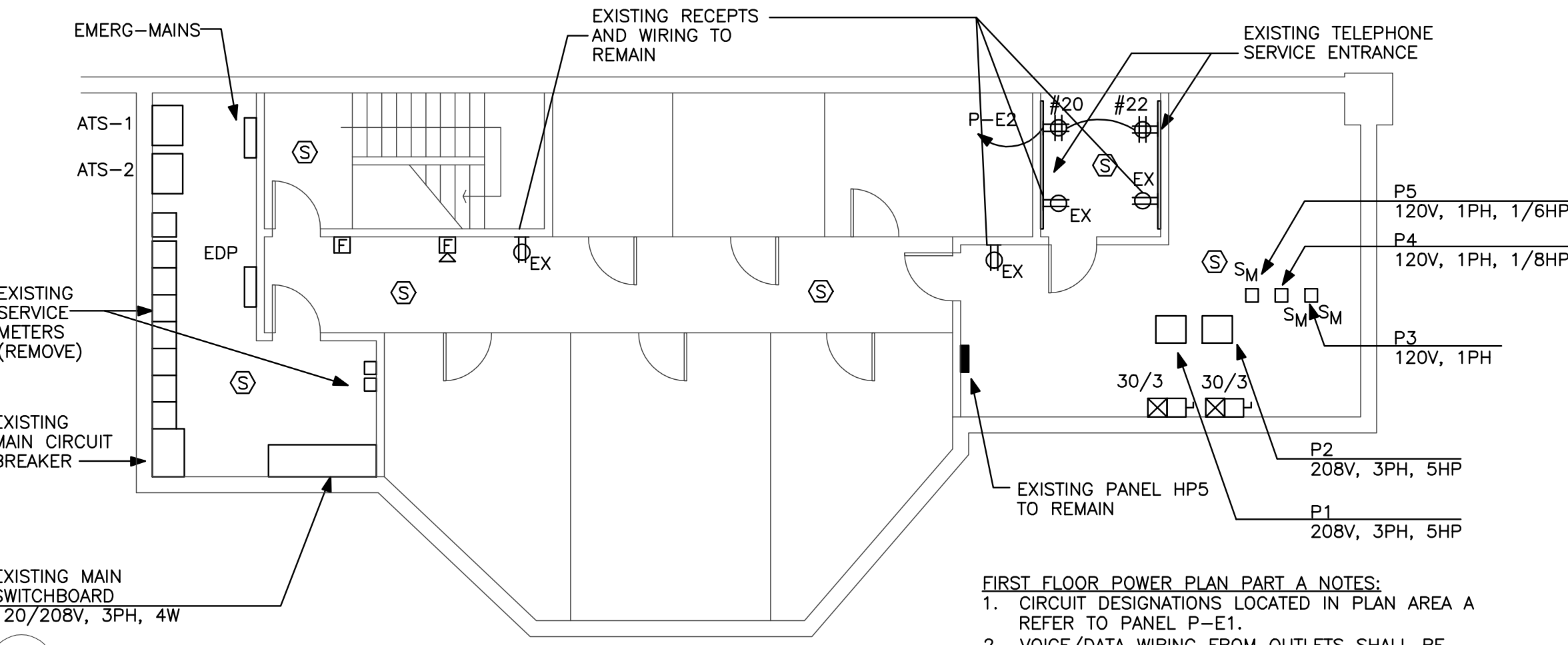
Scale: 1/8" = 1'-0" Date: 03-20-09



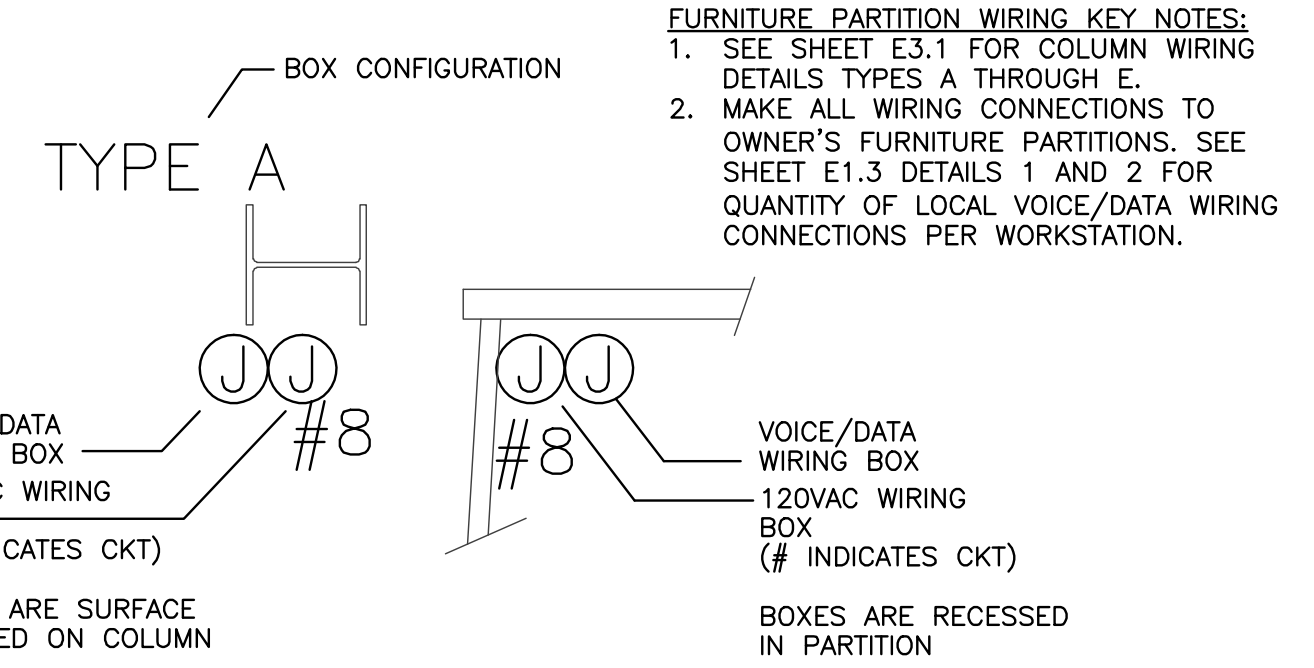
2 FIRST FLOOR POWER PLAN - PART A
E1.1 1/8" = 1'-0"



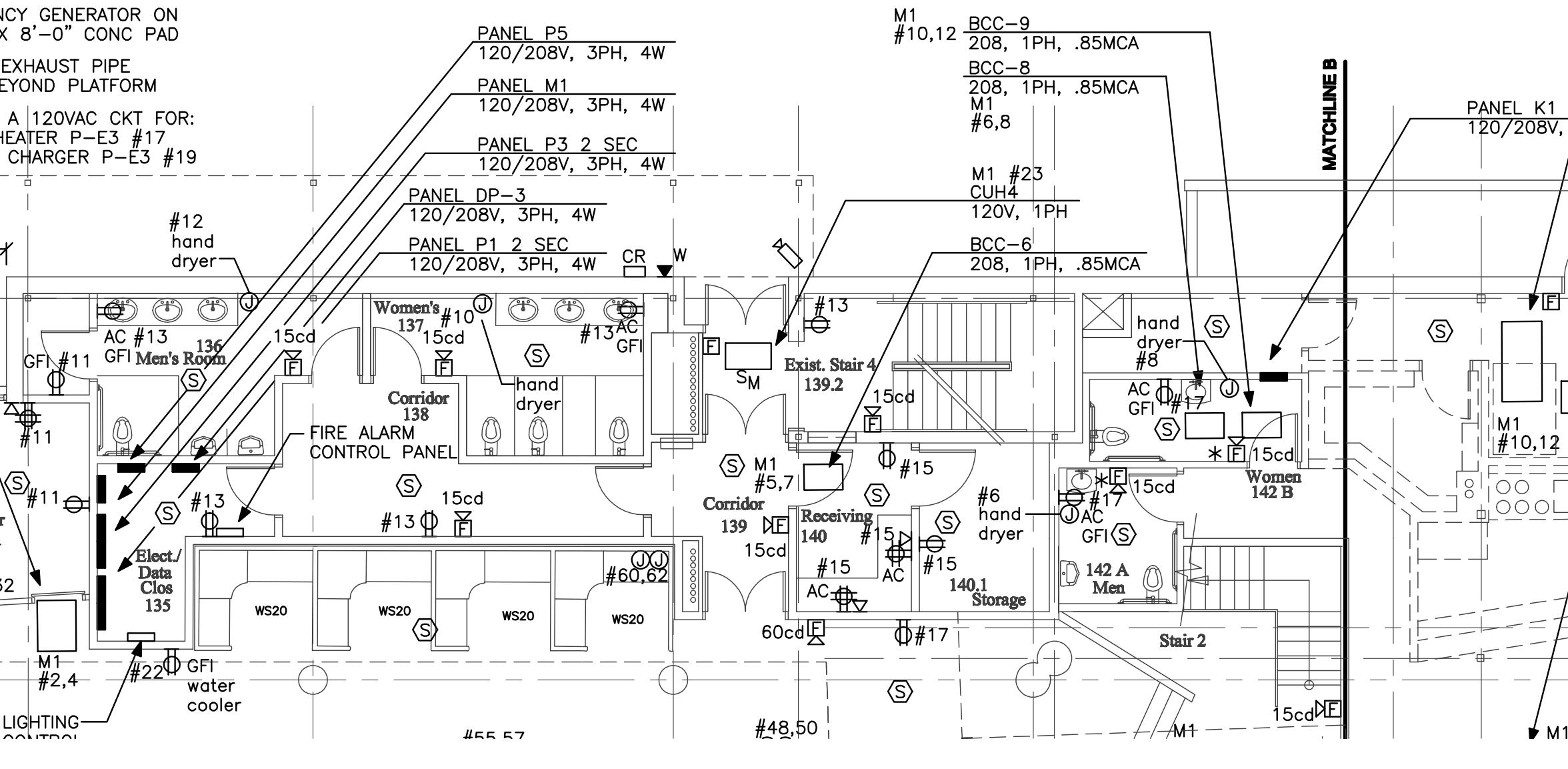
4 ELEC/DATA CLOSET 111
E1.1 1/4" = 1'-0"



1 BASEMENT POWER PLAN
E1.1 1/8" = 1'-0"



3 FURNITURE PARTITION WIRING KEY
E1.1 NOT TO SCALE



2 MATCHLINE
E1.1

- FIRST FLOOR POWER PLAN PART A NOTES:
1. CIRCUIT DESIGNATIONS LOCATED IN PLAN AREA A REFER TO PANEL P-E1.
 2. VOICE/DATA WIRING FROM OUTLETS SHALL BE EXTENDED TO NETWORK SWITCHES LOCATED IN THE CEILING SPACE BETWEEN THE FIRST FLOOR AND THE MEZZANINE. NETWORK SWITCHES TO BE PROVIDED BY OWNER'S CONSULTANT. COORDINATE AS REQUIRED.
 3. WORKSTATIONS LOCATED IN PLAN AREA A SHALL BE CIRCUITED TO PANEL P-E1.
 4. PROVIDE A 30A/2P UNFUSED DISCONNECT SWITCH AT ALL AH UNITS AND ALL BCC UNITS.
 5. DISCONNECT AND REMOVE EXISTING 70A/3P FEEDERS THAT ORIGINATE AT PANEL HP5 THAT SERVE (2) OUTSIDE TRASH COMPACTORS.
 6. PROVIDE TWO 1" BY 36" PRE-DRILLED COPPER GROUND BUS BARS FOR SERVER RM 120. PROVIDE A BARE COPPER #6AWG GROUND CONDUCTOR FROM THE GROUND BUS BARS TO THE ELECTRICAL SERVICE ENTRANCE GROUND SYSTEM.
 7. RUN GENERATOR CONDUITS ALONG THE BOTTOM SURFACE OF THE REAR CANOPY FROM THE MAIN ELECTRICAL ROOM IN THE BASEMENT TO ELEC RM 111. CONDUITS SHALL RISE FROM THE BASEMENT MAIN ELECTRICAL ROOM IN RECEIVING 140. CONDUITS ATTACHED TO THE UNDERSIDE OF CANOPY MAY BE PVC SCHED 40 WHERE SUCH CONDUITS ARE ENCLOSED IN A SOFFIT.
 8. PROVIDE A 120V CONNECTION TO SMOKE DAMPERS IN WOMEN 109 AND MEN 110. COORDINATE THE EXACT LOCATIONS WITH MECHANICAL CONTRACTOR. CIRCUIT DAMPERS TO PANEL P-E1 #31. PROVIDE ALL NECESSARY WIRING TO CONNECT DAMPERS TO THE FIRE ALARM SYSTEM SUCH THAT THE DAMPERS WILL CLOSE UPON ANY ALARM CONDITION.

- FURNITURE PARTITION WIRING KEY NOTES:
1. SEE SHEET E3.1 FOR COLUMN WIRING DETAILS TYPES A THROUGH E.
 2. MAKE ALL WIRING CONNECTIONS TO OWNER'S FURNITURE PARTITIONS. SEE SHEET E1.3 DETAILS 1 AND 2 FOR QUANTITY OF LOCAL VOICE/DATA WIRING CONNECTIONS PER WORKSTATION.

EMERGENCY GENERATOR ON 12'-0" X 8'-0" CONC PAD
EXTEND EXHAUST PIPE 1'-0" BEYOND PLATFORM
PROVIDE A 120VAC CKT FOR: BLOCK HEATER P-E3 #17 BATTERY CHARGER P-E3 #19

PANEL P5 120/208V, 3PH, 4W
PANEL M1 120/208V, 3PH, 4W
PANEL P3 2 SEC 120/208V, 3PH, 4W
PANEL P1 2 SEC 120/208V, 3PH, 4W
PANEL DP-3 120/208V, 3PH, 4W
PANEL DP-1 120/208V, 3PH, 4W
PANEL DP-2 120/208V, 3PH, 4W
PANEL P2 120/208V, 3PH, 4W
PANEL P-E3 120/208V, 3PH, 4W
PANEL P-E4 120/208V, 3PH, 4W
LIGHTING CONTROL PANEL LG1