



Administrative Authorization Application

Portland, Maine

Planning and Urban Development Department, Planning Division

PROJECT NAME: AT&T MOBILITY WIRELESS INSTALLATION LTE UPGRADE

PROJECT ADDRESS: 211 Cumberland Avenue (aka 61 Wilmot) CHART/BLOCK/LOT: 26-P-4

APPLICATION FEE: \$50.00 (\$50.00)

PROJECT DESCRIPTION: (Please Attach Sketch/Plan of the Proposal/Development)

Installation of 3 additional antennas, and addition of associated equipment to existing facility

CONTACT INFORMATION:

OWNER/APPLICANT

Name: AT&T Mobility
Address: c/o Nexlink Global Services
800 Marshall Phelps Rd
Work #: Windsor, CT 06095
Cell #: 860-420-8562
Fax #: _____
Home #: _____
E-mail: Mark Roberts <robertsm@nexlinkgs.com>

CONSULTANT/AGENT

Name: Peter Cooke
Address: POB 874
Wolfeboro, NH 03894
Work #: 978-399-8600
Cell #: 978-399-8600
Fax #: 888-
Home #: _____
E-mail: pcooke@wellmanassociates.net

Criteria for an Administrative Authorization:


(see section 14-523(4) on pg .2 of this appl.)

- a) Is the proposal within existing structures?
- b) Are there any new buildings, additions, or demolitions?
- c) Is the footprint increase less than 500 sq. ft.?
- d) Are there any new curb cuts, driveways or parking areas?
- e) Are the curbs and sidewalks in sound condition?
- f) Do the curbs and sidewalks comply with ADA?
- g) Is there any additional parking?
- h) Is there an increase in traffic?
- i) Are there any known stormwater problems?
- j) Does sufficient property screening exist?
- k) Are there adequate utilities?
- l) Are there any zoning violations?
- m) Is an emergency generator located to minimize noise?
- n) Are there any noise, vibration, glare, fumes or other impacts?

Applicant's Assessment Planning Division
Y(yes), N(no), N/A Y(yes), N(no), N/A

Yes	_____
No	_____
Yes	_____
No	_____
N/A	_____
N/A	_____
No	_____
No	_____
No	_____
Yes	_____
Yes	_____
No	_____
N/A	_____
No	_____

RECEIVED

Signature of Applicant: 	Date: <u>2/29/12</u>
Agent for Applicant	

FEB 29 2012

Planning Division Use Only

Authorization Granted

Partial Exemption

Exemption Denied

See attached

Standard Condition of Approval: The applicant shall obtain all required City Permits, including building permits from the Inspection Division (Room 315, City Hall (874-8703)) prior to the start of any construction.

Planner Signature _____

Date _____

IMPORTANT NOTICE TO APPLICANT: The granting of an Administrative Authorization to exempt a development from site plan review does not exempt this proposal from other required approvals or permits, nor is it an authorization for construction. You should first check with the Building Inspections Office, Room 315, City Hall (207)874-8703, to determine what other City permits, such as a building permit, will be required.

**PROVISION OF PORTLAND CITY CODE
14-523 (SITE PLAN ORDINANCE)
RE: Administrative Authorization**

Sec. 14-523 (b). Applicability

No person shall undertake any development identified in Section 14-523 without obtaining a site plan improvement permit under this article. (c) Administrative Authorization. Administrative Authorization means the Planning Authority may grant administrative authorization to exempt a development proposal from complete or partial site plan review that meets the standards below, as demonstrated by the applicant.

1. The proposed development will be located within existing structures, and there will be no new buildings, demolitions, or building additions other than those permitted by subsection b of this section;
2. Any building addition shall have a new building footprint expansion of less than five hundred (500) square feet;
3. The proposed site plan does not add any new curb cuts, driveways, or parking areas; the existing site has no more than one (1) curb cut and will not disrupt the circulation flows and parking on-site; and there will be no drive-through services provided;
4. The curbs and sidewalks adjacent to the lot are complete and in sound condition, as determined by the public works authority, with granite curb with at least four (4) inch reveal, and sidewalks are in good repair with uniform material and level surface and meet accessibility requirements of the Americans with Disabilities Act;
5. The use does not require additional or reduce existing parking, either on or off the site, and the project does not significantly increase traffic generation;
6. There are no known stormwater impacts from the proposed use or any existing deficient conditions of stormwater management on the site;
7. There are no evident deficiencies in existing screening from adjoining properties; and
8. Existing utility connections are adequate to serve the proposed development and there will be no disturbance to or improvements within the public right-of-way.
9. There are no current zoning violations;
10. Any emergency generators are to be located to minimize noise impacts to adjoining properties and documentation that routine testing of the generators occur on weekdays between the hours of 9 a.m. to 5 p.m. Documentation pertaining to the noise impacts of the emergency generator shall be submitted; and
11. There is no anticipated noise, vibration, glare, fumes or other foreseeable impacts associated with the project.

- a. **Filing the Application.** An applicant seeking an administrative authorization under this subsection shall submit an administrative authorization application for review, detailing the site plan with dimensions of proposed improvements and distances from all property lines, and stating that the proposal meets all of the provisions in standards 1-11 of Section 14-423 (b)1. **The application must be accompanied by an application fee of \$50.**
- b. **Review.** Upon receipt of such a complete application, the Planning Authority will process it and render a written decision of approval, approval with conditions or denial, with all associated findings.
- c. **Decision.** If a full administrative authorization is granted, the application shall be approved without further review under this article, and no performance guarantee shall be required. In the event that the Planning Authority determines that standards a and b of Section 14-523 (b) (1) and at least four (4) of the remaining standards have been met, the Planning Authority shall review the site plan according to all applicable review standards of Section 14-526 that are affected by the standards in this subsection that have not been met. If an exemption or partial exemption from site plan review is not granted, the applicant must submit a site plan application that will undergo a full review by the Planning Board or Planning Authority according to the standards of Section 14-526.

Criteria for an Administrative Authorizations:
 (See Section 14-523 (4) on page 2 of this application)

Applicant's Assessment
 Y(yes), N(no), N/A

Planning Division
 Use Only

a) Is the proposal within existing structures?	Yes	Yes, roof top
b) Are there any new buildings, additions, or demolitions?	No	no
c) Is the footprint increase less than 500 sq. ft.?	Yes	yes
d) Are there any new curb cuts, driveways or parking areas?	No	no
e) Are the curbs and sidewalks in sound condition?	n/a	yes
f) Do the curbs and sidewalks comply with ADA?	n/a	yes
g) Is there any additional parking?	No	no
h) Is there an increase in traffic?	No	no
i) Are there any known stormwater problems?	No	no
j) Does sufficient property screening exist?	Yes	yes
k) Are there adequate utilities?	Yes	yes
l) Are there any zoning violations?	No	no
m) Is an emergency generator located to minimize noise?	n/a	n/a
n) Are there any noise, vibration, glare, fumes or other impacts?	No	no

The Administrative Authorization for 211 Cumberland Avenue was approved by Barbara Barhydt, Development Review Services Manager on March 7, 2012 with the following required Standard Condition of Approval listed below:

1. **Standard Condition of Approval:** The applicant shall obtain all required City Permits, including building permits from the Inspection Division (874-8703) and any other permits required from the Department of Public Services (874-8801) prior to the start of any construction.

Barbara Barhydt 3/7/12

PROJECT INFORMATION

SCOPE OF WORK: UNMANNED TELECOMMUNICATIONS FACILITY MODIFICATIONS
 SITE ADDRESS: 211 CUMBERLAND AVENUE
 PORTLAND, ME 04101
 LATITUDE: 43.661380 N 43° 40' 41.90" N
 LONGITUDE: 70.256111 W 70° 15' 22" W
 JURISDICTION: NATIONAL, STATE & LOCAL CODES OR ORDINANCES
 CURRENT USE: TELECOMMUNICATIONS FACILITY
 PROPOSED USE: TELECOMMUNICATIONS FACILITY



SITE NUMBER: ME5040
SITE NAME: MUNJOY HILL

DRAWING INDEX

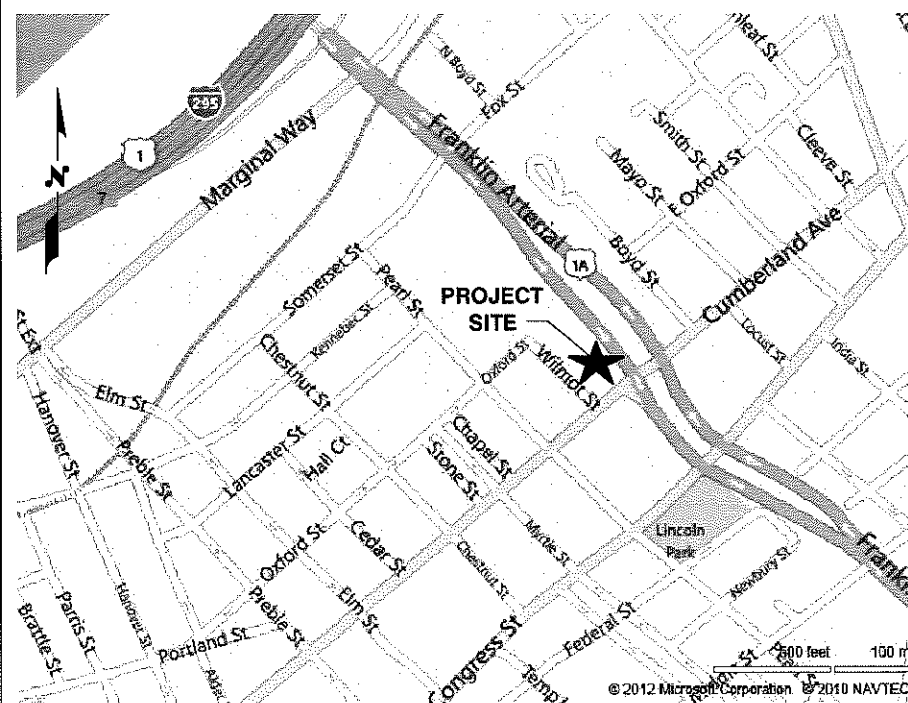
REV

VICINITY MAP

GENERAL NOTES

T-1	TITLE SHEET	1
GN-1	GENERAL NOTES	1
A-1	EQUIPMENT & ROOFTOP PLAN	1
A-2	ELEVATION	1
A-3	ANTENNA LAYOUT	1
A-4	DETAILS	1
G-1	PLUMBING DIAGRAM & GROUNDING DETAILS	1

DIRECTIONS:
 START WEST ON COCHITUATE RD TOWARD BURR ST. 0.3 MI. MAKE A U-TURN AT WHITTIER ST. 0.3 MI. TAKE RAMP RIGHT FOR I-90 E. 6.7 MI. TAKE EXIT 14 FOR I-95 N TOWARD N.H. - MAINE PARTIAL TOLL ROAD PASSING THROUGH NEW HAMPSHIRE ENTERING MAINE. 112.6 MI. MERGE ONTO I-295 N VIA EXIT 44 TOWARD SOUTH PORTLAND/DOWNTOWN PORTLAND (PORTIONS TOLL). 5.7 MI. TAKE THE FRANKLIN ST/US-1A EXIT, EXIT 7. 0.2 MI. TURN RIGHT ONTO US-1A S/FRANKLIN ARTERIAL. 0.4 MI. TURN RIGHT ONTO CUMBERLAND AVE. END AT 211 CUMBERLAND AVE. PORTLAND, ME 04101.



1. THIS DOCUMENT IS THE CREATION, DESIGN, PROPERTY AND COPYRIGHTED WORK OF AT&T. ANY DUPLICATION OR USE WITHOUT EXPRESS WRITTEN CONSENT IS STRICTLY PROHIBITED. DUPLICATION AND USE BY GOVERNMENT AGENCIES FOR THE PURPOSES OF CONDUCTING THEIR LAWFULLY AUTHORIZED REGULATORY AND ADMINISTRATIVE FUNCTIONS IS SPECIFICALLY ALLOWED.
2. THE FACILITY IS AN UNMANNED PRIVATE AND SECURED EQUIPMENT INSTALLATION. IT IS ONLY ACCESSED BY TRAINED TECHNICIANS FOR PERIODIC ROUTINE MAINTENANCE AND THEREFORE DOES NOT REQUIRE ANY WATER OR SANITARY SEWER SERVICE. THE FACILITY IS NOT GOVERNED BY REGULATIONS REQUIRING PUBLIC ACCESS PER ADA REQUIREMENTS.
3. CONTRACTOR SHALL VERIFY ALL PLANS AND EXISTING DIMENSIONS AND CONDITIONS ON THE JOB SITE AND SHALL IMMEDIATELY NOTIFY THE AT&T REPRESENTATIVE IN WRITING OF DISCREPANCIES BEFORE PROCEEDING WITH THE WORK OR BE RESPONSIBLE FOR SAME.

CALL
 BEFORE YOU DIG
 CALL TOLL FREE 888-DIG-SAFE

UNDERGROUND SERVICE ALERT

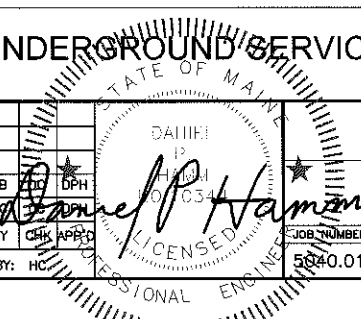
Hudson Design Group LLC
 1600 OSGOOD STREET
 BUILDING 20 NORTH, SUITE 2-101
 N. ANDOVER, MA 01845
 TEL: (978) 557-5553
 FAX: (978) 336-5586

NEXLINK GLOBAL SERVICES
 a UniTek GLOBAL SERVICES company
 800 MARSHALL PHELPS ROAD UNIT#: 2A
 WINDSOR, CT 06095

SITE NUMBER: ME5040
SITE NAME: MUNJOY HILL
 211 CUMBERLAND AVENUE
 PORTLAND, ME 04101
 CUMBERLAND COUNTY

at&t
 550 COCHITUATE ROAD
 FRAMINGHAM, MA 01701

1		02/23/12	ISSUED FOR PERMITTING	SB	DPH	AT&T	
0		02/10/12	ISSUED FOR REVIEW	HP	DPH	TITLE SHEET (LTE)	
NO.	DATE	REVISIONS		BY	CHK APPR	JOB NUMBER	DRAWING NUMBER
						5040.01	T-1
SCALE: AS SHOWN		DESIGNED BY: DC		DRAWN BY: HC			REV
							1



GROUNDING NOTES

1. THE SUBCONTRACTOR SHALL REVIEW AND INSPECT THE EXISTING FACILITY GROUNDING SYSTEM AND LIGHTNING PROTECTION SYSTEM (AS DESIGNED AND INSTALLED) FOR STRICT COMPLIANCE WITH THE NEC (AS ADOPTED BY THE AHJ), THE SITE-SPECIFIC (UL, LPI, OR NFPA) LIGHTNING PROTECTION CODE, AND GENERAL COMPLIANCE WITH TELCORDIA AND TIA GROUNDING STANDARDS. THE SUBCONTRACTOR SHALL REPORT ANY VIOLATIONS OR ADVERSE FINDINGS TO THE CONTRACTOR FOR RESOLUTION.
2. ALL GROUND ELECTRODE SYSTEMS (INCLUDING TELECOMMUNICATION, RADIO, LIGHTNING PROTECTION, AND AC POWER GES'S) SHALL BE BONDED TOGETHER, AT OR BELOW GRADE, BY TWO OR MORE COPPER BONDING CONDUCTORS IN ACCORDANCE WITH THE NEC.
3. THE SUBCONTRACTOR SHALL PERFORM IEEE FALL-OF-POTENTIAL RESISTANCE TO EARTH TESTING (PER IEEE 1100 AND 81) FOR NEW GROUND ELECTRODE SYSTEMS. THE SUBCONTRACTOR SHALL FURNISH AND INSTALL SUPPLEMENTAL GROUND ELECTRODES AS NEEDED TO ACHIEVE A TEST RESULT OF 5 OHMS OR LESS.
4. METAL RACEWAY SHALL NOT BE USED AS THE NEC REQUIRED EQUIPMENT GROUND CONDUCTOR. STRANDED COPPER CONDUCTORS WITH GREEN INSULATION, SIZED IN ACCORDANCE WITH THE NEC, SHALL BE FURNISHED AND INSTALLED WITH THE POWER CIRCUITS TO BTS EQUIPMENT.
5. EACH BTS CABINET FRAME SHALL BE DIRECTLY CONNECTED TO THE MASTER GROUND BAR WITH GREEN INSULATED SUPPLEMENTAL EQUIPMENT GROUND WIRES, 6 AWG STRANDED COPPER OR LARGER FOR INDOOR BTS 2 AWG STRANDED COPPER FOR OUTDOOR BTS.
6. EXOTHERMIC WELDS SHALL BE USED FOR ALL GROUNDING CONNECTIONS BELOW GRADE.
7. APPROVED ANTIOXIDANT COATINGS (I.E., CONDUCTIVE GEL OR PASTE) SHALL BE USED ON ALL COMPRESSION AND BOLTED GROUND CONNECTIONS.
8. ICE BRIDGE BONDING CONDUCTORS SHALL BE EXOTHERMICALLY BONDED OR BOLTED TO THE BRIDGE AND THE TOWER GROUND BAR.
9. ALUMINUM CONDUCTOR OR COPPER CLAD STEEL CONDUCTOR SHALL NOT BE USED FOR GROUNDING CONNECTIONS.
10. MISCELLANEOUS ELECTRICAL AND NON-ELECTRICAL METAL BOXES, FRAMES AND SUPPORTS SHALL BE BONDED TO THE GROUND RING, IN ACCORDANCE WITH THE NEC.
11. METAL CONDUIT SHALL BE MADE ELECTRICALLY CONTINUOUS WITH LISTED BONDING FITTINGS OR BY BONDING ACROSS THE DISCONTINUITY WITH 6 AWS COPPER WIRE UL APPROVED GROUNDING TYPE CONDUIT CLAMPS.
12. ALL NEW STRUCTURES WITH A FOUNDATION AND/OR FOOTING HAVING 20 FT. OR MORE 1/2" OR GREATER ELECTRICALLY CONDUCTIVE REINFORCING STEEL MUST HAVE IT BONDED TO THE GROUND RING USING AN EXOTHERMIC WELD CONNECTION USING #2 AWG SOLID TINNED COPPER GROUND WIRE, PER NEC 250.50

GENERAL NOTES

1. FOR THE PURPOSE OF CONSTRUCTION DRAWING, THE FOLLOWING DEFINITIONS SHALL APPLY:
 CONTRACTOR - NEXLINK
 SUBCONTRACTOR - GENERAL CONTRACTOR (CONSTRUCTION)
 OWNER - AT&T MOBILITY
 2. PRIOR TO THE SUBMISSION OF BIDS, THE BIDDING SUBCONTRACTOR SHALL VISIT THE CELL SITE TO FAMILIARIZE WITH THE EXISTING CONDITIONS AND TO CONFIRM THAT THE WORK CAN BE ACCOMPLISHED AS SHOWN ON THE CONSTRUCTION DRAWINGS. ANY DISCREPANCY FOUND SHALL BE BROUGHT TO THE ATTENTION OF CONTRACTOR.
 3. ALL MATERIALS FURNISHED AND INSTALLED SHALL BE IN STRICT ACCORDANCE WITH ALL APPLICABLE CODES, REGULATIONS, AND ORDINANCES. SUBCONTRACTOR SHALL ISSUE ALL APPROPRIATE NOTICES AND COMPLY WITH ALL LAWS, ORDINANCES, RULES, REGULATIONS, AND LAWFUL ORDERS OF ANY PUBLIC AUTHORITY REGARDING THE PERFORMANCE OF THE WORK. ALL WORK CARRIED OUT SHALL COMPLY WITH ALL APPLICABLE MUNICIPAL AND UTILITY COMPANY SPECIFICATIONS AND LOCAL JURISDICTIONAL CODES, ORDINANCES AND APPLICABLE REGULATIONS.
 4. DRAWINGS PROVIDED HERE ARE NOT TO BE SCALED AND ARE INTENDED TO SHOW OUTLINE ONLY.
 5. UNLESS NOTED OTHERWISE, THE WORK SHALL INCLUDE FURNISHING MATERIALS, EQUIPMENT, APPURTENANCES, AND LABOR NECESSARY TO COMPLETE ALL INSTALLATIONS AS INDICATED ON THE DRAWINGS.
 6. "KITTING LIST" SUPPLIED WITH THE BID PACKAGE IDENTIFIES ITEMS THAT WILL BE SUPPLIED BY CONTRACTOR. ITEMS NOT INCLUDED IN THE BILL OF MATERIALS AND KITTING LIST SHALL BE SUPPLIED BY THE SUBCONTRACTOR.
 7. THE SUBCONTRACTOR SHALL INSTALL ALL EQUIPMENT AND MATERIALS IN ACCORDANCE WITH MANUFACTURER'S RECOMMENDATIONS UNLESS SPECIFICALLY STATED OTHERWISE.
 8. IF THE SPECIFIED EQUIPMENT CANNOT BE INSTALLED AS SHOWN ON THESE DRAWINGS, THE SUBCONTRACTOR SHALL PROPOSE AN ALTERNATIVE INSTALLATION SPACE FOR APPROVAL BY THE CONTRACTOR.
 9. SUBCONTRACTOR SHALL DETERMINE ACTUAL ROUTING OF CONDUIT, POWER AND T1 CABLES, GROUNDING CABLES AS SHOWN ON THE POWER, GROUNDING AND TELCO PLAN DRAWING. SUBCONTRACTOR SHALL UTILIZE EXISTING TRAYS AND/OR SHALL ADD NEW TRAYS AS NECESSARY. SUBCONTRACTOR SHALL CONFIRM THE ACTUAL ROUTING WITH THE CONTRACTOR.
 10. THE SUBCONTRACTOR SHALL PROTECT EXISTING IMPROVEMENTS, PAVEMENTS, CURBS, LANDSCAPING AND STRUCTURES. ANY DAMAGED PART SHALL BE REPAIRED AT SUBCONTRACTOR'S EXPENSE TO THE SATISFACTION OF OWNER.
 11. SUBCONTRACTOR SHALL LEGALLY AND PROPERLY DISPOSE OF ALL SCRAP MATERIALS SUCH AS COAXIAL CABLES AND OTHER ITEMS REMOVED FROM THE EXISTING FACILITY. ANTENNAS REMOVED SHALL BE RETURNED TO THE OWNER'S DESIGNATED LOCATION.
 12. SUBCONTRACTOR SHALL LEAVE PREMISES IN CLEAN CONDITION.
 13. ALL CONCRETE REPAIR WORK SHALL BE DONE IN ACCORDANCE WITH AMERICAN CONCRETE INSTITUTE (ACI) 301.
 14. ANY NEW CONCRETE NEEDED FOR THE CONSTRUCTION SHALL BE AIR-ENTRAINED AND SHALL HAVE 4000 PSI STRENGTH AT 28 DAYS. ALL CONCRETE WORK SHALL BE DONE IN ACCORDANCE WITH ACI 318 CODE REQUIREMENTS.
 15. ALL STRUCTURAL STEEL WORK SHALL BE DETAILED, FABRICATED AND ERECTED IN ACCORDANCE WITH AISC SPECIFICATIONS. ALL STRUCTURAL STEEL SHALL BE ASTM A36 (Fy = 36 ksi) UNLESS OTHERWISE NOTED. PIPES SHALL BE ASTM A53 TYPE E (Fy = 36 ksi). ALL STEEL EXPOSED TO WEATHER SHALL BE HOT DIPPED GALVANIZED. TOUCHUP ALL SCRATCHES AND OTHER MARKS IN THE FIELD AFTER STEEL IS ERECTED USING A COMPATIBLE ZINC RICH PAINT.
 16. CONSTRUCTION SHALL COMPLY WITH UMS SPECIFICATIONS AND "GENERAL CONSTRUCTION SERVICES FOR CONSTRUCTION OF AT&T MOBILITY SITES."
 17. SUBCONTRACTOR SHALL VERIFY ALL EXISTING DIMENSIONS AND CONDITIONS PRIOR TO COMMENCING ANY WORK. ALL DIMENSIONS OF EXISTING CONSTRUCTION SHOWN ON THE DRAWINGS MUST BE VERIFIED. SUBCONTRACTOR SHALL NOTIFY THE CONTRACTOR OF ANY DISCREPANCIES PRIOR TO ORDERING MATERIAL OR PROCEEDING WITH CONSTRUCTION.
 18. THE EXISTING CELL SITE IS IN FULL COMMERCIAL OPERATION. ANY CONSTRUCTION WORK BY SUBCONTRACTOR SHALL NOT DISRUPT THE EXISTING NORMAL OPERATION. ANY WORK ON EXISTING EQUIPMENT MUST BE COORDINATED WITH CONTRACTOR. ALSO, WORK SHOULD BE SCHEDULED FOR AN APPROPRIATE MAINTENANCE WINDOW USUALLY IN LOW TRAFFIC PERIODS AFTER MIDNIGHT.
 19. SINCE THE CELL SITE IS ACTIVE, ALL SAFETY PRECAUTIONS MUST BE TAKEN WHEN WORKING AROUND HIGH LEVELS OF ELECTROMAGNETIC RADIATION. EQUIPMENT SHOULD BE SHUTDOWN PRIOR TO PERFORMING ANY WORK THAT COULD EXPOSE THE WORKERS TO DANGER. PERSONAL RF EXPOSURE MONITORS ARE ADVISED TO BE WORN TO ALERT OF ANY DANGEROUS EXPOSURE LEVELS.
 20. APPLICABLE BUILDING CODES:
 SUBCONTRACTOR'S WORK SHALL COMPLY WITH ALL APPLICABLE NATIONAL, STATE, AND LOCAL CODES AS ADOPTED BY THE LOCAL AUTHORITY HAVING JURISDICTION (AHJ) FOR THE LOCATION. THE EDITION OF THE AHJ ADOPTED CODES AND STANDARDS IN EFFECT ON THE DATE OF CONTRACT AWARD SHALL GOVERN THE DESIGN.
 BUILDING CODE: IBC 2009
 ELECTRICAL CODE: REFER TO ELECTRICAL DRAWINGS
 LIGHTNING CODE: REFER TO ELECTRICAL DRAWINGS
- SUBCONTRACTOR'S WORK SHALL COMPLY WITH THE LATEST EDITION OF THE FOLLOWING STANDARDS:
- AMERICAN CONCRETE INSTITUTE (ACI) 318; BUILDING CODE REQUIREMENTS FOR STRUCTURAL CONCRETE;
 - AMERICAN INSTITUTE OF STEEL CONSTRUCTION (AISC) MANUAL OF STEEL CONSTRUCTION, ASD, NINTH EDITION;
 - TELECOMMUNICATIONS INDUSTRY ASSOCIATION (TIA) 222-G, STRUCTURAL STANDARDS FOR STEEL
 - ANTENNA TOWER AND ANTENNA SUPPORTING STRUCTURES; REFER TO ELECTRICAL DRAWINGS FOR SPECIFIC ELECTRICAL STANDARDS.
- FOR ANY CONFLICTS BETWEEN SECTIONS OF LISTED CODES AND STANDARDS REGARDING MATERIAL, METHODS OF CONSTRUCTION, OR OTHER REQUIREMENTS, THE MOST RESTRICTIVE REQUIREMENT SHALL GOVERN. WHERE THERE IS CONFLICT BETWEEN A GENERAL REQUIREMENT AND A SPECIFIC REQUIREMENT, THE SPECIFIC REQUIREMENT SHALL GOVERN.

ABBREVIATIONS

ACL	ABOVE GRADE LEVEL	G.C.	GENERAL CONTRACTOR	RF	RADIO FREQUENCY
AWG	AMERICAN WIRE GAUGE	MGB	MASTER GROUND BUS		
BCW	BARE COPPER WIRE	MIN	MINIMUM	TBD	TO BE DETERMINED
BTS	BASE TRANSCEIVER STATION	PROPOSED	NEW	TBR	TO BE REMOVED
EXISTING	EXISTING	REF	REFERENCE	TBRR	TO BE REMOVED AND REPLACED
EG	EQUIPMENT GROUND	REQ	REQUIRED	TYP	TYPICAL
EGR	EQUIPMENT GROUND RING				

1400 OSQUODD STREET
 BUILDING 20 NORTH, SUITE 2-101
 N. ANDOVER, MA 01845
 TEL: (978) 557-5553
 FAX: (978) 336-5586

a UniTek GLOBAL SERVICES company
 800 MARSHALL PHELPS ROAD UNIT#: 2A
 WINDSOR, CT 06095

SITE NUMBER: ME5040
SITE NAME: MUNJOY HILL
 211 CUMBERLAND AVENUE
 PORTLAND, ME 04101
 CUMBERLAND COUNTY

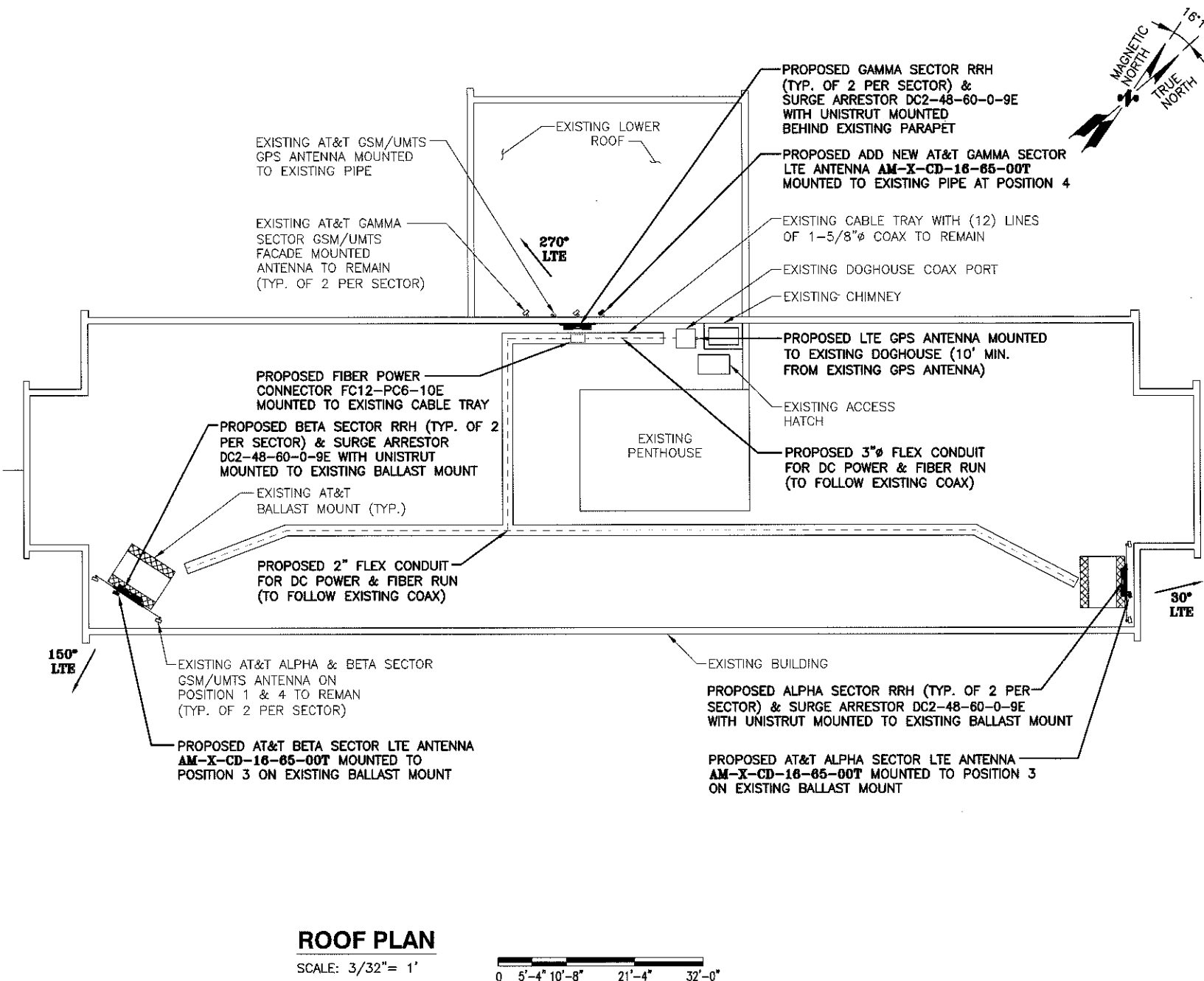
550 COCHITUATE ROAD
 FRAMINGHAM, MA 01701

NO.		DATE	REVISIONS	BY	CHK	APPD	SCALE: AS SHOWN	DESIGNED BY: DC	DRAWN BY: H	JOB NUMBER: 5040.01	DRAWING NUMBER: GN-1	REV: 1
1	02/23/12		ISSUED FOR PERMITTING	SB								
0	02/10/12		ISSUED FOR REVIEW	H								

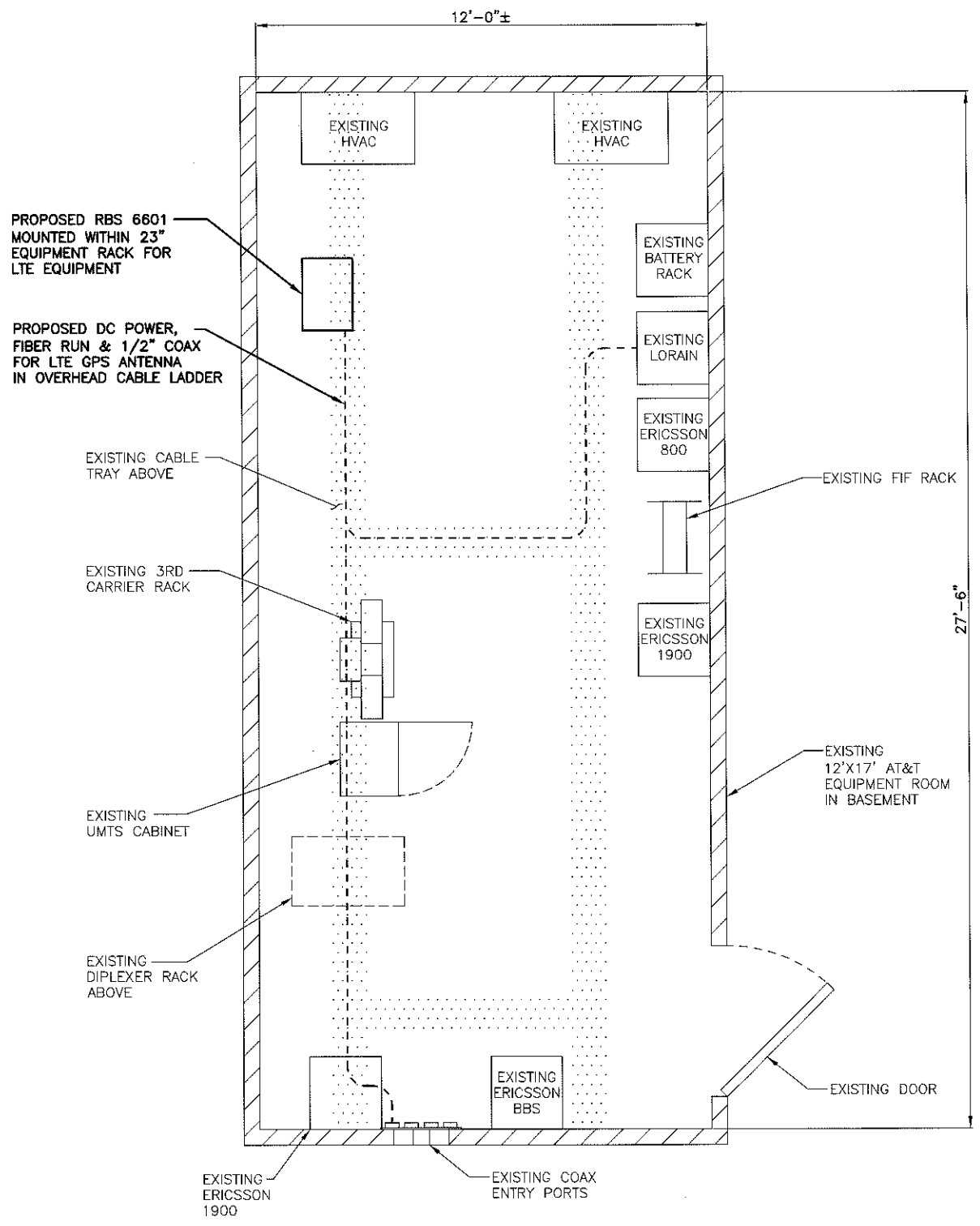
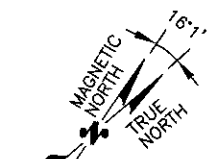
DANIEL HAMAN
 REGISTERED PROFESSIONAL ENGINEER
 STATE OF MAINE

NOTE:
REFER TO THE FINAL RF DATA SHEET FOR FINAL ANTENNA SETTINGS.

NOTE:
AN ANALYSIS FOR THE CAPACITY OF THE EXISTING STRUCTURES TO SUPPORT THE PROPOSED EQUIPMENT SHALL BE DETERMINED PRIOR TO CONSTRUCTION.



ROOF PLAN
SCALE: 3/32" = 1'
0 5'-4" 10'-8" 21'-4" 32'-0"



EQUIPMENT PLAN
SCALE: 1/2" = 1'-0"
0 1'-0" 2'-0" 4'-0" 6'-0"

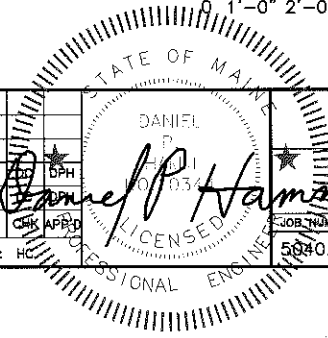
Hudson Design Group LLC
1600 OSGOOD STREET
BUILDING 20 NORTH, SUITE 2-101
N. ANDOVER, MA 01845
TEL: (978) 557-5553
FAX: (978) 336-5586

NEXLINK GLOBAL SERVICES
a UniTek GLOBAL SERVICES company
800 MARSHALL PHELPS ROAD UNIT#: 2A
WINDSOR, CT 06095

SITE NUMBER: ME5040
SITE NAME: MUNJOY HILL
211 CUMBERLAND AVENUE
PORTLAND, ME 04101
CUMBERLAND COUNTY

at&t
550 COCHITUATE ROAD
FRAMINGHAM, MA 01701

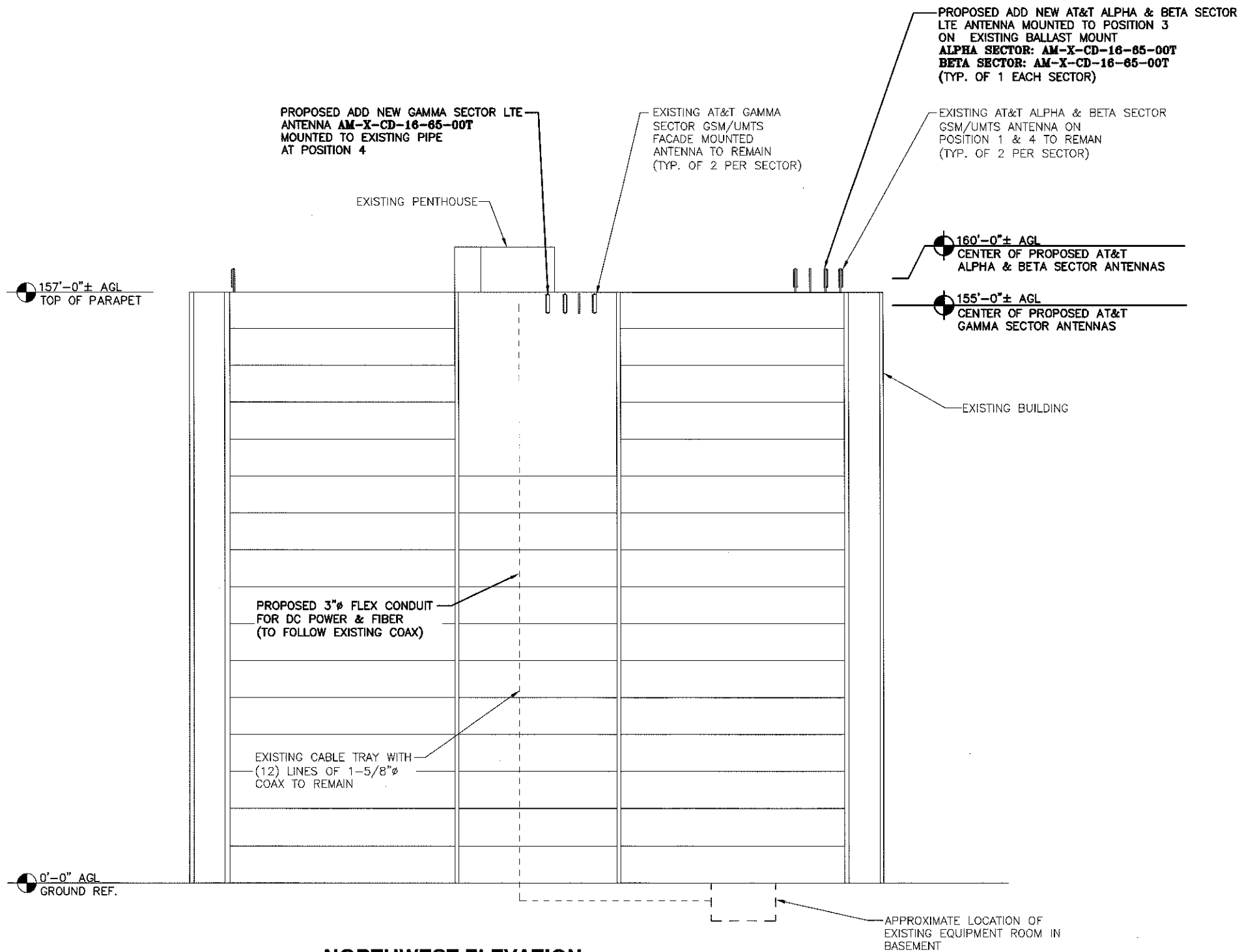
NO.		DATE	REVISIONS	BY	DATE	JOB NUMBER		DRAWING NUMBER		REV
1	02/23/12		ISSUED FOR PERMITTING	SB	DPH	5040.01		A-1		1
0	02/10/12		ISSUED FOR REVIEW	HC						
SCALE:		DESIGNED BY:		DRAWN BY:						
AS SHOWN		DC		H						



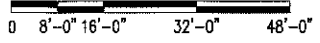
AT&T
EQUIPMENT & ROOFTOP PLAN (LTE)

NOTE:
REFER TO THE FINAL RF DATA SHEET FOR FINAL ANTENNA SETTINGS.

NOTE:
AN ANALYSIS FOR THE CAPACITY OF THE EXISTING STRUCTURES TO SUPPORT THE PROPOSED EQUIPMENT SHALL BE DETERMINED PRIOR TO CONSTRUCTION.



NORTHWEST ELEVATION
SCALE: 1/16"=1'-0"



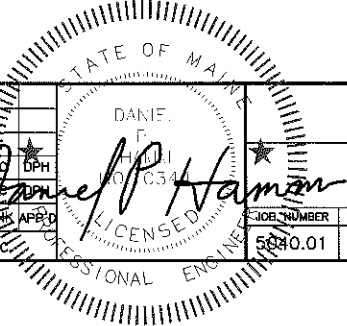
Hudson
Design Group, Inc.
1600 OSGOOD STREET
BUILDING 20 NORTH, SUITE 2-101
N. ANDOVER, MA 01845
TEL: (978) 557-5553
FAX: (978) 336-5586

NEXLINK
GLOBAL SERVICES
a UniTek GLOBAL SERVICES company
800 MARSHALL PHELPS ROAD UNIT#: 2A
WINDSOR, CT 06095

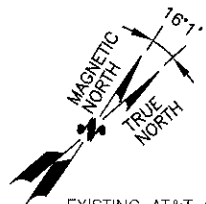
SITE NUMBER: ME5040
SITE NAME: MUNJOY HILL
211 CUMBERLAND AVENUE
PORTLAND, ME 04101
CUMBERLAND COUNTY

at&t
550 COCHITUATE ROAD
FRAMINGHAM, MA 01701

NO.	DATE	REVISIONS	BY	CHK	APP'D
1	02/23/12	ISSUED FOR PERMITTING	SB	DPH	
0	02/10/12	ISSUED FOR REVIEW	HP		
SCALE: AS SHOWN		DESIGNED BY: DC	DRAWN BY: H		

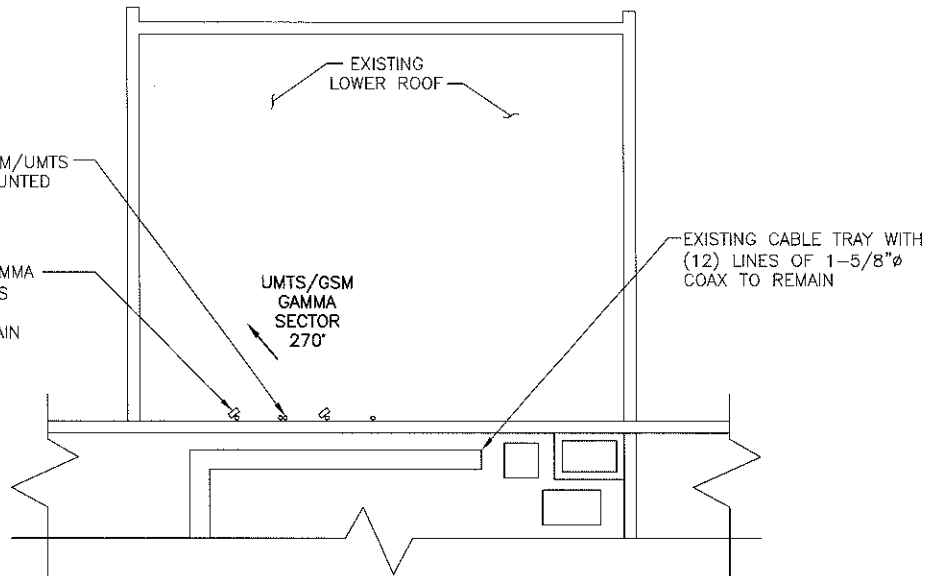


AT&T	
ELEVATION (LTE)	
JOB NUMBER 5040.01	DRAWING NUMBER A-2
REV	1



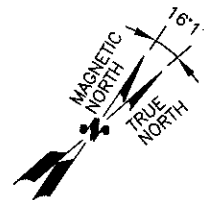
EXISTING AT&T GSM/UMTS GPS ANTENNA MOUNTED TO EXISTING PIPE

EXISTING AT&T GAMMA SECTOR GSM/UMTS FACADE MOUNTED ANTENNA TO REMAIN (TYP. OF 2)

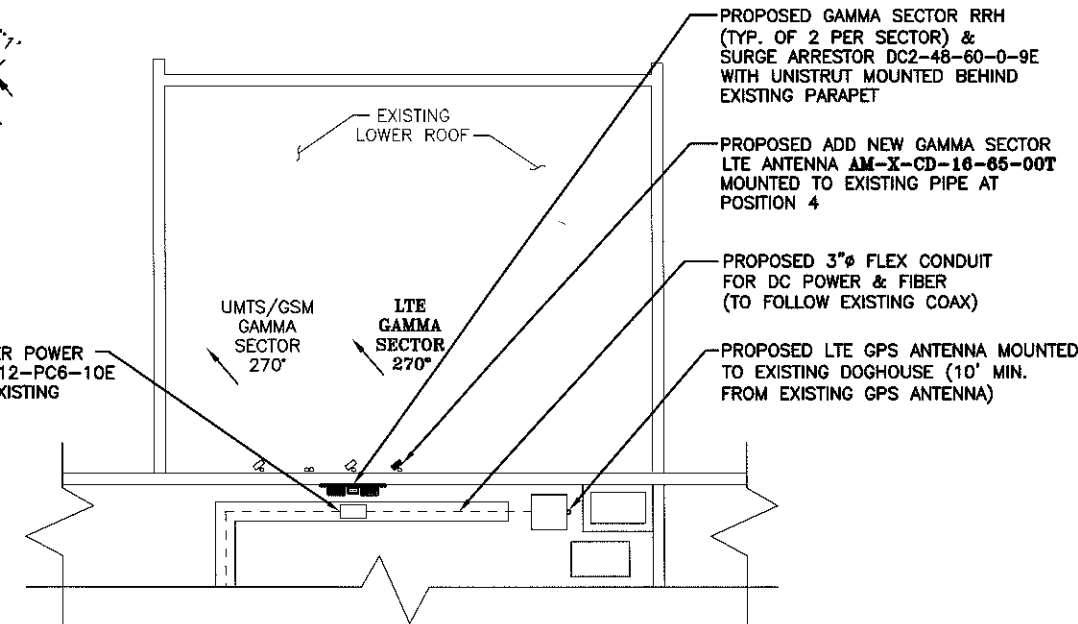


NOTE:
REFER TO THE FINAL RF DATA SHEET FOR FINAL ANTENNA SETTINGS.

NOTE:
AN ANALYSIS FOR THE CAPACITY OF THE EXISTING STRUCTURES TO SUPPORT THE PROPOSED EQUIPMENT SHALL BE DETERMINED PRIOR TO CONSTRUCTION.



PROPOSED FIBER POWER CONNECTOR FC12-PC6-10E MOUNTED TO EXISTING CABLE TRAY

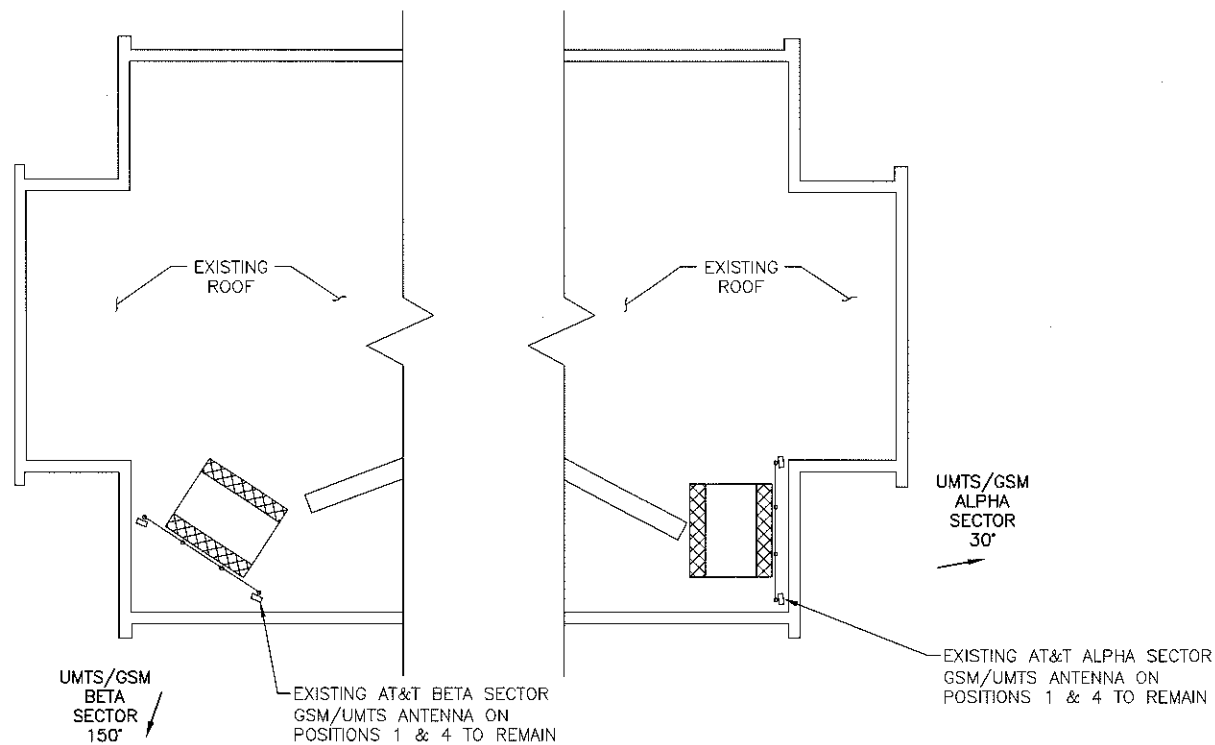


PROPOSED GAMMA SECTOR RRH (TYP. OF 2 PER SECTOR) & SURGE ARRESTOR DC2-48-60-0-9E WITH UNISTRUT MOUNTED BEHIND EXISTING PARAPET

PROPOSED ADD NEW GAMMA SECTOR LTE ANTENNA AM-X-CD-16-65-00T MOUNTED TO EXISTING PIPE AT POSITION 4

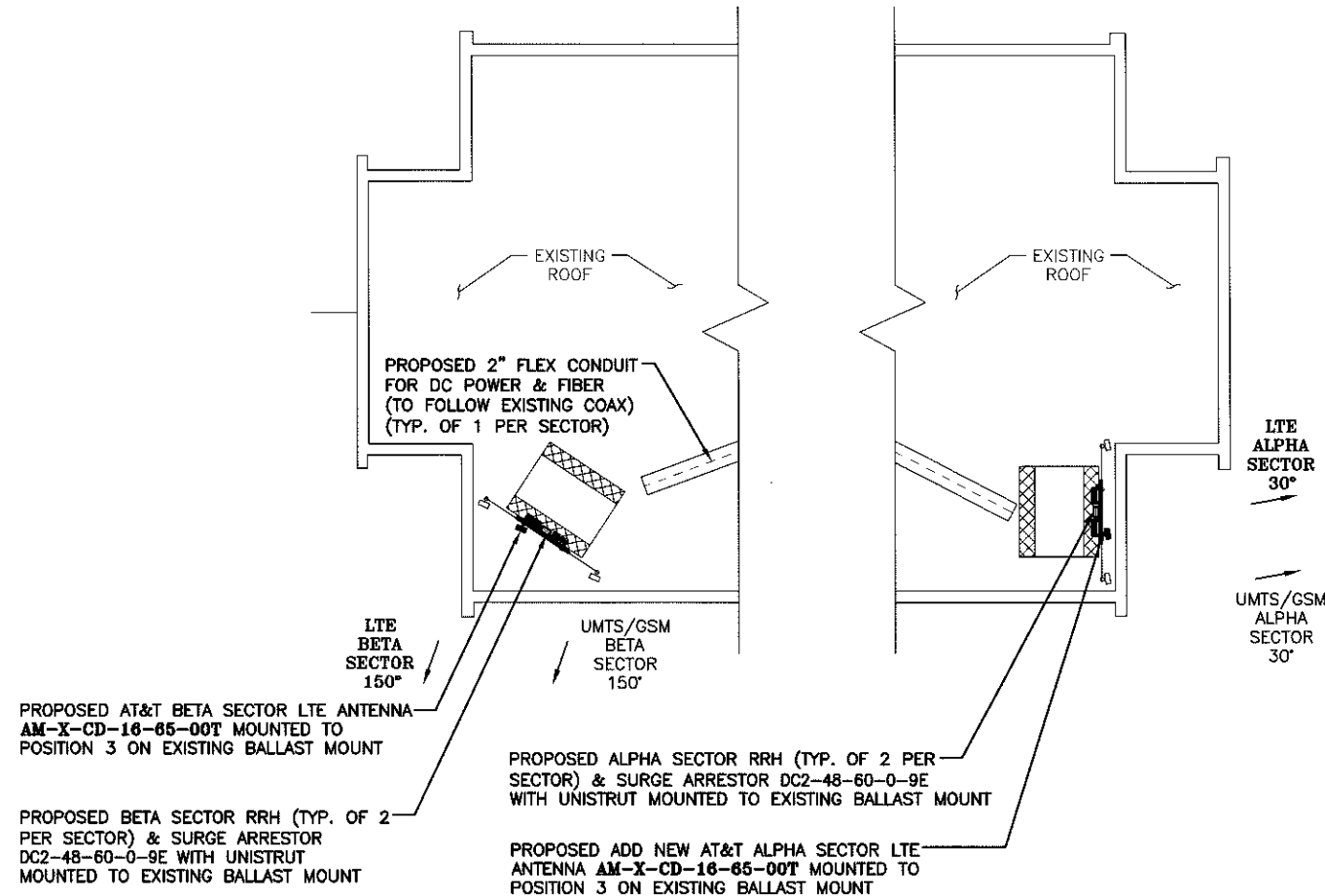
PROPOSED 3" FLEX CONDUIT FOR DC POWER & FIBER (TO FOLLOW EXISTING COAX)

PROPOSED LTE GPS ANTENNA MOUNTED TO EXISTING DOGHOUSE (10' MIN. FROM EXISTING GPS ANTENNA)



EXISTING GSM/UMTS ANTENNA LAYOUT

SCALE: N.T.S.



PROPOSED LTE ANTENNA LAYOUT

SCALE: N.T.S.

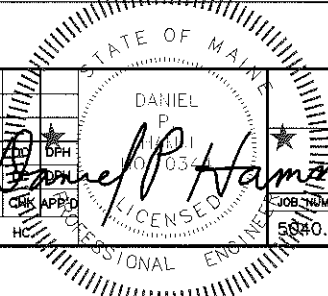
Hudson Design Group
1600 OSGOOD STREET
BUILDING 20 NORTH, SUITE 2-101
N. ANDOVER, MA 01845
TEL: (978) 557-5553
FAX: (978) 336-5586

NEXLINK GLOBAL SERVICES
a UniTek GLOBAL SERVICES company
800 MARSHALL PHELPS ROAD UNIT#: 2A
WINDSOR, CT 06095

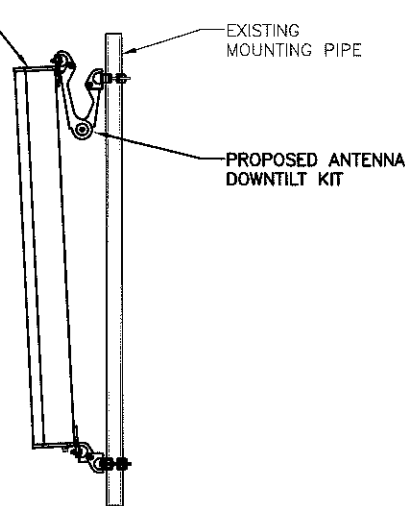
SITE NUMBER: ME5040
SITE NAME: MUNJOY HILL
211 CUMBERLAND AVENUE
PORTLAND, ME 04101
CUMBERLAND COUNTY

at&t
550 COCHITUATE ROAD
FRAMINGHAM, MA 01701

1		02/23/12	ISSUED FOR PERMITTING	SB	DPH	AT&T	
0		02/10/12	ISSUED FOR REVIEW	HT	DPH	ANTENNA LAYOUT (LTE)	
NO.	DATE	REVISIONS		BY	CHK APP'D	JOB NUMBER	DRAWING NUMBER
						5040.01	A-3
SCALE: AS SHOWN		DESIGNED BY: DC		DRAWN BY: HC			REV
							1

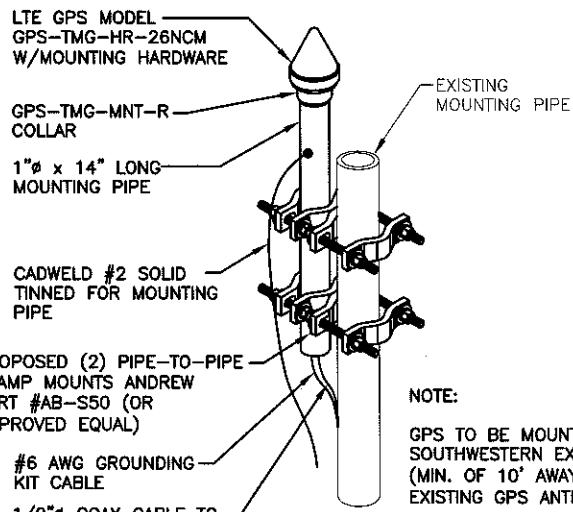


PROPOSED LTE ANTENNA
 ALPHA SECTOR:
 H54"xW12.6"xD7.87"
 BETA SECTOR:
 H54"xW12.6"xD7.87"
 GAMMA SECTOR:
 H54"xW12.6"xD7.87"



PROPOSED LTE ANTENNA DETAIL

SCALE: N.T.S.



LTE GPS MODEL
 GPS-TMG-HR-26NCM
 W/MOUNTING HARDWARE

GPS-TMG-MNT-R
 COLLAR

1"Ø x 14" LONG
 MOUNTING PIPE

CADWELD #2 SOLID
 TINNED FOR MOUNTING
 PIPE

PROPOSED (2) PIPE-TO-PIPE
 CLAMP MOUNTS ANDREW
 PART #AB-S50 (OR
 APPROVED EQUAL)

#6 AWG GROUNDING
 KIT CABLE

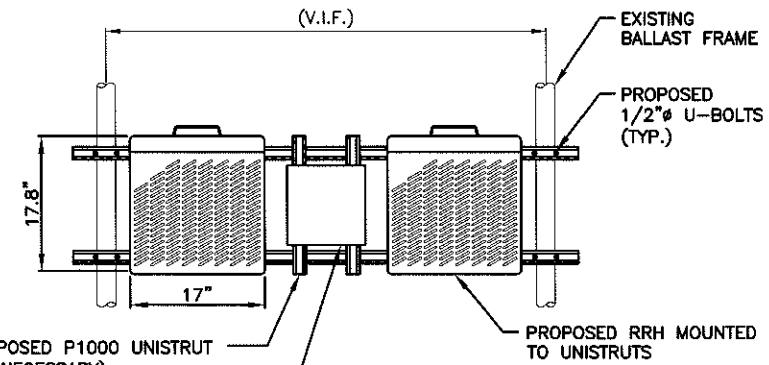
1/2"Ø COAX CABLE TO
 MAIN UNIT (MINIMUM
 BENDING RADIUS PER
 MANUFACTURER'S
 STANDARD)

GPS MOUNTING DETAIL

SCALE: N.T.S.

NOTE:
 REFER TO THE FINAL RF DATA
 SHEET FOR FINAL ANTENNA
 SETTINGS.

NOTE:
 AN ANALYSIS FOR THE CAPACITY
 OF THE EXISTING STRUCTURES
 TO SUPPORT THE PROPOSED
 EQUIPMENT SHALL BE DETERMINED
 PRIOR TO CONSTRUCTION.

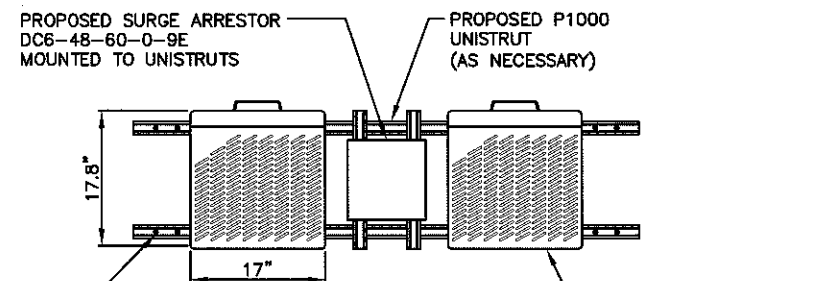


PROPOSED P1000 UNISTRUT
 (AS NECESSARY)

PROPOSED SURGE ARRESTOR
 DC6-48-60-0-9E
 MOUNTED TO UNISTRUTS

PROPOSED (ALPHA & BETA SECTORS) RRH & SURGE ARRESTOR MOUNTING DETAIL

SCALE: N.T.S.



PROPOSED SURGE ARRESTOR
 DC6-48-60-0-9E
 MOUNTED TO UNISTRUTS

PROPOSED P1000
 UNISTRUT
 (AS NECESSARY)

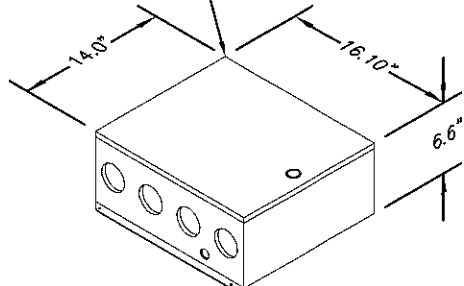
PROPOSED 1/2"Ø HAS RODS
 W/ HILTI HIT HY150 EPOXY
 ANCHORING SYSTEM (USE
 3-3/8" EMBEDMENT) (TYP.)

PROPOSED RRH MOUNTED TO UNISTRUTS
 (TYP. OF 2 PER SECTOR,
 TOTAL OF 6)

PROPOSED LTE (GAMMA SECTOR) RRH & SURGE ARRESTOR MOUNT DETAIL

SCALE: N.T.S.

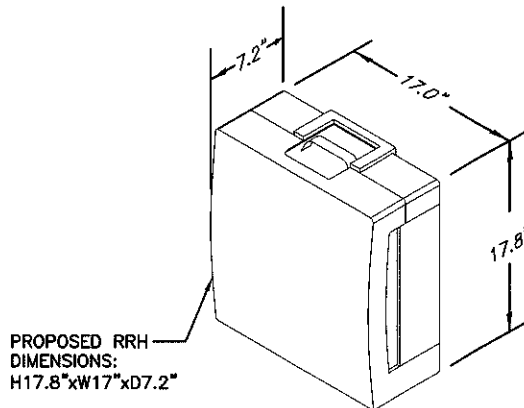
PROPOSED FIBER &
 POWER CONNECTOR
 MODEL NUMBER:
 FC12-PC-10E
 DIMENSIONS:
 H16.10"xW14.0"xD6.6"



NOTE:
 MOUNT PER MANUFACTURER'S SPECIFICATIONS.

FIBER & POWER CONNECTOR DETAIL

SCALE: N.T.S.



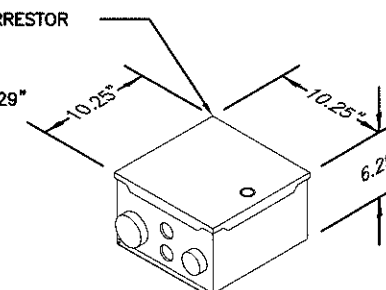
PROPOSED RRH
 DIMENSIONS:
 H17.8"xW17"xD7.2"

NOTE:
 MOUNT PER MANUFACTURER'S SPECIFICATIONS.

RRH DETAIL

SCALE: N.T.S.

PROPOSED SURGE ARRESTOR
 MODEL NUMBER:
 DC2-48-60-0-9E
 DIMENSIONS:
 H10.25"xW10.25"xD6.29"



NOTE:
 MOUNT PER MANUFACTURER'S SPECIFICATIONS.

DC SURGE SUPPRESSOR DETAIL

SCALE: N.T.S.



1600 OSGOOD STREET
 BUILDING 20 NORTH, SUITE 2-101
 N. ANDOVER, MA 01845
 TEL: [978] 557-5553
 FAX: [978] 336-5586



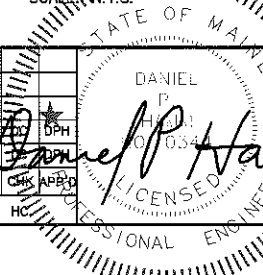
a UniTek GLOBAL SERVICES company
 800 MARSHALL PHELPS ROAD UNIT#: 2A
 WINDSOR, CT 06095

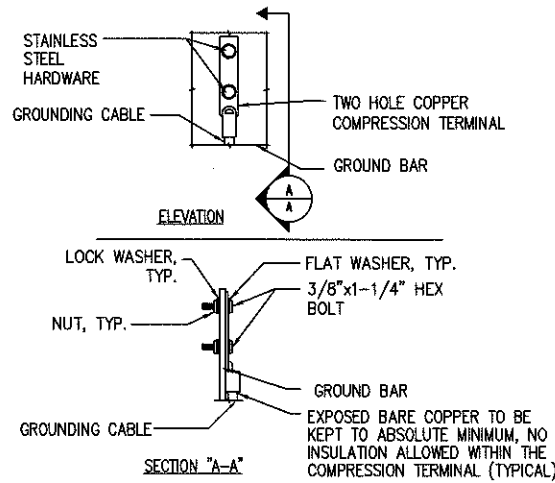
SITE NUMBER: ME5040
 SITE NAME: MUNJOY HILL
 211 CUMBERLAND AVENUE
 PORTLAND, ME 04101
 CUMBERLAND COUNTY



550 COCHITUATE ROAD
 FRAMINGHAM, MA 01701

1 02/23/12 ISSUED FOR PERMITTING		SB	DPH	AT&T	
0 02/10/12 ISSUED FOR REVIEW		HW	DPH	DETAILS (LTE)	
NO.	DATE	REVISIONS	BY	CHECK APPROVED	JOB NUMBER
					5040.01
SCALE: AS SHOWN			DESIGNED BY: DC	DRAWN BY: HC	DRAWING NUMBER
					A-4
					REV
					1

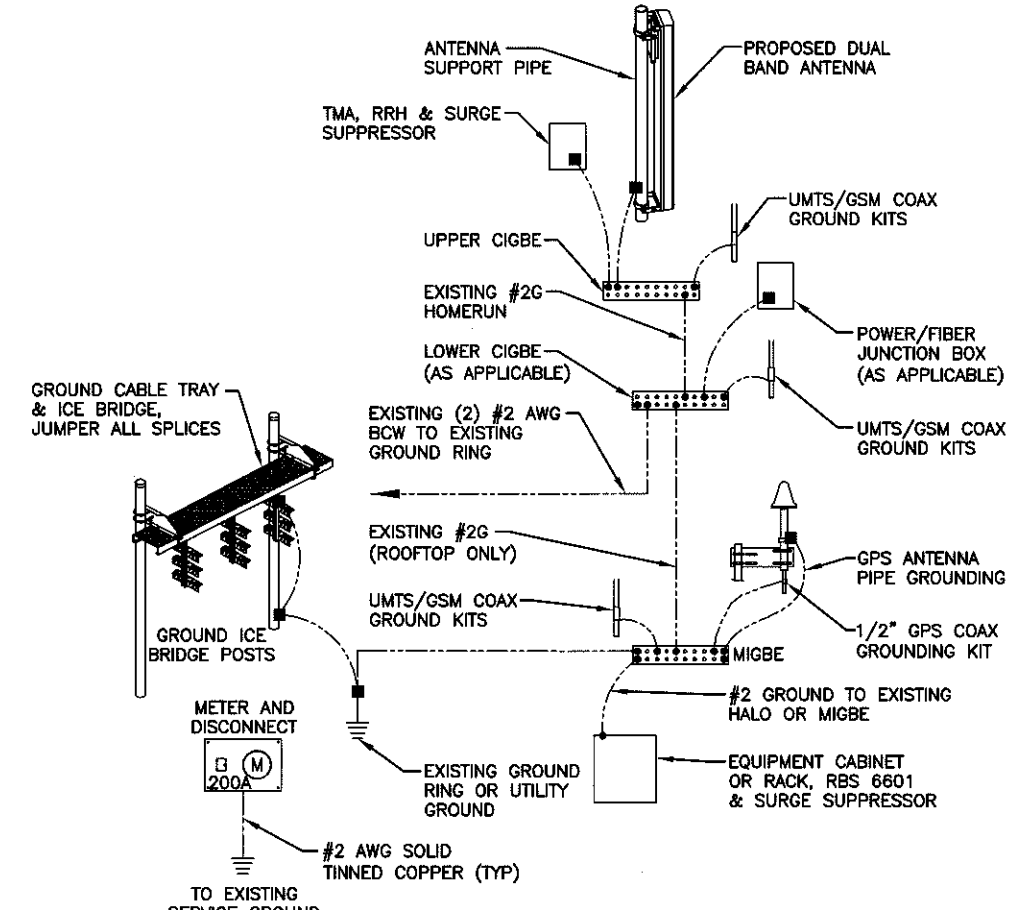




NOTE:
 1. "DOUBLING UP" OR "STACKING" OF CONNECTION IS NOT PERMITTED.
 2. OXIDE INHIBITING COMPOUND TO BE USED AT ALL LOCATIONS.
 3. CADWELD DOWNLEADS FROM UPPER EGB, LOWER EGB, AND MGB.

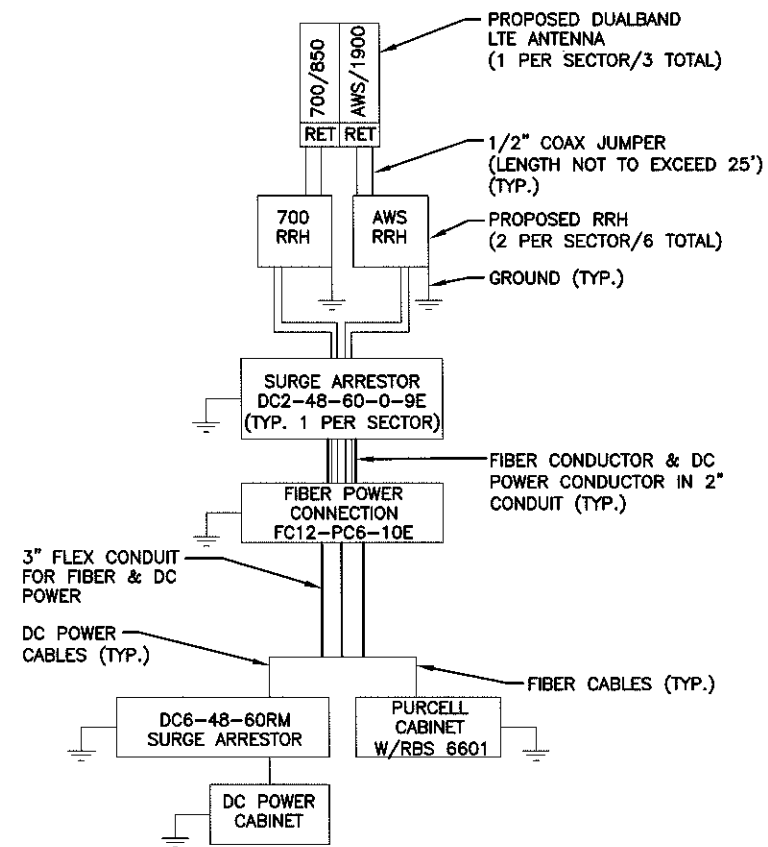
TYPICAL GROUND BAR CONNECTION DETAIL

2
N.T.S.



GROUNDING RISER DIAGRAM

1
N.T.S.

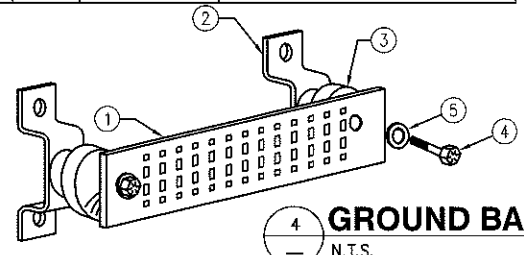


NOTES:
 1. CONTRACTOR TO CONFIRM ALL PARTS.
 2. INSTALL ALL EQUIPMENT TO MANUFACTURER'S RECOMMENDATIONS.

PLUMBING DIAGRAM

3
N.T.S.

WIRELESS SOLUTIONS INC.			
NO.	REQ.	PART NO.	DESCRIPTION
1	1	HLGB-0420-IS	SOLID GND. BAR (20"x4"x1/4")
2	2		WALL MTG. BRKT.
3	2		INSULATORS
4	4		5/8"-11x1" H.H.C.S.
5	4		5/8 LOCKWASHER



GROUND BAR - DETAIL

4
N.T.S.

EACH GROUND CONDUCTOR TERMINATING ON ANY GROUND BAR SHALL HAVE AN IDENTIFICATION TAG ATTACHED AT EACH END THAT WILL IDENTIFY ITS ORIGIN AND DESTINATION.

SECTION "P" - SURGE PRODUCERS

- CABLE ENTRY PORTS (HATCH PLATES) (#2)
- GENERATOR FRAMEWORK (IF AVAILABLE) (#2)
- TELCO GROUND BAR
- COMMERCIAL POWER COMMON NEUTRAL/GROUND BOND (#2)
- +24V POWER SUPPLY RETURN BAR (#2)
- 48V POWER SUPPLY RETURN BAR (#2)
- RECTIFIER FRAMES.

SECTION "A" - SURGE ABSORBERS

- INTERIOR GROUND RING (#2)
- EXTERNAL EARTH GROUND FIELD (BURIED GROUND RING) (#2)
- METALLIC COLD WATER PIPE (IF AVAILABLE) (#2)
- BUILDING STEEL (IF AVAILABLE) (#2)

Hudson Design Group
 1400 OSGOOD STREET
 BUILDING 20 NORTH, SUITE 2-101
 N. ANDOVER, MA 01845
 TEL: (978) 557-5553
 FAX: (978) 336-5586

NEXLINK GLOBAL SERVICES
 a UniTek GLOBAL SERVICES company
 800 MARSHALL PHELPS ROAD UNIT#: 2A
 WINDSOR, CT 06095

SITE NUMBER: ME5040
SITE NAME: MUNJOY HILL
 211 CUMBERLAND AVENUE
 PORTLAND, ME 04101
 CUMBERLAND COUNTY

at&t
 550 COCHITUATE ROAD
 FRAMINGHAM, MA 01701

1 02/23/12 ISSUED FOR PERMITTING		SB	DPH	AT&T PLUMBING DIAGRAM & GROUNDING DETAILS (LTE)
0 02/10/12 ISSUED FOR REVIEW		HC	DPH	
NO.	DATE	REVISIONS		BY
SCALE: AS SHOWN		DESIGNED BY: DC	DRAWN BY: H	APPROVED: Daniel P. Hamer
JOB NUMBER: 5040.01			DRAWING NUMBER: G-1	REV: 1