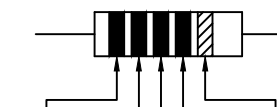


END OF LINE RESISTOR CODES



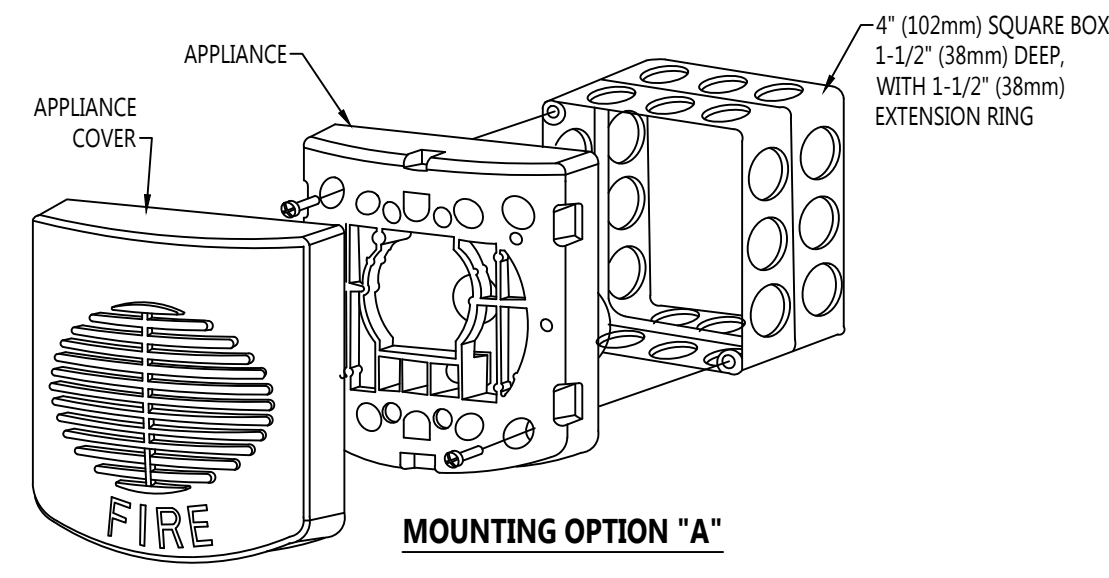
NOTE: REFER TO PANEL/MODULE AND DEVICE INSTALLATION INSTRUCTIONS FOR PROPER TERMINATIONS.

MODEL NUMBER	REFERENCE NUMBER	OHMS	BAND NUMBER					WATTS	CIRCUIT TYPE	FIRE ALARM PANEL/MODULE
			1	2	3	4	5			
4081-9001	733-892	2.2K	RED	RED	RED	GLD	N/A	1/2	ANNUNCIATOR (4300)	4004, 4010 (TROUBLE)
4081-9002	733-893	3.3K	ORG	ORG	RED	GLD	N/A	1	N.O. INITIATING PULL, SMOKE, HEAT, WATERFLOW, TAMPER, ETC.	4004*, 4004R, 4005*, 4006, 4100, 4120, 4100U, ZAMs
4081-9003	733-896	4.7K	YEL	VLT	RED	GLD	N/A	1/2	24 PT. I/O SWITCH SUPV	4605-7401, 4100 SERIES
4081-9004	733-886	6.8K	BLU	GRY	RED	GLD	N/A	1/2	CURRENT LIMITED N.O. INIT. NOTIFICATION (DACT)	4090-9001 IDNET IAM (EOLR)
4081-9005	733-984	1.8K	BRN	GRY	RED	GLD	N/A	1/2	N.O. INITIATING PULL, SMOKE, HEAT, WATERFLOW, TAMPER, ETC.	4004*, 4005, 4090-9001 IDNET IAM 2150-9173 MARNETII 2 PT I/O 4-20MA ZAM (TROUBLE)
4081-9006	733-890	560 Ω	GRN	BLU	BRN	GLD	N/A	1	CURRENT LIMITED N.O. INITIATING (IN LINE)	4090-9001 IDNET IAM
4081-9007	733-891	1.2K	BRN	RED	RED	GLD	N/A	1	N.C. INITIATING (EOLR)	4005*, 4090-9001 IDNET IAM 4100, 4100U
4081-9008	733-894	10K	BRN	BLK	ORG	GLD	N/A	1/2	NOTIFICATION	4004, 4005, 4008, 4008, 4009, 4010, 4100, 4100U
4081-9009	733-912	20 Ω	RED	BLK	BLK	GLD	N/A	1	TO MR-101 RELAY COIL	4005 8 POINT I/O
4081-9010	733-973	1K	BRN	BLK	RED	GLD	N/A	1	N.C. INIT. (ACROSS CONTACTS)	4005*, 4090-9001 IDNET IAM
4081-9011	733-974	100 Ω	BRN	BLK	BRN	GLD	N/A	1/2	24 PT. I/O (ACROSS CONTACTS)	4605-7401, 4100 SERIES
4081-9012	733-985	2.2K	RED	RED	ORG	GLD	N/A	1/2	CURRENT LIMITED N.O. INIT. (IN SERIES WITH CONTACT)	4090-9001 IDNET IAM
4081-9013	734-086	4.99K	YEL	WHT	WHT	BRN	BRN	1/2	ANNUNCIATOR (N2)	4006, 4008, 4010
4081-9014	734-092	2.4K	RED	YEL	RED	GLD	N/A	1/2	SPEAKER CIRCUIT	4003
4081-9015	734-093	1.5K	BRN	GRN	RED	GLD	N/A	1/2	N.C. INITIATING (SECURITY MONITORING EOLR)	4090-9001 IDNET IAM
4081-9016	734-149	150K	BRN	GRN	YEL	GLD	N/A	1/2	CURRENT LIMITED N.O. INIT. (SECURITY MONITORING EOLR)	4090-9001 IDNET IAM
4081-9017	734-171	3.9K	ORG	WHT	RED	GLD	N/A	1		
4081-9018	734-168	10K	BRN	BLK	ORG	GLD	N/A	1	70VRMS CONSTANT SUPV. NACS	4100-1260
	378-090	8.2K	GRAY	RED	RED	GLD	N/A	1/2	SECURITY MONITORING (EOLR)	4100, 4100U
	378-046	5.6K	GRN	BLU	RED	GLD	N/A	1/2	N.O. SECURITY MON. (SERIES)	4100, 4100U
	378-069	1.2K	BRN	RED	ORG	GLD	N/A	1/2	N.C. SECURITY MON. (SHUNT)	4100, 4100U

* USE WITH RETROFIT OR HIGH CURRENT MODULE

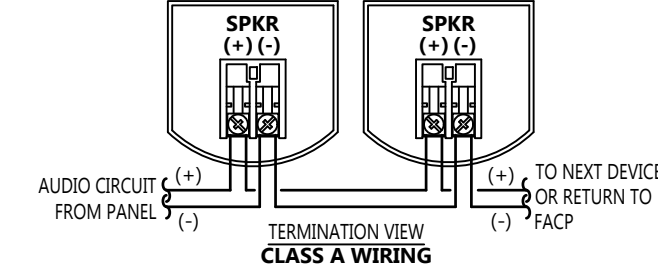
TrueAlert CONVENTIONAL APPLIANCES

SIMPLEX 4902 SERIES WALL MOUNTED SPEAKER



WIRING NOTES

1. MAINTAIN CORRECT POLARITY ON TERMINAL CONNECTIONS.
2. ALWAYS CUT CONDUCTORS AND SECURE UNDER TERMINALS. NEVER LOOP WIRES UNDER TERMINALS.
3. ANY WIRE SPICES TO BE MADE BY LISTED AND AHI APPROVED METHODS.



MOUNTING OPTIONS

OPTION	DESCRIPTION	NOTE
A	4\"/>	

tyco
SimplexGrinnell
Safer. Smarter. Tyco.™
DISTRICT - 147
30 THOMAS DRIVE
MILFORD, CT 06455
SERVICE: 207-842-6440
PHONE: 207-842-6440
FAX: 207-842-6439

FRANKLIN TOWERS
FRANKLIN TOWERS
211 CUMBERLAND AVE
PORTLAND, ME 04101

ISSUE LOG			
MARK	DATE	CAD	CHK DESCRIPTION

DRAWN BY: JDELAACRUZ
CHECKED BY: AONEAL
ISSUE DATE: 1/19/18
JOB #:
PROJECT #: 147.604032801
TYCO SIMPLEXGRINNELL © 2018

SYSTEM:
FIRE ALARM SYSTEM

SHEET:

WIRING TYPICALS

FA-703

IMPORTANT NOTICE: TO USER: BY ACCEPTING OR USING THIS DRAWING AND/OR THIS EXHIBIT YOU AGREE TO THE FOLLOWING TERMS AND CONDITIONS: THE ELECTRONIC INFORMATION IN THIS DRAWING MAY BE SUBJECT TO MODIFICATION OR AMENDMENT WITHOUT NOTICE. ANY USER MUST COPY FROM MODIFICATION OR AMENDMENT OF THIS INFORMATION CONTAINED HEREIN SHALL BE AT THE USER'S RISK. THIS INFORMATION MAY NOT BE SOLD OR TRANSFERRED TO ANY THIRD PARTY, USED ON OTHER PROJECTS OR ADDED TO THE PROJECT FOR WHICH IT WAS PREPARED, OR USED FOR COMPLETION OF THIS PROJECT BY ANY THIRD PARTY. SIMPLEXGRINNELL DISCLAIMS ALL LIABILITY FOR THE USE OR REUSE OF THESE FILES BY THE USER OR ANY THIRD PARTY AND ASSUMES NO LIABILITY FOR SUCH USE. PERMITTED BY THE USER TO REPRODUCE OR TRANSMIT IN ANY FORM OR BY ANY MEANS, ELECTRONIC OR MECHANICAL, INCLUDING PHOTOCOPYING, RECORDING, OR BY ANY INFORMATION STORAGE AND RETRIEVAL SYSTEM, WITHOUT PERMISSION IN WRITING FROM TYCO SIMPLEXGRINNELL. FOR ADDITIONAL INFORMATION, VISIT US AT WWW.TYCOSIMPLEXGRINNELL.COM