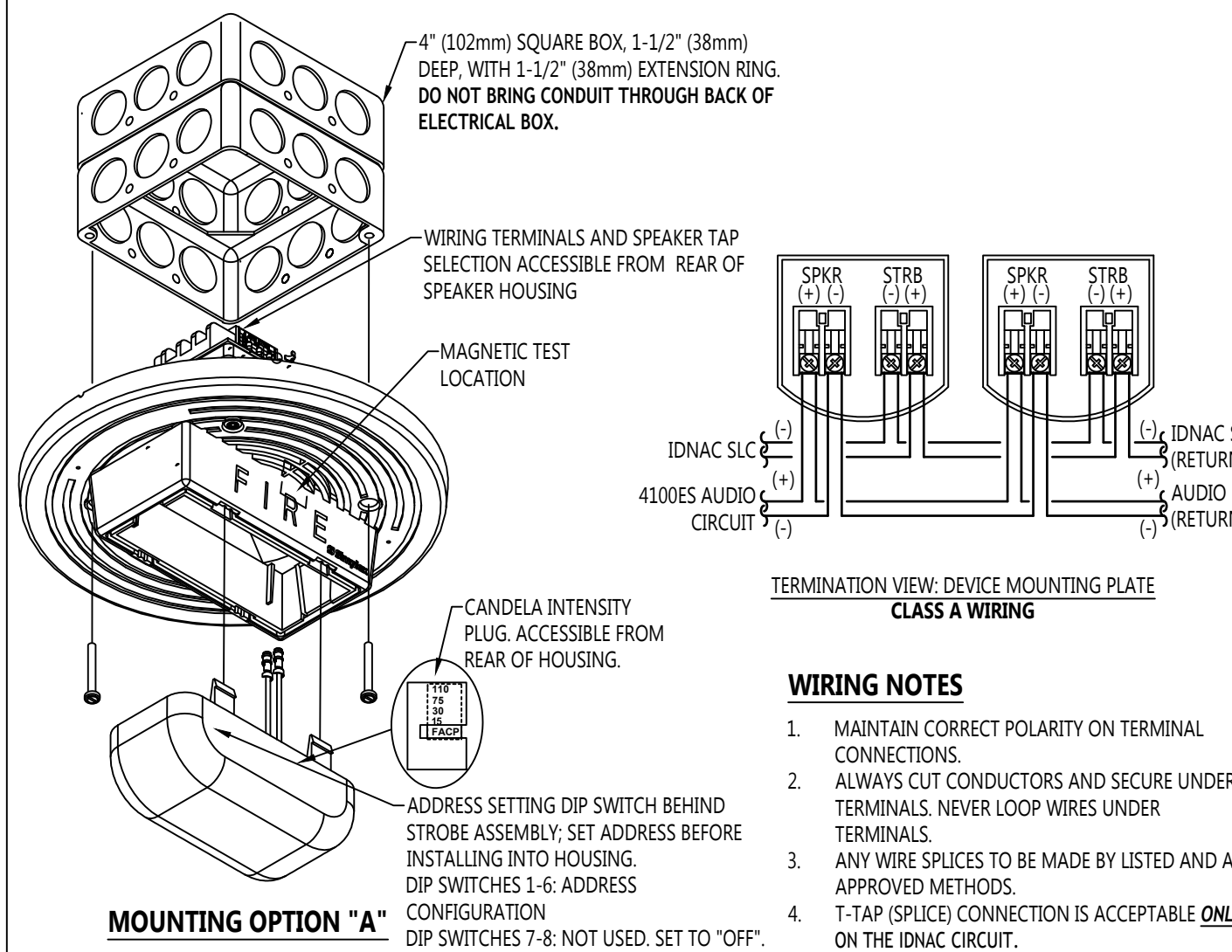


TrueAlert ADDRESSABLE APPLIANCES

SIMPLEX 4906 SERIES CEILING MOUNTED SPEAKER / VISUAL



OPTION ¹	DESCRIPTION	NOTE
A	4" (102mm) SQUARE BOX, 1-1/2" (38mm) DEEP WITH 1-1/2" (38mm) EXTENSION RING - FLUSH MOUNTING	BY OTHERS

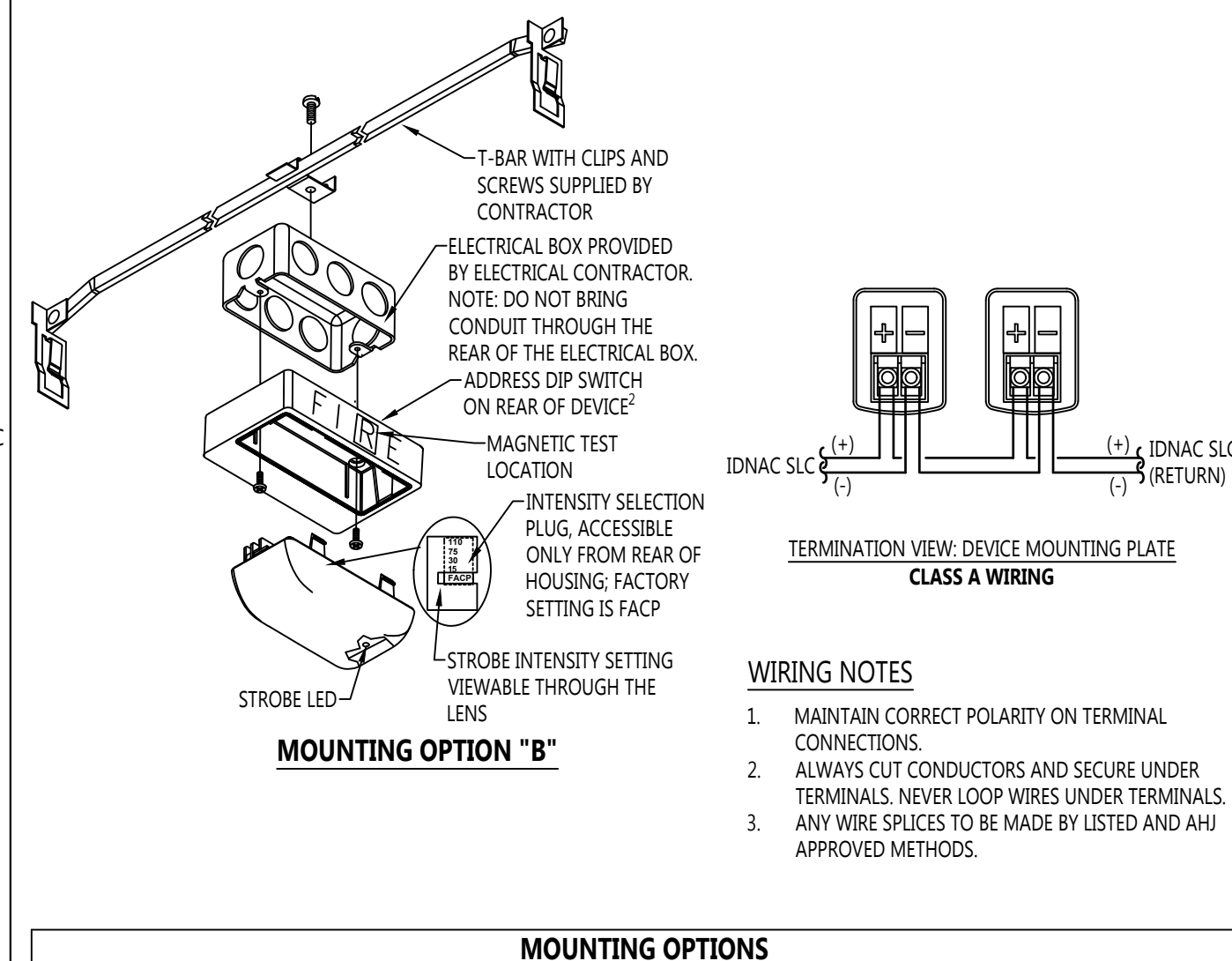
1. FOR ADDITIONAL MOUNTING OPTIONS, DOWNLOAD DATA SHEET 4906-0006 FROM HTTP://WWW.SIMPLEX-FIRE.COM

WIRING NOTES

1. MAINTAIN CORRECT POLARITY ON TERMINAL CONNECTIONS.
2. ALWAYS CUT CONDUCTORS AND SECURE UNDER TERMINALS. NEVER LOOP WIRES UNDER TERMINALS.
3. ANY WIRE SPLICES TO BE MADE BY LISTED AND AHJ APPROVED METHODS.
4. T-TAP (SPlice) CONNECTION IS ACCEPTABLE ONLY ON THE IDNAC CIRCUIT.

TrueAlert ADDRESSABLE APPLIANCES

SIMPLEX 4906 SERIES CEILING MOUNTED VISUAL ONLY



OPTION ¹	DESCRIPTION	NOTE
A	SINGLE GANG BOX, 2-1/4" (57mm) DEEP (MINIMUM)	BY OTHERS
B	HANDY BOX, 1-1/2" (38mm) DEEP, OR SINGLE GANG BOX 2-1/2" (64mm) DEEP	4905-9910 ADAPTER PLATE REQUIRED FOR SURFACE MOUNT WITH HANDY BOX UNLESS USING 4905-9926 WIRE GUARD

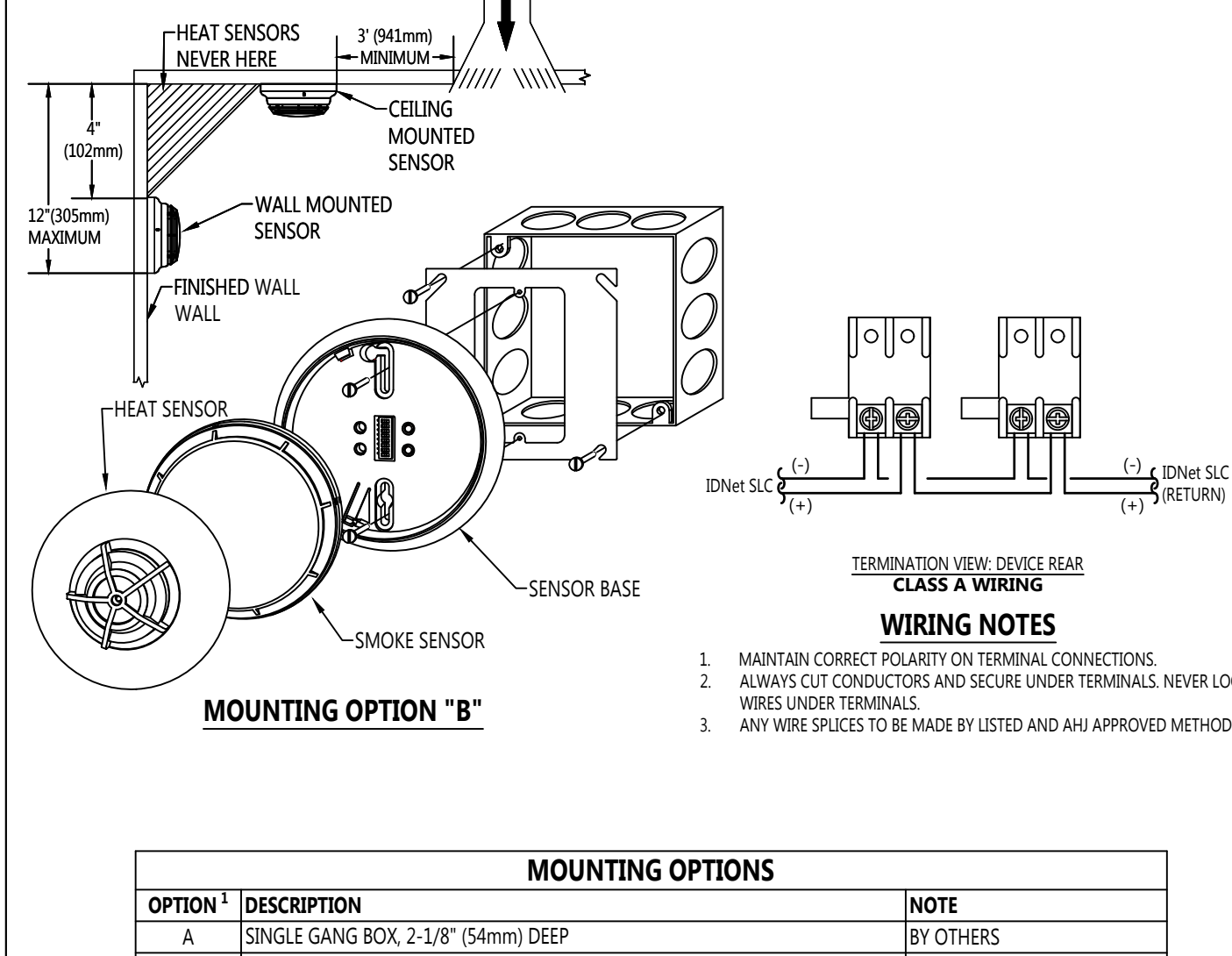
1. FOR ADDITIONAL MOUNTING OPTIONS, DOWNLOAD DATA SHEET 4906-0004 FROM HTTP://WWW.SIMPLEX-FIRE.COM
2. SEE IDNAC DIP SWITCH SETTING DETAIL. DO NOT SET ADDRESS HIGHER THAN 63.

WIRING NOTES

1. MAINTAIN CORRECT POLARITY ON TERMINAL CONNECTIONS.
2. ALWAYS CUT CONDUCTORS AND SECURE UNDER TERMINALS. NEVER LOOP WIRES UNDER TERMINALS.
3. ANY WIRE SPLICES TO BE MADE BY LISTED AND AHJ APPROVED METHODS.

STANDARD SENSOR BASE

SIMPLEX 4098-9792



OPTION ¹	DESCRIPTION	NOTE
A	SINGLE GANG BOX, 2-1/8" (54mm) DEEP	BY OTHERS
B	4" (102mm) SQUARE BOX, 1-1/2" DEEP (MIN) W/ SINGLE GANG COVER PLATE 3/4" (19mm) EXTENSION	BY OTHERS
C	4" (102mm) OCTAGONAL BOX, 1-1/2" (38mm) DEEP, MINIMUM	BY OTHERS
D	4" (102mm) SQUARE BOX, 1-1/2" DEEP (MIN) W/ SIMPLEX 4098-9832 ADAPTER KIT	BOX BY OTHER, 4098-9832 ORDERED SEPARATELY

1. FOR ADDITIONAL MOUNTING OPTIONS, DOWNLOAD DATA SHEET 4098-0019 FROM HTTP://WWW.SIMPLEX-FIRE.COM

WIRING NOTES

1. MAINTAIN CORRECT POLARITY ON TERMINAL CONNECTIONS.
2. ALWAYS CUT CONDUCTORS AND SECURE UNDER TERMINALS. NEVER LOOP WIRES UNDER TERMINALS.
3. ANY WIRE SPLICES TO BE MADE BY LISTED AND AHJ APPROVED METHODS.

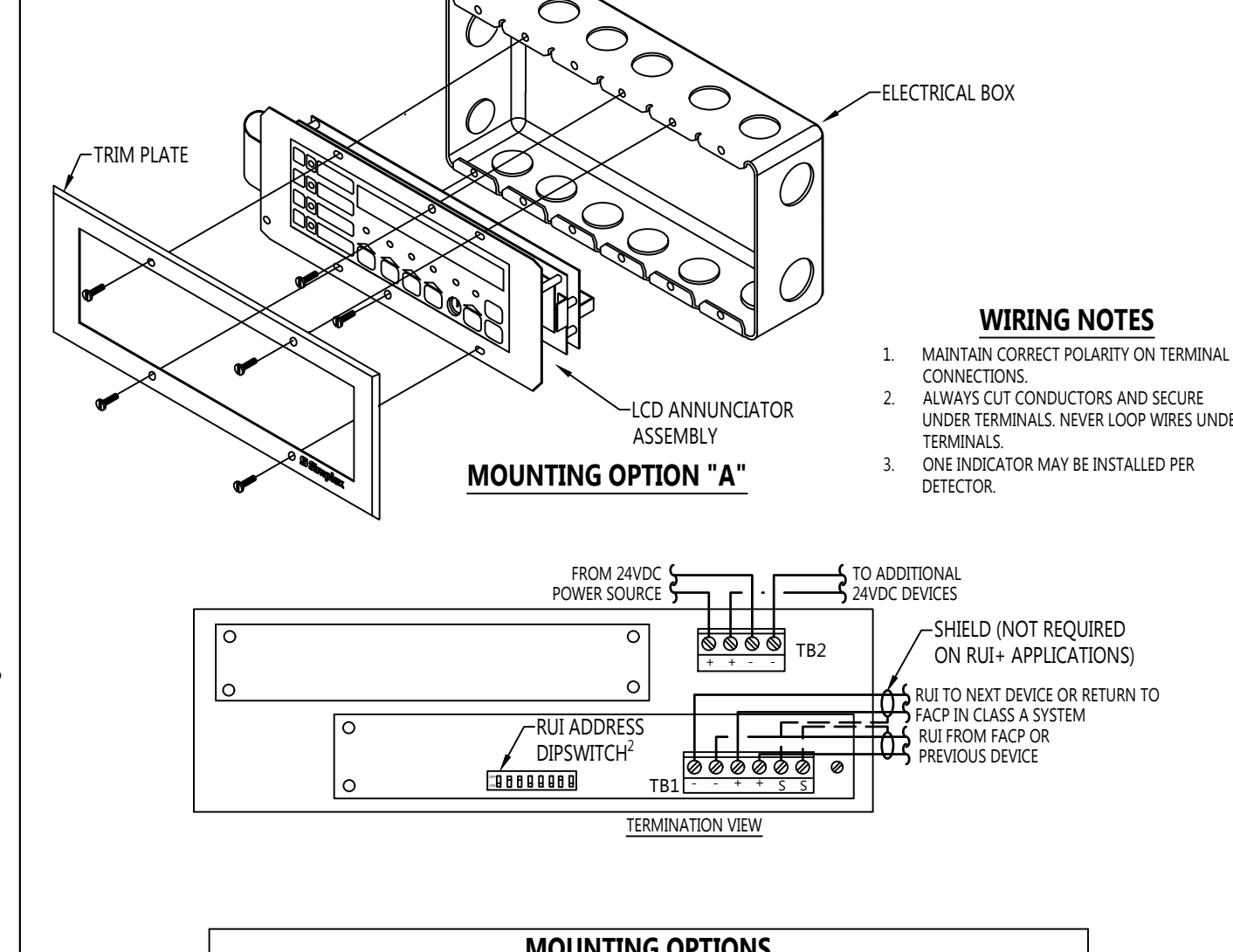
MOUNTING OPTIONS

OPTION ¹	DESCRIPTION	NOTE
A	SINGLE GANG BOX, 2-1/8" (54mm) DEEP	BY OTHERS
B	4" (102mm) SQUARE BOX, 1-1/2" DEEP (MIN) W/ SINGLE GANG COVER PLATE 3/4" (19mm) EXTENSION	BY OTHERS
C	4" (102mm) OCTAGONAL BOX, 1-1/2" (38mm) DEEP, MINIMUM	BY OTHERS
D	4" (102mm) SQUARE BOX, 1-1/2" DEEP (MIN) W/ SIMPLEX 4098-9832 ADAPTER KIT	BOX BY OTHER, 4098-9832 ORDERED SEPARATELY

1. FOR ADDITIONAL MOUNTING OPTIONS, DOWNLOAD DATA SHEET 4098-0019 FROM HTTP://WWW.SIMPLEX-FIRE.COM

REMOTE ANNUNCIATOR

SIMPLEX 4603-9101



OPTION ¹	DESCRIPTION	NOTE
A	FLUSH MOUNT - 6-GANG BOX, 3-1/2" (89mm) DEEP	BY OTHERS
B	SURFACE MOUNT - MASONRY BOX, 3-1/2" (89mm) DEEP	BY OTHERS
C	SURFACE MOUNT - SIMPLEX 2975-9206, 2-3/4" (70mm) DEEP	ORDERED SEPARATELY

1. FOR ADDITIONAL INFORMATION, DOWNLOAD DATA SHEET 4603-0001 FROM HTTP://WWW.SIMPLEX-FIRE.COM
2. REFER TO RUI DIP SWITCH SETTINGS DETAIL.

WIRING NOTES

1. MAINTAIN CORRECT POLARITY ON TERMINAL CONNECTIONS.
2. ALWAYS CUT CONDUCTORS AND SECURE UNDER TERMINALS. NEVER LOOP WIRES UNDER TERMINALS.
3. ONE INDICATOR MAY BE INSTALLED PER DETECTOR.

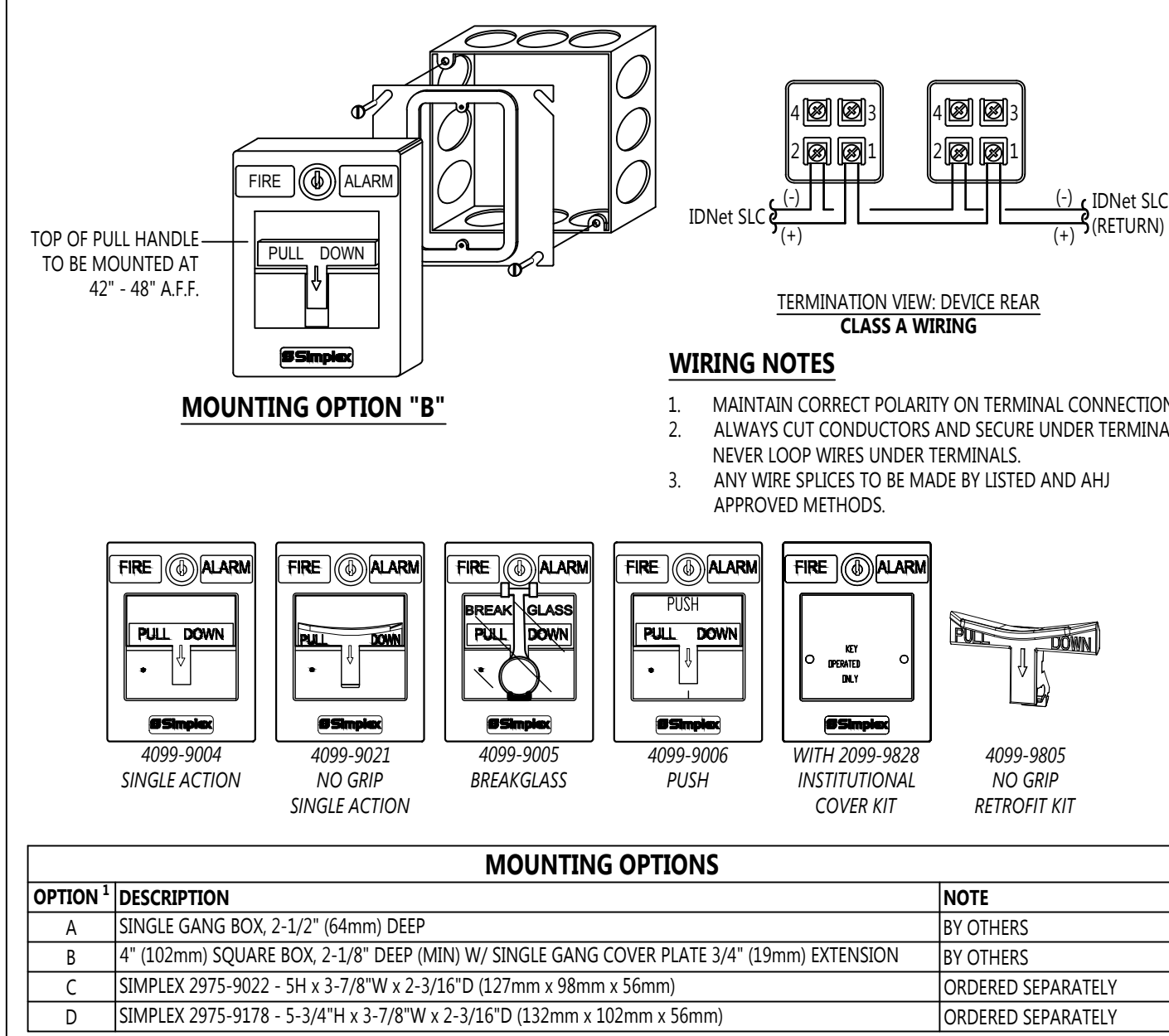
MOUNTING OPTIONS

OPTION ¹	DESCRIPTION	NOTE
A	FLUSH MOUNT - 6-GANG BOX, 3-1/2" (89mm) DEEP	BY OTHERS
B	SURFACE MOUNT - MASONRY BOX, 3-1/2" (89mm) DEEP	BY OTHERS
C	SURFACE MOUNT - SIMPLEX 2975-9206, 2-3/4" (70mm) DEEP	ORDERED SEPARATELY

1. FOR ADDITIONAL INFORMATION, DOWNLOAD DATA SHEET 4603-0001 FROM HTTP://WWW.SIMPLEX-FIRE.COM
2. REFER TO RUI DIP SWITCH SETTINGS DETAIL.

ADDRESSABLE PULL STATIONS

SIMPLEX 4099 SERIES



OPTION ¹	DESCRIPTION	NOTE
A	SINGLE GANG BOX, 2-1/2" (64mm) DEEP	BY OTHERS
B	4" (102mm) SQUARE BOX, 2-1/8" DEEP (MIN) W/ SINGLE GANG COVER PLATE 3/4" (19mm) EXTENSION	BY OTHERS
C	SIMPLEX 2975-9022 - 5H x 3-7/8" W x 2-3/16" D (127mm x 98mm x 56mm)	ORDERED SEPARATELY
D	SIMPLEX 2975-9178 - 5-3/4" H x 3-7/8" W x 2-3/16" D (132mm x 102mm x 56mm)	ORDERED SEPARATELY

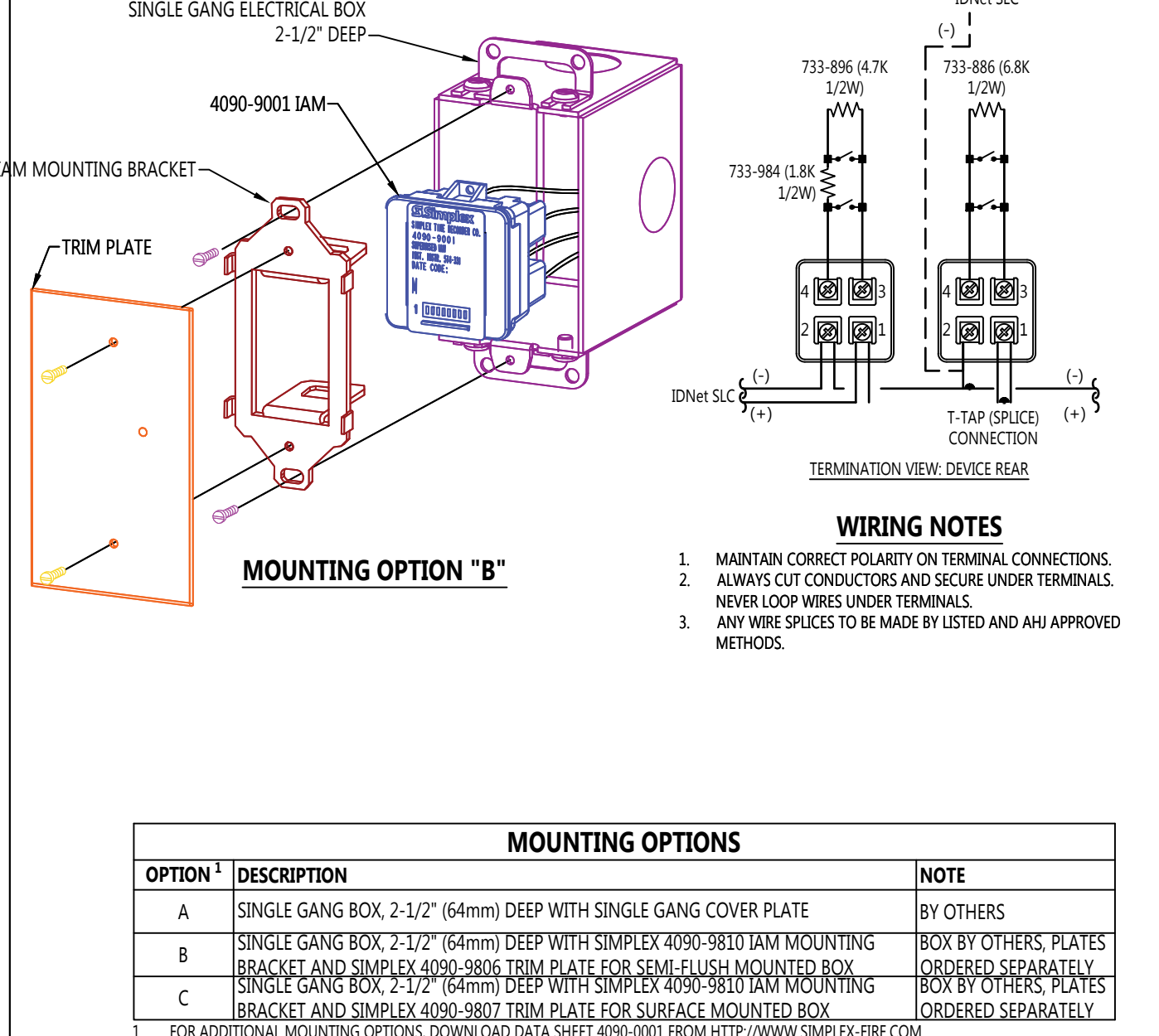
1. FOR ADDITIONAL MOUNTING OPTIONS, DOWNLOAD DATA SHEET 4099-0005 FROM HTTP://WWW.SIMPLEX-FIRE.COM

WIRING NOTES

1. MAINTAIN CORRECT POLARITY ON TERMINAL CONNECTIONS.
2. ALWAYS CUT CONDUCTORS AND SECURE UNDER TERMINALS. NEVER LOOP WIRES UNDER TERMINALS.
3. ANY WIRE SPLICES TO BE MADE BY LISTED AND AHJ APPROVED METHODS.

ADDRESSABLE INPUT MODULE

SIMPLEX 4090-9001 (IAM)



OPTION ¹	DESCRIPTION	NOTE
A	SINGLE GANG BOX, 2-1/2" (64mm) DEEP WITH SINGLE GANG COVER PLATE	BY OTHERS
B	SINGLE GANG BOX, 2-1/2" (64mm) DEEP WITH SIMPLEX 4090-9810 IAM MOUNTING BRACKET AND SIMPLEX 4090-9806 TRIM PLATE FOR SEMI-FLUSH MOUNTED BOX	BOX BY OTHERS, PLATES ORDERED SEPARATELY
C	SINGLE GANG BOX, 2-1/2" (64mm) DEEP WITH SIMPLEX 4090-9801 IAM MOUNTING BRACKET AND SIMPLEX 4090-9807 TRIM PLATE FOR SURFACE MOUNTED BOX	BOX BY OTHERS, PLATES ORDERED SEPARATELY

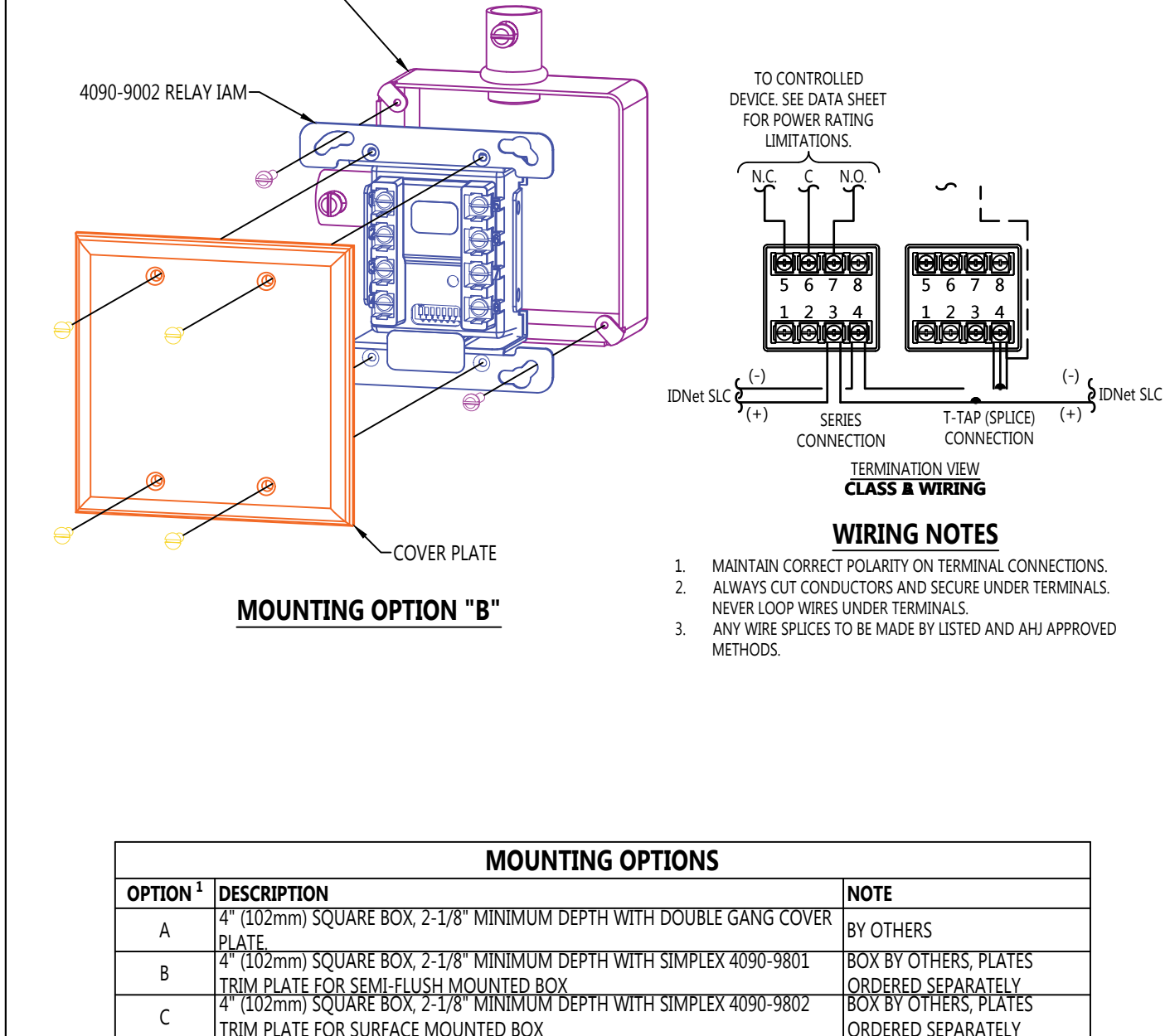
1. FOR ADDITIONAL MOUNTING OPTIONS, DOWNLOAD DATA SHEET 4090-0001 FROM HTTP://WWW.SIMPLEX-FIRE.COM

WIRING NOTES

1. MAINTAIN CORRECT POLARITY ON TERMINAL CONNECTIONS.
2. ALWAYS CUT CONDUCTORS AND SECURE UNDER TERMINALS. NEVER LOOP WIRES UNDER TERMINALS.
3. ANY WIRE SPLICES TO BE MADE BY LISTED AND AHJ APPROVED METHODS.

ADDRESSABLE RELAY MODULE

SIMPLEX 4090-9002



OPTION ¹	DESCRIPTION	NOTE
A	4" (102mm) SQUARE BOX, 2-1/8" MINIMUM DEPTH WITH DOUBLE GANG COVER PLATE	BY OTHERS
B	4" (102mm) SQUARE BOX, 2-1/8" MINIMUM DEPTH WITH SIMPLEX 4090-9801 TRIM PLATE FOR SEMI-FLUSH MOUNTED BOX	BOX BY OTHERS, PLATES ORDERED SEPARATELY
C	4" (102mm) SQUARE BOX, 2-1/8" MINIMUM DEPTH WITH SIMPLEX 4090-9802 TRIM PLATE FOR SURFACE MOUNTED BOX	BOX BY OTHERS, PLATES ORDERED SEPARATELY

1. FOR ADDITIONAL MOUNTING OPTIONS, DOWNLOAD DATA SHEET 4090-0002 FROM HTTP://WWW.SIMPLEX-FIRE.COM

WIRING NOTES

1. MAINTAIN CORRECT POLARITY ON TERMINAL CONNECTIONS.
2. ALWAYS CUT CONDUCTORS AND SECURE UNDER TERMINALS. NEVER LOOP WIRES UNDER TERMINALS.
3. ANY WIRE SPLICES TO BE MADE BY LISTED AND AHJ APPROVED METHODS.

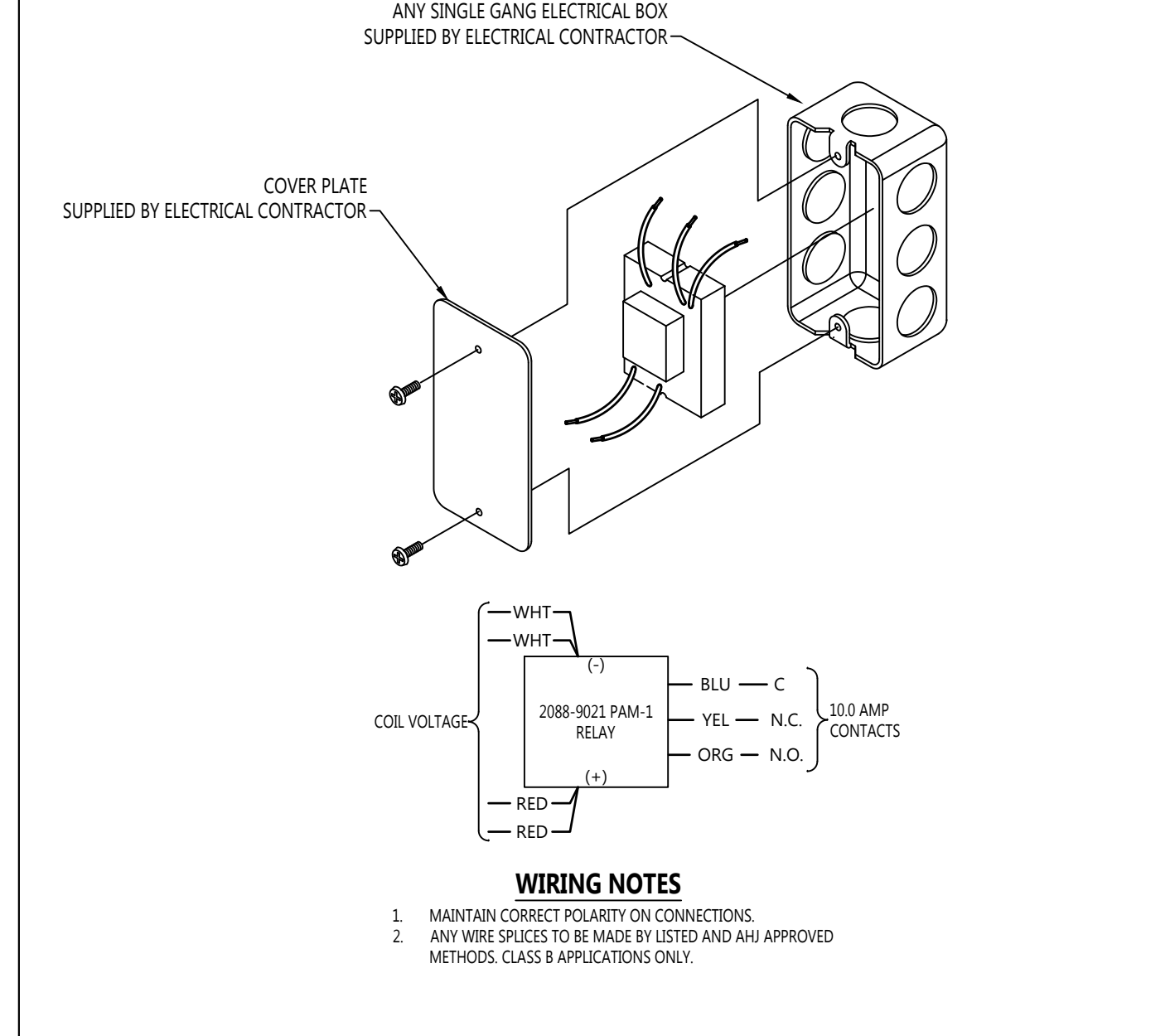
MOUNTING OPTIONS

OPTION ¹	DESCRIPTION	NOTE
A	4" (102mm) SQUARE BOX, 2-1/8" MINIMUM DEPTH WITH DOUBLE GANG COVER PLATE	BY OTHERS
B	4" (102mm) SQUARE BOX, 2-1/8" MINIMUM DEPTH WITH SIMPLEX 4090-9801 TRIM PLATE FOR SEMI-FLUSH MOUNTED BOX	BOX BY OTHERS, PLATES ORDERED SEPARATELY
C	4" (102mm) SQUARE BOX, 2-1/8" MINIMUM DEPTH WITH SIMPLEX 4090-9802 TRIM PLATE FOR SURFACE MOUNTED BOX	BOX BY OTHERS, PLATES ORDERED SEPARATELY

1. FOR ADDITIONAL MOUNTING OPTIONS, DOWNLOAD DATA SHEET 4090-0002 FROM HTTP://WWW.SIMPLEX-FIRE.COM

MULTI-VOLTAGE RELAY

SIMPLEX 2088-9021 / APOLLO AMERICA PAM-1



OPTION ¹	DESCRIPTION	NOTE
A	4" (102mm) SQUARE BOX, 2-1/8" MINIMUM DEPTH WITH DOUBLE GANG COVER PLATE	BY OTHERS
B	4" (102mm) SQUARE BOX, 2-1/8" MINIMUM DEPTH WITH SIMPLEX 4090-9801 TRIM PLATE FOR SEMI-FLUSH MOUNTED BOX	BOX BY OTHERS, PLATES ORDERED SEPARATELY
C	4" (102mm) SQUARE BOX, 2-1/8" MINIMUM DEPTH WITH SIMPLEX 4090-9802 TRIM PLATE FOR SURFACE MOUNTED BOX	BOX BY OTHERS, PLATES ORDERED SEPARATELY

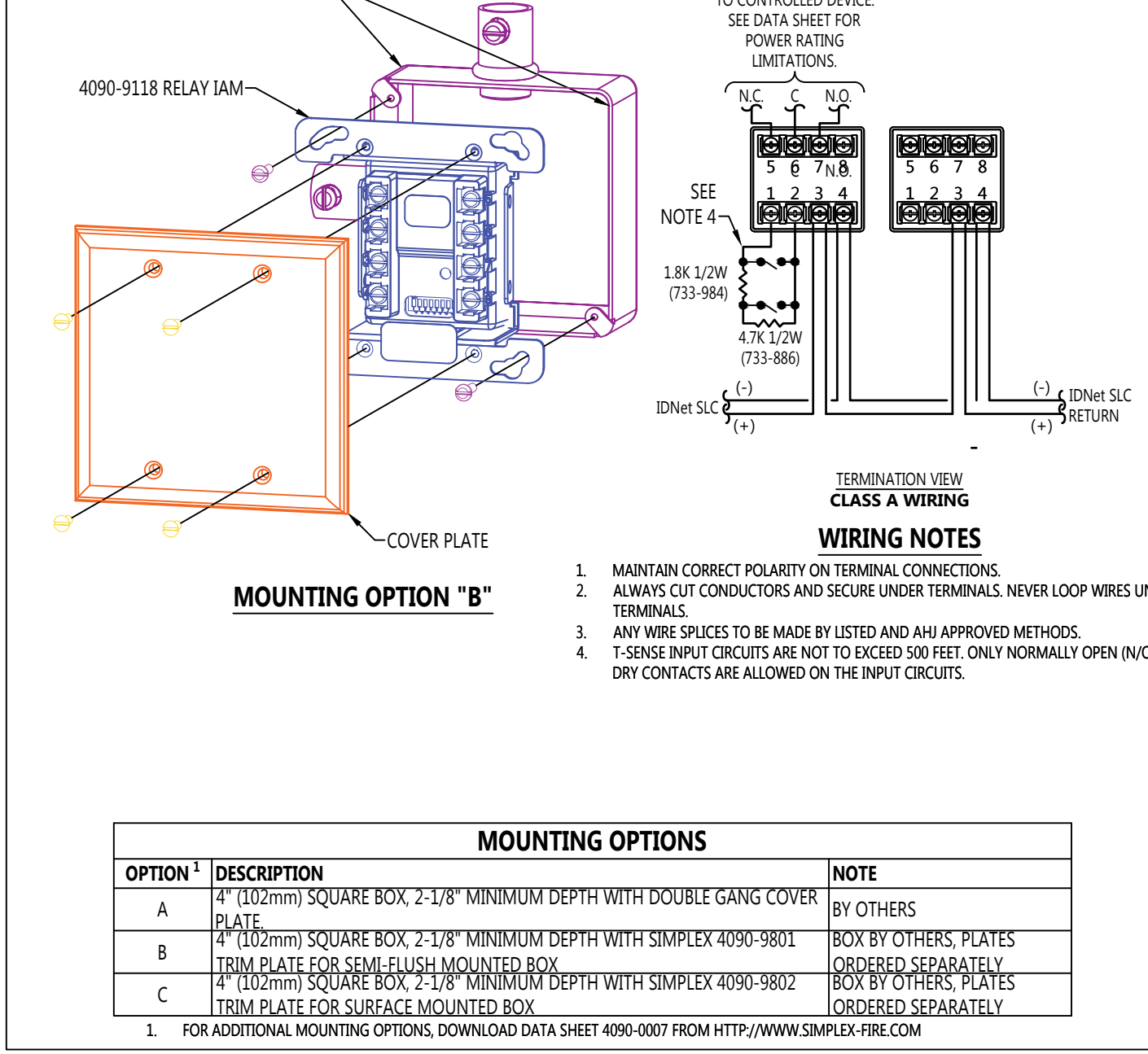
1. FOR ADDITIONAL DETAILS SEE DATA SHEET 2088-0010 ON HTTP://WWW.SIMPLEX-FIRE.COM

WIRING NOTES

1. MAINTAIN CORRECT POLARITY ON CONNECTIONS.
2. ANY WIRE SPLICES TO BE MADE BY LISTED AND AHJ APPROVED METHODS. CLASS B APPLICATIONS ONLY.

ADDRESSABLE RELAY MODULE

SIMPLEX 4090-9118 WITH T-SENSE



OPTION ¹	DESCRIPTION	NOTE
A	4" (102mm) SQUARE BOX, 2-1/8" MINIMUM DEPTH WITH DOUBLE GANG COVER PLATE	BY OTHERS
B	4" (102mm) SQUARE BOX, 2-1/8" MINIMUM DEPTH WITH SIMPLEX 4090-9801 TRIM PLATE FOR SEMI-FLUSH MOUNTED BOX	BOX BY OTHERS, PLATES ORDERED SEPARATELY
C	4" (102mm) SQUARE BOX, 2-1/8" MINIMUM DEPTH WITH SIMPLEX 4090-9802 TRIM PLATE FOR SURFACE MOUNTED BOX	BOX BY OTHERS, PLATES ORDERED SEPARATELY

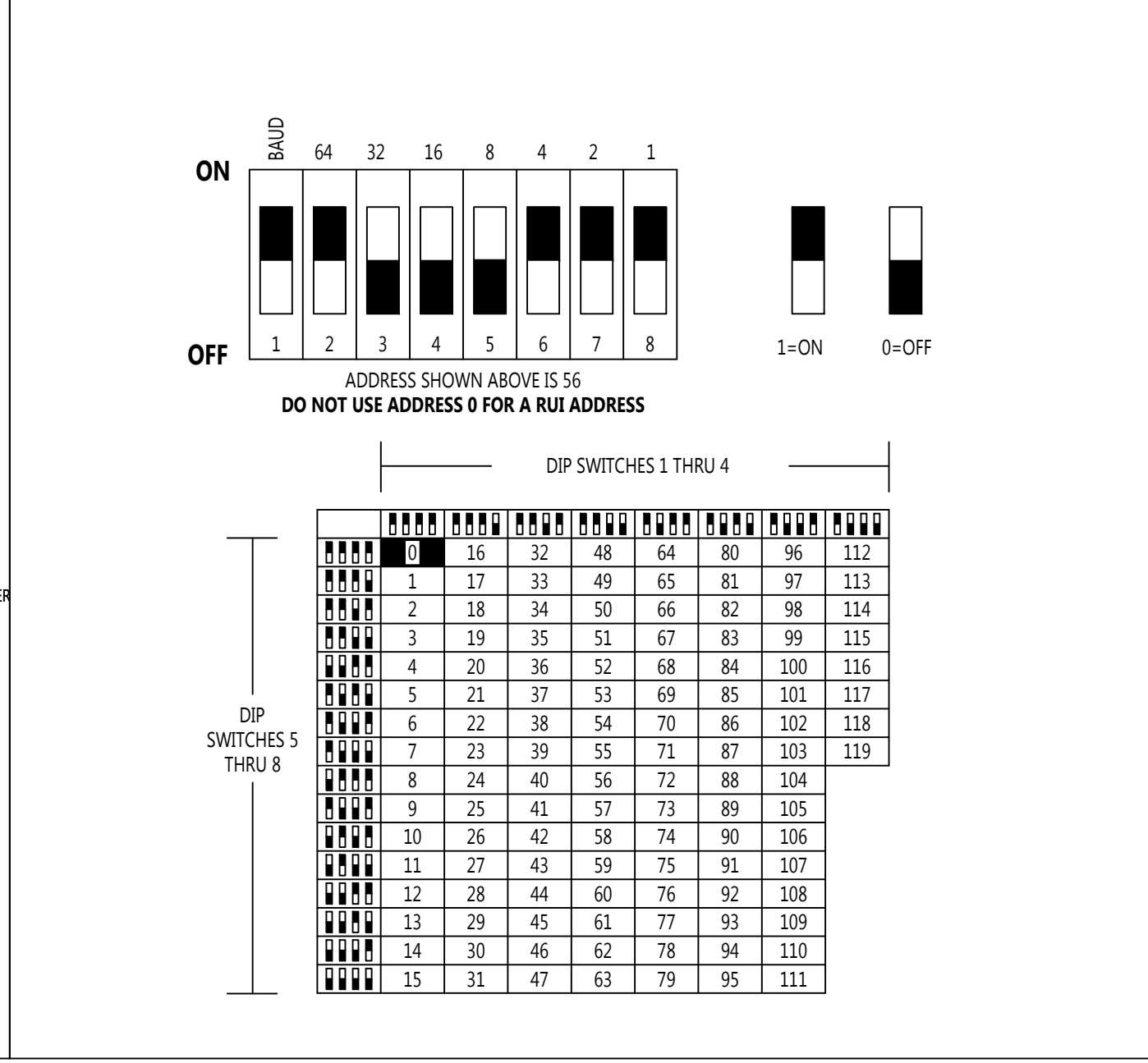
1. FOR ADDITIONAL MOUNTING OPTIONS, DOWNLOAD DATA SHEET 4090-0007 FROM HTTP://WWW.SIMPLEX-FIRE.COM

WIRING NOTES

1. MAINTAIN CORRECT POLARITY ON TERMINAL CONNECTIONS.
2. ALWAYS CUT CONDUCTORS AND SECURE UNDER TERMINALS. NEVER LOOP WIRES UNDER TERMINALS.
3. ANY WIRE SPLICES TO BE MADE BY LISTED AND AHJ APPROVED METHODS.
4. T-SENSE INPUT CIRCUITS ARE NOT TO EXCEED 500 FEET. ONLY NORMALLY OPEN (N/O) DRY CONTACTS ARE ALLOWED ON THE INPUT CIRCUITS.

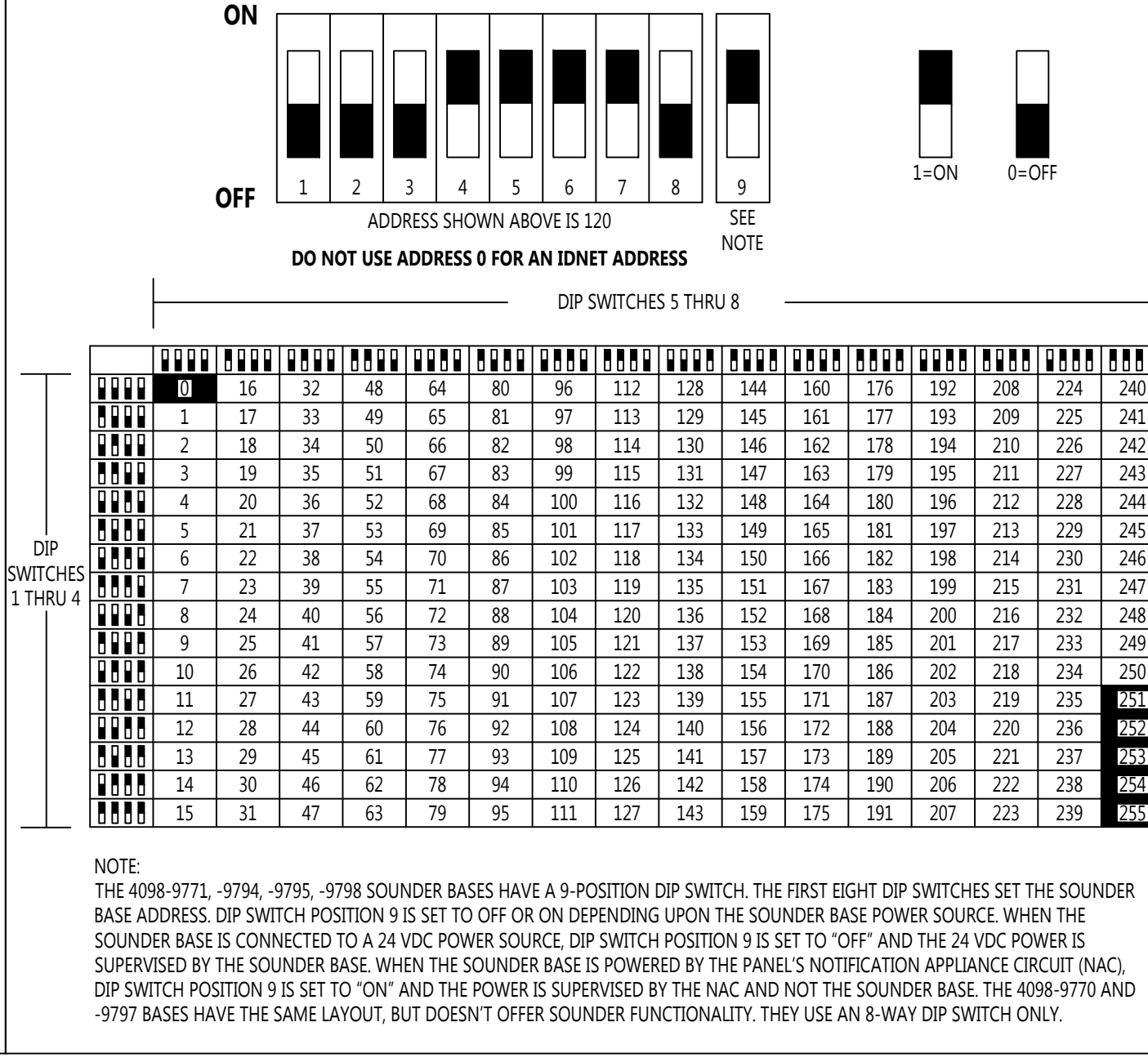
COMMUNICATIONS DIP SWITCH SETTINGS

SIMPLEX RUI (REMOTE UNIT INTERFACE)



INITIATING DEVICE DIP SWITCH SETTINGS

SIMPLEX IDNET



WIRING NOTES

- NOTE: THE 4098-9771, -9794, -9795, -9798 SOUNDER BASES HAVE A 9-POSITION DIP SWITCH. THE FIRST EIGHT DIP SWITCHES SET THE SOUNDER BASE ADDRESS. DIP SWITCH POSITION 9 IS SET TO OFF OR ON DEPENDING UPON THE SOUNDER BASE POWER SOURCE. WHEN THE SOUNDER BASE IS CONNECTED TO A 24 VDC POWER SOURCE, DIP SWITCH POSITION 9 IS SET TO "OFF" AND THE 24 VDC POWER IS SUPERVISED BY THE SOUNDER BASE. WHEN THE SOUNDER BASE IS POWERED BY THE PANEL'S NOTIFICATION APPLIANCE CIRCUIT (NAC), DIP SWITCH POSITION 9 IS SET TO "ON" AND THE POWER IS SUPERVISED BY THE NAC AND NOT THE SOUNDER BASE. THE 4098-9770 AND -9797 BASES HAVE THE SAME LAYOUT, BUT DOESN'T OFFER SOUNDER FUNCTIONALITY. THEY USE AN 8-WAY DIP SWITCH ONLY.

NOTIFICATION APPLIANCE DIP SWITCH SETTINGS

SIMPLEX TRUEALERT ES / IDNAC

