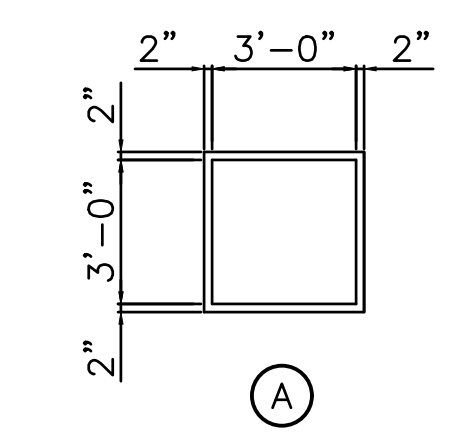
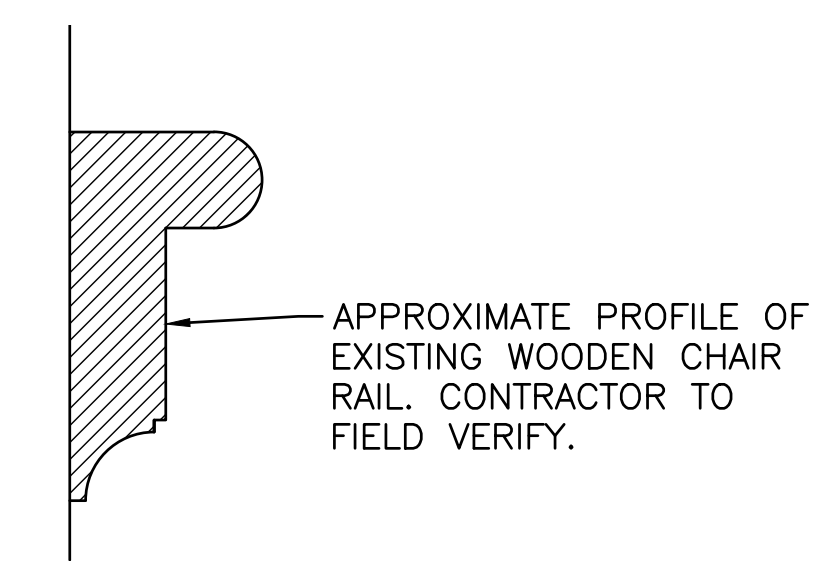


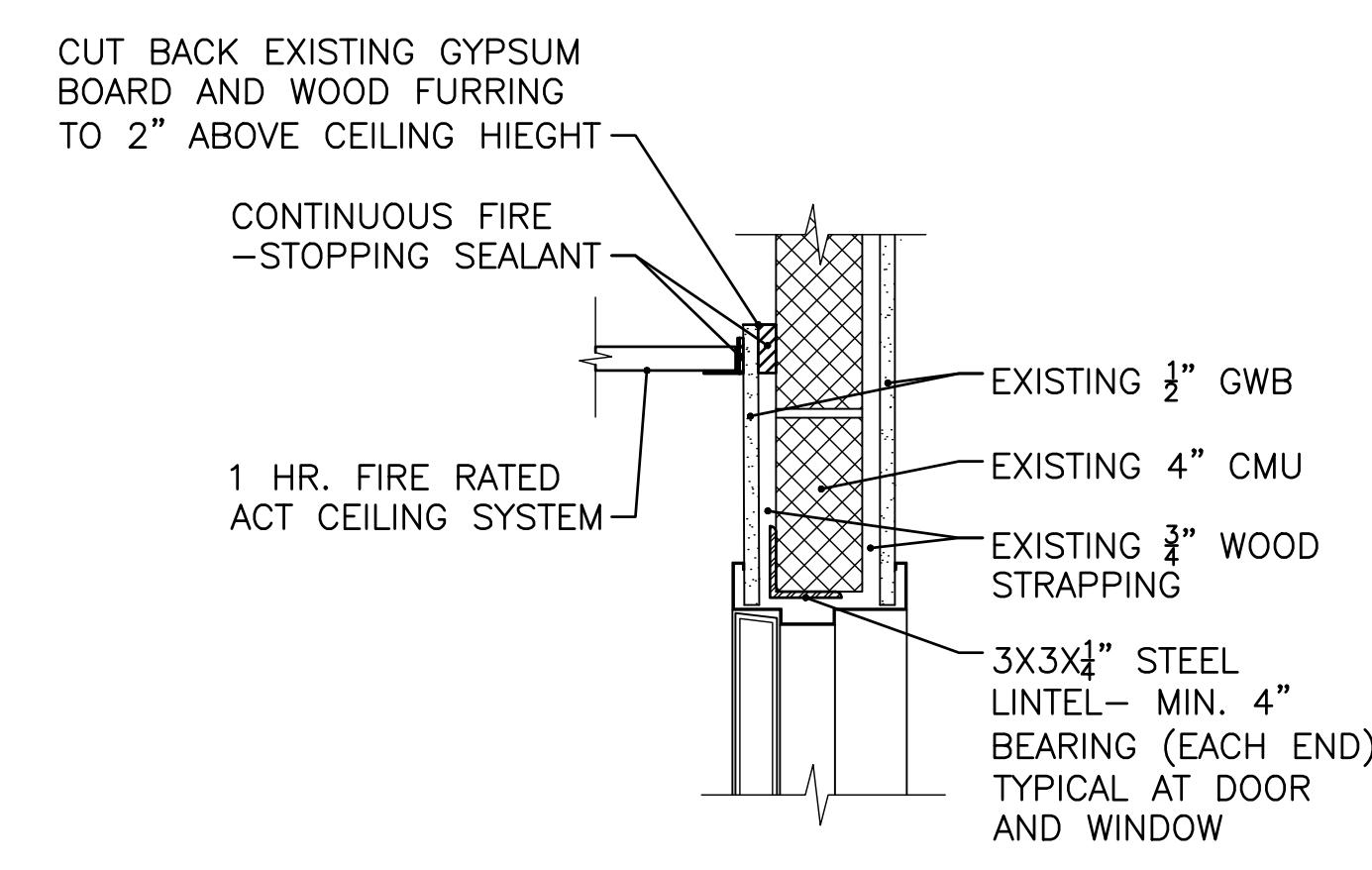
DOOR & FRAME TYPES



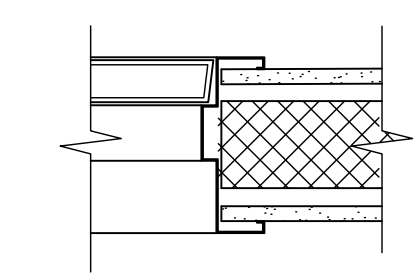
WINDOW TYPES



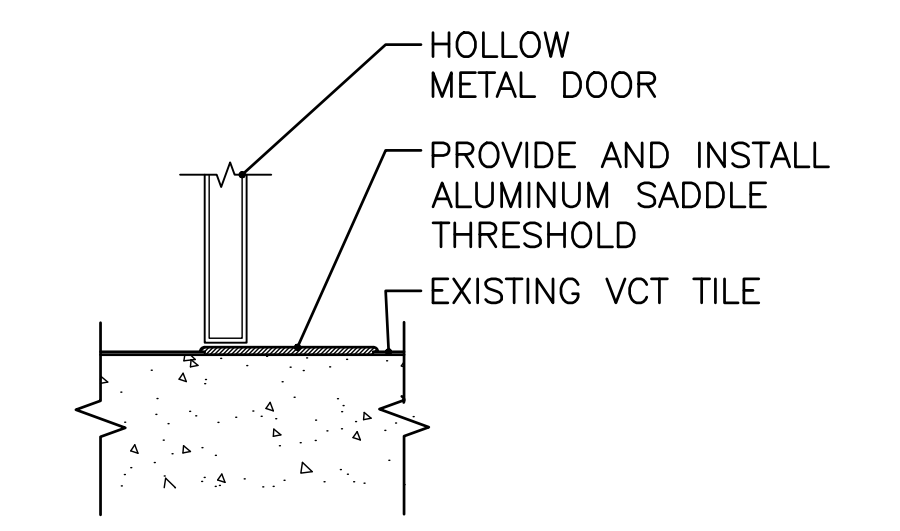
CHAIR RAIL DETAIL  
A-102 SCALE: HALF SCALE



HEAD DETAIL  
A-102 SCALE: 1/2" = 1'-0"



JAMB DETAIL  
A-102 SCALE: 1/2" = 1'-0"



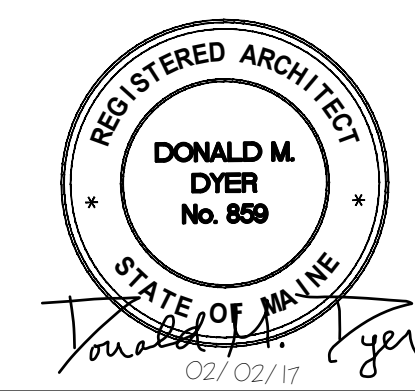
ELEVATION  
A-102 SCALE: 1/2" = 1'-0"

WINDOW SCHEDULE						
TYPE	MATERIAL	OPERATION	SIZE WxH	DETAILS	FIRE RATING	GLASS
A	STEEL	FIXED	3'-0" X 3'-0"	1, 2/A102	1 HOUR	1/4" LAMINATED

DOOR & FRAME SCHEDULE											
DOOR #	DESCRIPTION:	SIZE WxH	THICKNESS	DOOR MATERIAL	DOOR TYPE	FIRE RATING	FRAME MATERIAL	FRAME TYPE	HDWR SET	DETAILS	REMARKS
1	FIRE ALARM COMMAND CENTER	3'-0" X 7'-0"	1 3/4"	HM	A	45 MIN.	STEEL	1	1	1,2,3/A102	14"x14" LOUVER

ROOM FINISH SCHEDULE						
ROOM NAME	FLOOR	BASE	ALL WALLS	CEILING	CEILING HIEGHT	REMARKS
FIRE ALARM COMMAND CENTER	EXISTING VCT	RESILIENT	GYPSUM/ PAINT TO MATCH	2X4 ACT	8'-0"	FIRE RATED 1 HR CEILING

ABBREVIATIONS:  
HM= HOLLOW METAL  
ACT= ACOUSTICAL CEILING TILE  
VCT= VINYL COMPOSITION TILE



PORTLAND HOUSING AUTHORITY PORTLAND, MAINE			
FRANKLIN TOWERS - FIRE ALARM UPGRADE BUILD FIRE COMMAND CENTER			
SCHEDULES AND DETAILS			
0	ISSUED FOR BID	PDG	BLB 02/02/17
REV	DESCRIPTION	DWN	APP DATE
PLEASE NOTE: THIS DOCUMENT MAY NOT ACCURATELY REPRESENT THE FINAL DOCUMENT. ONLY AN ENGINEER, ARCHITECT OR SURVEYOR SIGNED, SEALED AND DATED PAPER COPY, PROVIDED BY THIS OFFICE, MAY BE UTILIZED FOR BIDDING OR CONSTRUCTION PURPOSES.		ANSI D DATE: 02/02/2017 DES BY: PDG DWN BY: PDG CKD BY: BLB	
PROJECT NO. 218.016.001		DRAWING NO. A-102	
SHEET 2 OF 4			

X:\218 Portland Housing Authority\218.016.001 - Franklin Tower Fire Alarm Upgrade\Drawings\Build Fire Command Center\Sheets\A-102.dwg - 2/6/2017 12:11 PM - JASON BEALLIEU