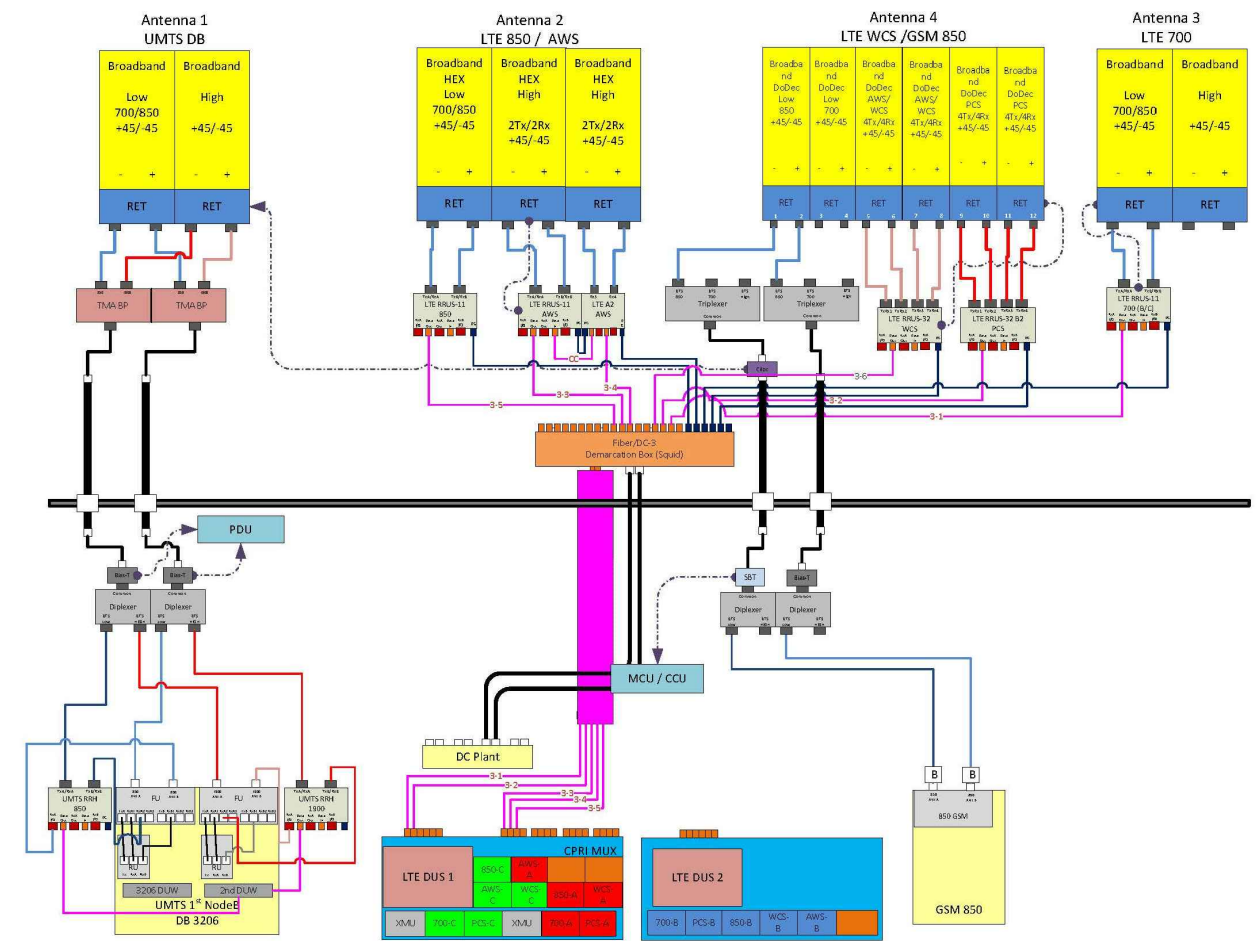


**RF PLUMBING DIAGRAM (ALPHA & BETA)**

SCALE: N.T.S

1  
RF-1



**RF PLUMBING DIAGRAM (GAMMA)**

SCALE: N.T.S

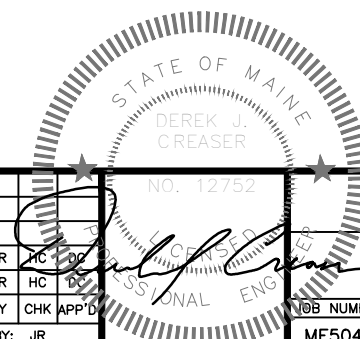
2  
RF-1

**NOTES:**

1. CONTRACTOR TO CONFIRM ALL PARTS.
2. INSTALL ALL EQUIPMENT TO MANUFACTURER'S RECOMMENDATIONS.

**NOTE:**

REFER TO THE FINAL RF DATA SHEET FOR FINAL ANTENNA SETTINGS.



1600 OSGOOD STREET  
BUILDING 20 NORTH, SUITE 309D  
N. ANDOVER, MA 01845  
TEL: (978) 557-5553  
FAX: (978) 336-5586



16 ESQUIRE ROAD  
BILLERICA, MA 01862  
TEL: (978) 608-8400

**SITE NUMBER: ME5040**  
**SITE NAME: MUNJOY HILL**

211 CUMBERLAND AVENUE  
PORTLAND, ME 04101  
CUMBERLAND COUNTY



550 COCHITUATE ROAD  
FRAMINGHAM, MA 01701

								AT&T	
								RF PLUMBING DIAGRAM (LTE 5C 2016)	
NO.	DATE	REVISIONS		BY	CHK	APP'D	JOB NUMBER		REV
1	03/08/16	ISSUED FOR CONSTRUCTION		JR	HC		ME5040		
0	02/01/16	ISSUED FOR REVIEW		JR	HC		RF-1		1
SCALE: AS SHOWN		DESIGNED BY: HC		DRAWN BY: JR					