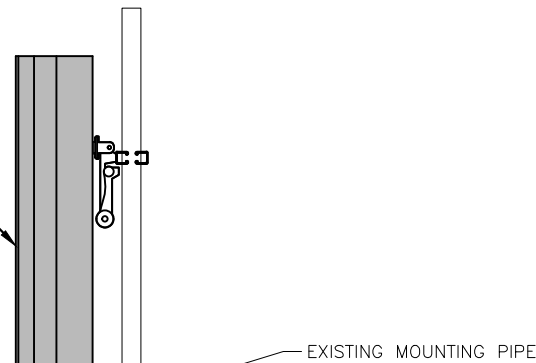


PROPOSED LTE 5C ANTENNA
(TYP. OF 1 PER SECTOR,
TOTAL OF 3) INSTALLED ON
EXISTING MOUNTING PIPE

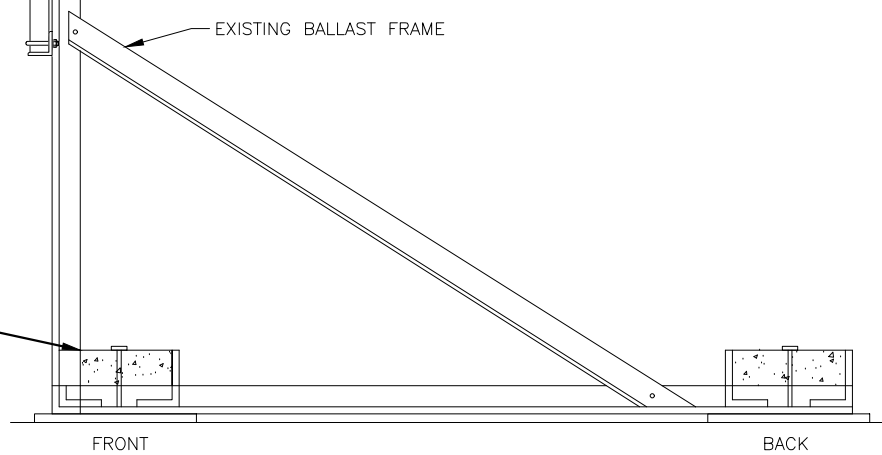


NUMBER OF BLOCKS PER SIDE	FRONT	BACK
SIZE OF BLOCKS	4"x8"x16" (SOLID)	4"x8"x16" (SOLID)
WEIGHT OF BLOCKS	38 lbs. EACH	38 lbs. EACH
TOTAL NUMBER OF BLOCKS	20	34
TOTAL WEIGHT OF BLOCKS PER SIDE	760 lbs.	1,292 lbs.

EXISTING MOUNTING PIPE

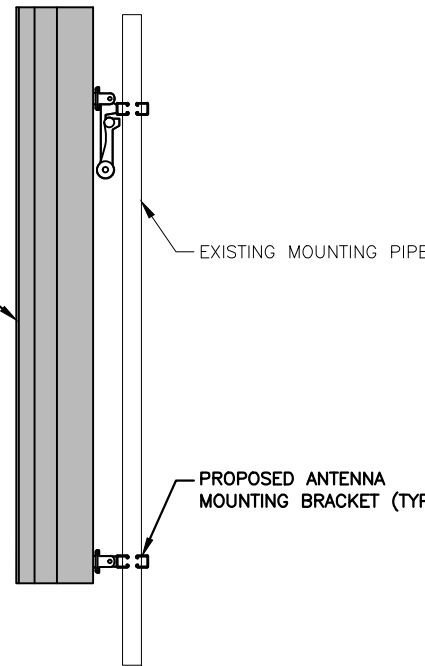
EXISTING BALLAST FRAME

PROPOSED & EXISTING
BALLAST BLOCKS
(SEE CHART FOR DETAILS)



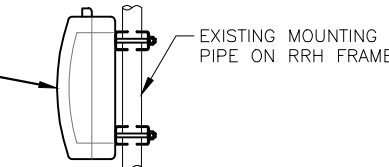
**PROPOSED LTE 5C ANTENNA
MOUNTING DETAIL @ ALPHA & BETA** (1)
SCALE: N.T.S

PROPOSED LTE 5C ANTENNA
(TYP. OF 1 PER SECTOR,
TOTAL OF 3) INSTALLED ON
EXISTING MOUNTING PIPE



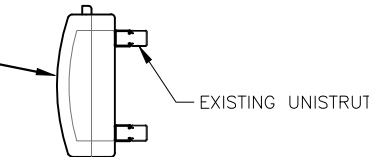
**PROPOSED LTE 5C ANTENNA
MOUNTING DETAIL @ GAMMA** (2)
SCALE: N.T.S

PROPOSED RRH (TYP. OF 1 PER
SECTOR, TOTAL OF 3) INSTALLED
ON EXISTING MOUNTING PIPE



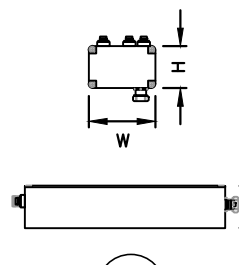
**PROPOSED RRH
MOUNTING DETAIL** (3)
SCALE: N.T.S

PROPOSED RRH (TYP. OF 1 PER
SECTOR, TOTAL OF 3) INSTALLED
ON EXISTING UNISTRUT



**PROPOSED RRH
MOUNTING DETAIL** (4)
SCALE: N.T.S

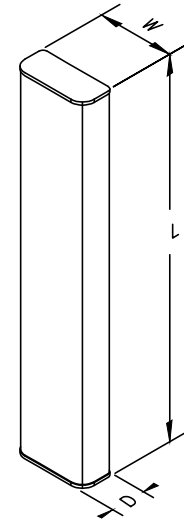
TRIPLEXERS DIMENSIONS	
MODEL #	TPX-070821
MANUF.	CCI
HEIGHT	5.83"
WIDTH	9.65"
DEPTH	2.05"
WEIGHT	7.5 LBS



PROPOSED TRIPLEXERS (5)
SCALE: N.T.S

NOTES:

1. REFER TO RF CONFIG &
SECTOR SCHEMATICS FOR
MODEL, TYPE & QUANTITY
REQUIRED PER SECTOR



PROPOSED/
EXISTING
ANTENNA

NOTE:

REFER TO STRUCTURAL ANALYSIS
BY: HUDSON DESIGN GROUP, LLC,
DATED: FEBRUARY 12, 2016,
FOR THE CAPACITY OF THE
EXISTING STRUCTURES TO SUPPORT
THE PROPOSED EQUIPMENT.

NOTE:

REFER TO THE FINAL RF DATA
SHEET FOR FINAL ANTENNA
SETTINGS.

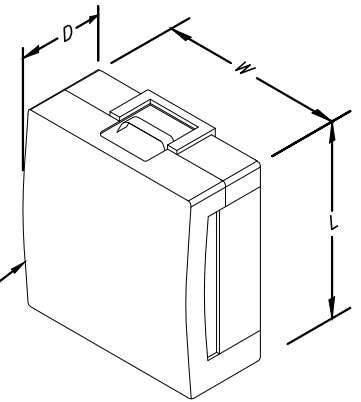
TECHNOLOGY	POSITION	ANTENNA MODEL	L	W	D
UMTS DB	1 (ALPHA)	7750	57.0"	11.0"	5.0"
LTE 850 / AWS	2 (ALPHA)	HPA-65R-BUU-H6	72.0"	14.8"	9.0"
LTE 700	3 (ALPHA)	AM-X-CD-16-65-00T-RET	72.0"	11.8"	5.9"
LTE WCS/GSM 850	4 (ALPHA)	QS66512-3	72.0"	12.0"	9.6"
UMTS DB	1 (BETA)	7750	57.0"	11.0"	5.0"
LTE 850 / AWS	2 (BETA)	SBNHH-1D65A	55.0"	11.9"	7.1"
LTE 700	3 (BETA)	AM-X-CD-14-65-00T-RET	48.0"	11.8"	5.9"
LTE WCS/GSM 850	4 (BETA)	QS66512-3	72.0"	12.0"	9.6"
UMTS DB	1 (GAMMA)	7750	57.0"	11.0"	5.0"
LTE 850 / AWS	2 (GAMMA)	HPA-65R-BUU-H6	72.0"	14.8"	9.0"
LTE WCS/GSM 850	3 (GAMMA)	QS66512-3	72.0"	12.0"	9.6"
LTE 700	4 (GAMMA)	AM-X-CD-16-65-00T-RET	72.0"	11.8"	5.9"

ANTENNA DETAIL (6)
SCALE: N.T.S

NOTE:

SEE RFDS FOR RRH
FREQUENCY AND
MODEL NUMBER

PROPOSED RRH
REFER TO THE FINAL RFDS
AND CHART FOR QUANTITY,
MODEL AND DIMENSIONS



NOTE:
MOUNT PER MANUFACTURER'S
SPECIFICATIONS

	L	W	D
RRUS - 32	26.7"	12.1"	6.7"

RRH DETAIL (7)
SCALE: N.T.S



1600 OSGOOD STREET
BUILDING 20 NORTH, SUITE 309D
N. ANDOVER, MA 01845
TEL: (978) 557-5553
FAX: (978) 336-5586

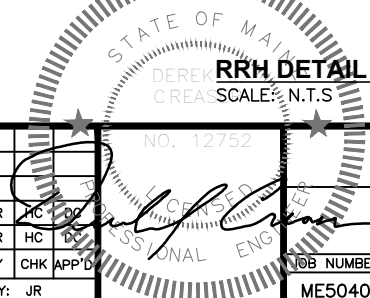
EMPIRE telecom
16 ESQUIRE ROAD
BILLERICA, MA 01862
TEL: (978) 608-8400

SITE NUMBER: ME5040
SITE NAME: MUNJOY HILL
211 CUMBERLAND AVENUE
PORTLAND, ME 04101
CUMBERLAND COUNTY

at&t
550 COCHITUATE ROAD
FRAMINGHAM, MA 01701

NO.	DATE	REVISIONS	BY	CHK	APP'D
1	03/08/16	ISSUED FOR CONSTRUCTION	JR	HC	
0	02/01/16	ISSUED FOR REVIEW	JR	HC	

SCALE: AS SHOWN DESIGNED BY: HC DRAWN BY: JR



AT&T

DETAILS
(LTE 5C 2016)

JOB NUMBER	DRAWING NUMBER	REV
ME5040	A-4	1