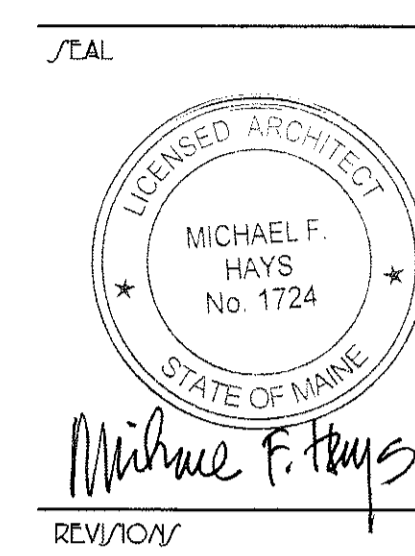


**GRANT HAYS ASSOCIATES**  
 ARCHITECTURE & INTERIOR DESIGN  
 P.O. BOX 6179 FALMOUTH MAINE 04103  
 207.871.5900 www.granthays.com

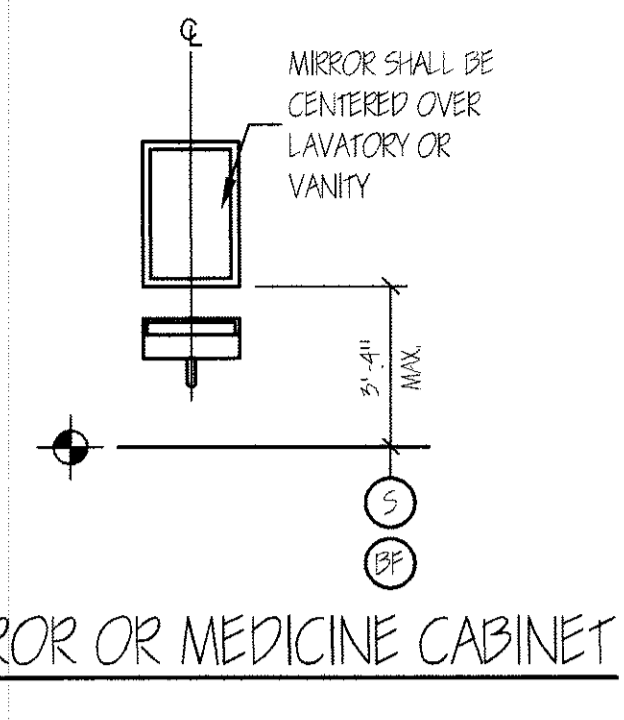


**6 UNIT APARTMENT/COMMERCIAL**  
**223 CUMBERLAND AVENUE**  
 223 CUMBERLAND AVENUE LLC.  
 477 CONGRESS STREET  
 PORTLAND, MAINE 04101

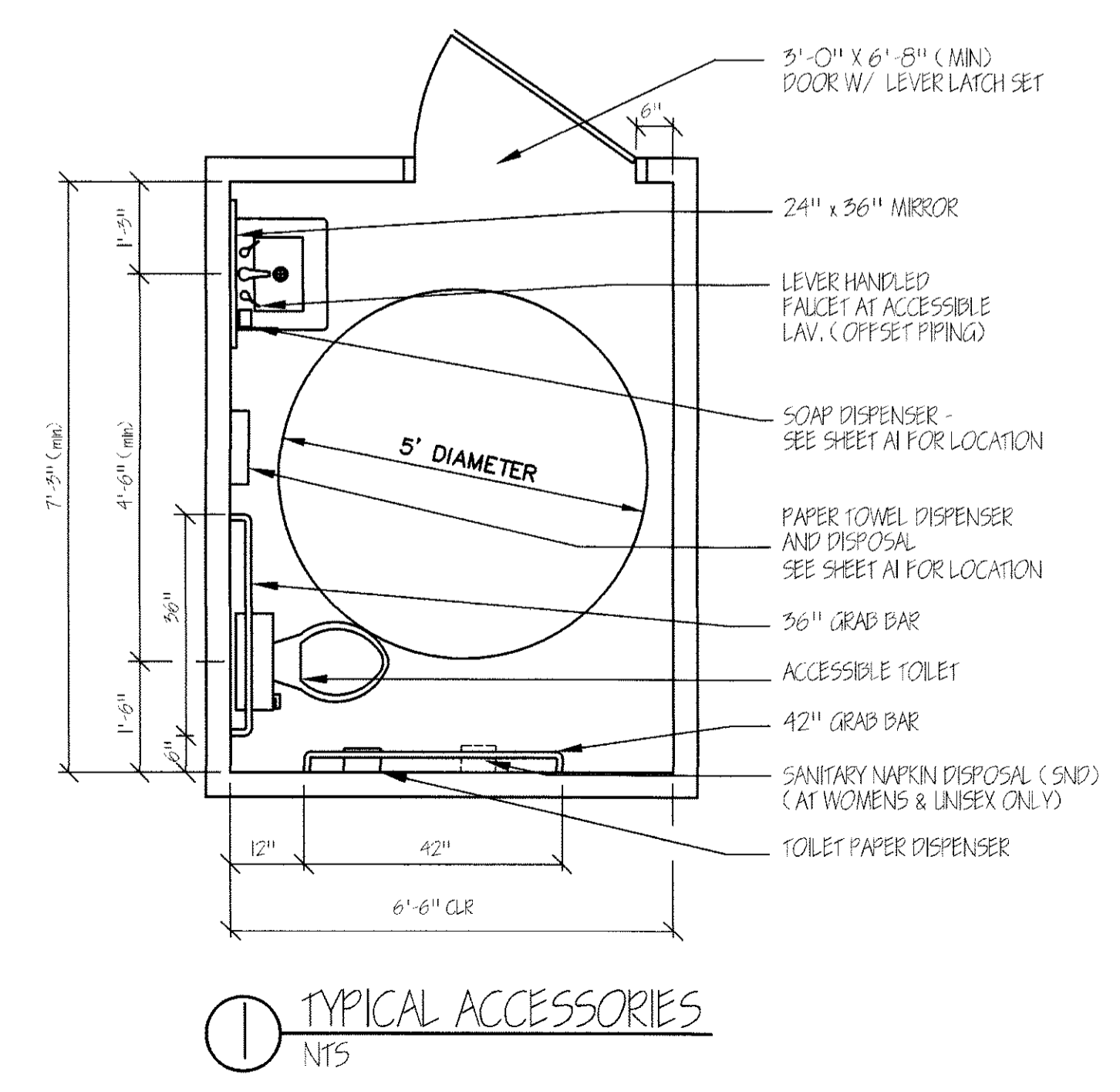
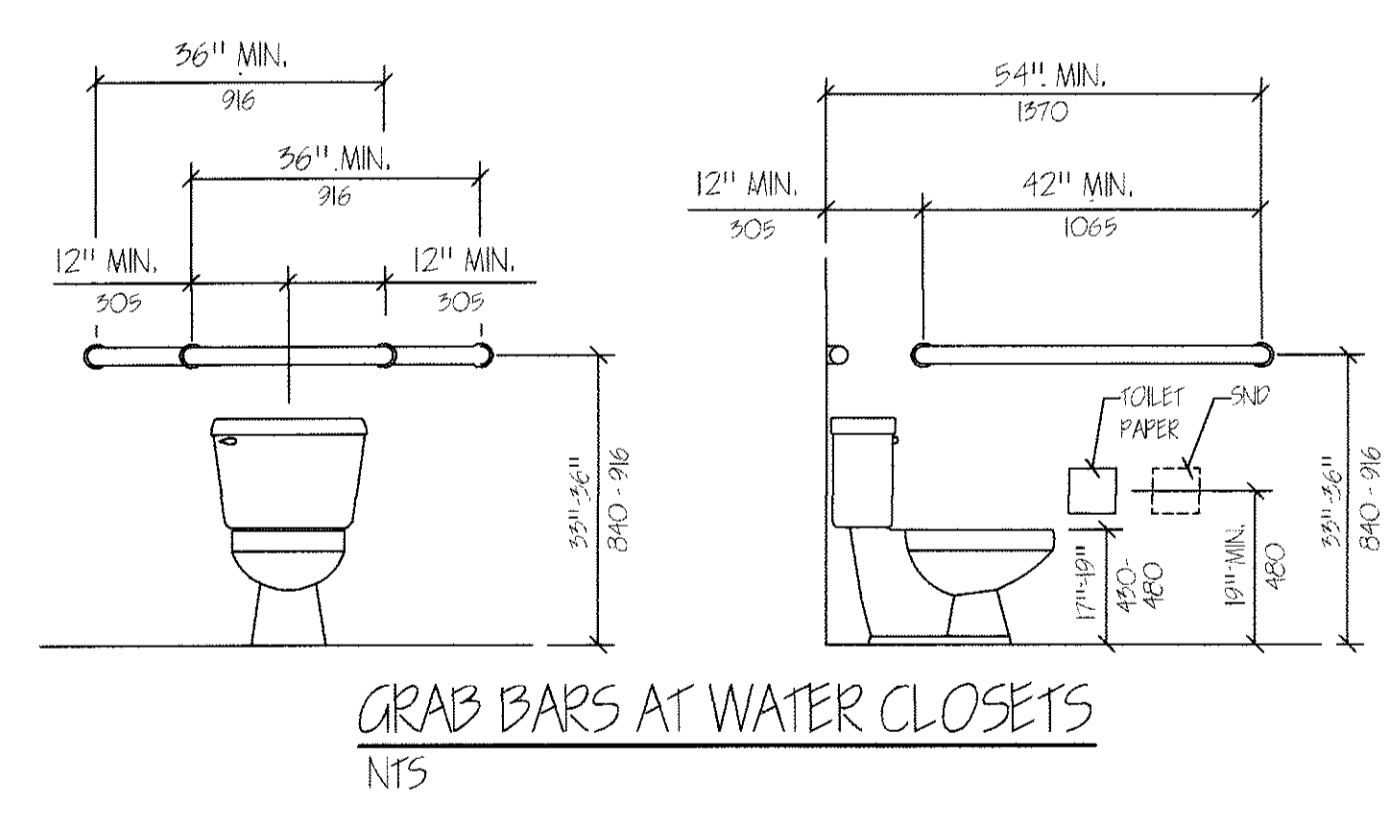
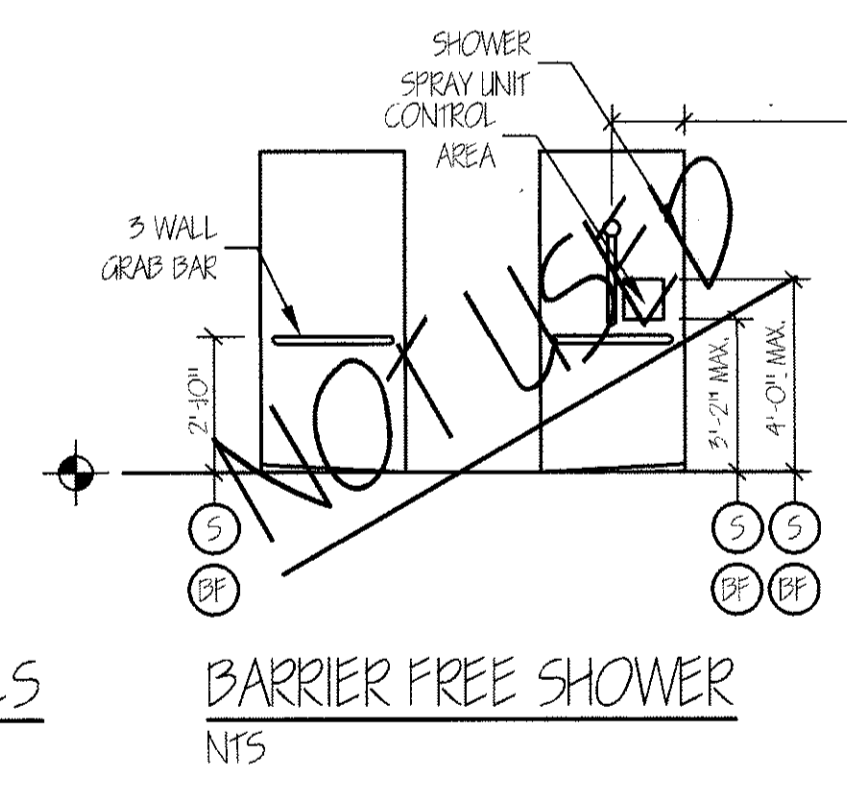
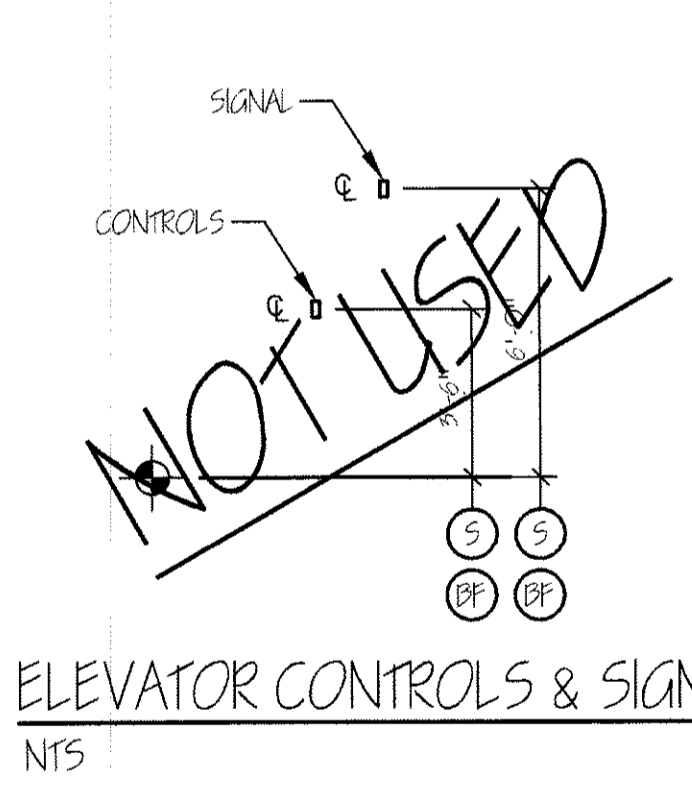
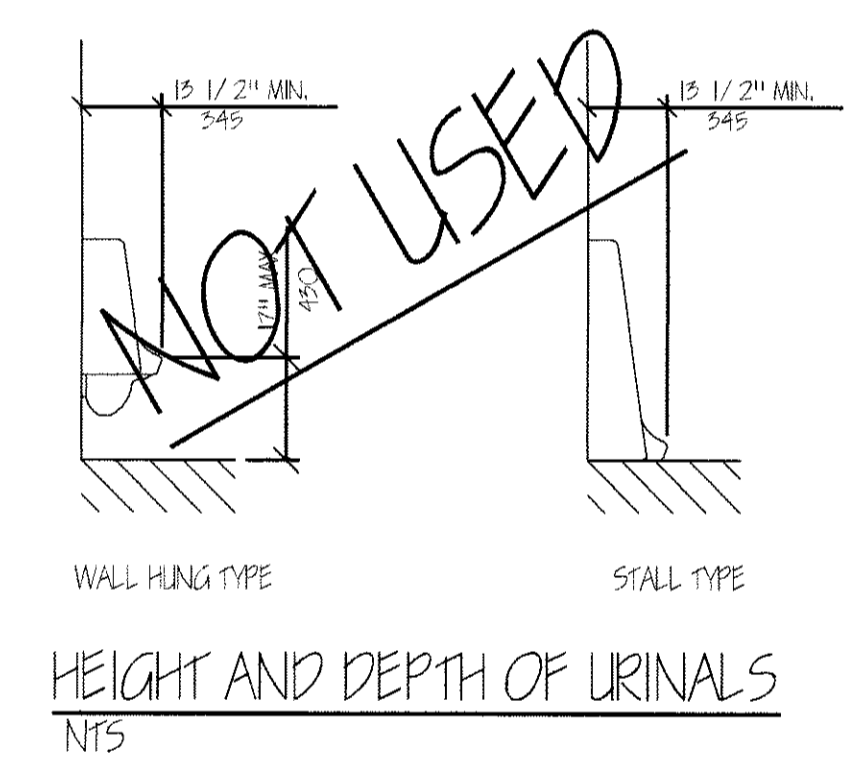
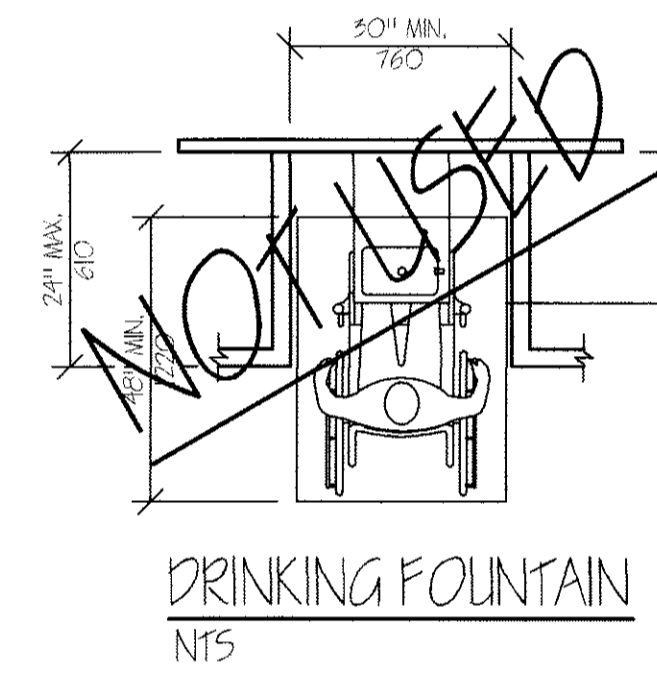
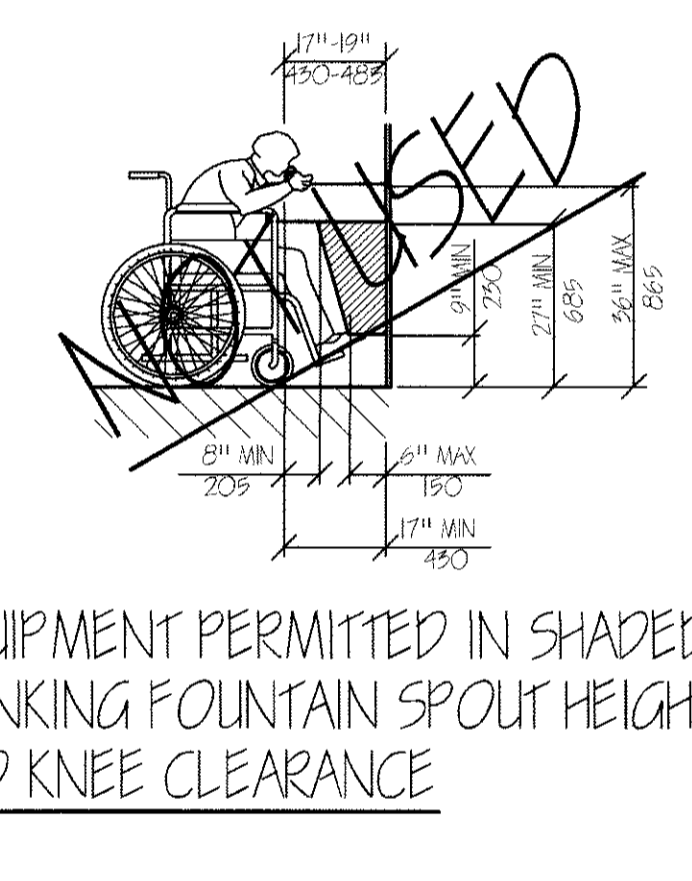
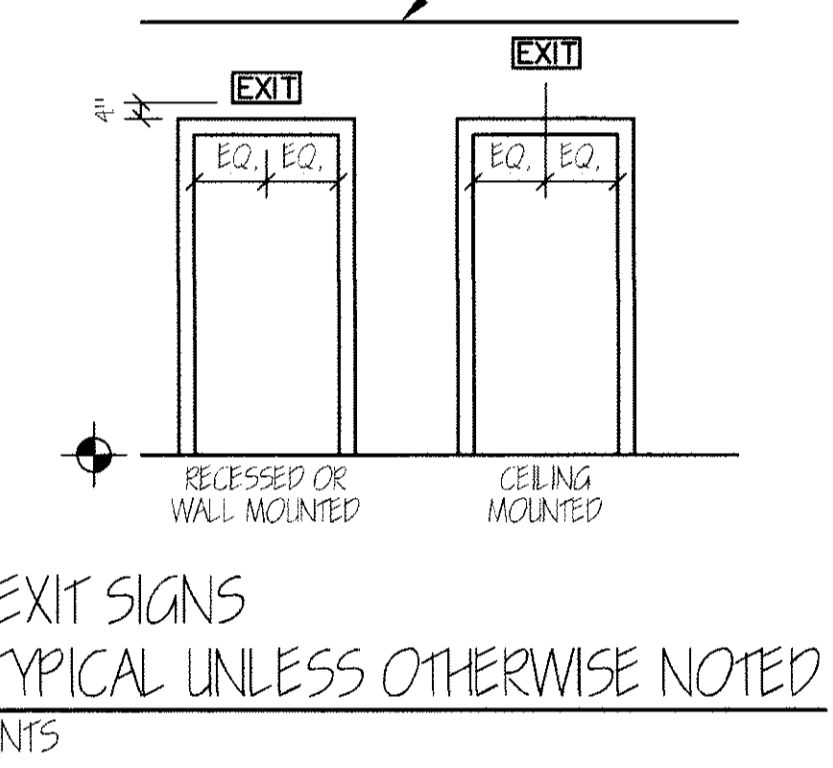
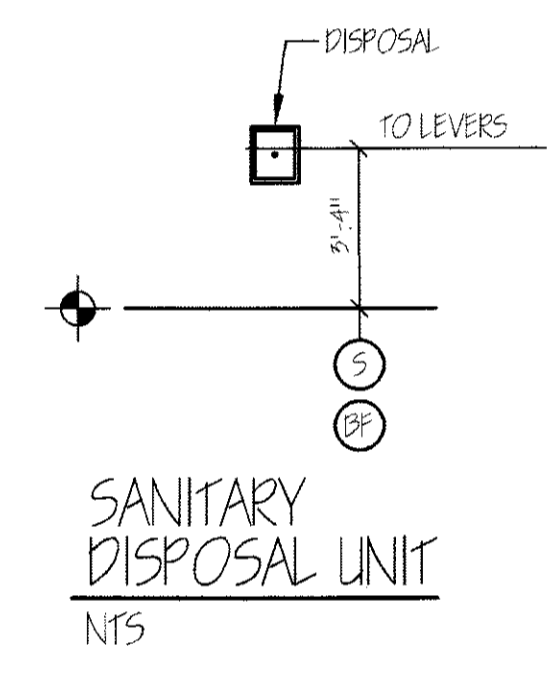
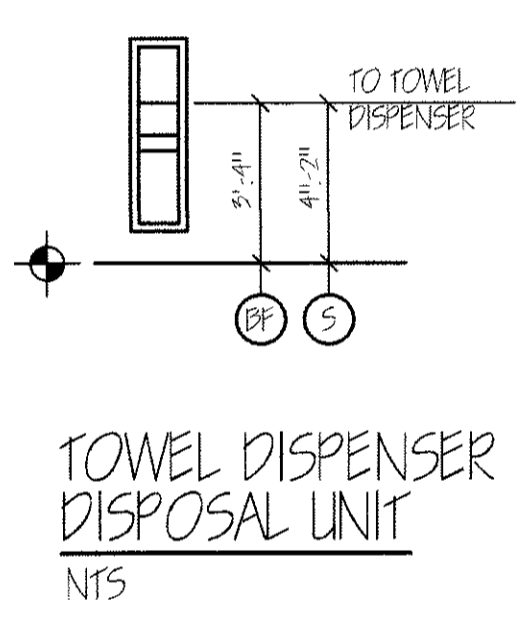
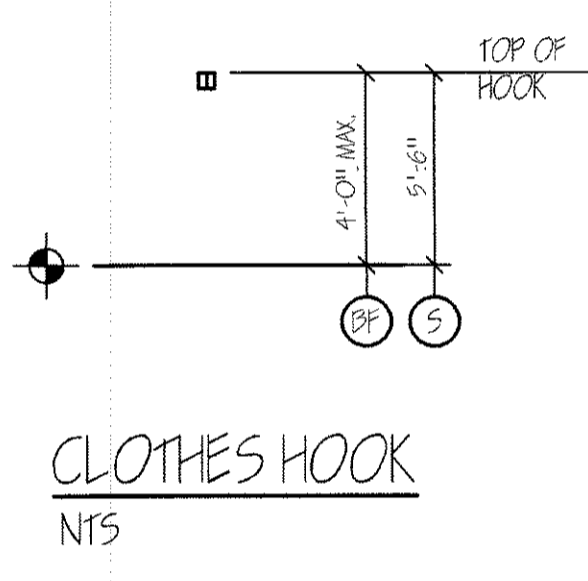
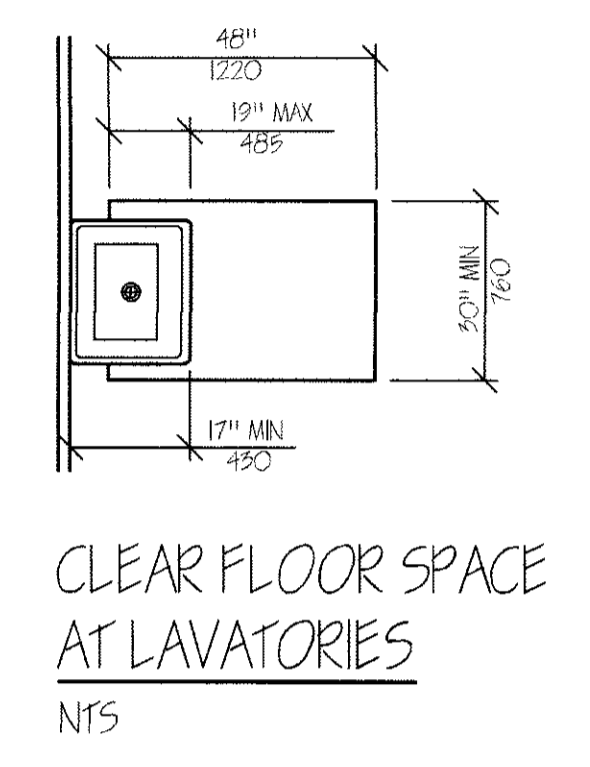
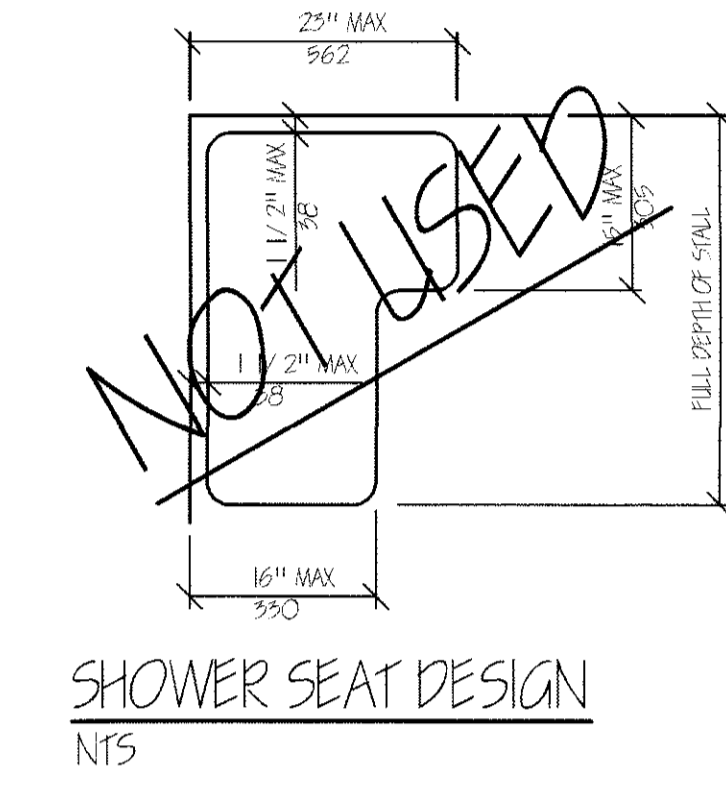
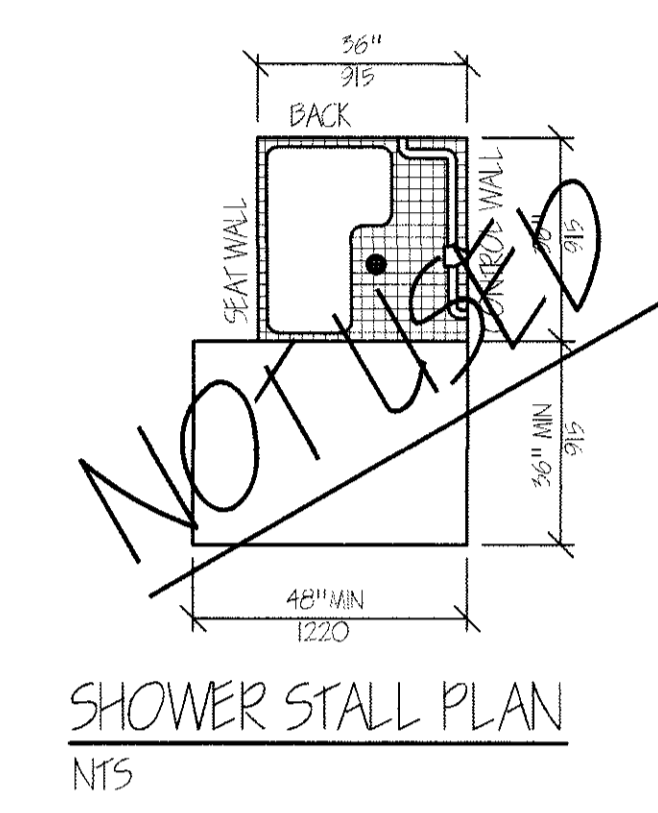
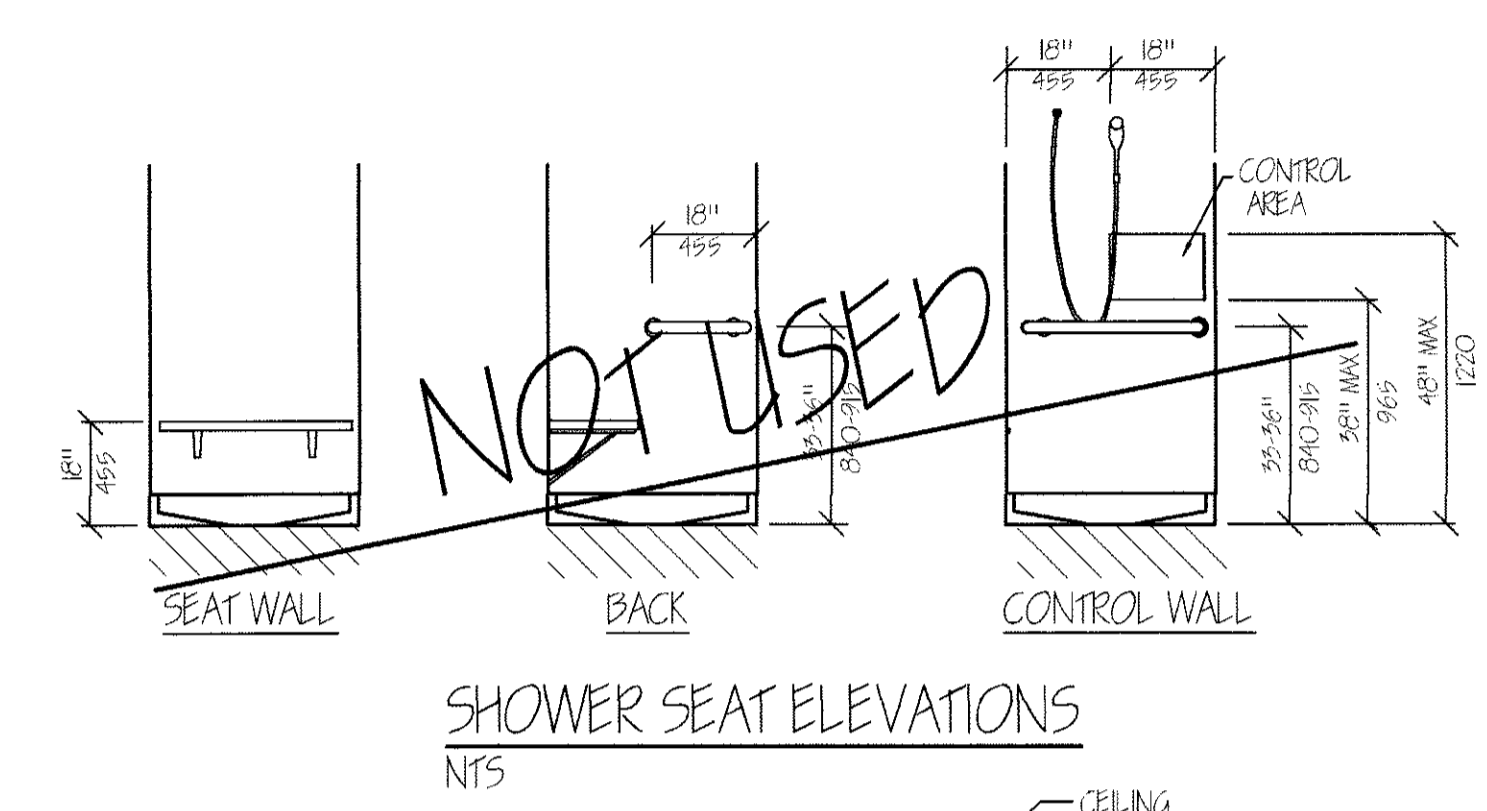
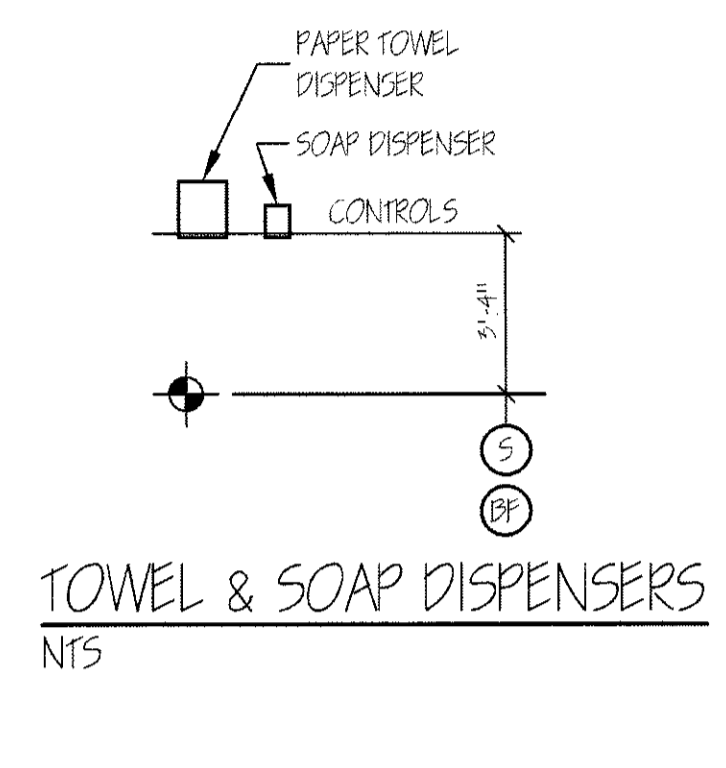
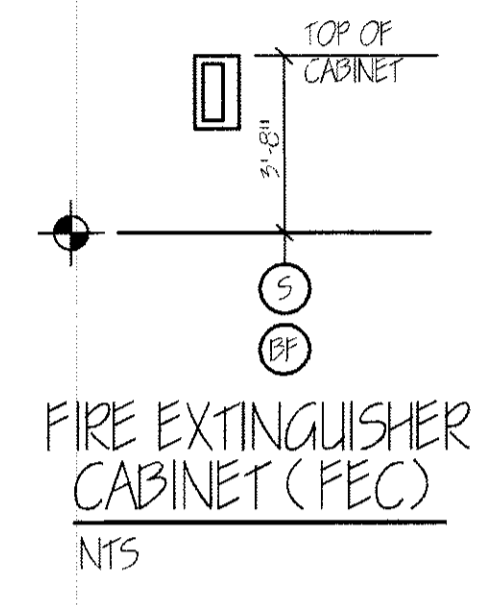
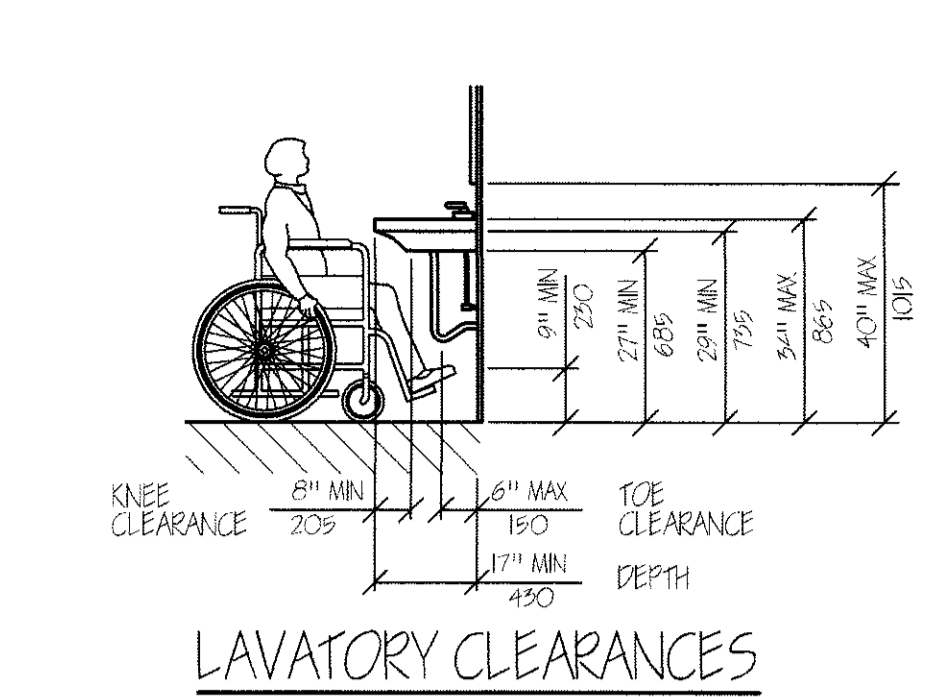
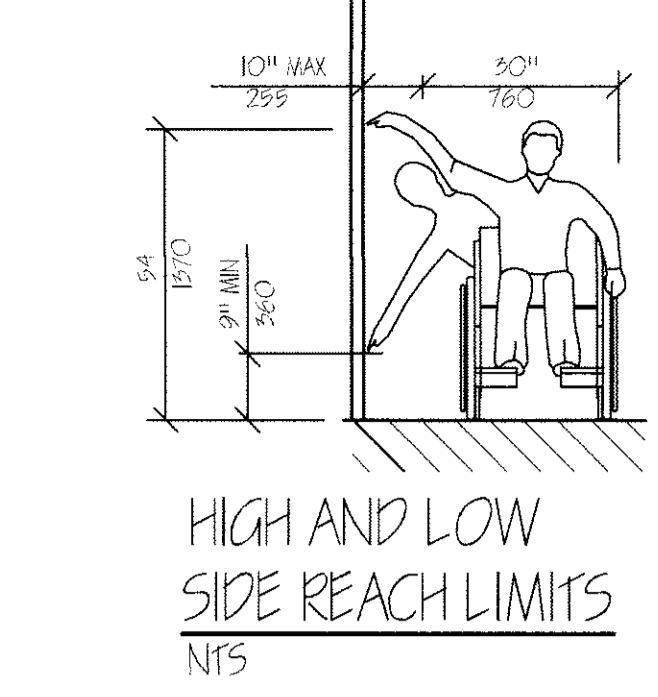
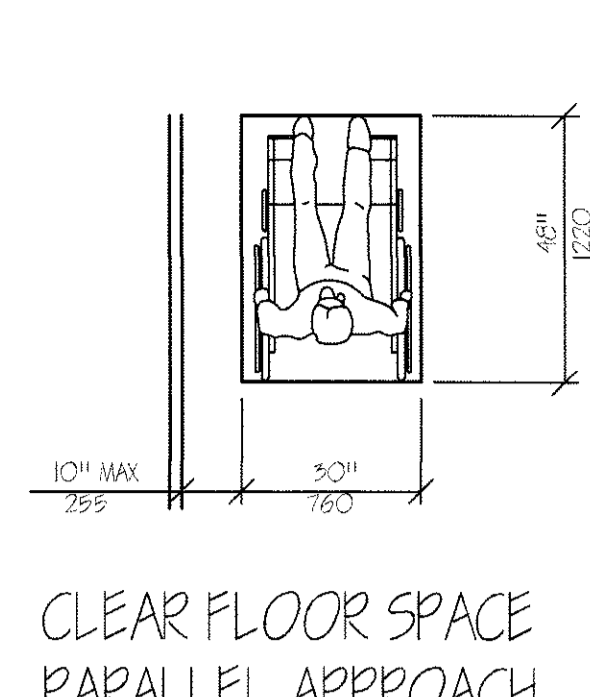
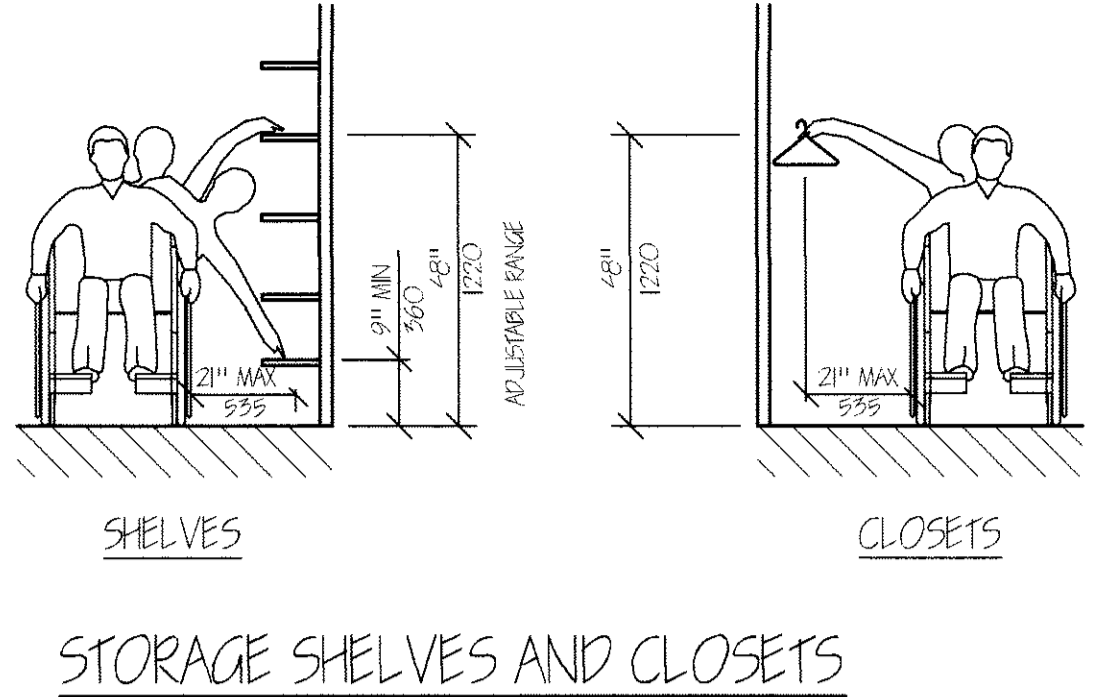
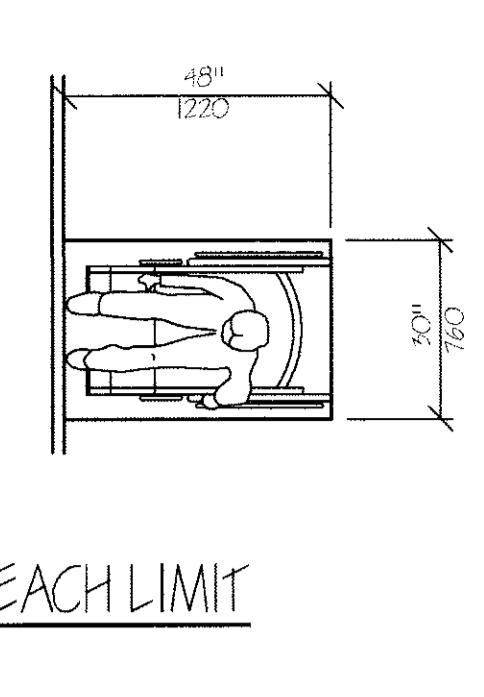
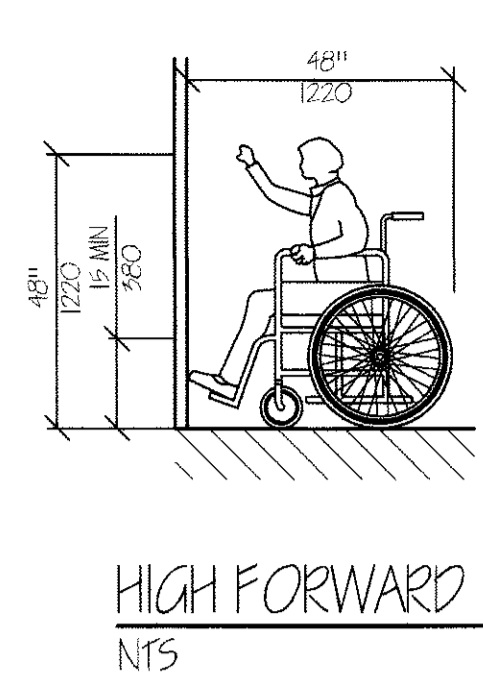
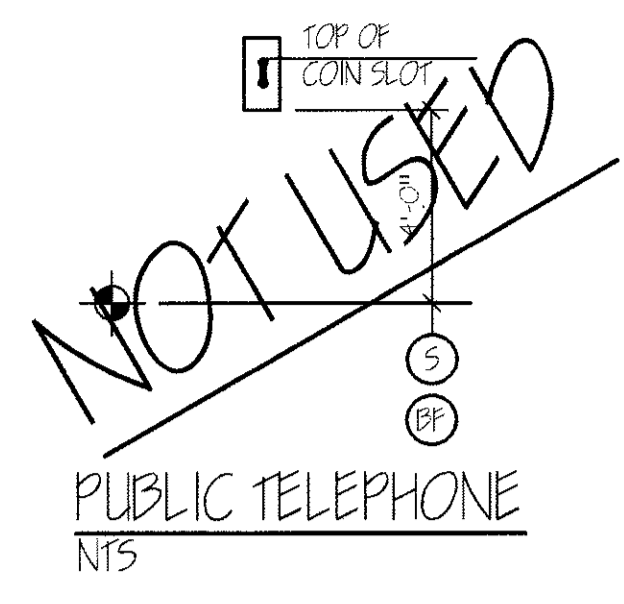
ACCESSIBILITY  
 DETAILS & NOTES

DATE: 29 SEPT 2015  
 SCALE: 1/4" = 1'-0"  
 DRAWN: JAM/MFH  
 JOB NO: 150904

A6  
 COPYRIGHT REPRODUCTION OR REVUE OF THIS DOCUMENT WITHOUT WRITTEN PERMISSION FROM GRANT HAYS ASSOCIATES IS PROHIBITED.



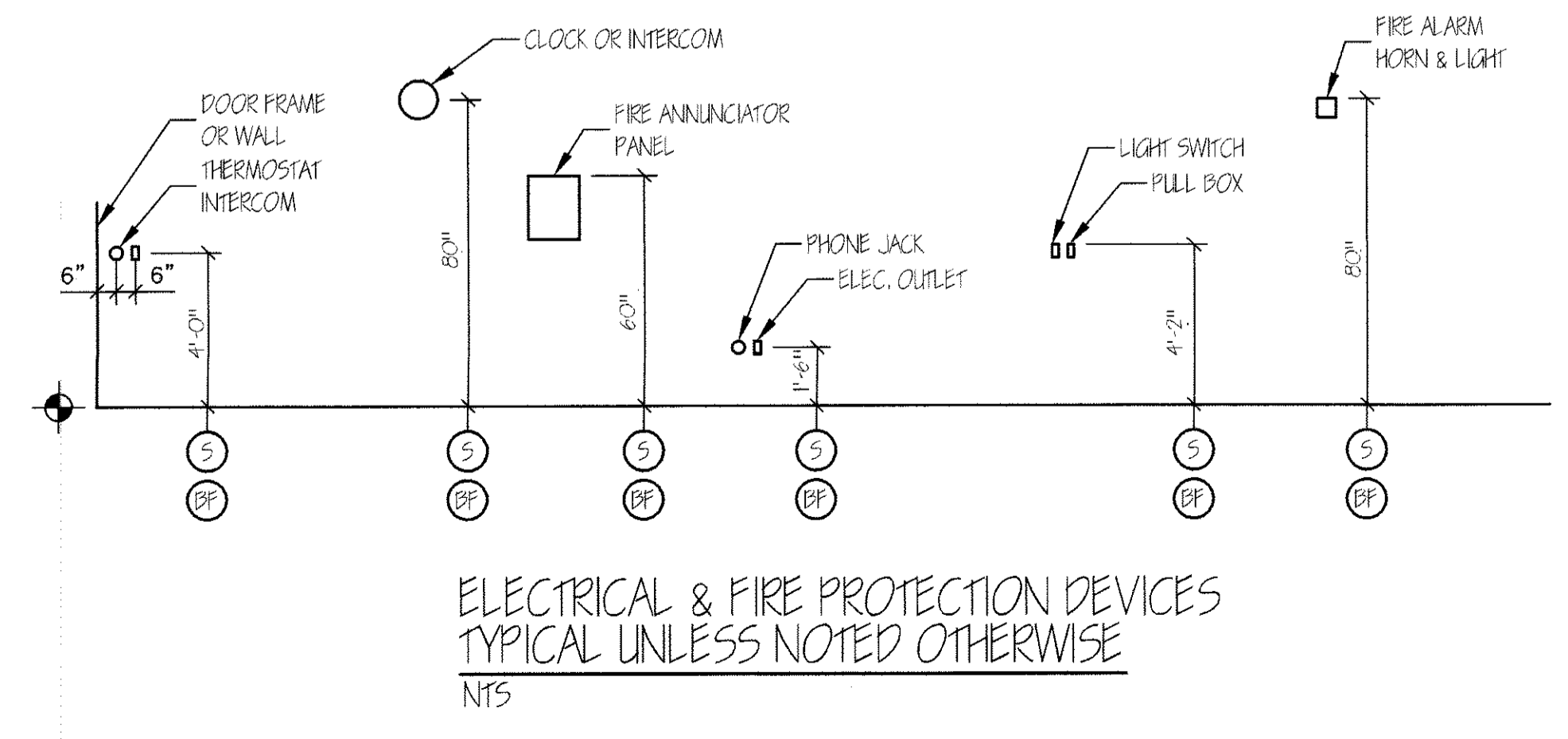
MIRROR OR MEDICINE CABINET  
 NTS



ACCESSIBILITY ACCESSORY MOUNTING HEIGHTS	
GRAB BARS	33" - 36"
TOILET PAPER HOLDER	19" MIN
TOWEL BAR / PAPER TOWEL DISPENSER	48" MAX
BUILT IN PAPER TOWEL DISPENSER	48" MAX
SOAP DISPENSER AT WALL	48" MAX
SANITARY NAPKIN DISPENSER	48" MAX
SANITARY NAPKIN DISPOSAL	40" MAX
MIRROR (BOTTOM)	48" MAX
SHelves / STORAGE	48" MAX
ELECTRICAL SWITCHES / OUTLETS	48" MAX
COAT HOOKS / ROOFS	48" MAX
SIGNAGE (TO BRaille COMPONENT)	60" MAX

ACCESSIBILITY GENERAL NOTES

- DOORWAYS SHALL HAVE A MINIMUM CLEAR WIDTH OF 32" WITH THE DOOR OPEN 90 DEGREES, MEASURED BETWEEN THE FACE OF THE DOOR AND THE OPPOSITE STOP.
- ALL DOORS SHALL HAVE LEVER HANDLE HARDWARE, EXCEPT AT SECURED STORAGE ROOMS, MECHANICAL ROOMS, AND ELEVATOR MACHINE ROOMS.
- ALL CLOSERS SHALL BE SLID PULL MAXIMUM AT DOORS EQUIPPED WITH LEVER HANDLE HARDWARE.
- ALL DOORS WITH CLOSERS SHALL HAVE 18" CLEAR DISTANCE FROM THE LATCHSIDE OF THE OPENING TO ANY ADJACENT WALL OR OBSTRUCTION ON THE PUSH SIDE OF THE OPENING.
- ALL DOORS WITH CLOSERS SHALL HAVE 12" CLEAR DISTANCE FROM THE LATCHSIDE OF THE OPENING TO ANY ADJACENT WALL OR OBSTRUCTION ON THE PULL SIDE OF THE OPENING.
- ALL SIGNAGE SHALL BE MOUNTED 60" AFF TO BRaille COMPONENT AT LATCH-SIDE WALL OF DOORS AND OPENINGS.



LEGEND

- ⊙ STANDARD MOUNTING HEIGHT
- ⊙ BARRIER FREE ADULT MOUNTING HEIGHT
- ⦿ FINISH FLOOR LINE

NOTE

MOUNT ALL FIXTURES AT STANDARD MOUNTING HEIGHT UNLESS INDICATED ON PLAN BY A ⊙ SYMBOL. A ⊙ SYMBOL AT ANY ROOM SHALL INCLUDE ONE OF ANY FIXTURE AND ACCESSORY WITHIN THE ROOM.