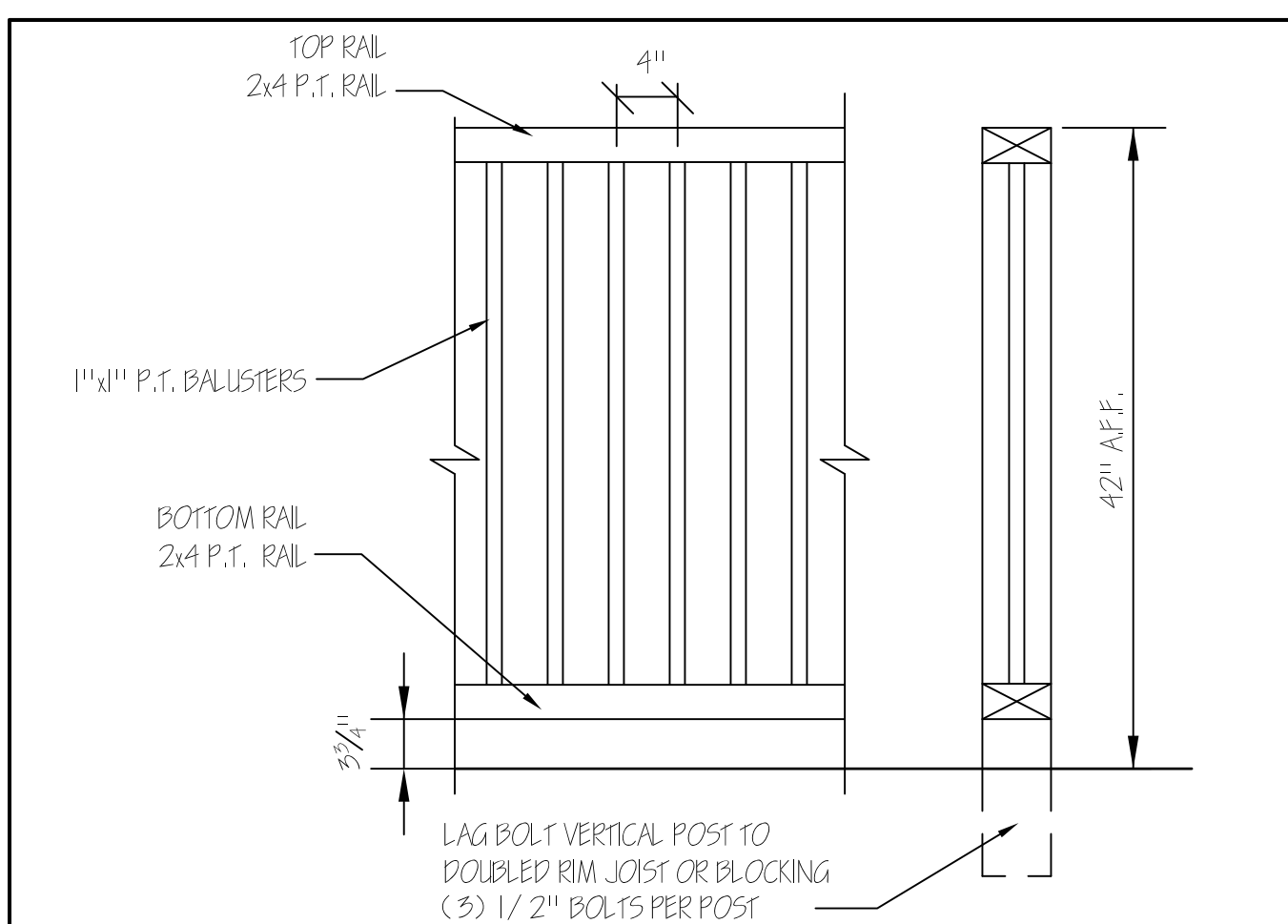
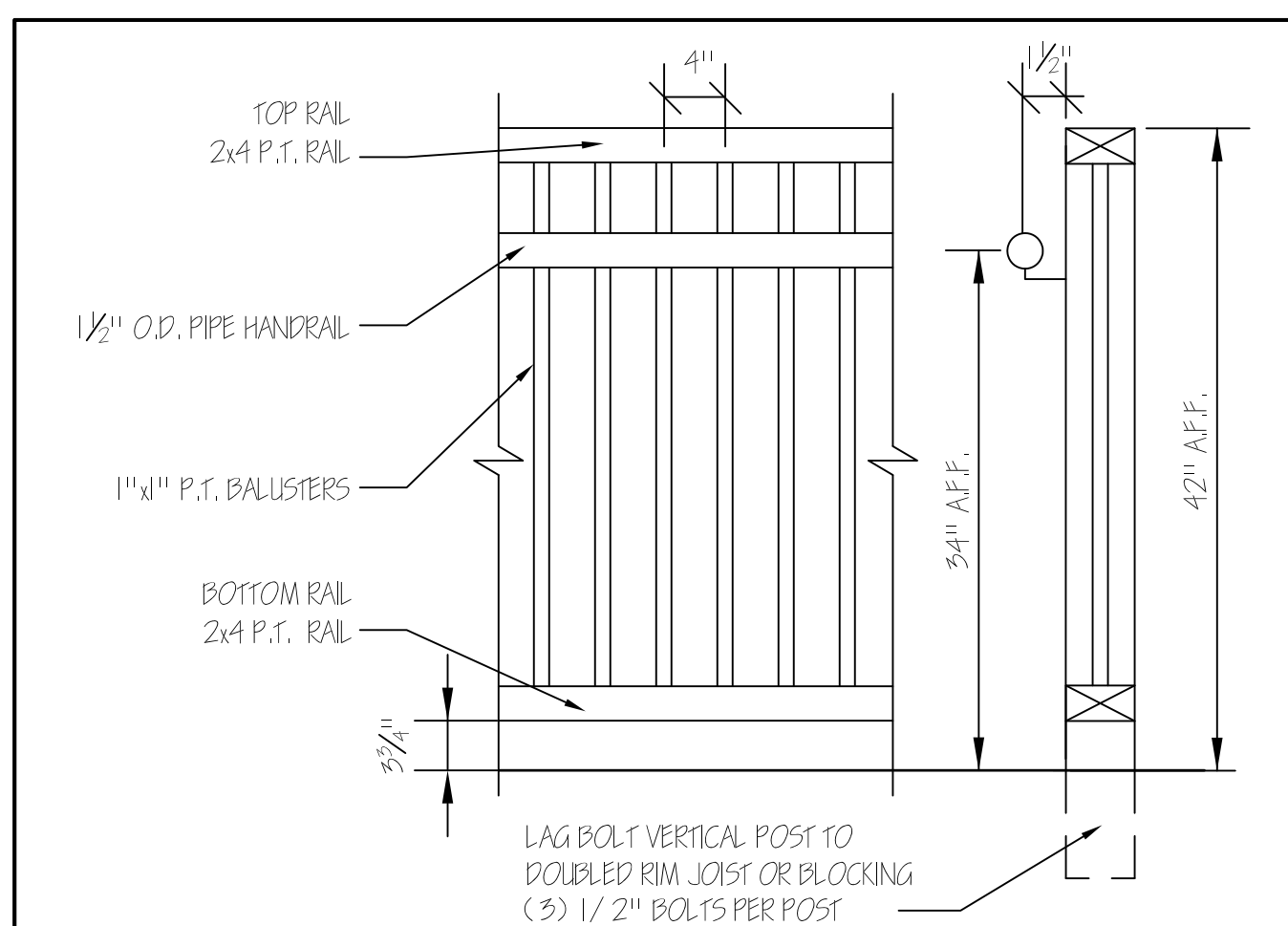


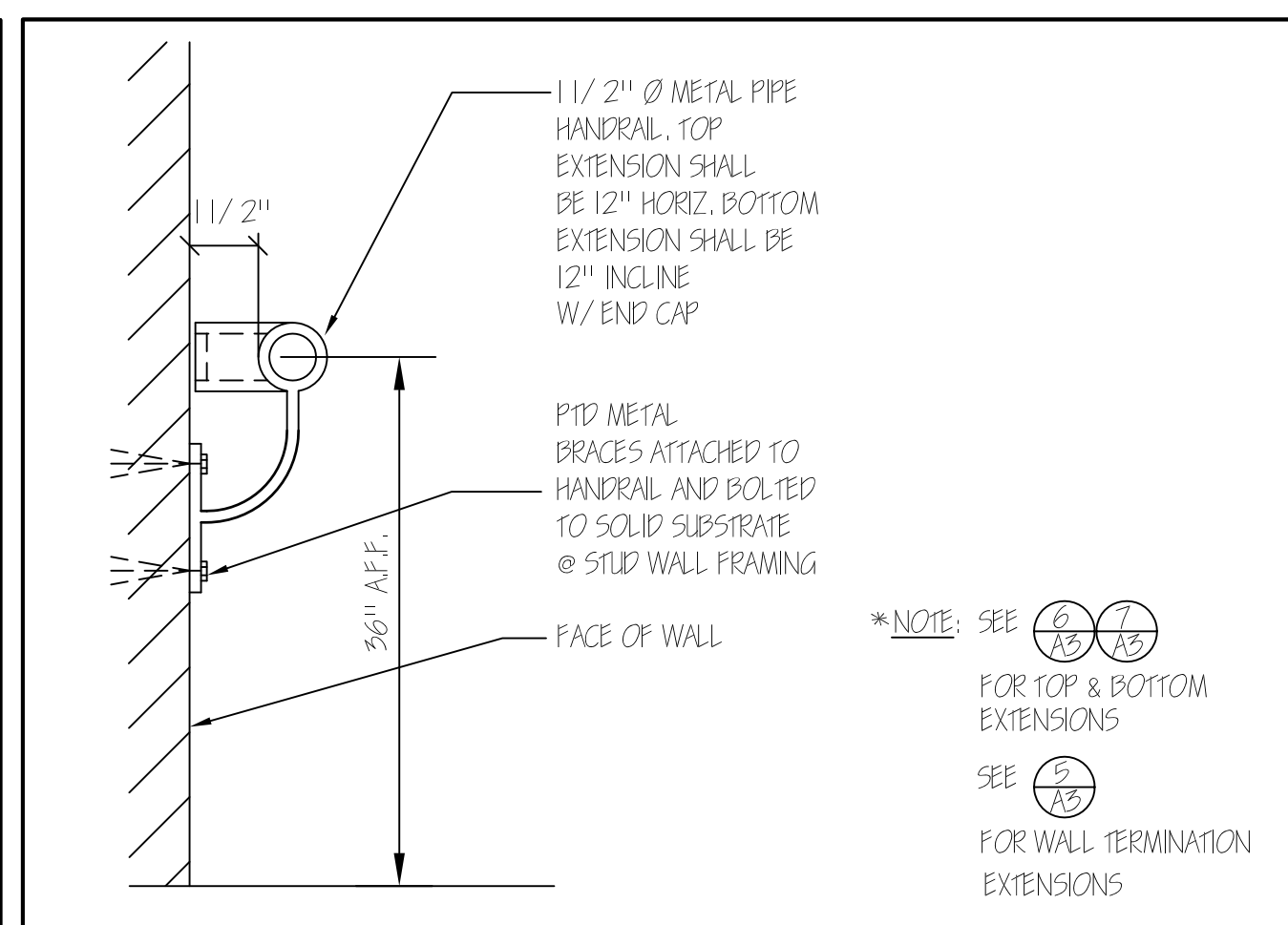
1 TYPICAL EXTERIOR STAIR TREAD / RISER 3/4" = 1'-0"



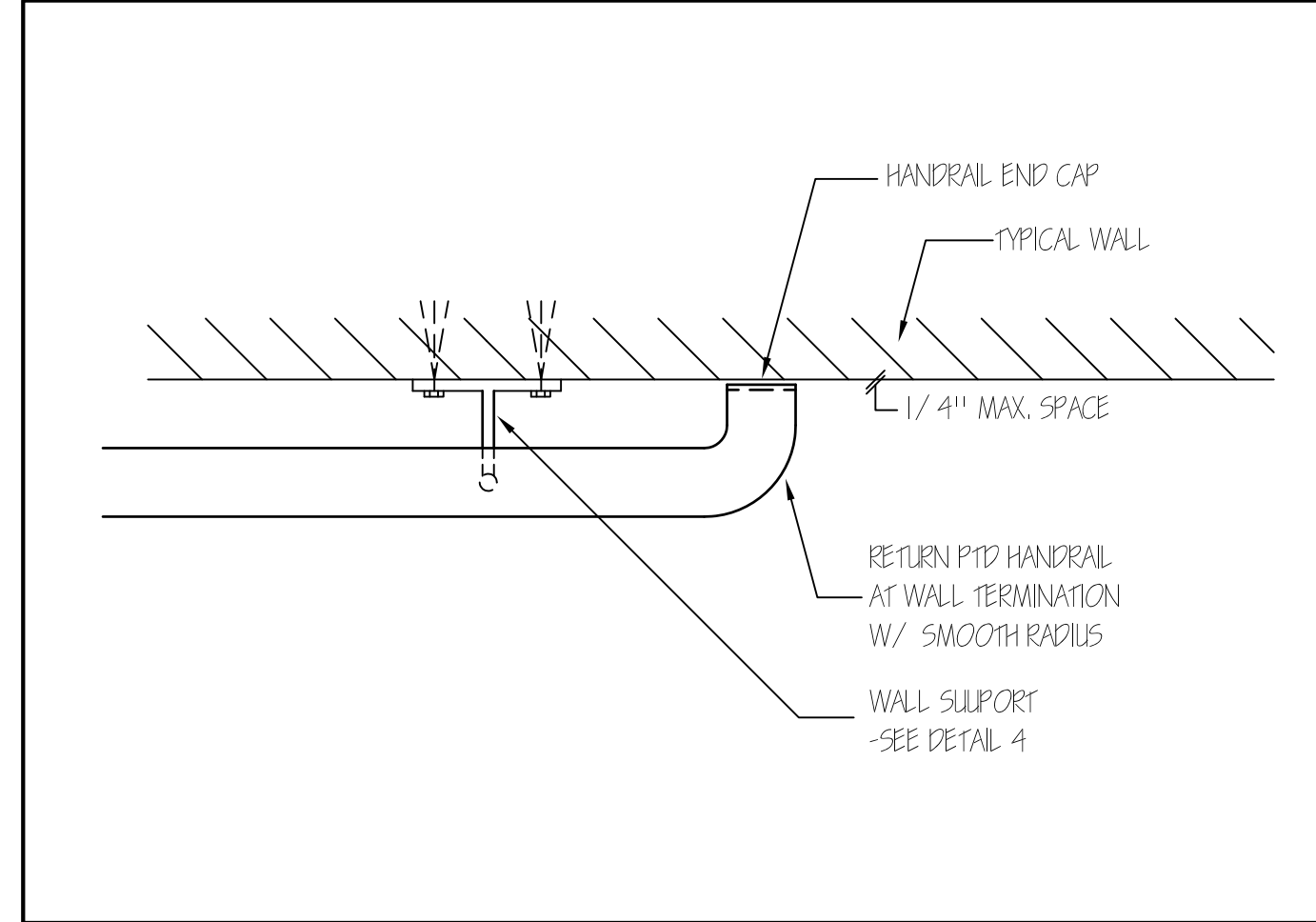
2 TYPICAL EXTERIOR GUARDRAIL 3/4" = 1'-0"



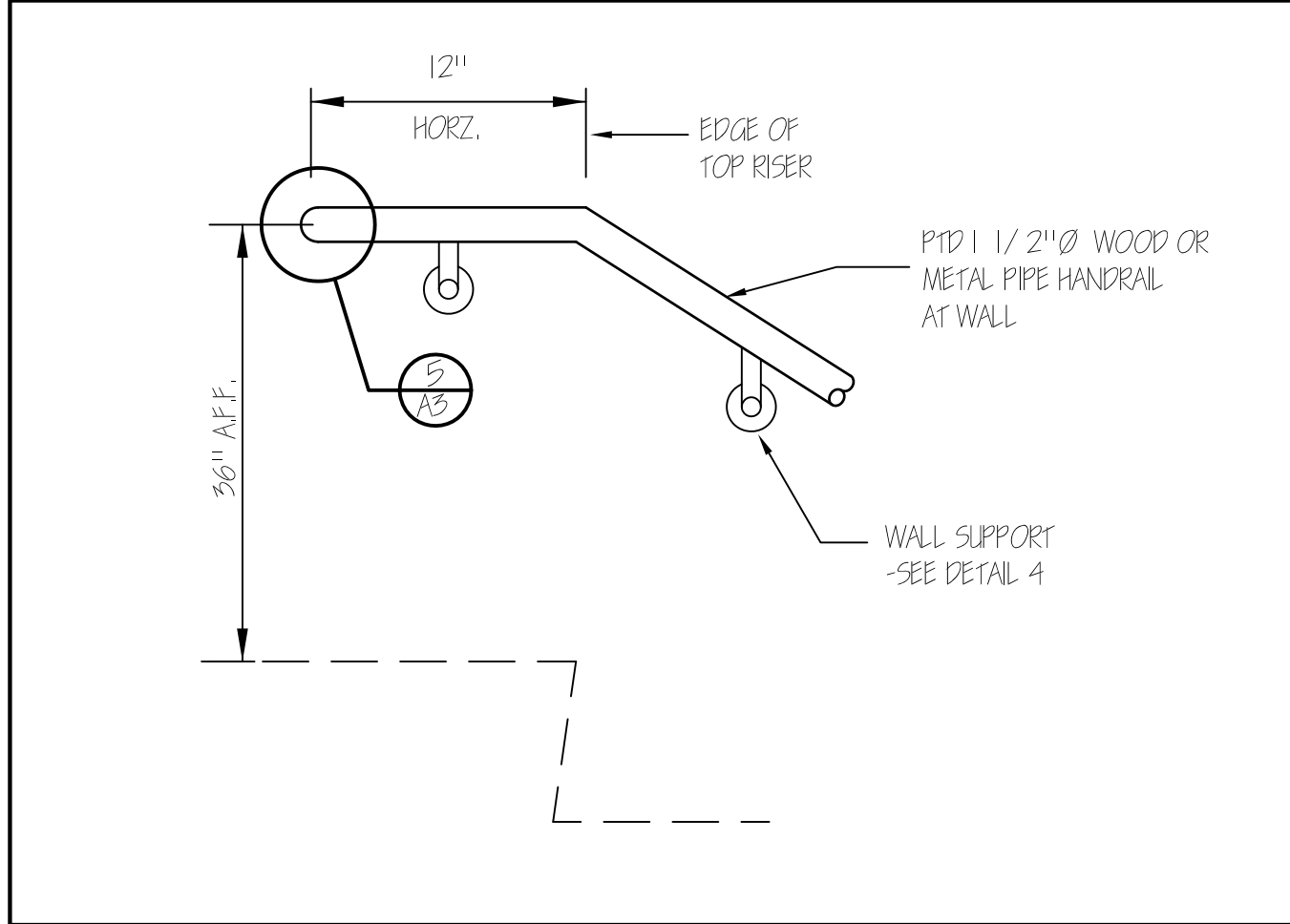
3 TYPICAL EXTERIOR GUARDRAIL / HANDRAIL 3/4" = 1'-0"



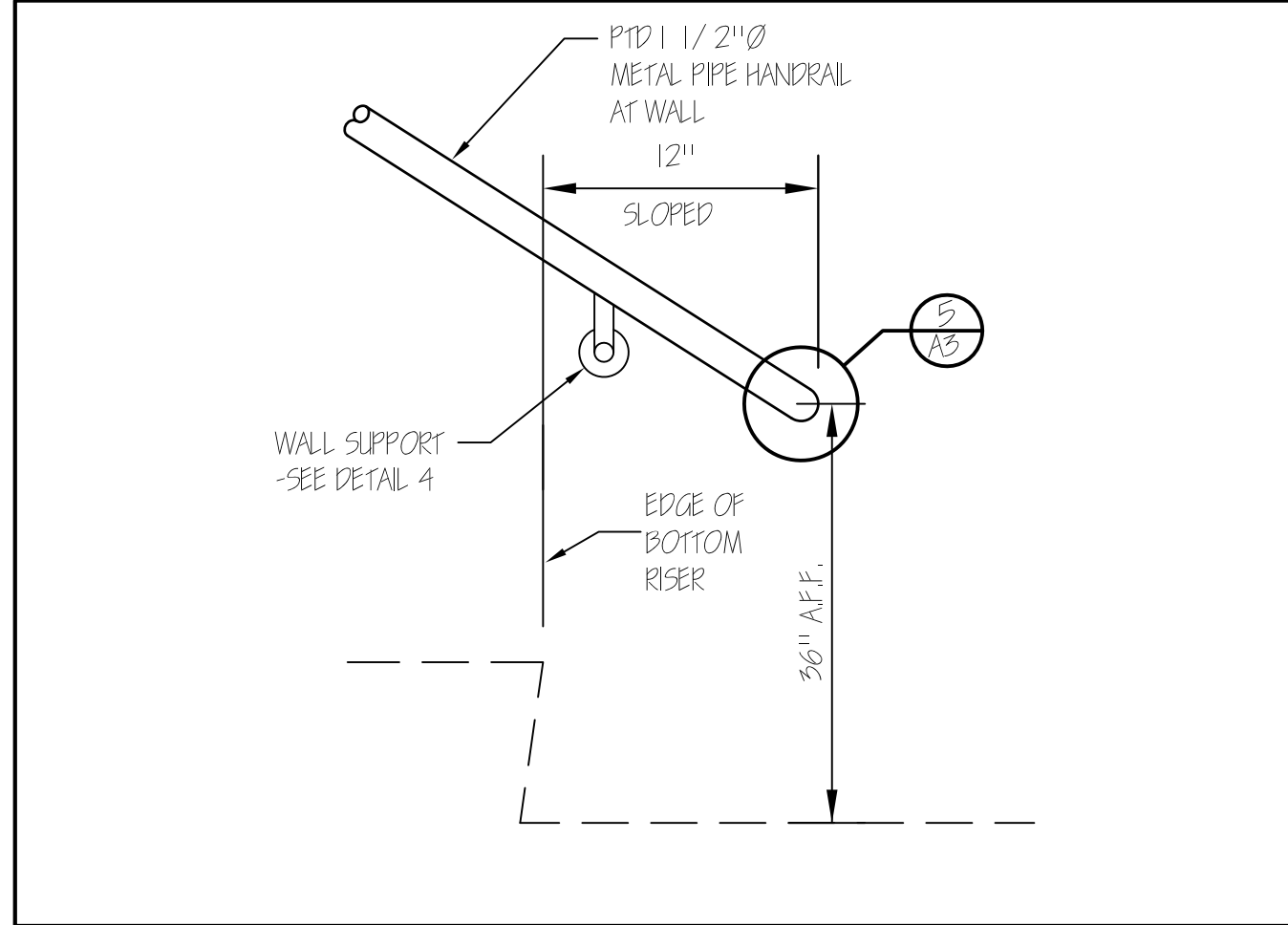
4 TYPICAL HANDRAIL (WALL CONDITION SHOWN) 3/4" = 1'-0"



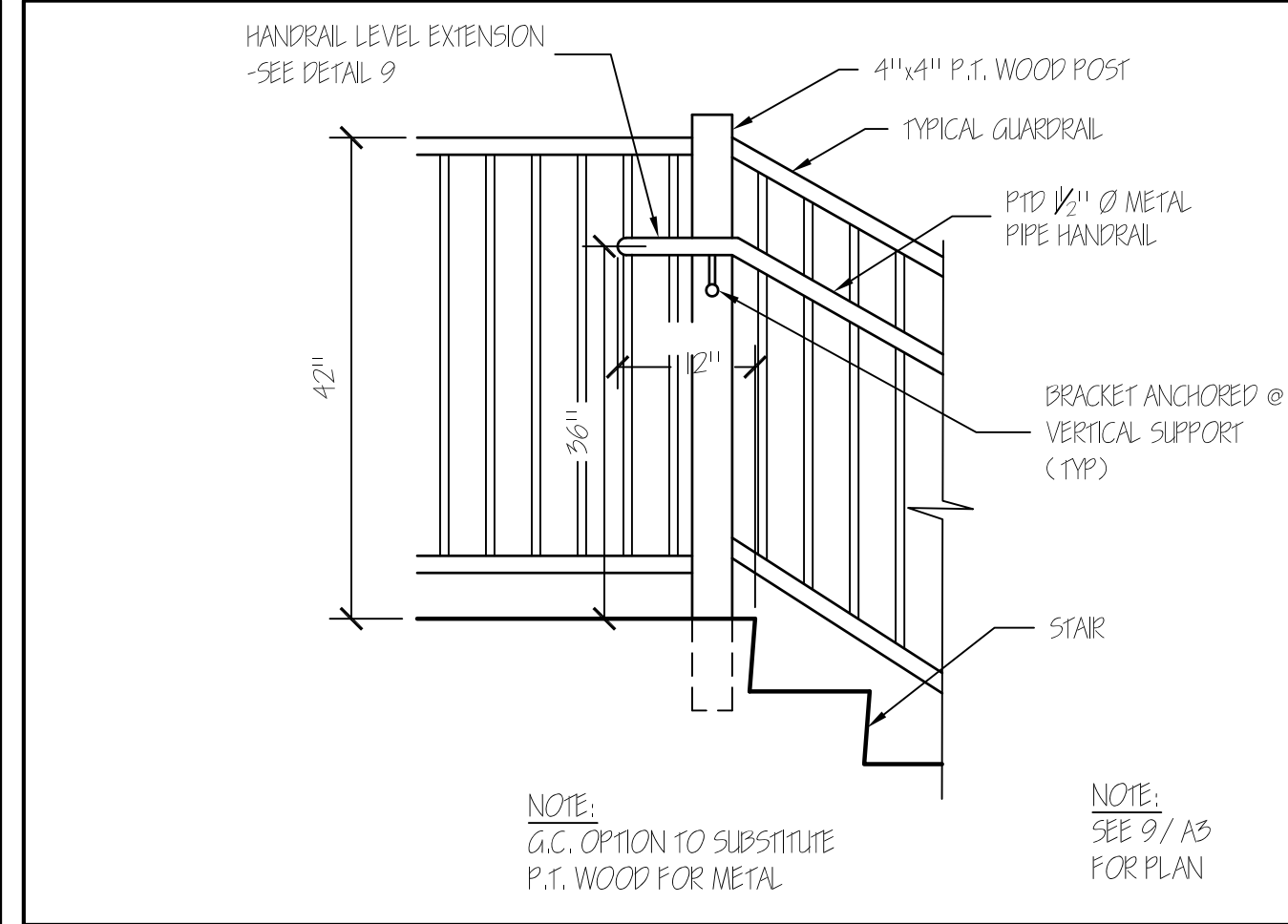
5 PLAN-HANDRAIL TERMINATION AT WALL 3/4" = 1'-0"



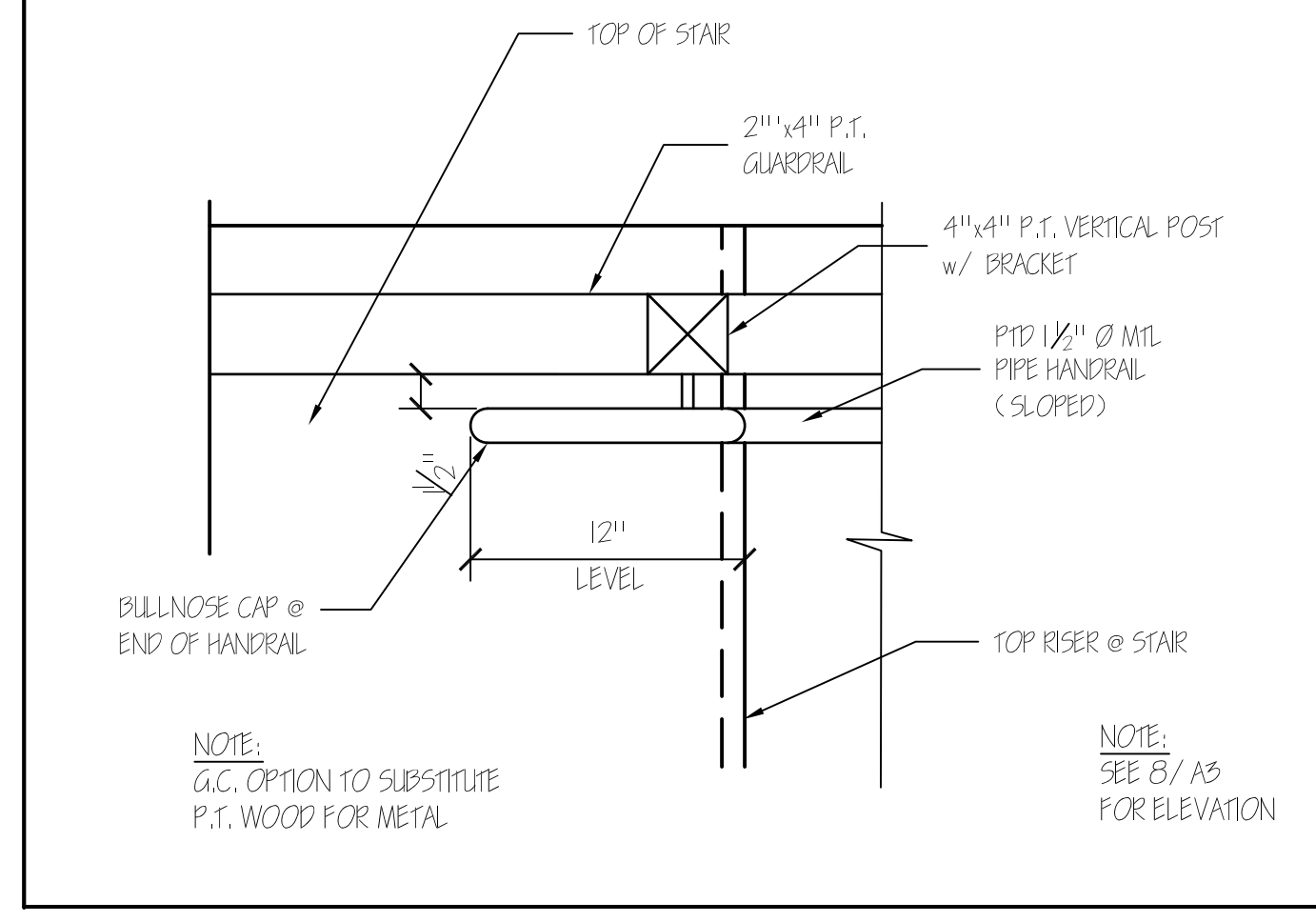
6 WALL HANDRAIL EXTENSION @ TOP 3/4" = 1'-0"



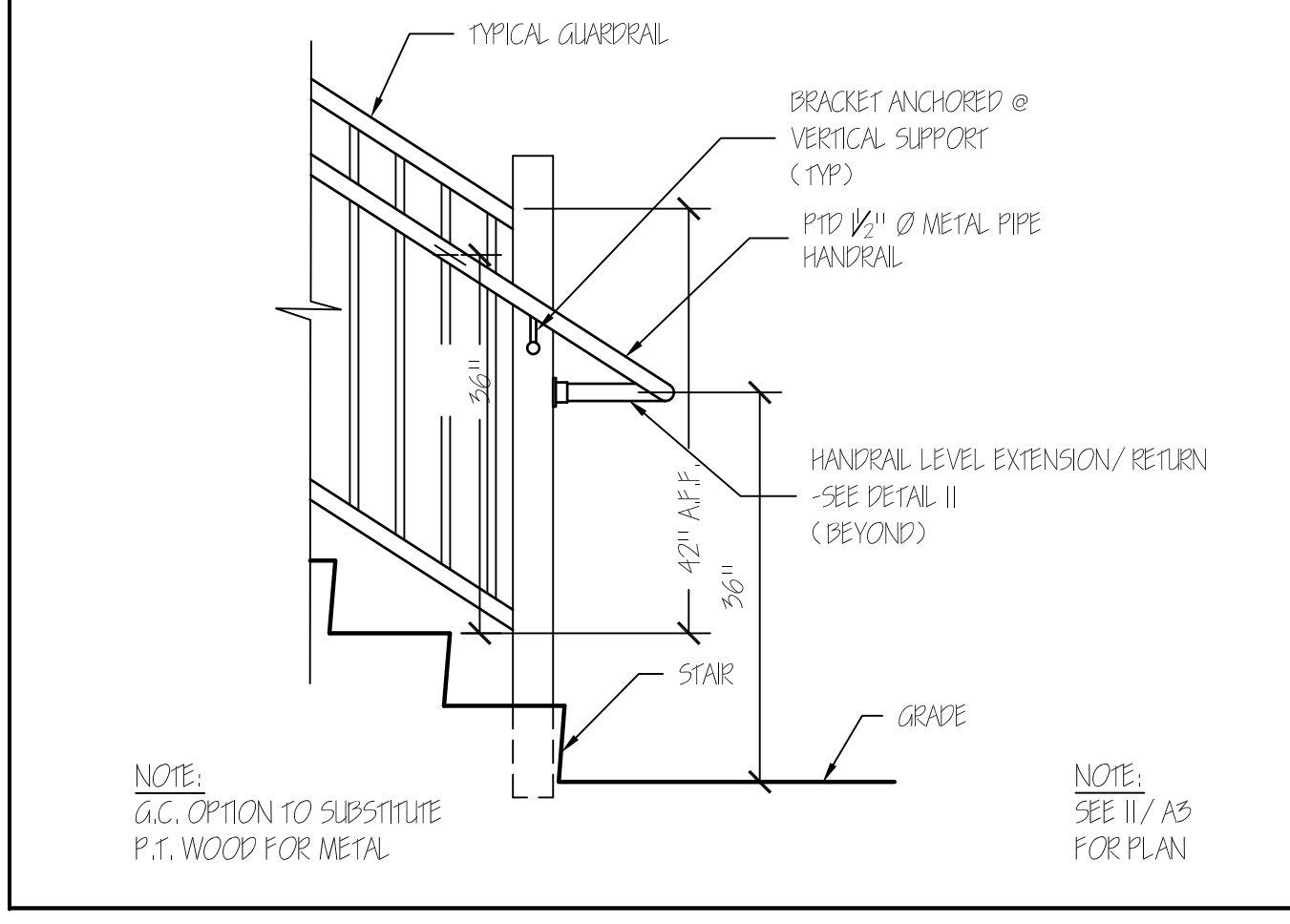
7 WALL HANDRAIL EXTENSION @ BOTTOM 3/4" = 1'-0"



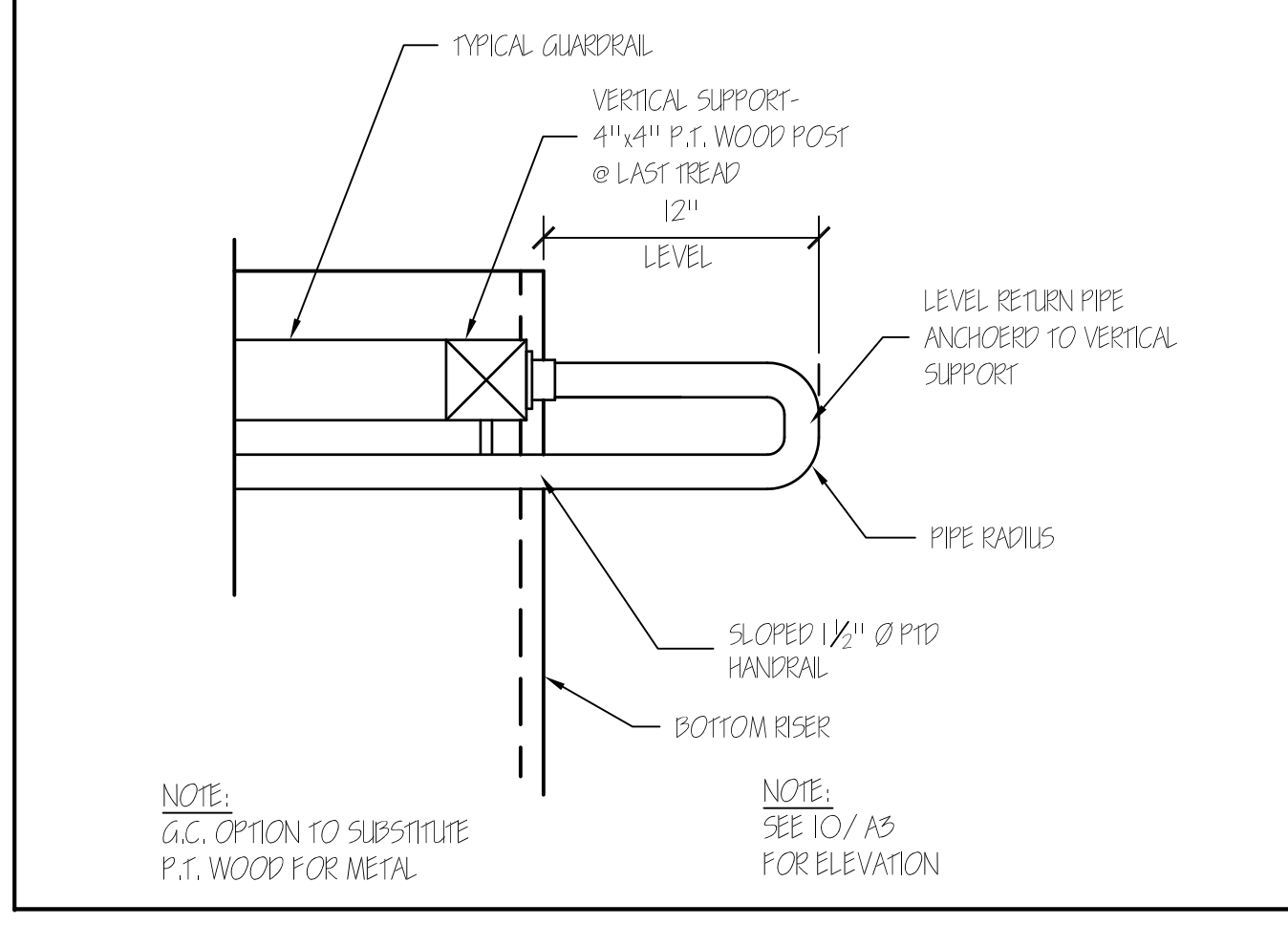
8 HANDRAIL TOP EXT. @ GUARDRAIL 3/4" = 1'-0"



9 PLAN - TOP HANDRAIL EXTENSION 1/2" = 1'-0"



10 HANDRAIL BOTTOM EXTENSION 3/4" = 1'-0"



11 PLAN-HANDRAIL EXTENSION 1/2" = 1'-0"

