

Michael F. Hays  
REVISION

- 06.12.15 C&D COMMENTS
- 09.23.15 RATED WALL SYMBOL / DETAILS
- 09.23.15 RATED WALL SYMBOL / DETAILS

PROJECT NAME

**48 WILMOT STREET**

48 WILMOT STREET LLC  
477 CONGRESS STREET  
PORTLAND, MAINE 04101

JHELT

DETAILS, SECTIONS & SCHEDULES

DATE  
22 JUNE 2015

JSCALE  
AS NOTED

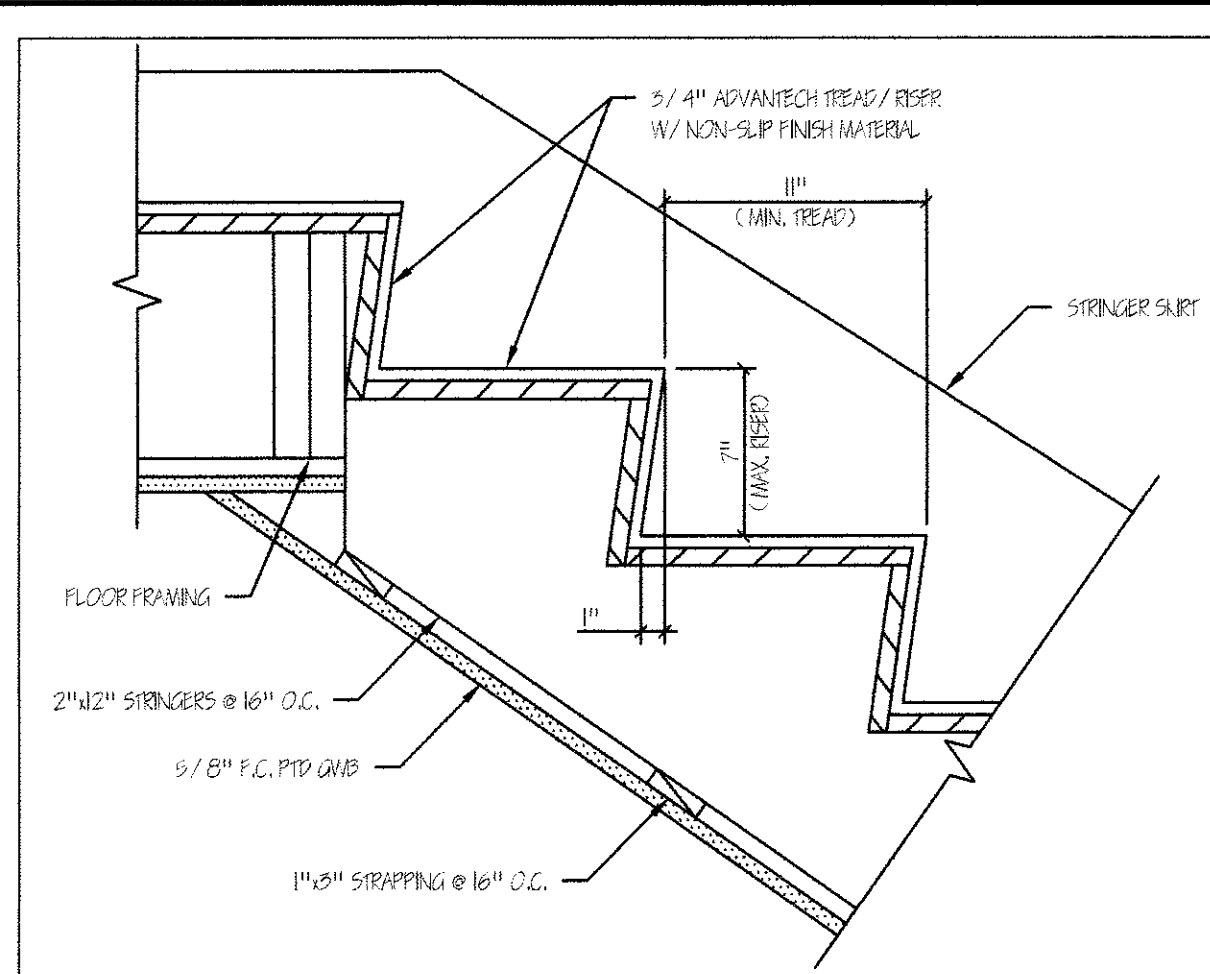
DRAWN  
JAM/MFH

JOB NO.  
150605

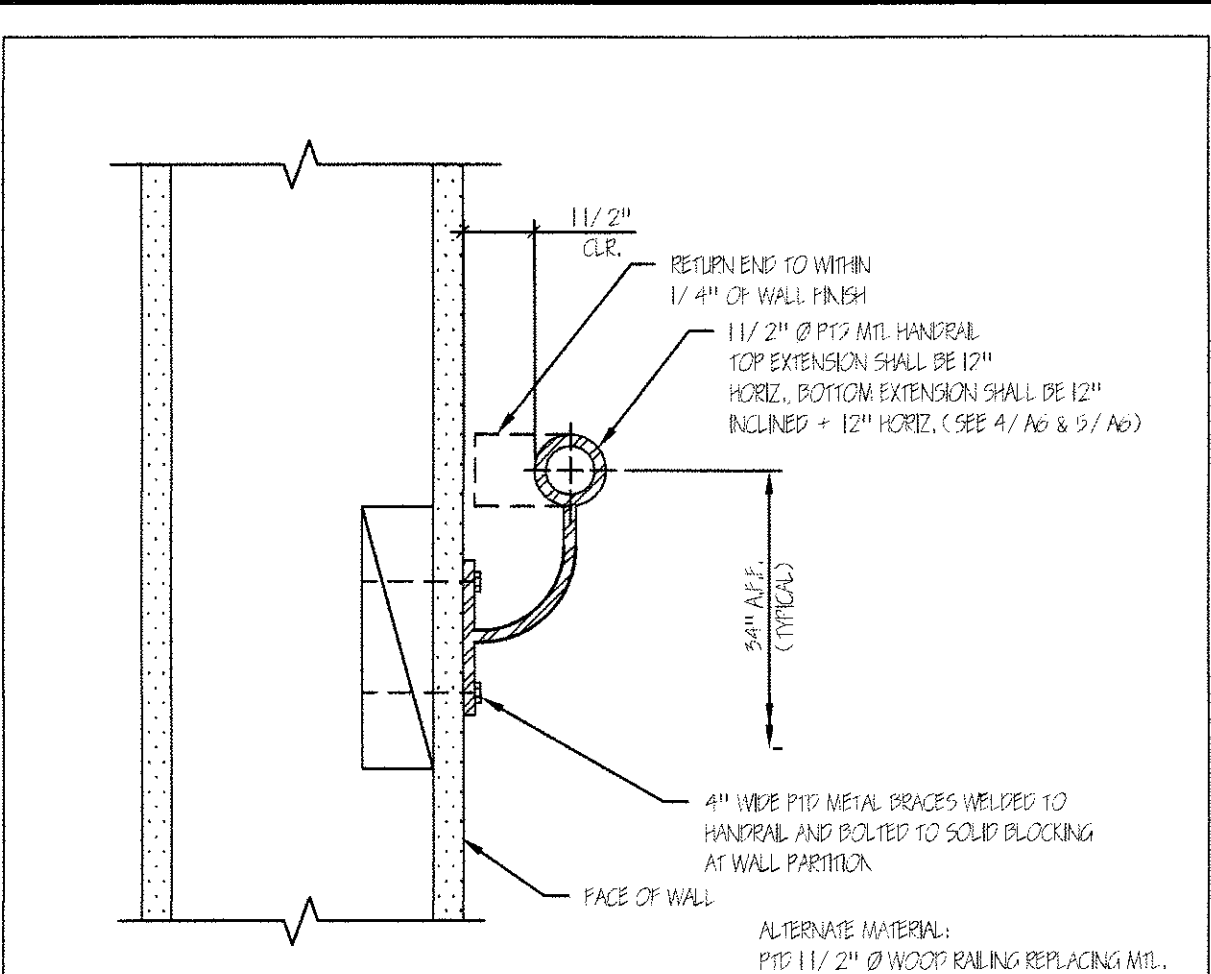
JHELT

**A6**

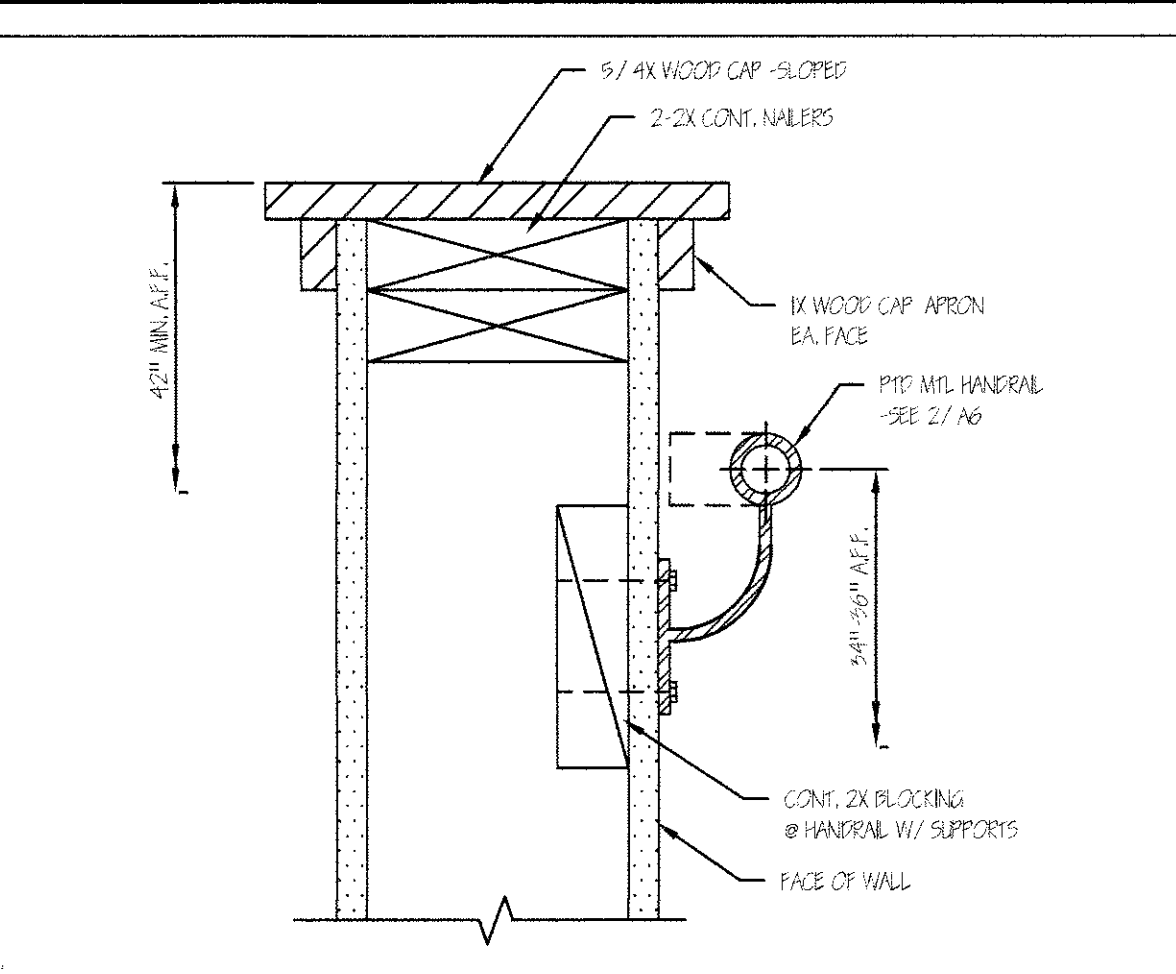
COPYRIGHT REPRODUCTION OR RELIEF OF THIS DOCUMENT WITHOUT WRITTEN PERMISSION FROM GRANT HAYS ASSOCIATES IS PROHIBITED.



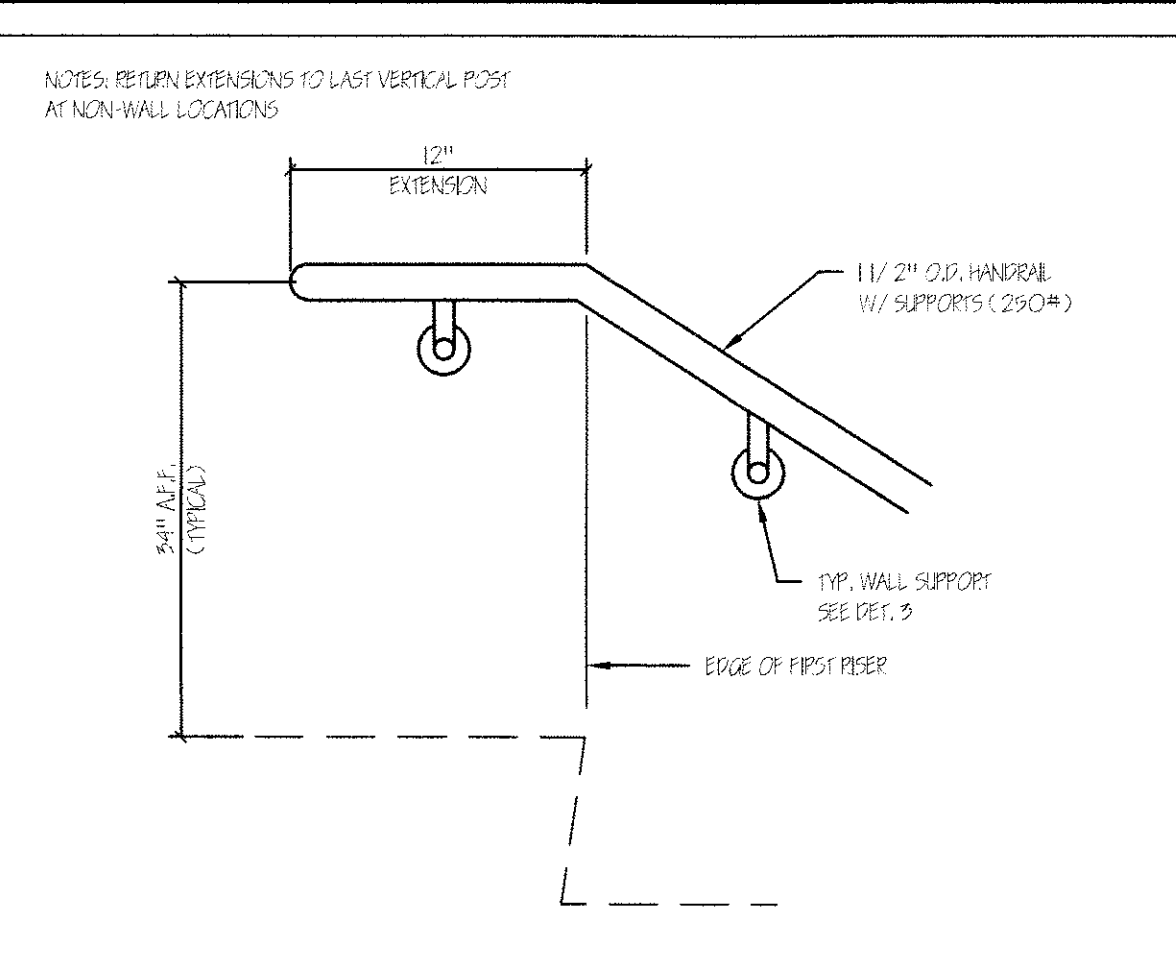
1 INTERIOR STAIR RISER/ TREAD DETAIL 11/2"=1'-0"



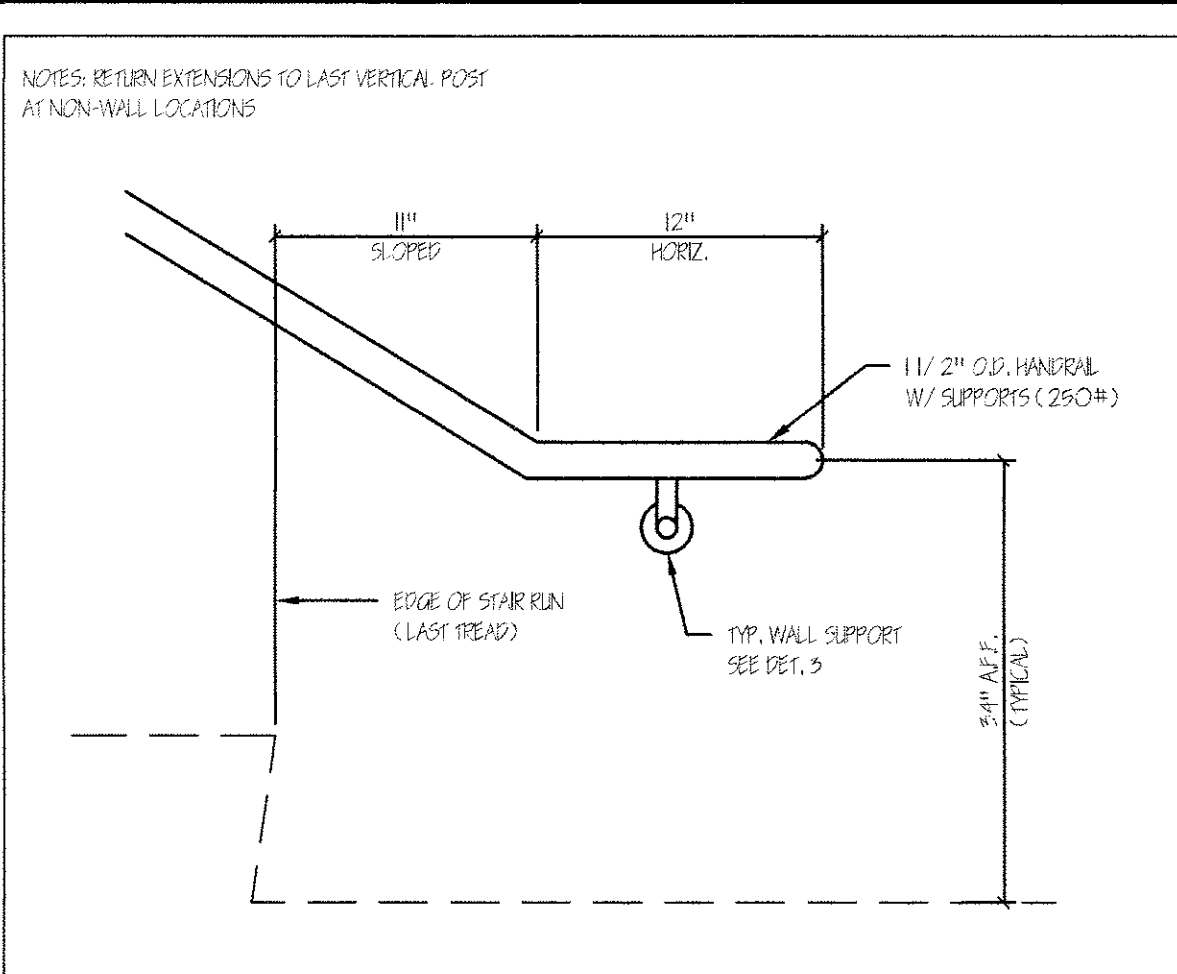
2 TYPICAL WALL HANDRAIL SECTION 3/4"=1'-0"



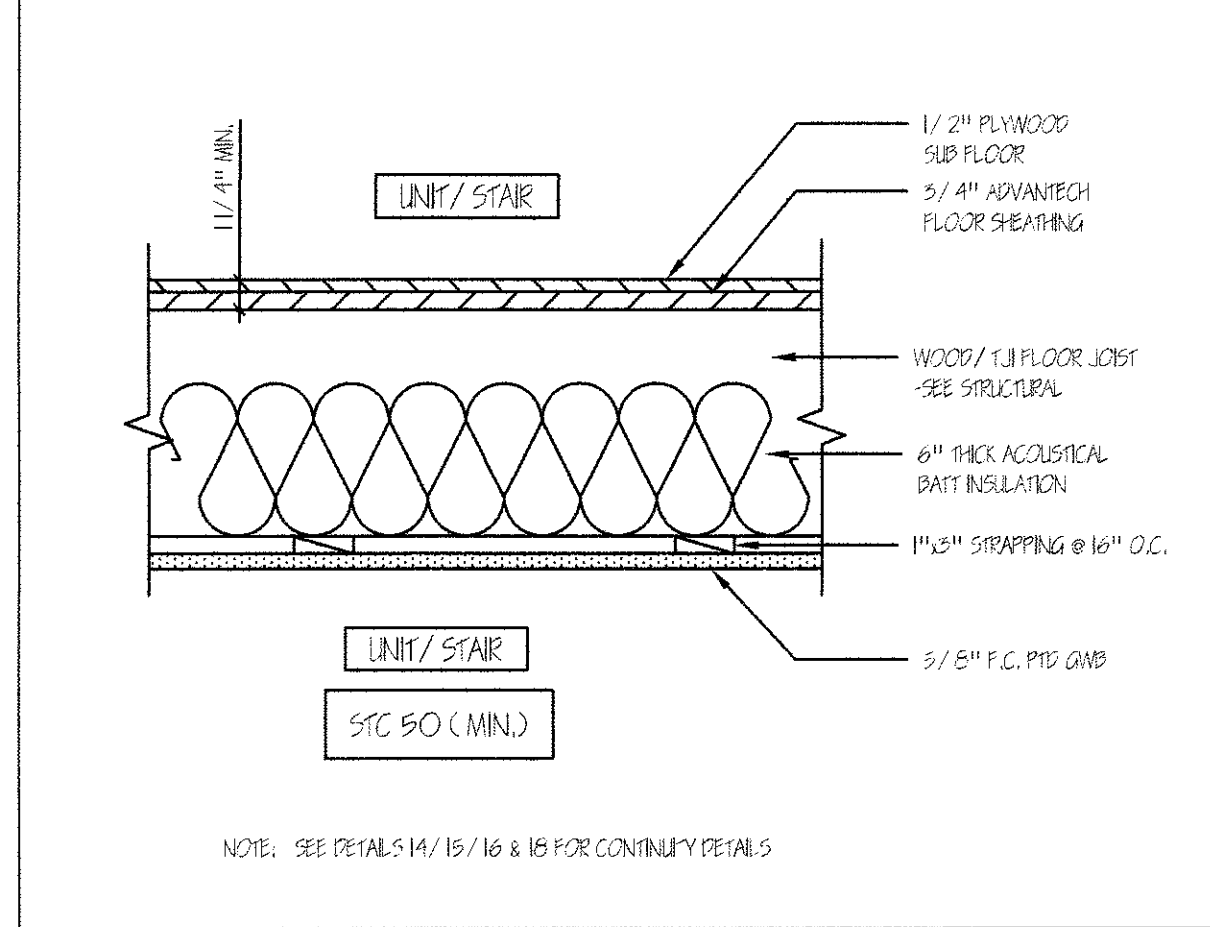
3 STAIR GUARDRAIL 3/4"=1'-0"



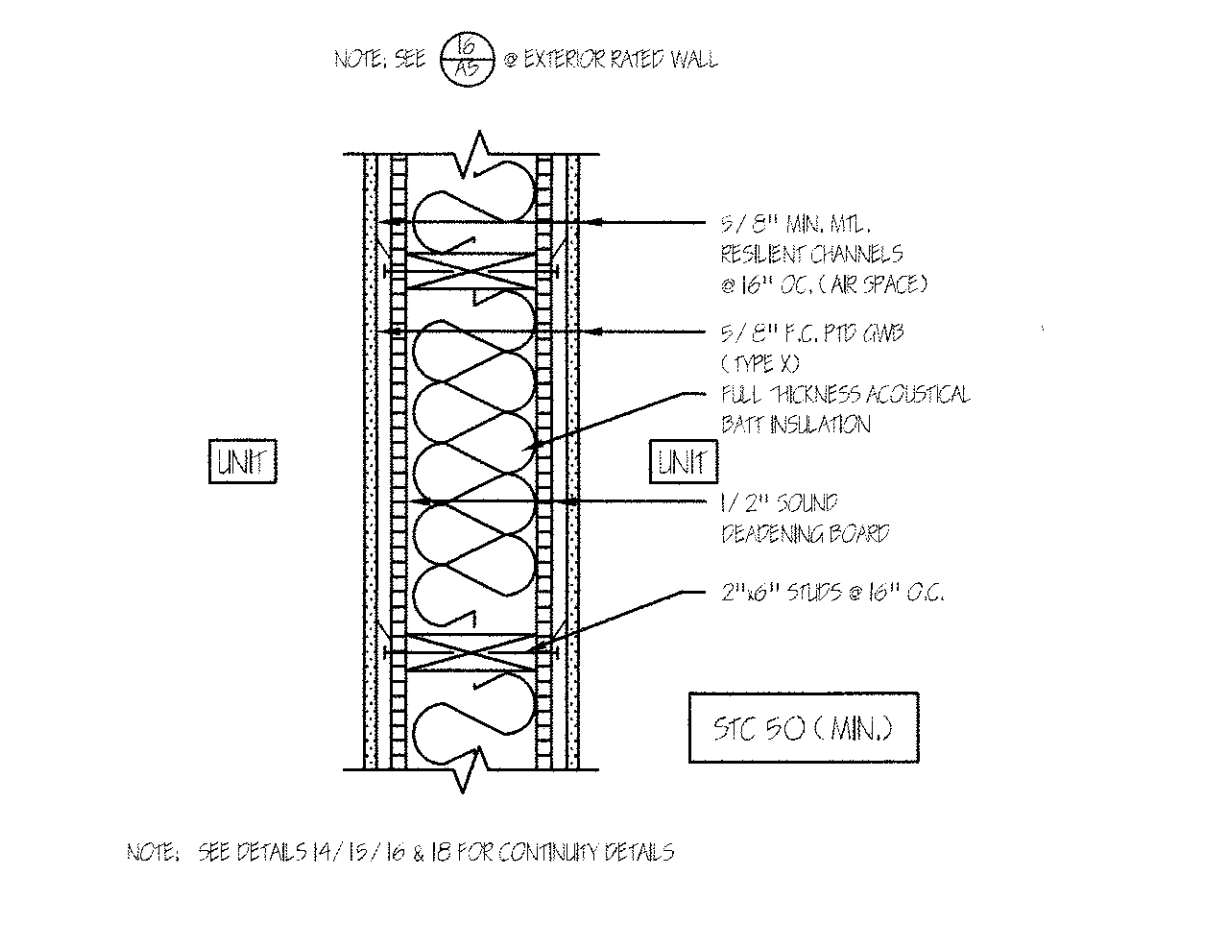
4 TYPICAL WALL HANDRAIL-TOP 3/4"=1'-0"



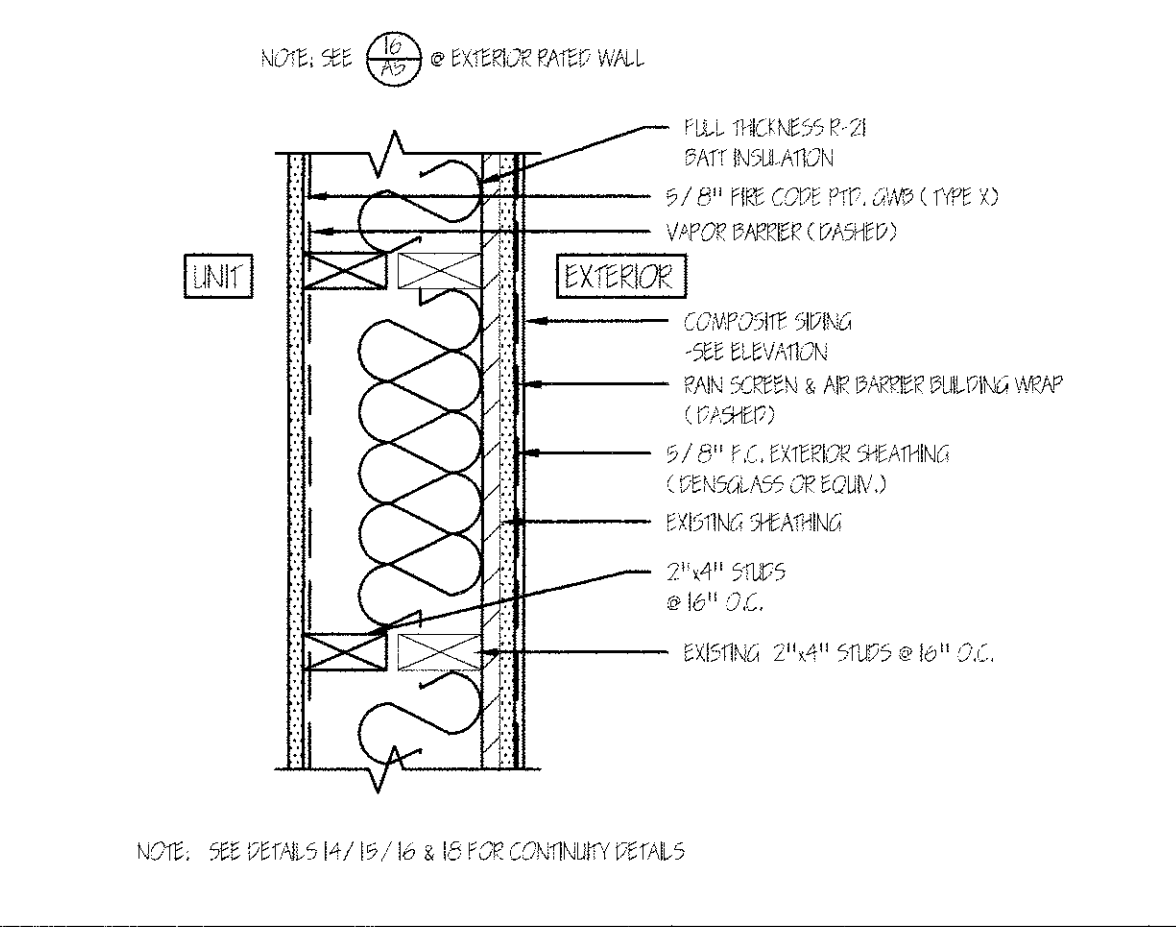
5 TYPICAL WALL HANDRAIL-BOTTOM 3/4"=1'-0"



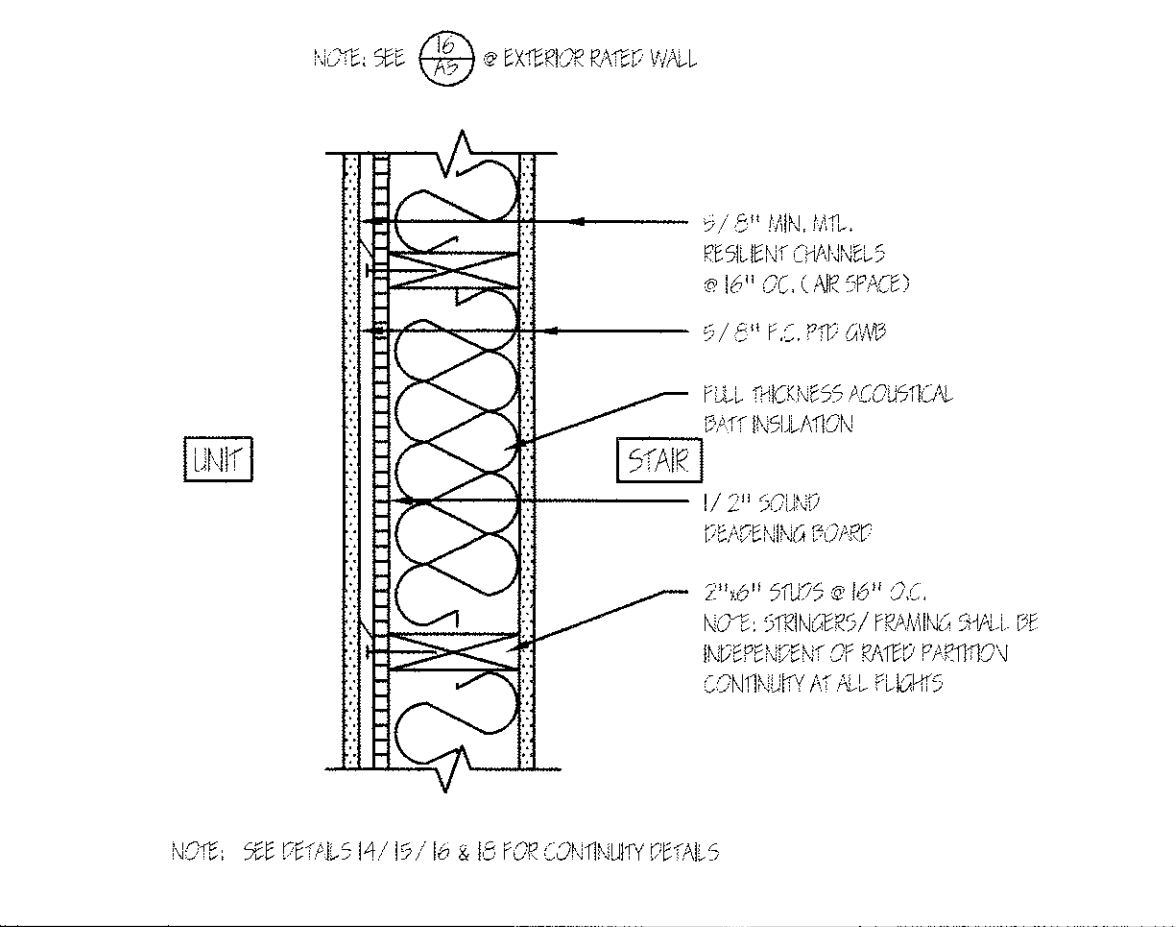
6 1 HR RATED FLOOR/ CEILING ASSEMBLY 11/2"=1'-0"



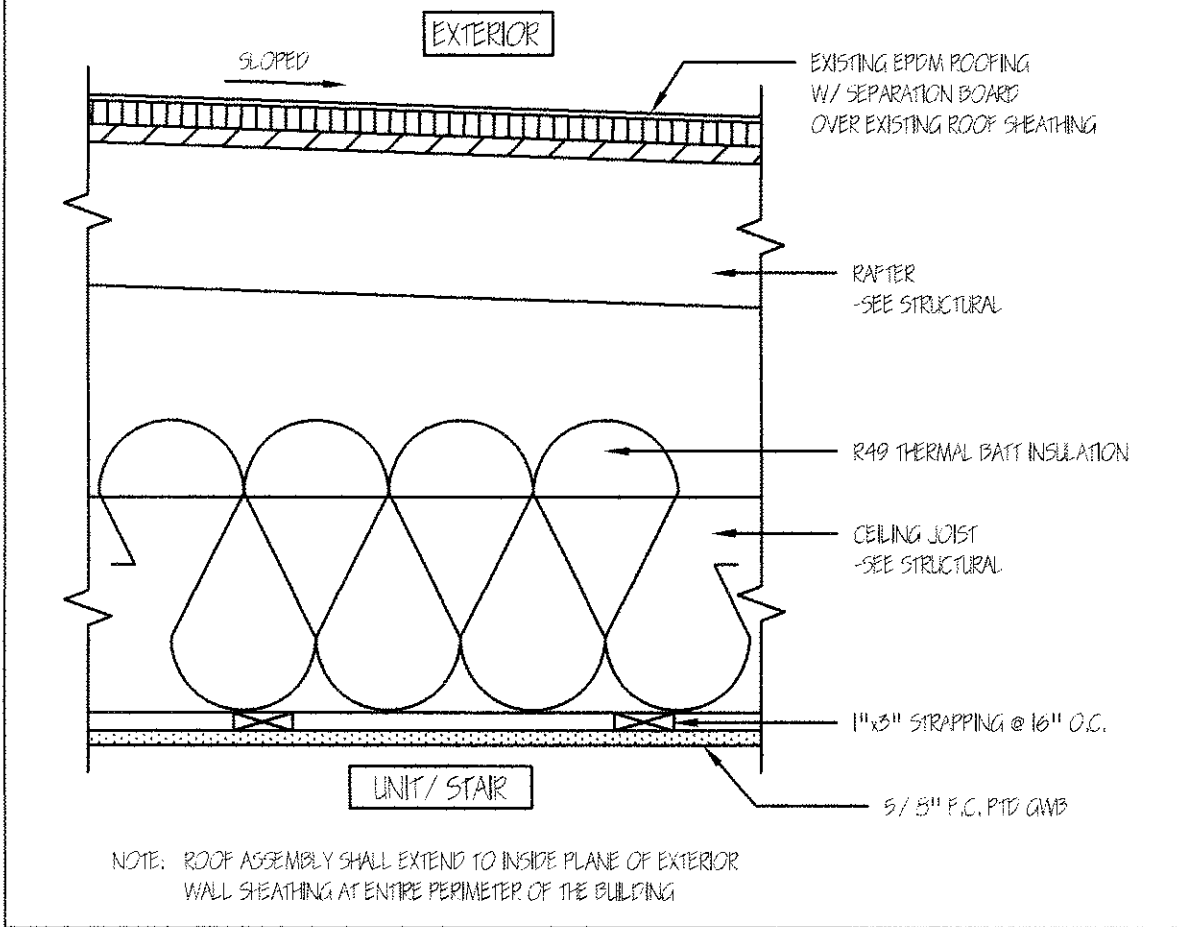
7 1 HR RATED SEPARATION PARTITION ASSEMBLY 11/2"=1'-0"



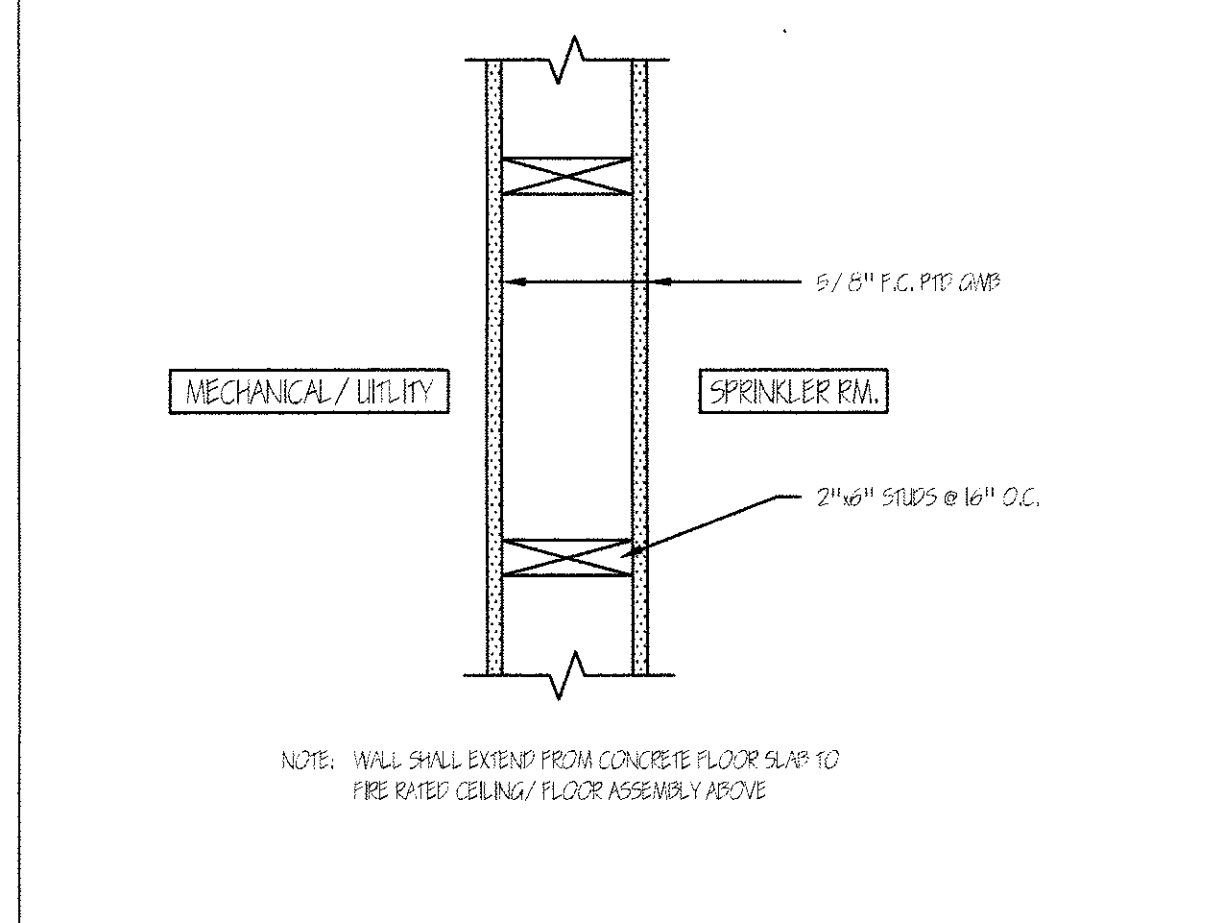
8 1 HR RATED EXTERIOR WALL ASSEMBLY 11/2"=1'-0"



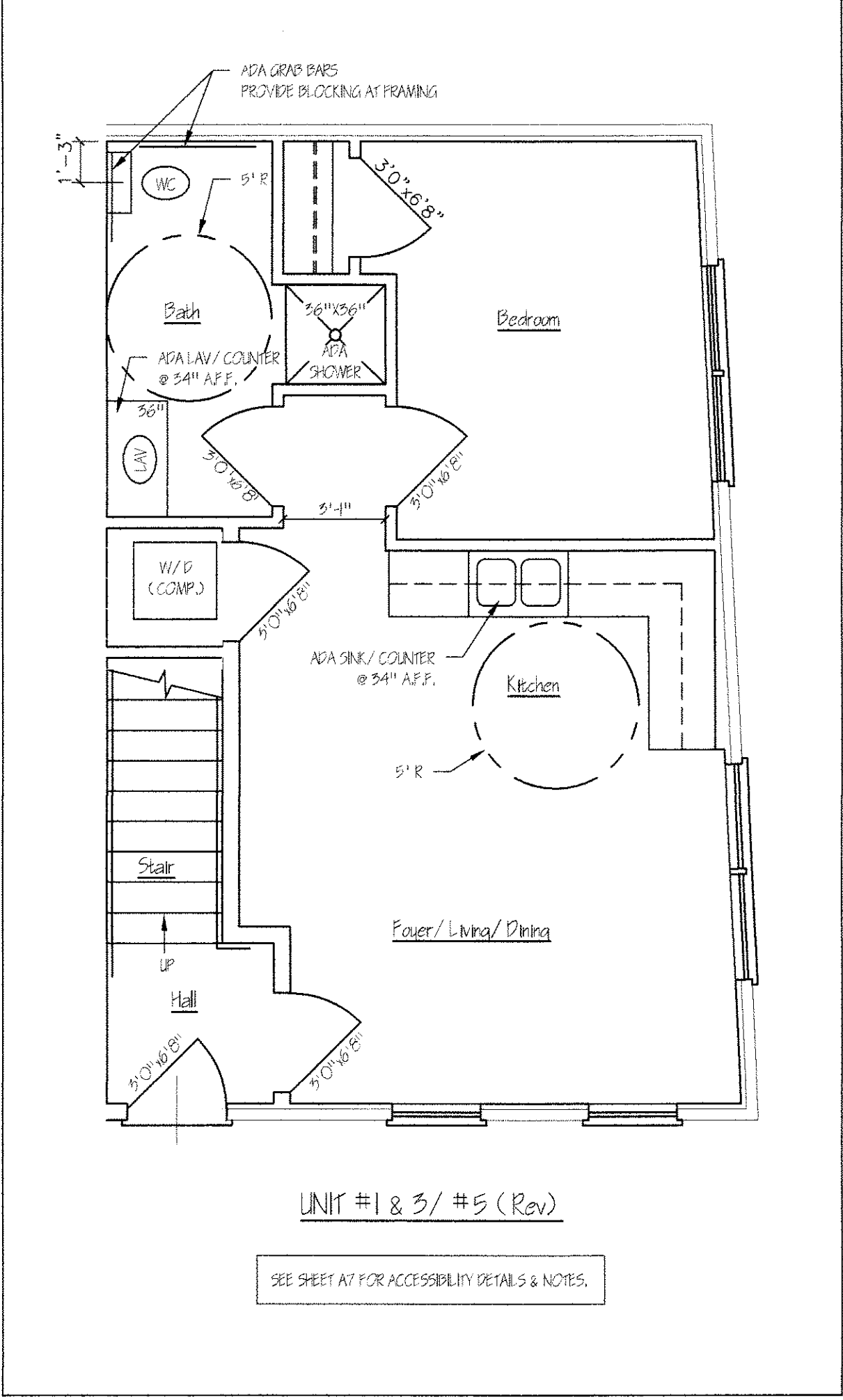
9 1 HR RATED PARTITION AT STAIR 11/2"=1'-0"



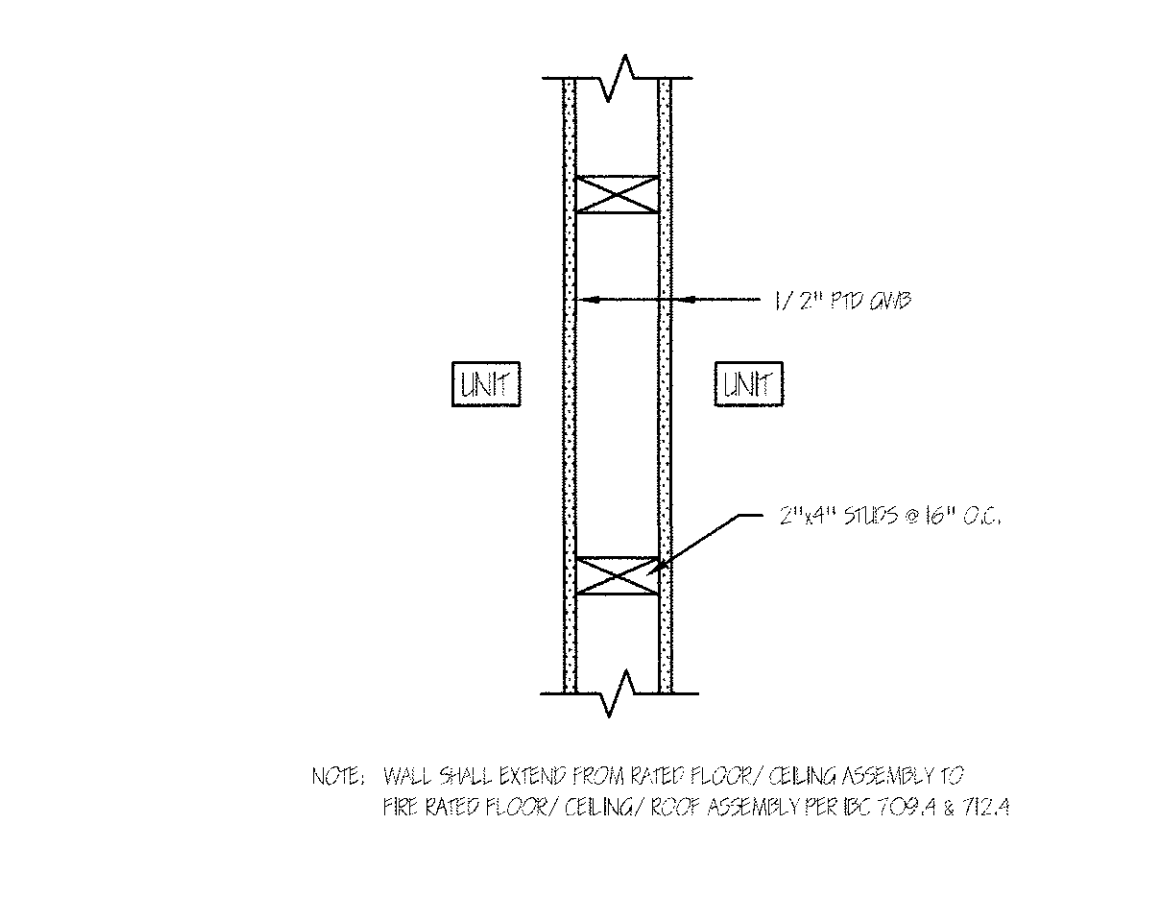
10 1 HR RATED CEILING/ ROOF ASSEMBLY 11/2"=1'-0"



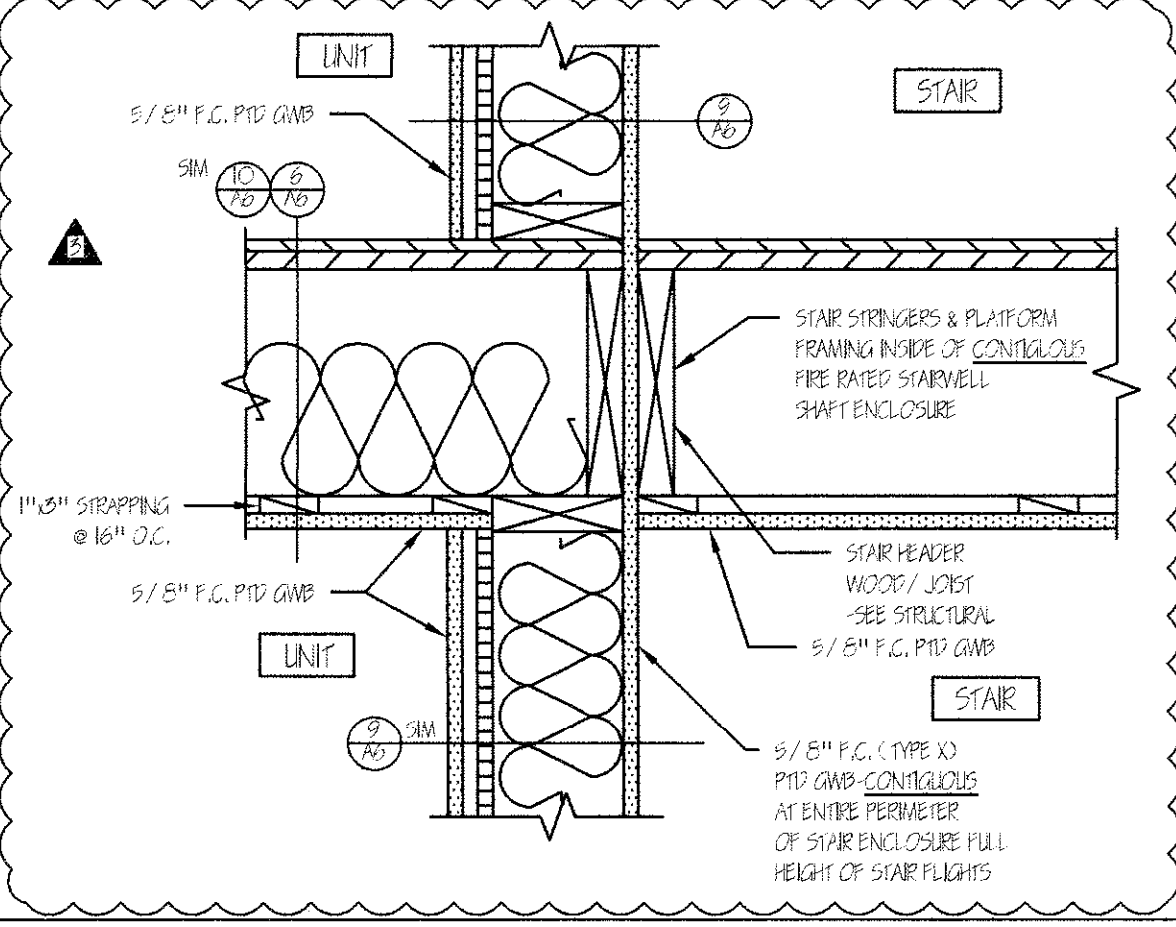
11 1 HR RATED PARTITION WALL 11/2"=1'-0"



13 ACCESSIBLE UNIT PLAN 1/4"=1'-0"



14 NON-RATED INTERIOR PARTITION WALL 11/2"=1'-0"



15 1 HR RATED UNIT/ STAIR SEPARATION @ 1 HR FIRE RATED FLOOR/ CEILING ASSEMBLY 11/2"=1'-0"

DOOR SCHEDULE						
NO.	SIZE (WxD)	INSUL.	FIRE RATING	HARDWARE	SWING	REMARKS
01	5'-0"x6'-8"	R-7	1 HR	HW-1	LEFT HAND	* DOOR/ FRAME ASSEMBLY, SELF CLOSING
02	5'-0"x6'-8"	R-7	1 HR	HW-2	RIGHT HAND	* DOOR/ FRAME ASSEMBLY, SELF CLOSING
03	5'-0"x6'-8"	R-7	1 HR	HW-2	LEFT HAND	* DOOR/ FRAME ASSEMBLY, SELF CLOSING
04	5'-0"x6'-8"	R-7	1 HR	HW-2	RIGHT HAND	* DOOR/ FRAME ASSEMBLY, SELF CLOSING
05	5'-0"x6'-8"	R-7	1 HR	HW-2	LEFT HAND	* DOOR/ FRAME ASSEMBLY, SELF CLOSING
06	5'-0"x6'-8"	R-7	1 HR	HW-2	RIGHT HAND	* DOOR/ FRAME ASSEMBLY, SELF CLOSING
07	5'-0"x6'-8"	R-7	1 HR	HW-2	LEFT HAND	* DOOR/ FRAME ASSEMBLY, SELF CLOSING
08	5'-0"x6'-8"	R-7	1 HR	HW-2	RIGHT HAND	* DOOR/ FRAME ASSEMBLY, SELF CLOSING
NOTE: SEE FLOOR PLANS FOR UNIT INTERIOR DOOR SIZES, SWING AND TYPE						
HW-1	3 BUTTS - DOOR ENTRY LEVER LOCKSET, THRESHOLD WEATHER STRIPPING, DOOR BOTTOM					* GC OPTIONAL, SELF CLOSING BUTTS OR DOOR CLOSERS
HW-2	3 BUTTS - DOOR ENTRY LEVER LOCKSET, THRESHOLD WEATHER STRIPPING, DOOR BOTTOM, DOOR VEEBAR					* GC OPTIONAL, SELF CLOSING BUTTS OR DOOR CLOSERS
ADA UNITS	ALL LATCHETS/ LOCKSETS SHALL BE LEVER HANDLE. ALL INTERIOR DOORS AT OCCUPIED ROOMS SHALL BE 36" WIDE					

WINDOW SCHEDULE						
NO.	SIZE (WxD)	TYPE	FIRE RATING	GLAZING	ROUGH OPENING (WxD)	REMARKS
01	2'-8"x4'-0"	DOUBLE-HUNG	NONE	INSL. GL.	13 D. IN FIELD	REPLACEMENT WINDOW, VERIFY IN FIELD
02	11/2" x 50x46	DOUBLE-HUNG	NONE	INSL. GL.	6'-4"x4'-9 1/4"	ANDERSEN OR EQUIV. (EGRESS WINDOW)
03	11/2" x 46	DOUBLE-HUNG	NONE	INSL. GL.	5'-2 1/4"x4'-9 1/4"	ANDERSEN OR EQUIV. (EGRESS WINDOW)
04	1'-10"x4'-9"	DOUBLE-HUNG	NONE	TEMP. INSL. GL.	13 D. IN FIELD	REPLACEMENT WINDOW, VERIFY IN FIELD

WINDOW & DOOR SCHEDULE & HARDWARE SETS