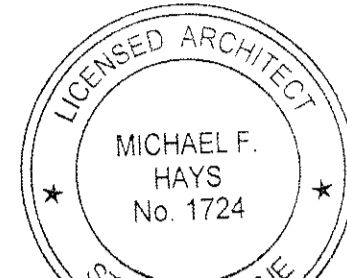


GRANT HAYS ASSOCIATES

ARCHITECTURE & INTERIOR DESIGN
P.O. BOX 6179 FALMOUTH MAINE 04105
207.871.5900 www.granthays.com

SCALE



Michael F. Hays
REVISIONS

PROJECT NAME

15 UNIT APARTMENT BUILDING
48 WILMOT STREET
48 WILMOT STREET LLC.
477 CONGRESS STREET
PORTLAND, MAINE 04101

SHEET

DETAILS, SECTIONS & SCHEDULES

DATE
26 JUNE 2015

SCALE
1/4" = 1'-0"

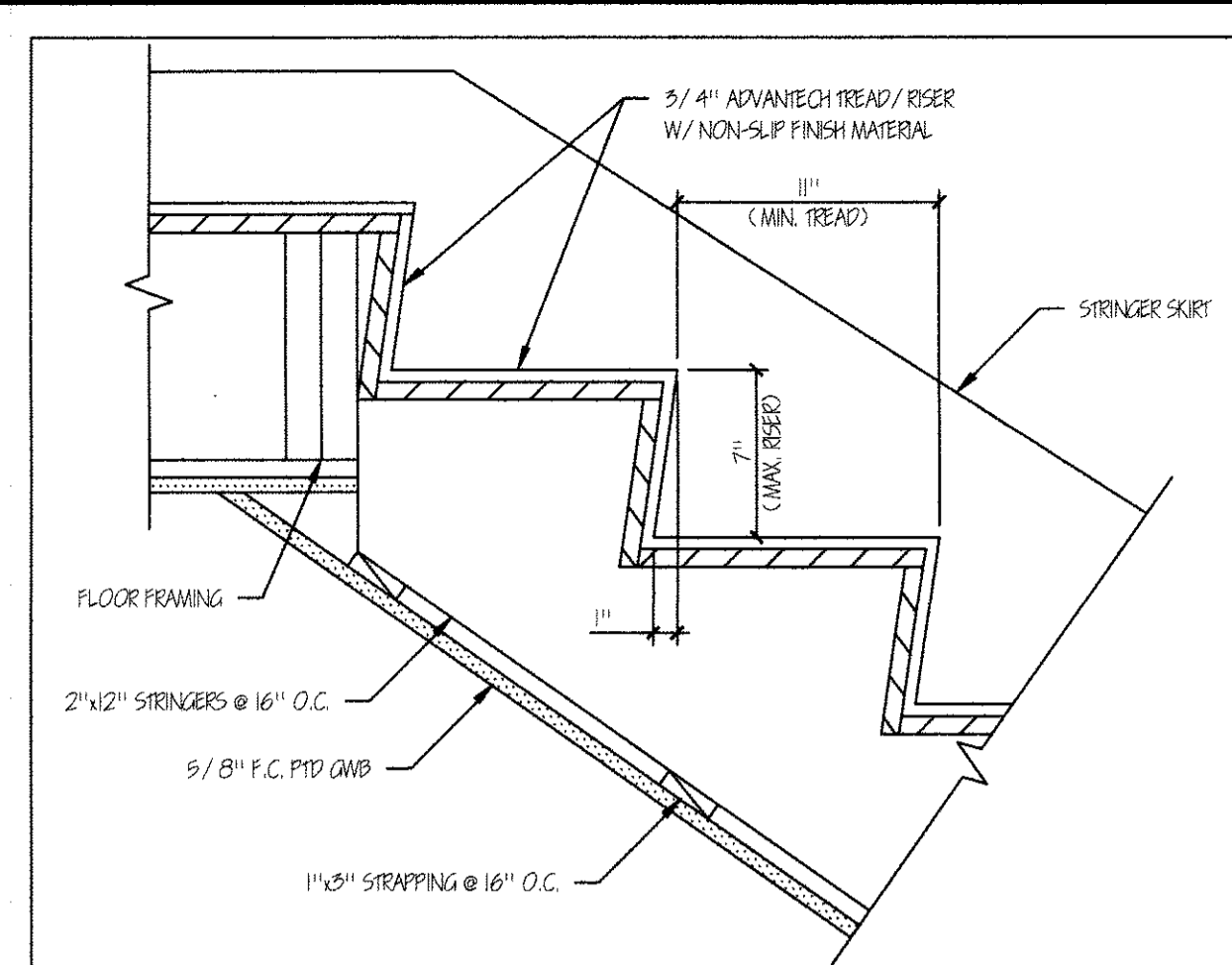
DRAWN
JAM/MFH

JOB NO.
150605

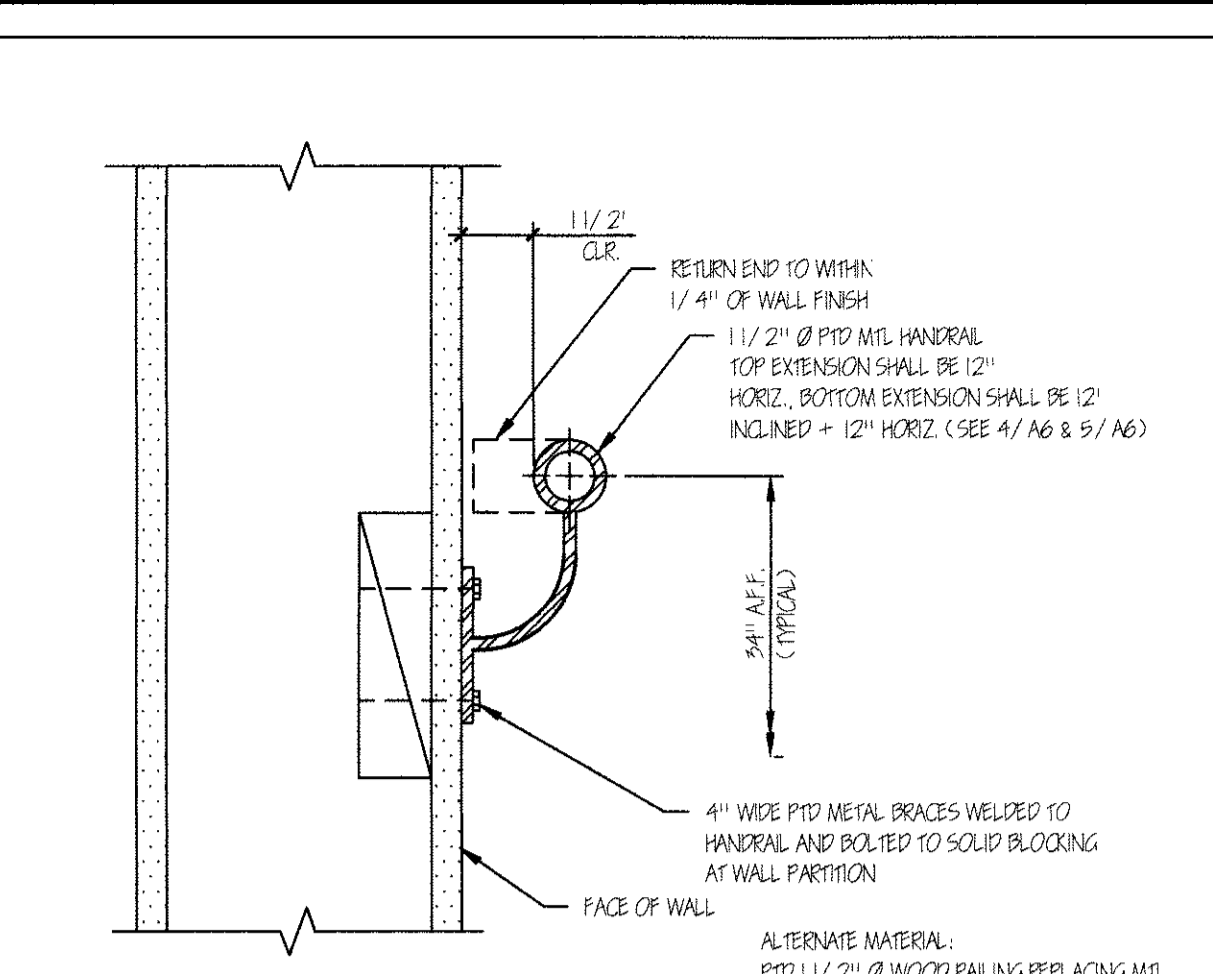
SHEET

A6

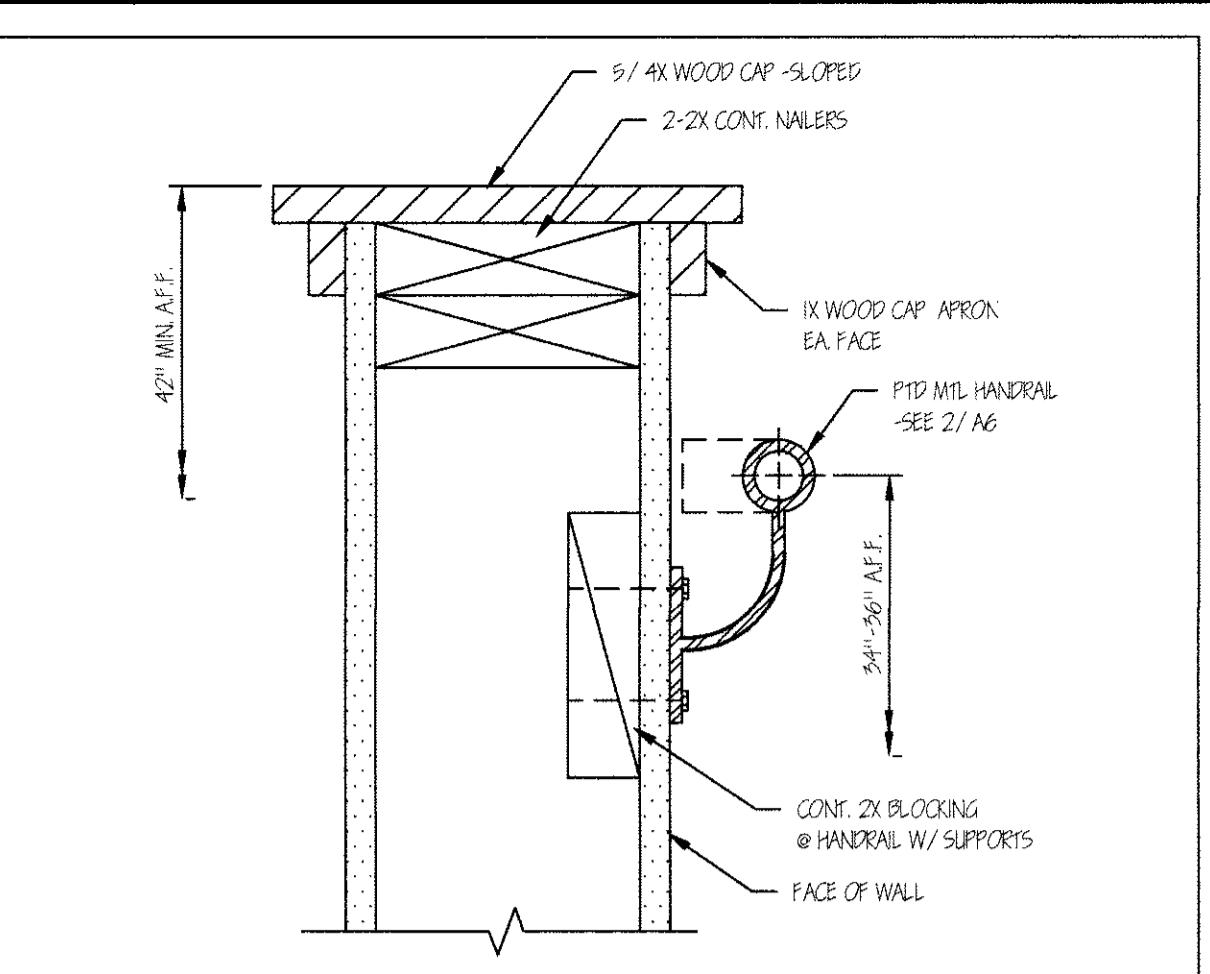
COPYRIGHT REPRODUCTION OR REVUE OF THIS DOCUMENT WITHOUT WRITTEN PERMISSION FROM GRANT HAYS ASSOCIATES IS PROHIBITED.



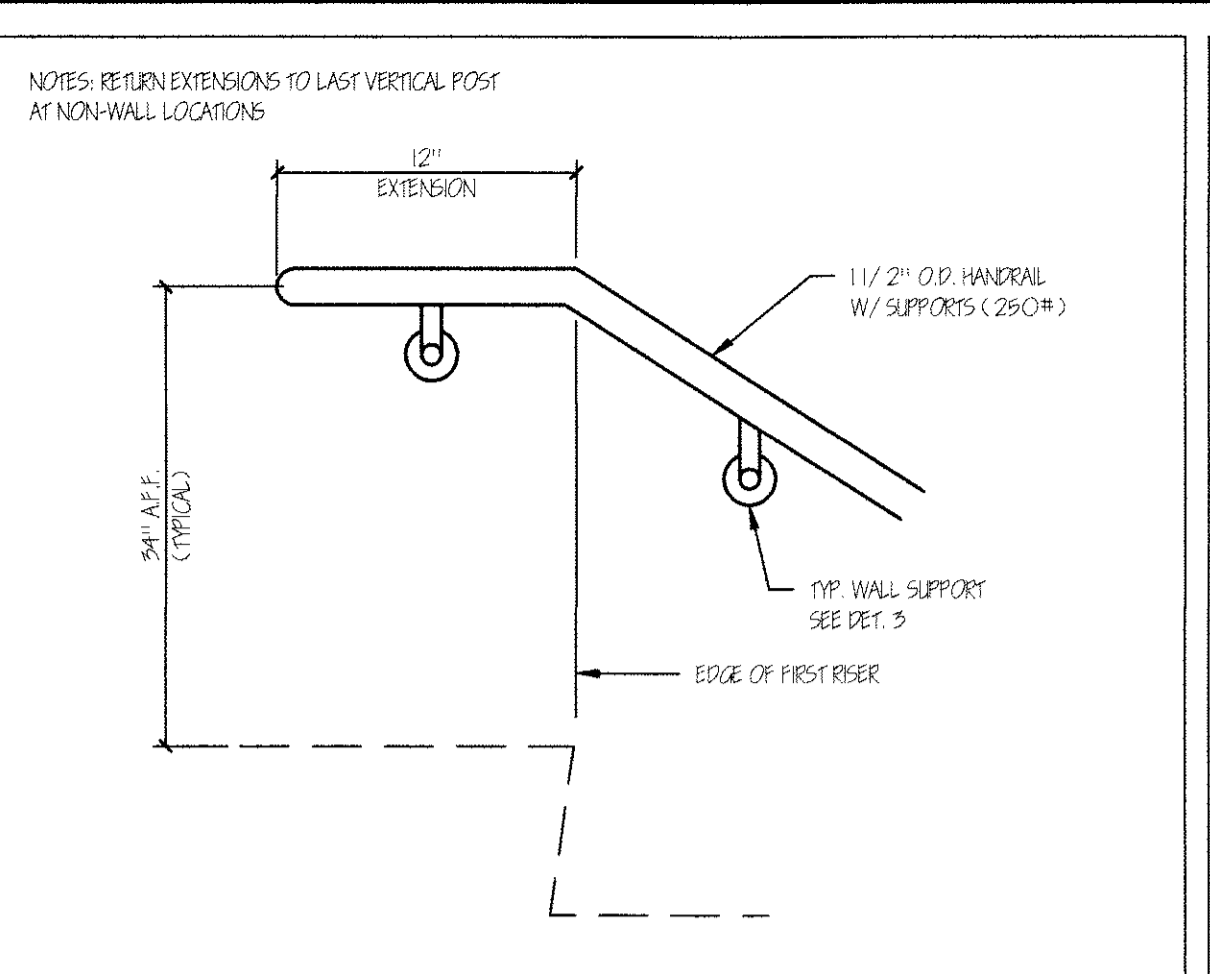
1 INTERIOR STAIR RISER/ TREAD DETAIL 1 1/2" = 1'-0"



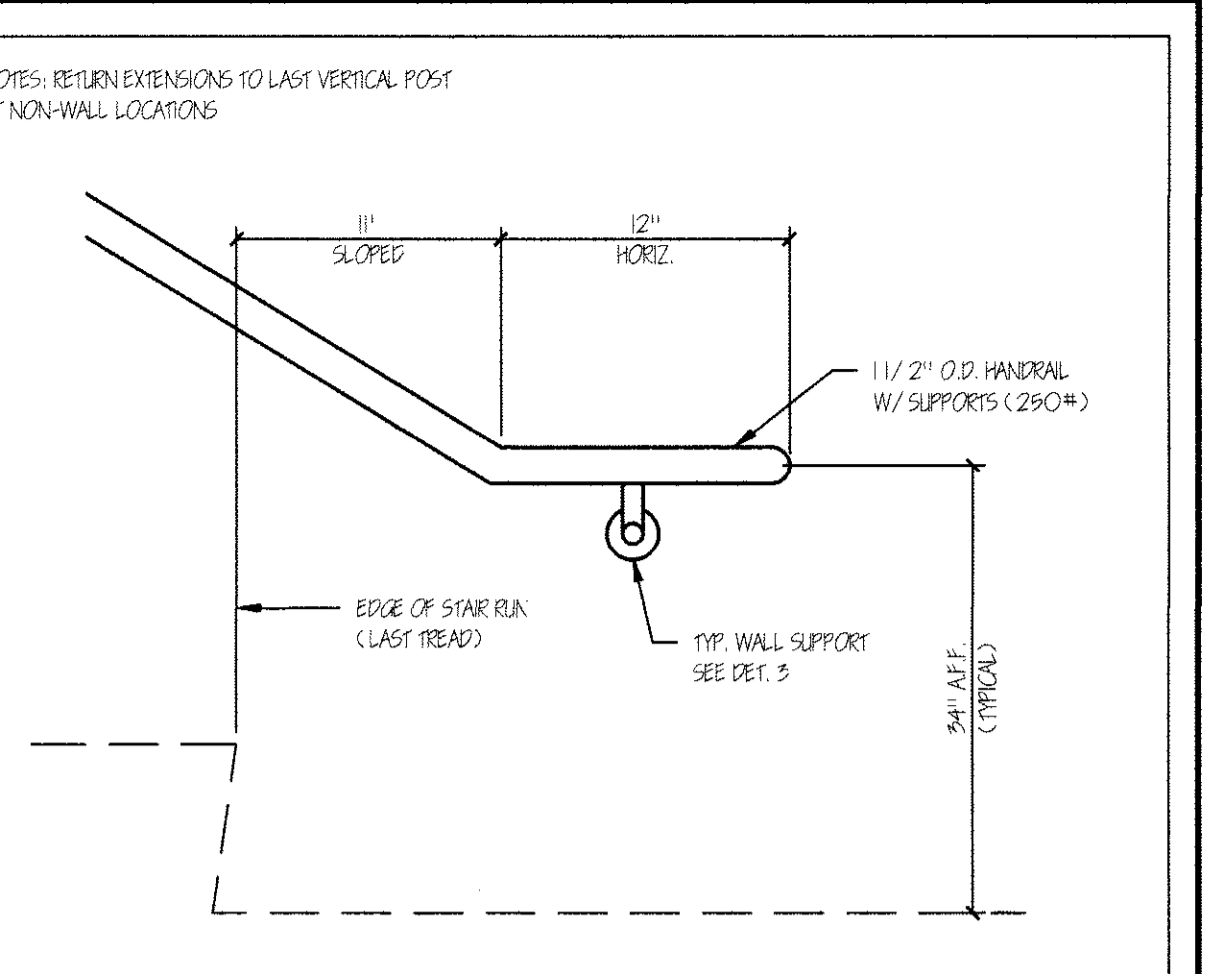
2 TYPICAL WALL HANDRAIL SECTION 3" = 1'-0"



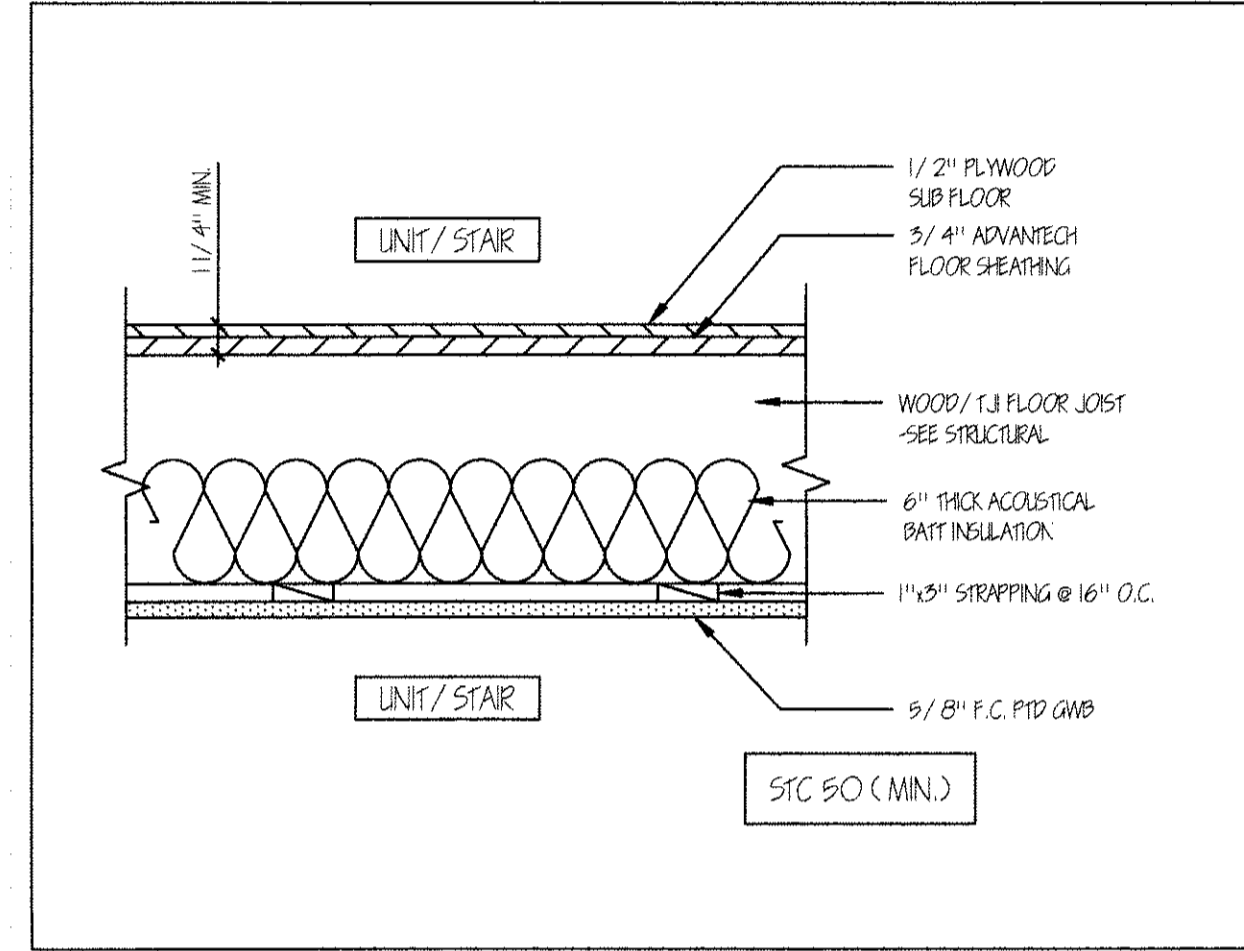
3 STAIR GUARDRAIL 3" = 1'-0"



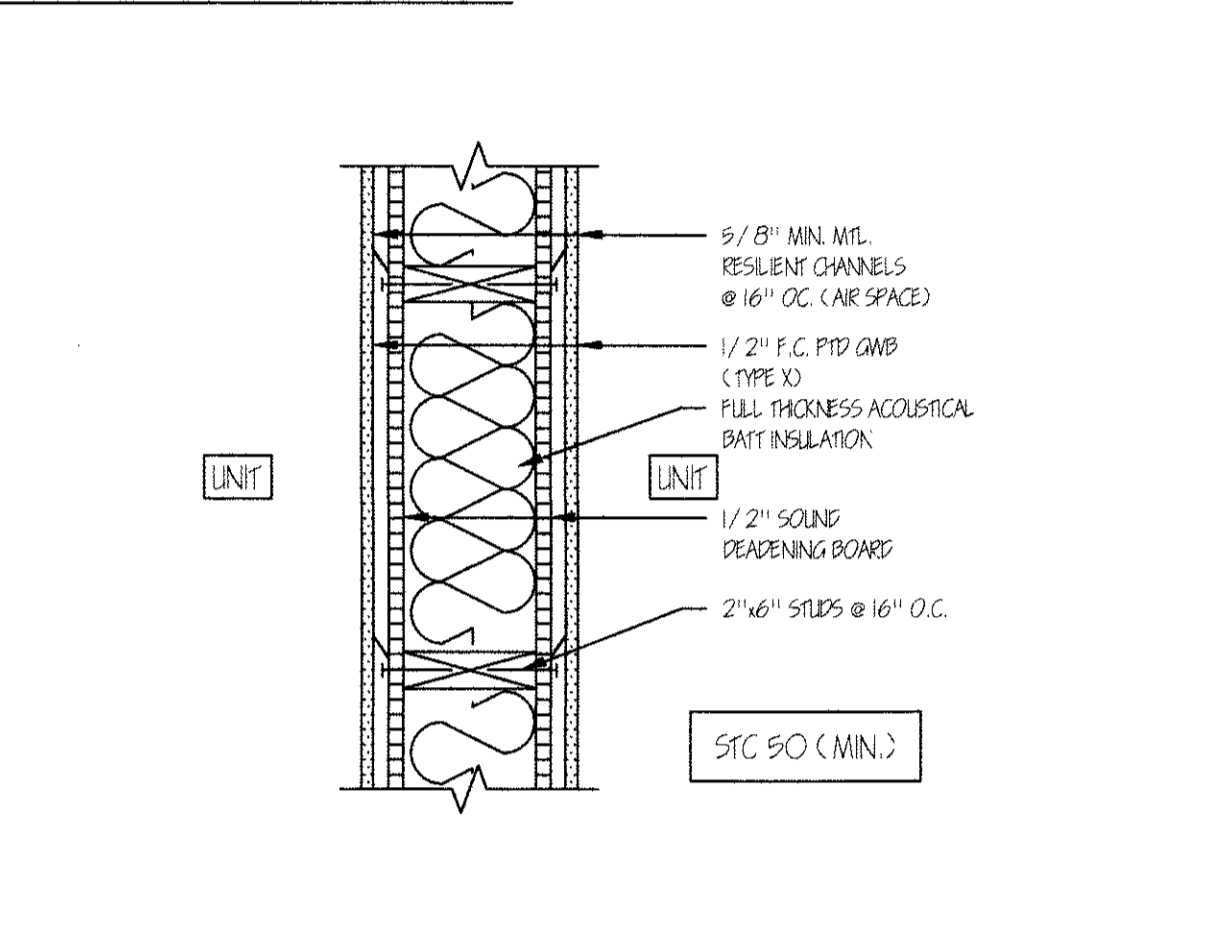
4 TYPICAL WALL HANDRAIL-TOP 3" = 1'-0"



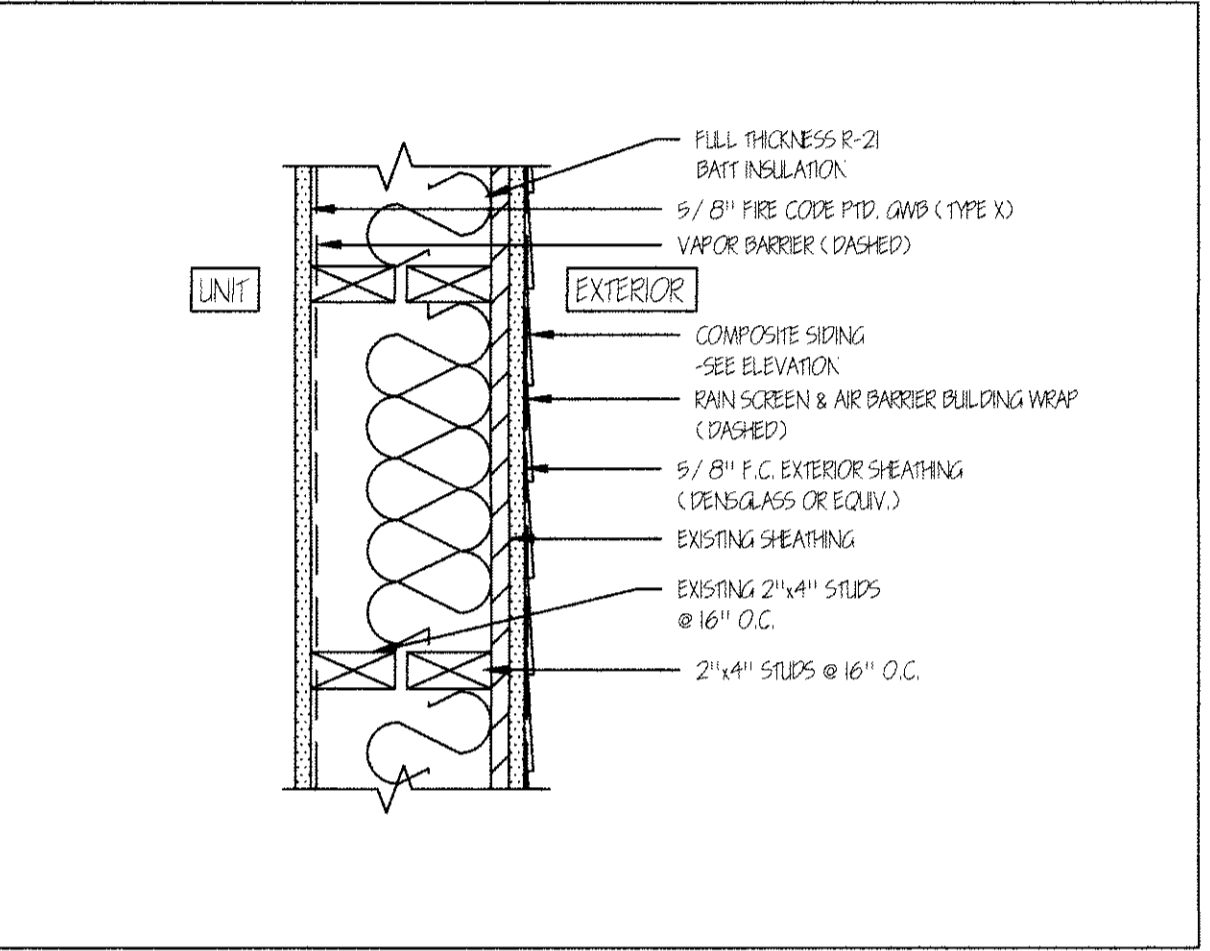
5 TYPICAL WALL HANDRAIL-BOTTOM 3" = 1'-0"



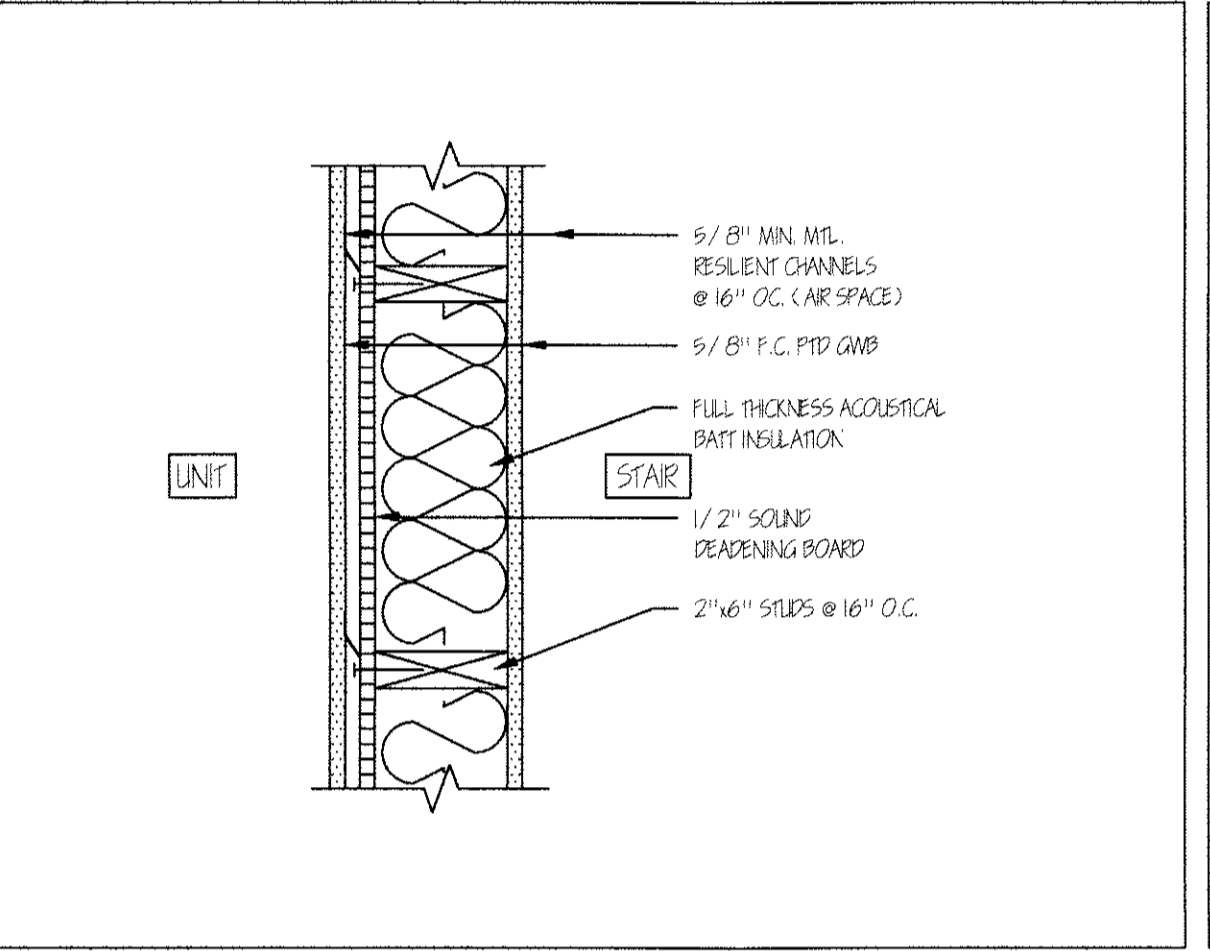
6 1 HR RATED FLOOR/ CEILING ASSEMBLY 1 1/2" = 1'-0"



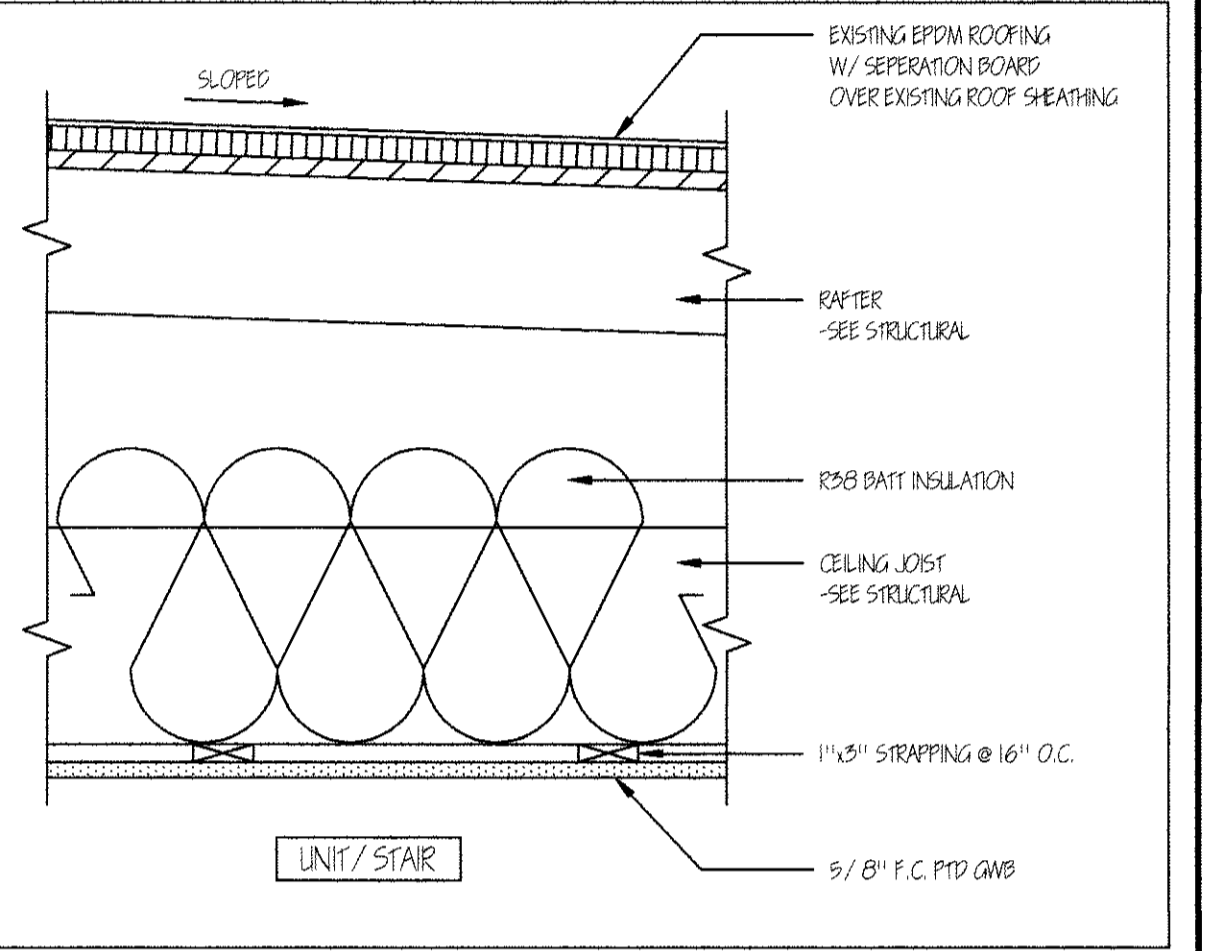
7 1 HR RATED SEPERATION PARTITION ASSEMBLY 1 1/2" = 1'-0"



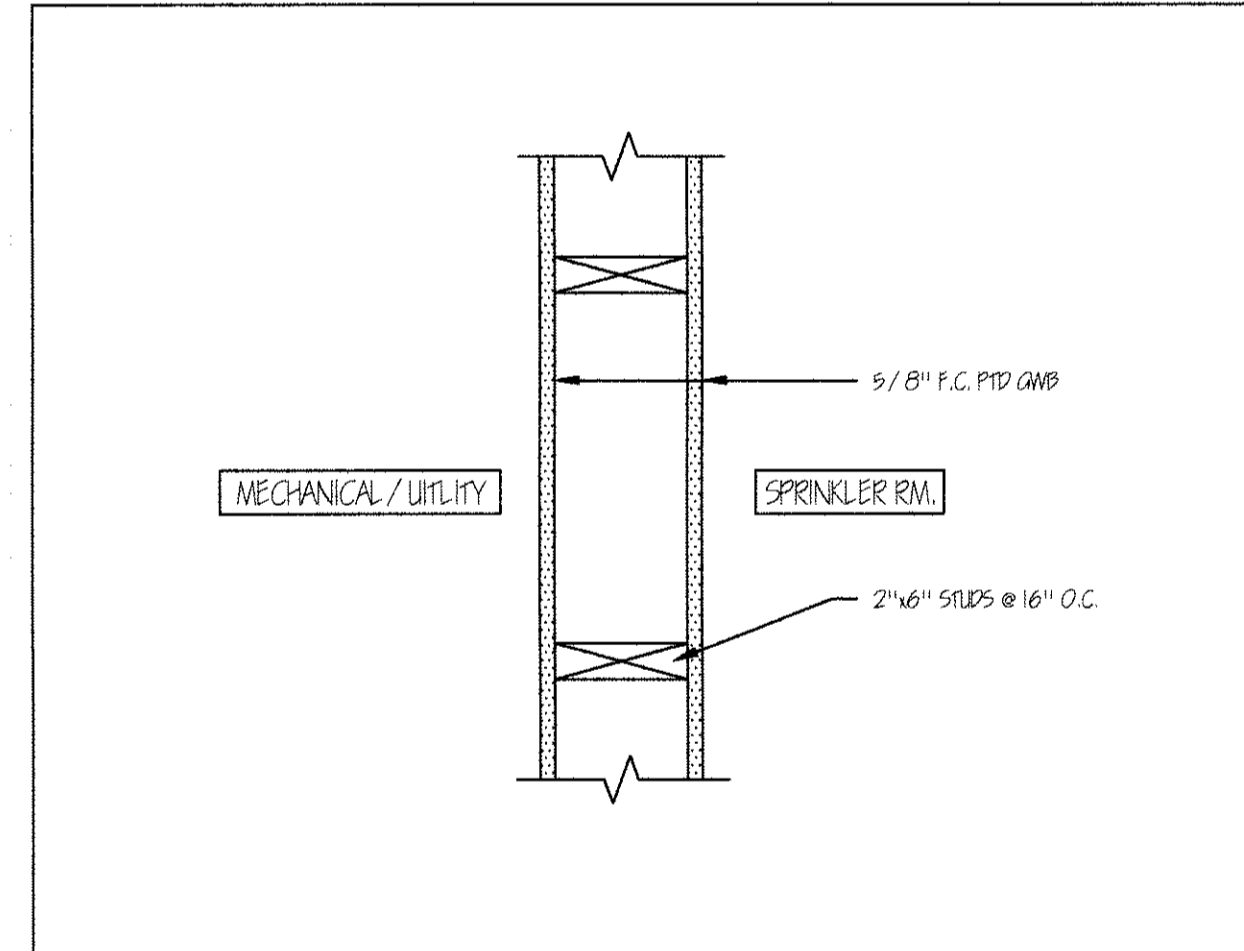
8 1 HR RATED EXTERIOR WALL ASSEMBLY 1 1/2" = 1'-0"



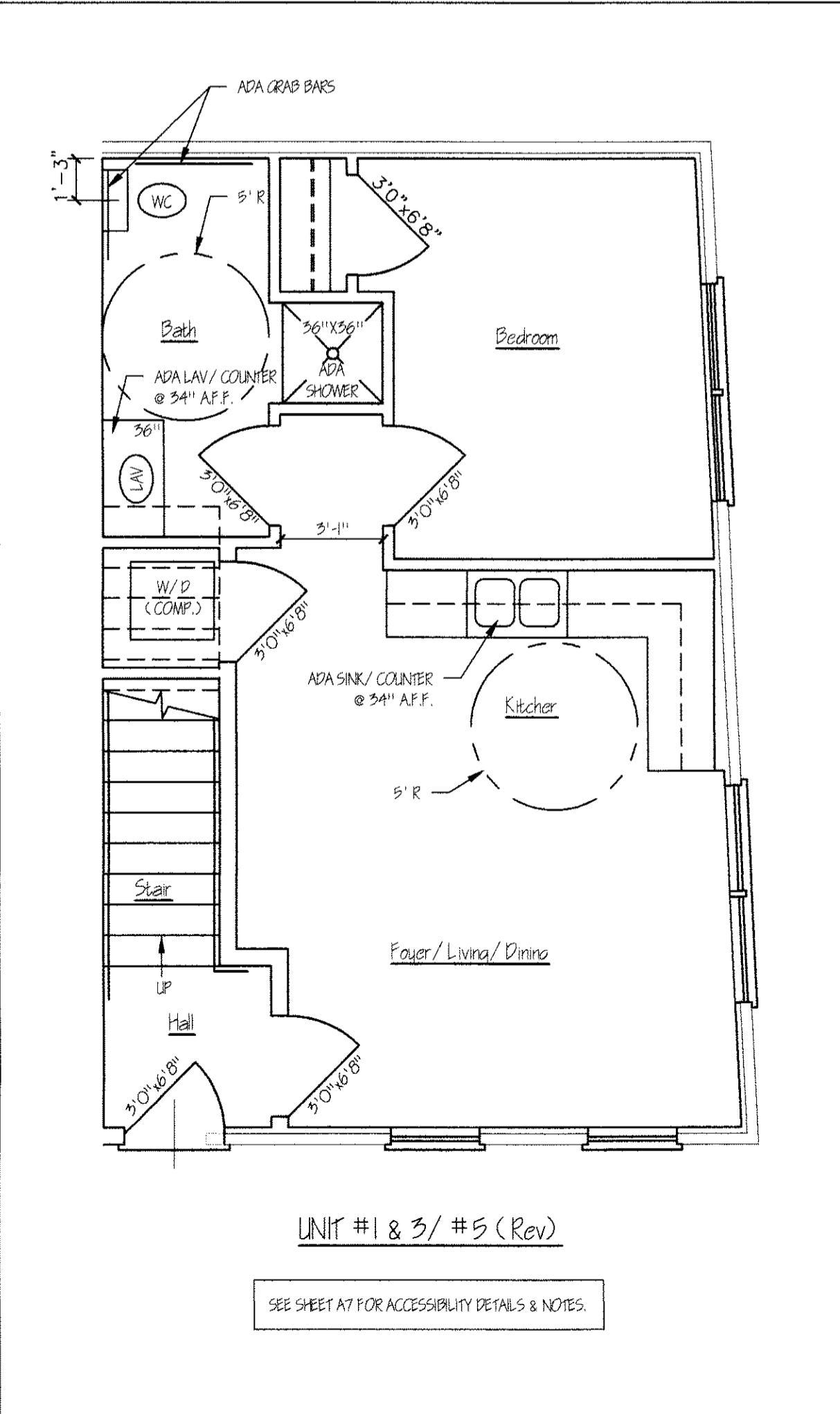
9 1 HR RATED PARTITION AT STAIR 1 1/2" = 1'-0"



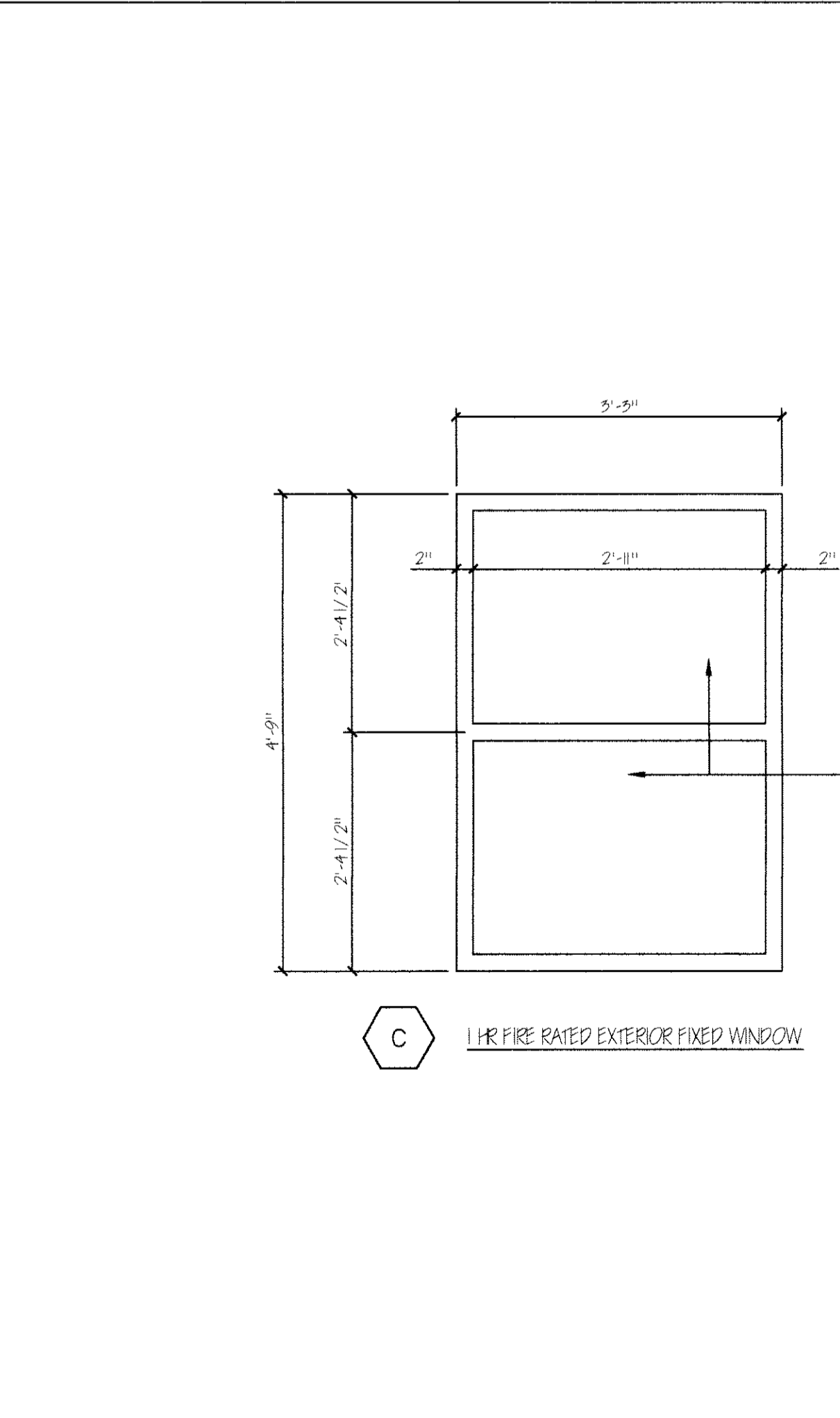
10 1 HR RATED CEILING/ ROOF ASSEMBLY 1 1/2" = 1'-0"



11 1 HR RATED PARTITION WALL 1/2" = 1'-0"



13 ACCESSIBLE UNIT PLAN 1/4" = 1'-0"



14 WINDOW TYPES-RATED NO SCALE

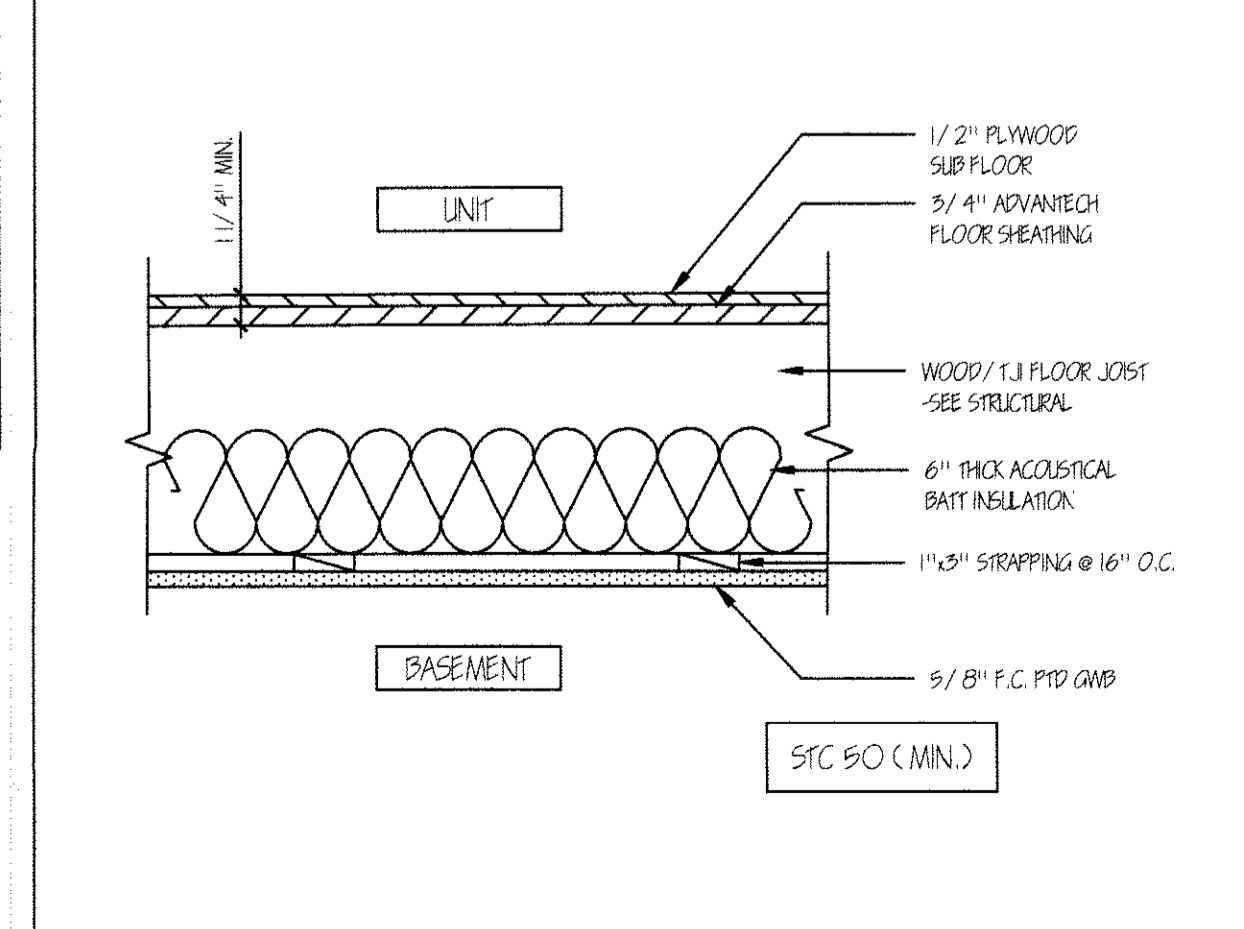
DOOR SCHEDULE						
NO.	SIZE (WxH)	INSUL.	FIRE RATING	HARDWARE	SWING	REMARKS
1	5'-0" x 6'-8"	R-7	D (49 MINS.) *	HW-1	LEFT HAND	* DOOR/FRAME ASSEMBLY, SELF CLOSING
2	5'-0" x 6'-8"	R-7	D (49 MINS.) *	HW-2	RIGHT HAND	* DOOR/FRAME ASSEMBLY, SELF CLOSING
3	5'-0" x 6'-8"	R-7	D (49 MINS.) *	HW-2	LEFT HAND	* DOOR/FRAME ASSEMBLY, SELF CLOSING
4	5'-0" x 6'-8"	R-7	D (49 MINS.) *	HW-2	RIGHT HAND	* DOOR/FRAME ASSEMBLY, SELF CLOSING
5	5'-0" x 6'-8"	R-7	D (49 MINS.) *	HW-2	LEFT HAND	* DOOR/FRAME ASSEMBLY, SELF CLOSING
6	5'-0" x 6'-8"	R-7	D (49 MINS.) *	HW-2	RIGHT HAND	* DOOR/FRAME ASSEMBLY, SELF CLOSING
7	5'-0" x 6'-8"	R-7	D (49 MINS.) *	HW-2	LEFT HAND	* DOOR/FRAME ASSEMBLY, SELF CLOSING
8	5'-0" x 6'-8"	R-7	D (49 MINS.) *	HW-2	RIGHT HAND	* DOOR/FRAME ASSEMBLY, SELF CLOSING

NOTE: SEE FLOOR PLANS FOR UNIT INTERIOR DOOR SIZES, SWING AND TYPE

HW	5 BUTTS * DOOR ENTRY LEVER LOCKSET; THRESHOLD WEATHER STRIPPING, DOOR BOTTOM	* GC OPTIONAL: SELF CLOSING BUTTS OR DOOR CLOSERS
HW-1	5 BUTTS * DOOR ENTRY LEVER LOCKSET; THRESHOLD WEATHER STRIPPING, DOOR BOTTOM	* GC OPTIONAL: SELF CLOSING BUTTS OR DOOR CLOSERS
HW-2	5 BUTTS * DOOR ENTRY LEVER LOCKSET; THRESHOLD WEATHER STRIPPING, DOOR BOTTOM, DOOR VIEWER	* GC OPTIONAL: SELF CLOSING BUTTS OR DOOR CLOSERS

ADA UNITS: ALL LOCKSETS/LOCKERS SHALL BE LEVER HANDLE. ALL INTERIOR DOORS AT OCCUPIED ROOMS SHALL BE 36" WIDE

WINDOW & DOOR SCHEDULE & HARDWARE SETS



12 1 HR RATED FIRST FLOOR ASSEMBLY 1/2" = 1'-0"