

INSTALLATION INSTRUCTIONS FOR M301 AND M301A MONITOR MODULES

Date: 06/10/16

GENERAL

M301 and M301A Monitor Modules provide two-wire, Styles A and B initiating circuits for normally open contact fire alarm and supervisory devices.

The M301 and M301A are small enough to fit inside a single gang junction box behind the monitored device. The small size and light weight allow them to be installed without rigid mounting (see Figure 1).

COMPATIBILITY REQUIREMENTS

To insure proper operation, these modules must be connected to compatible addressable Fire-Lite control panels only.

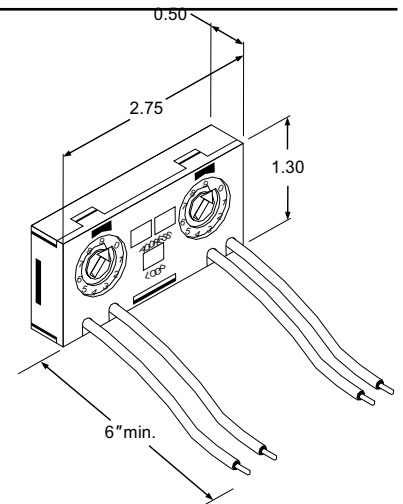
INSTALLATION

CAUTION

Do not connect circuit wiring to control unit or modules, or apply power to any portion of the system until after the circuit test has been performed.

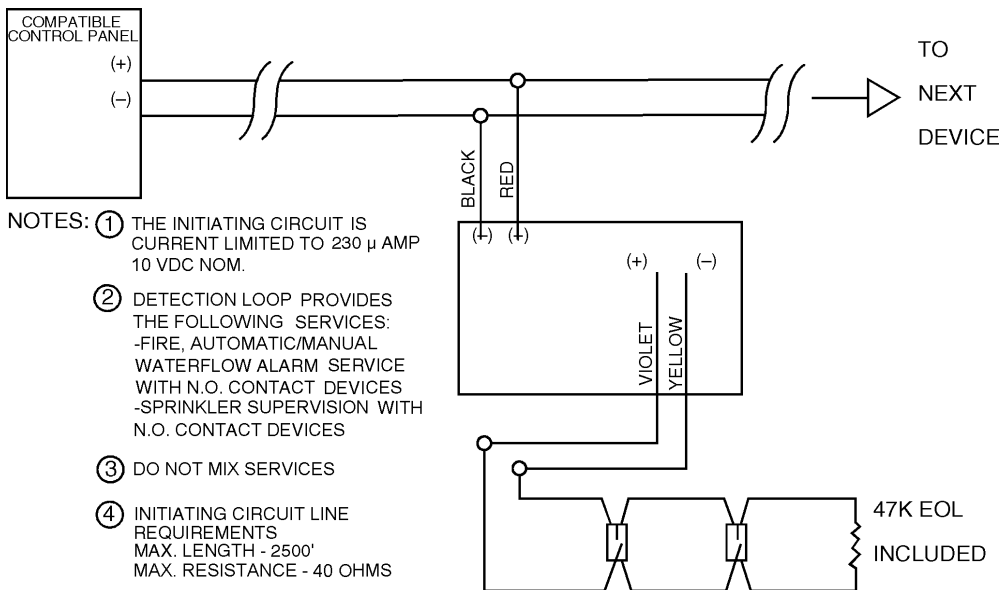
Note: All wiring must conform to applicable local codes, ordinances and regulations.

1. Install module wiring in accordance with the job drawings and wiring diagram as appropriate (Figure 2).
2. Set the desired address on the module per job drawings.
3. Record the address and loop on the front of the module if desired.



A78-2426-00

Figure 1



A78-2427-572

Figure 2

Typical 2-wire Styles A and B Initiating Circuit Configuration
of a M301 or M301A Monitor Module