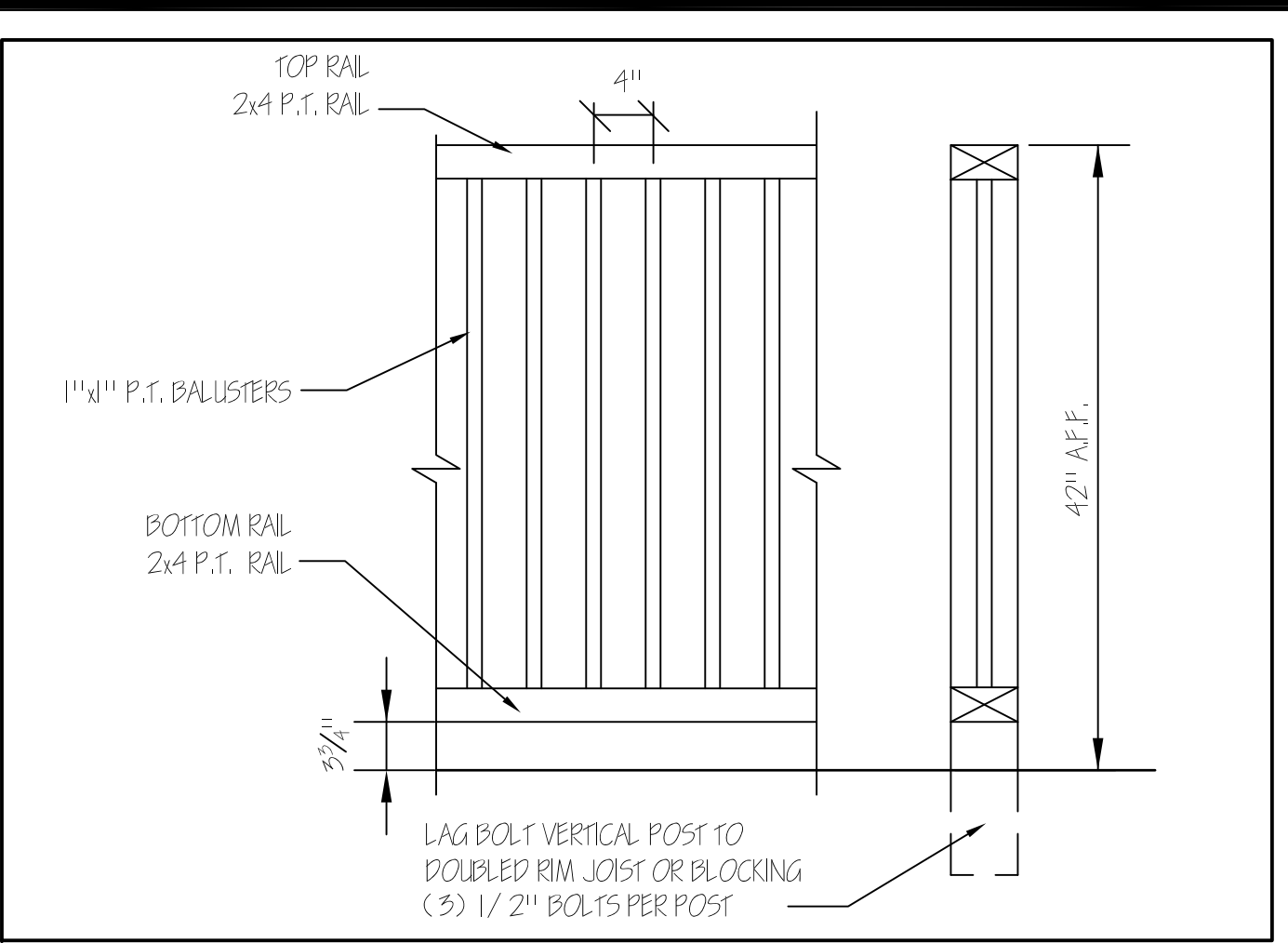
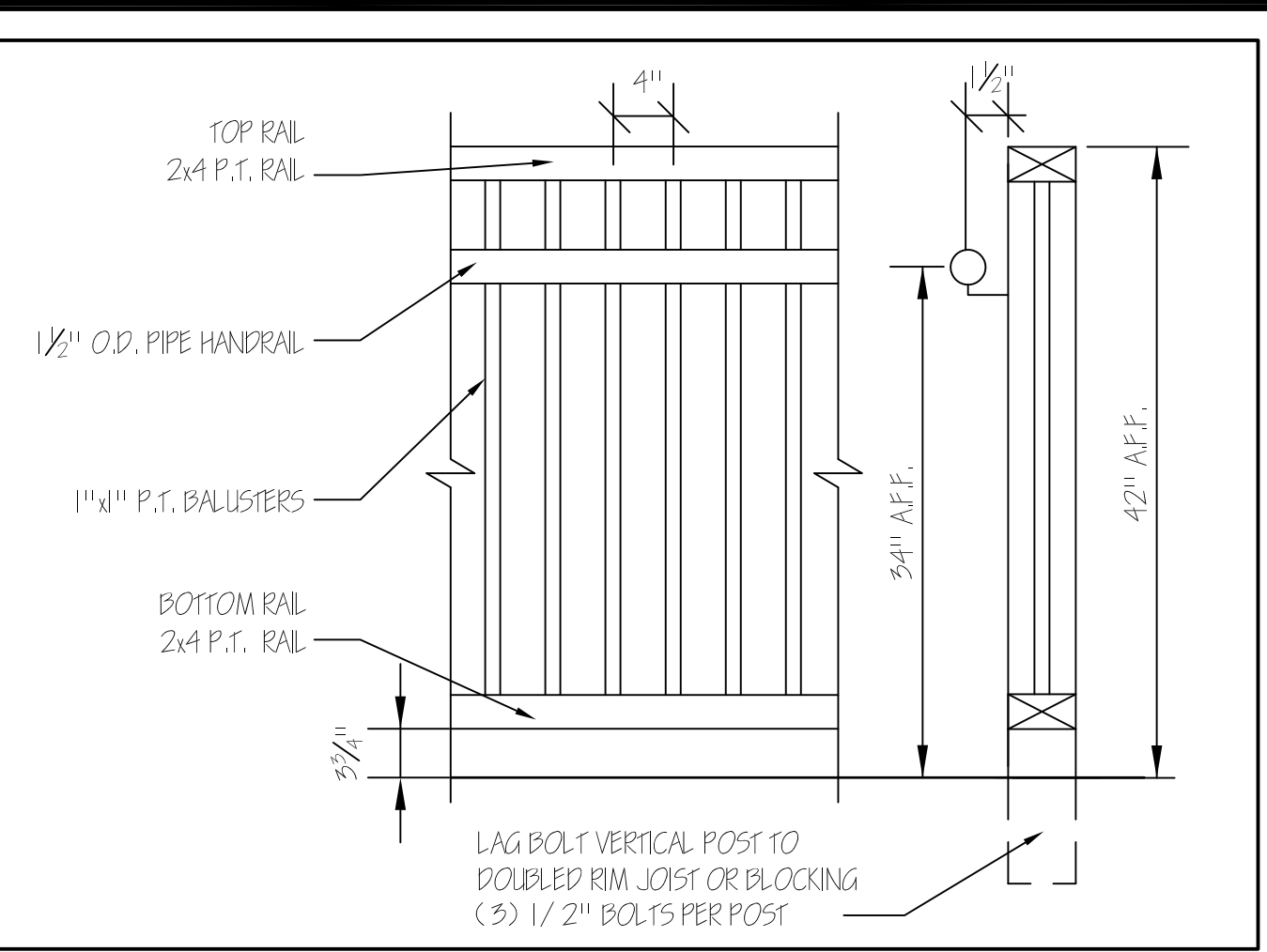


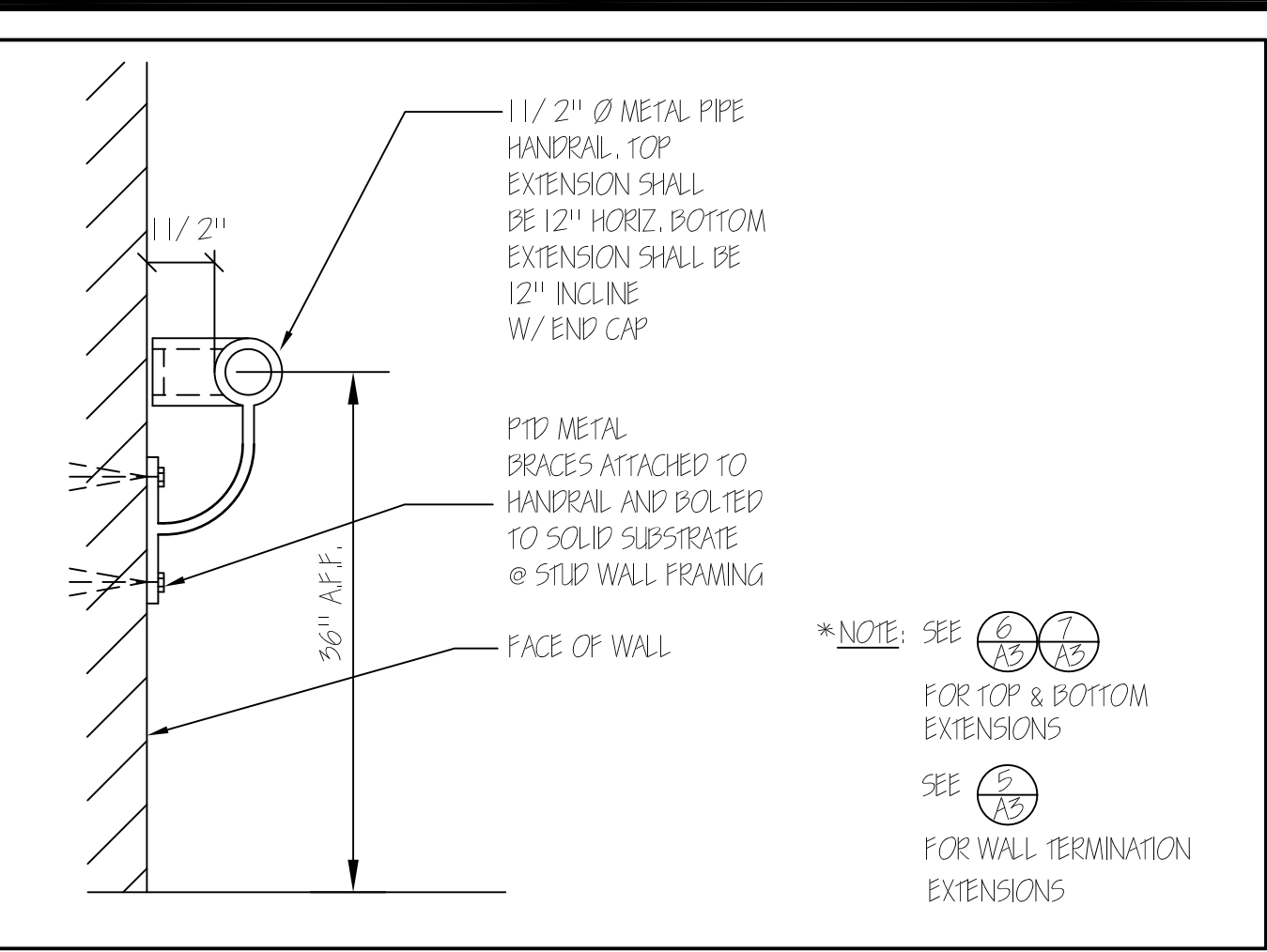
① TYPICAL EXTERIOR STAIR TREAD/ RISER 3" = 1'-0"



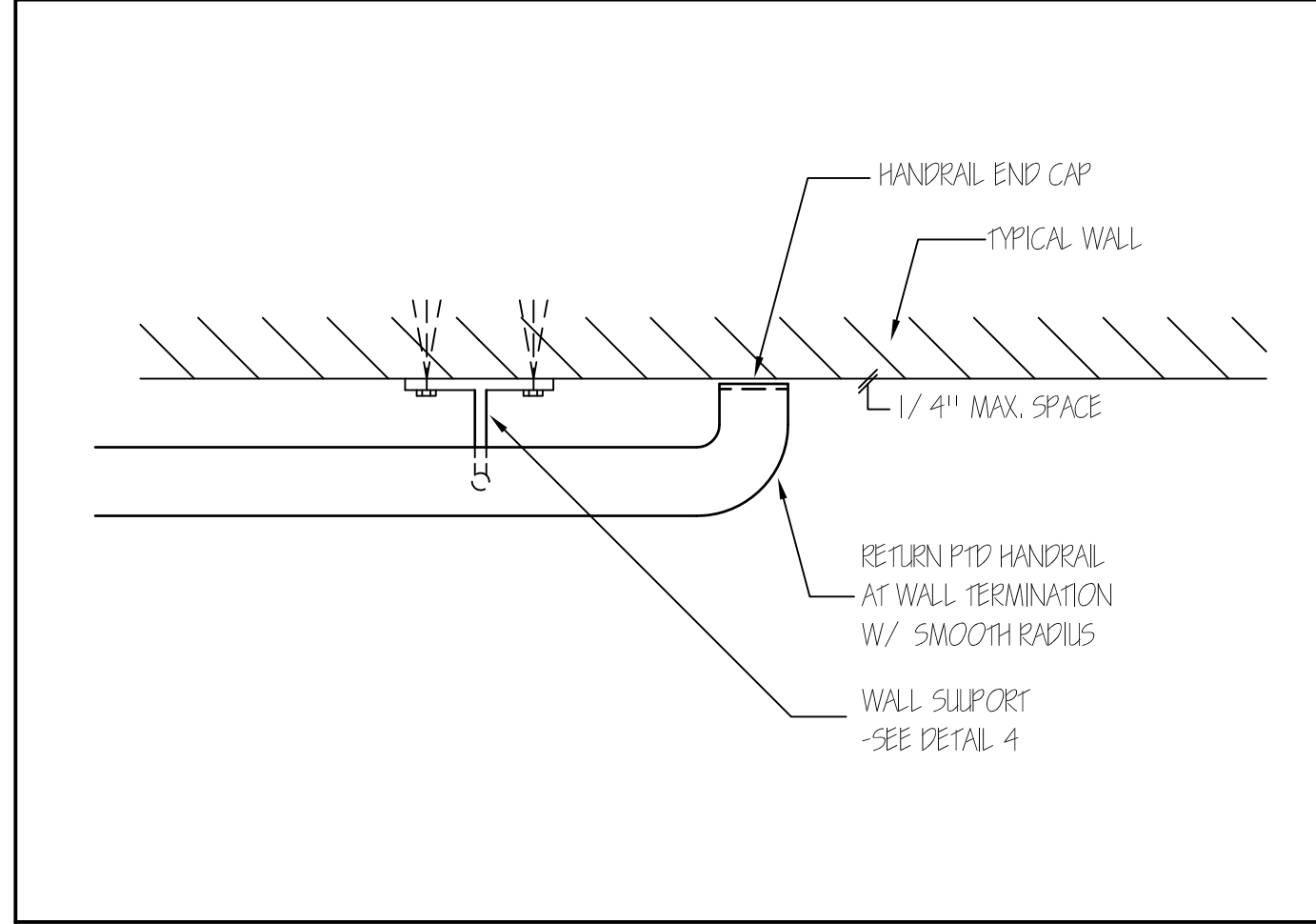
② TYPICAL EXTERIOR GUARDRAIL 3" = 1'-0"



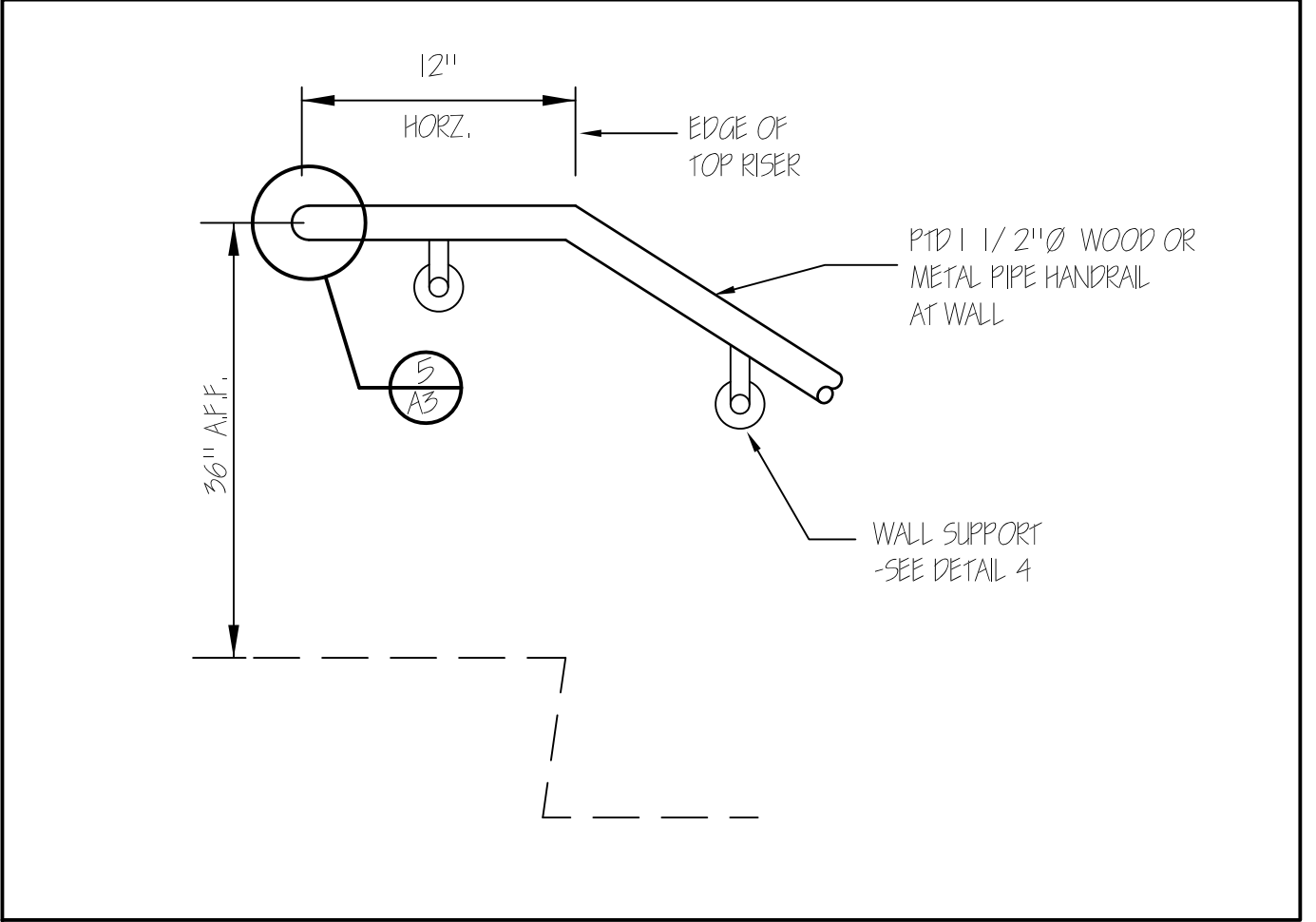
③ TYPICAL EXTERIOR GUARDRAIL/HANDRAIL 3" = 1'-0"



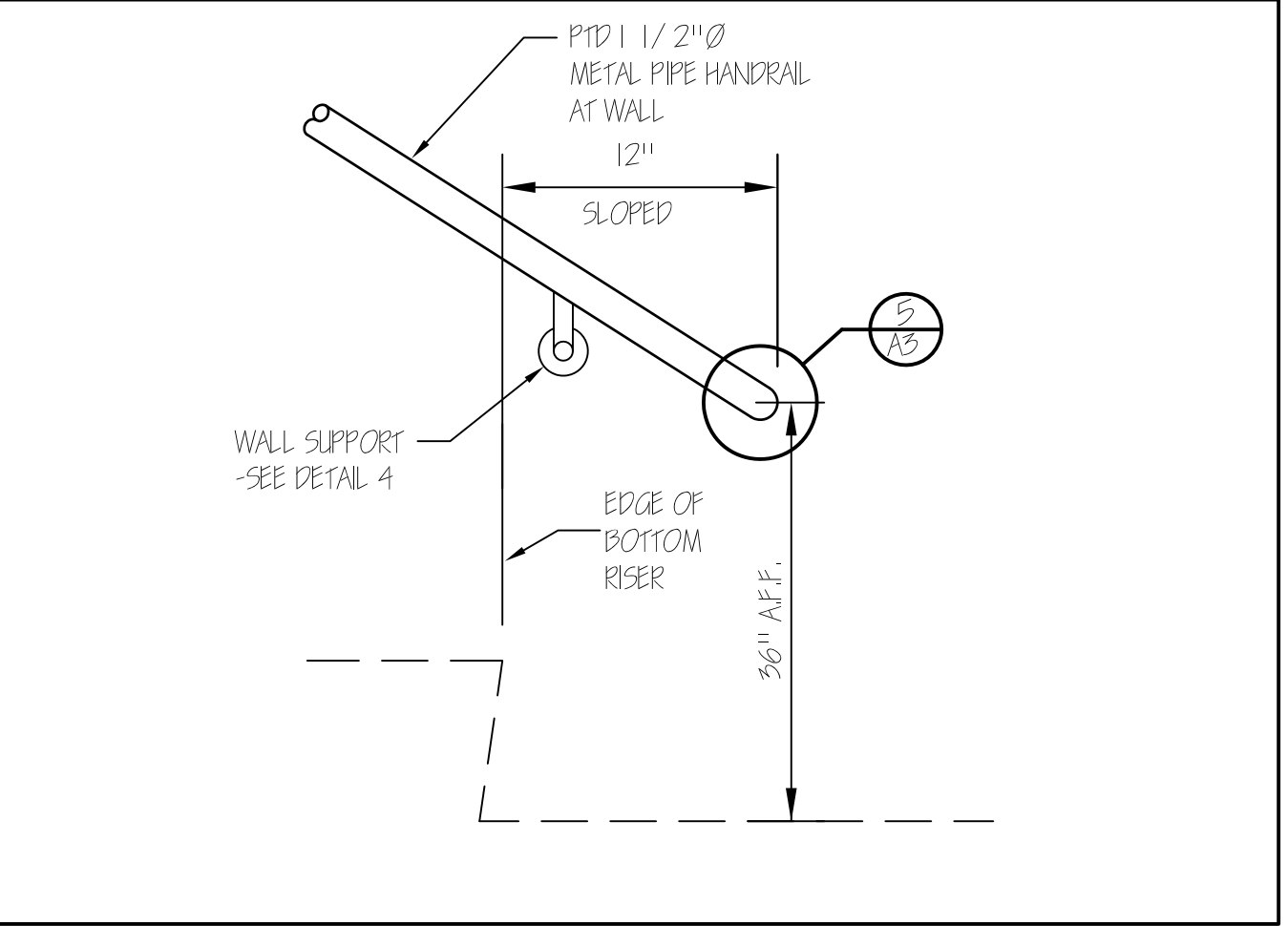
④ TYPICAL HANDRAIL (WALL CONDITION SHOWN) 3" = 1'-0"



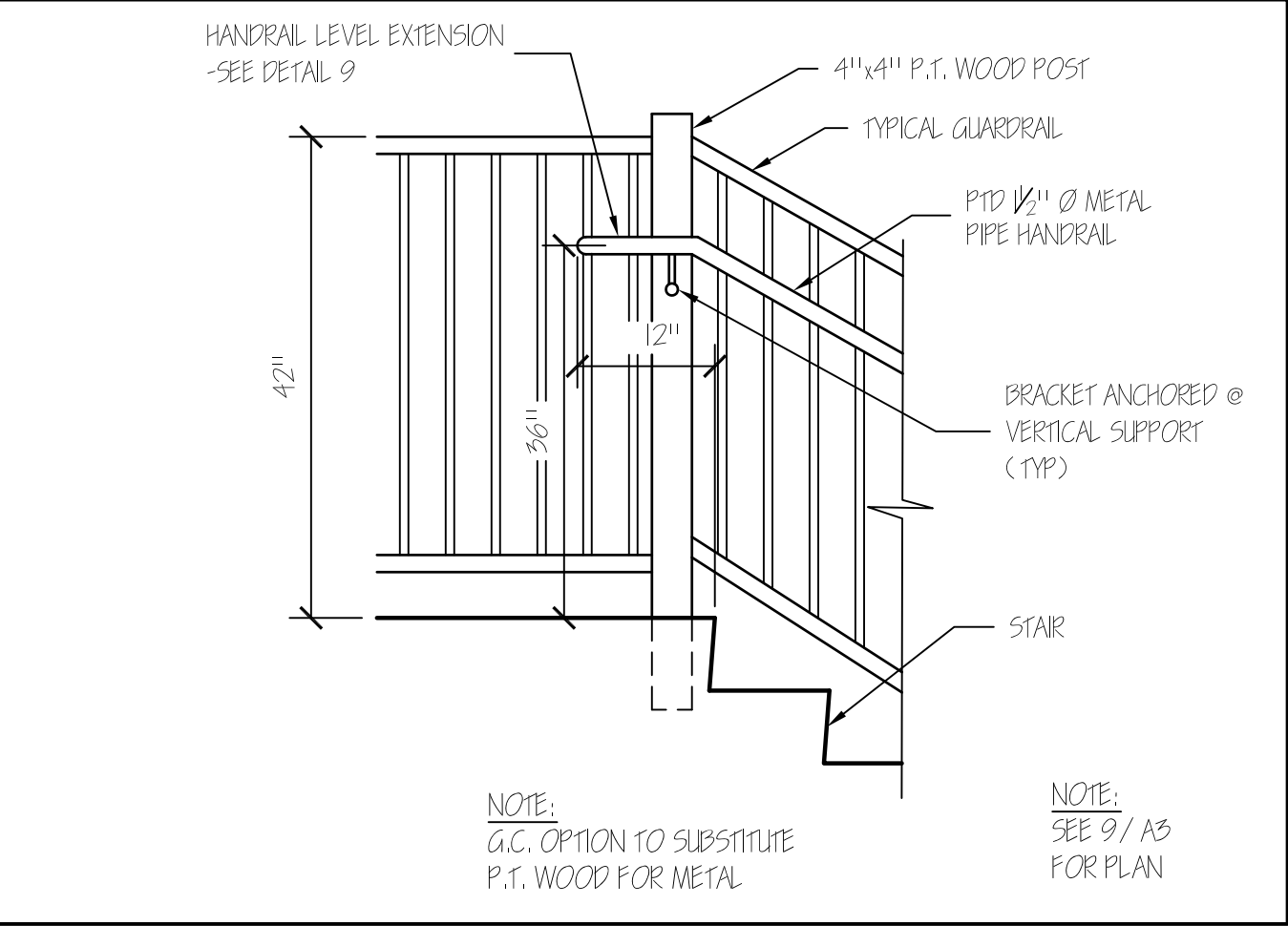
⑤ PLAN-HANDRAIL TERMINATION AT WALL 3" = 1'-0"



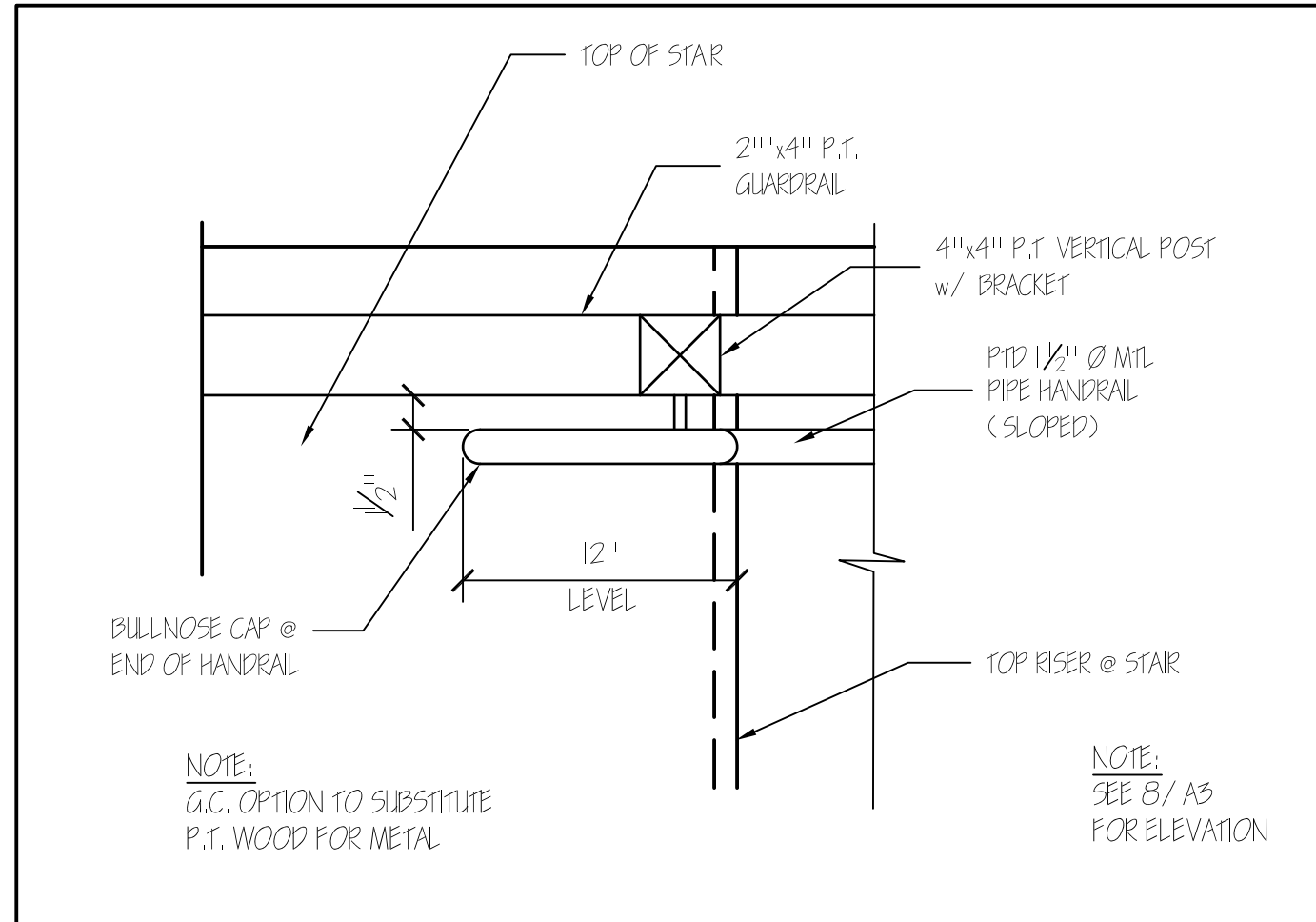
⑥ WALL HANDRAIL EXTENSION @ TOP 3" = 1'-0"



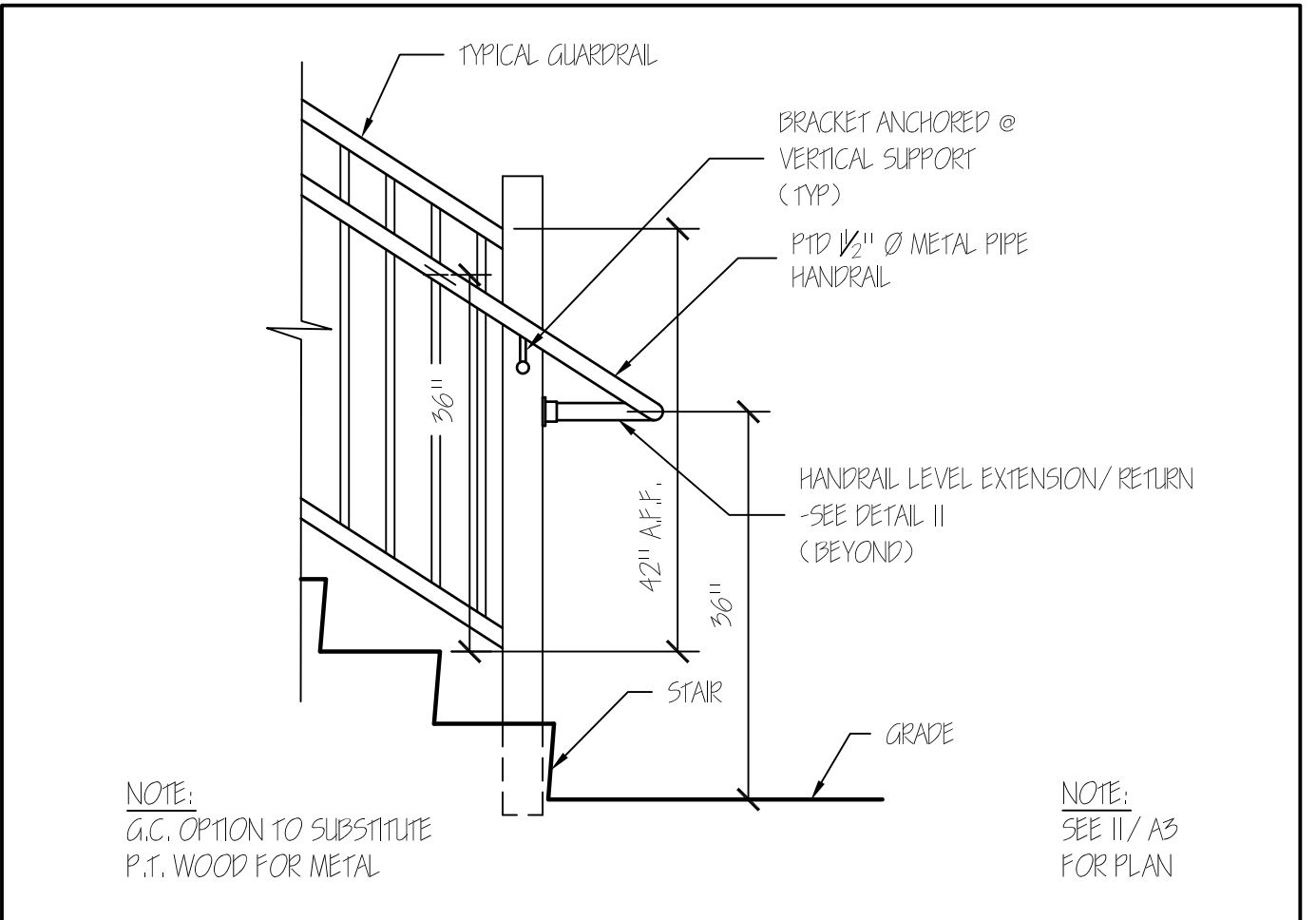
⑦ WALL HANDRAIL EXTENSION @ BOTTOM 3" = 1'-0"



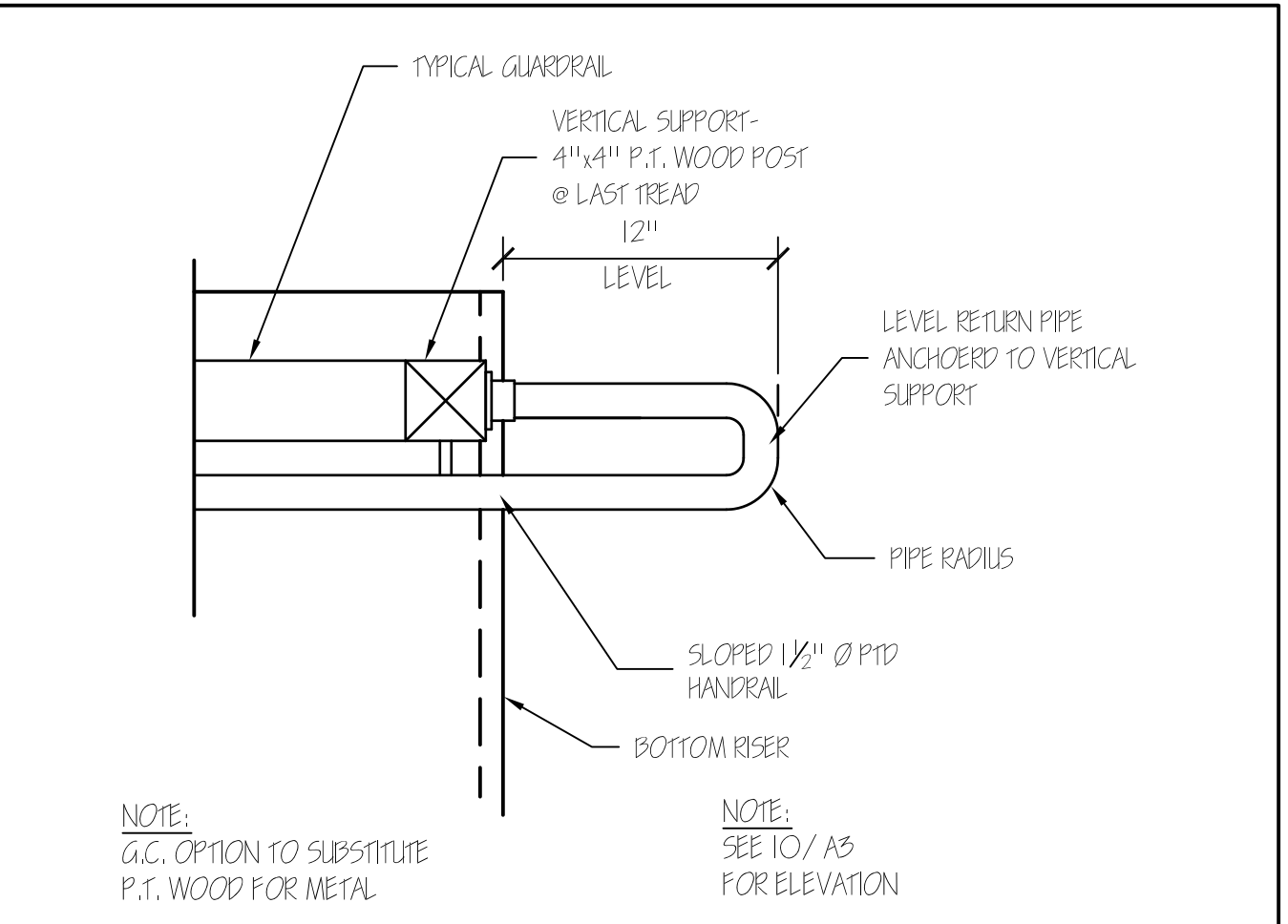
⑧ HANDRAIL TOP EXT. @ GUARDRAIL 3/4" = 1'-0"



⑨ PLAN - TOP HANDRAIL EXTENSION 1 1/2" = 1'-0"



⑩ HANDRAIL BOTTOM EXTENSION 3/4" = 1'-0"



⑪ PLAN-HANDRAIL EXTENSION 1 1/2" = 1'-0"

50 WILMOT STREET	
MORIN DRAFTING 318-1177	
50 WILMOT STREET, L.L.C. 477 CONGRESS STREET PORTLAND, MAINE	
DECK & STAIR DETAILS	
DRAWN: J. MORIN	A7
SCALE: AS NOTED	
DATE: 04-26-2016	
PLAN NO:	