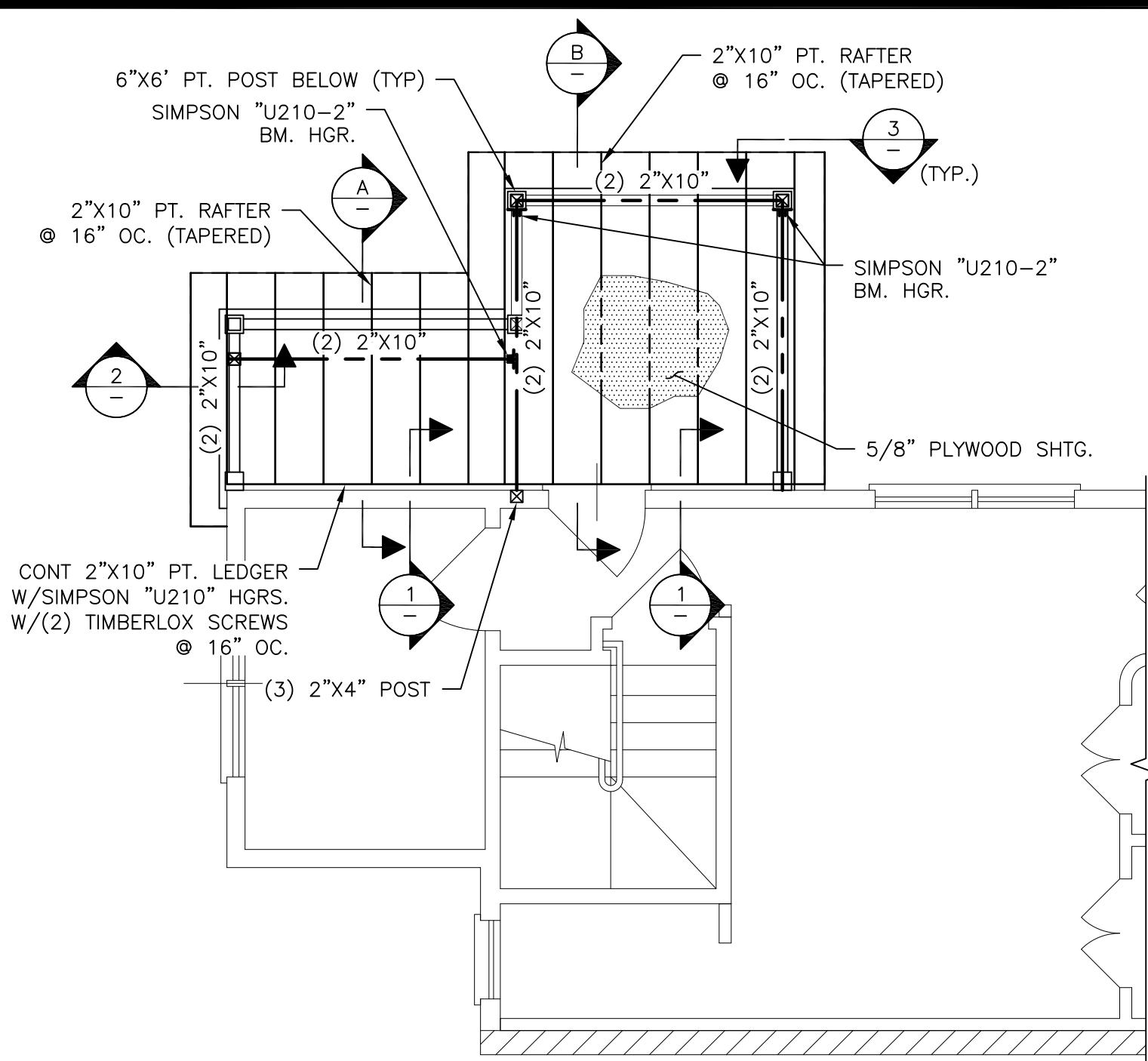
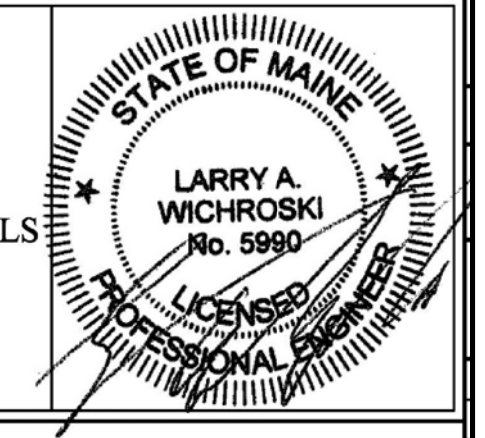
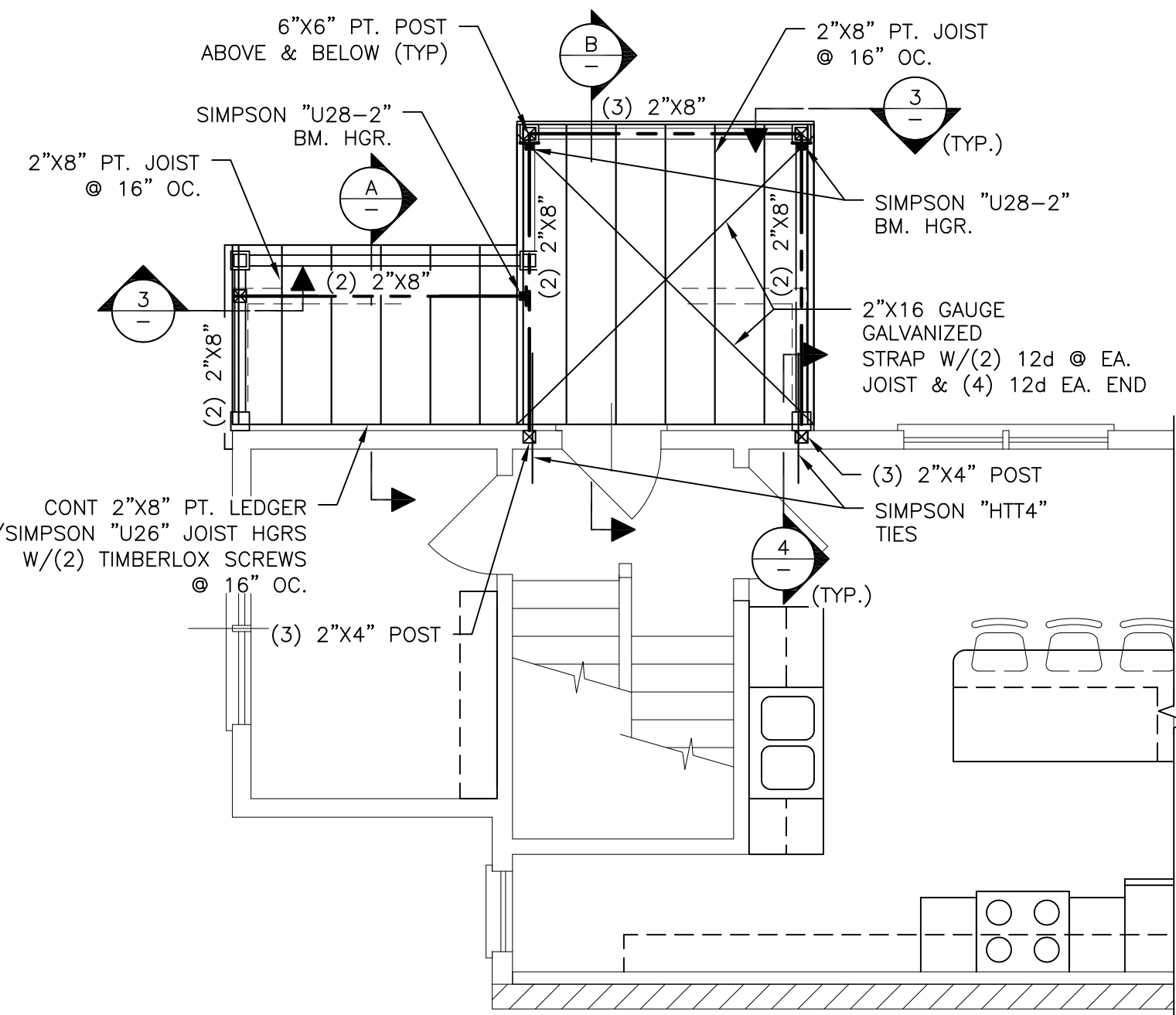


Engineering Review of Structural Framing System Only.

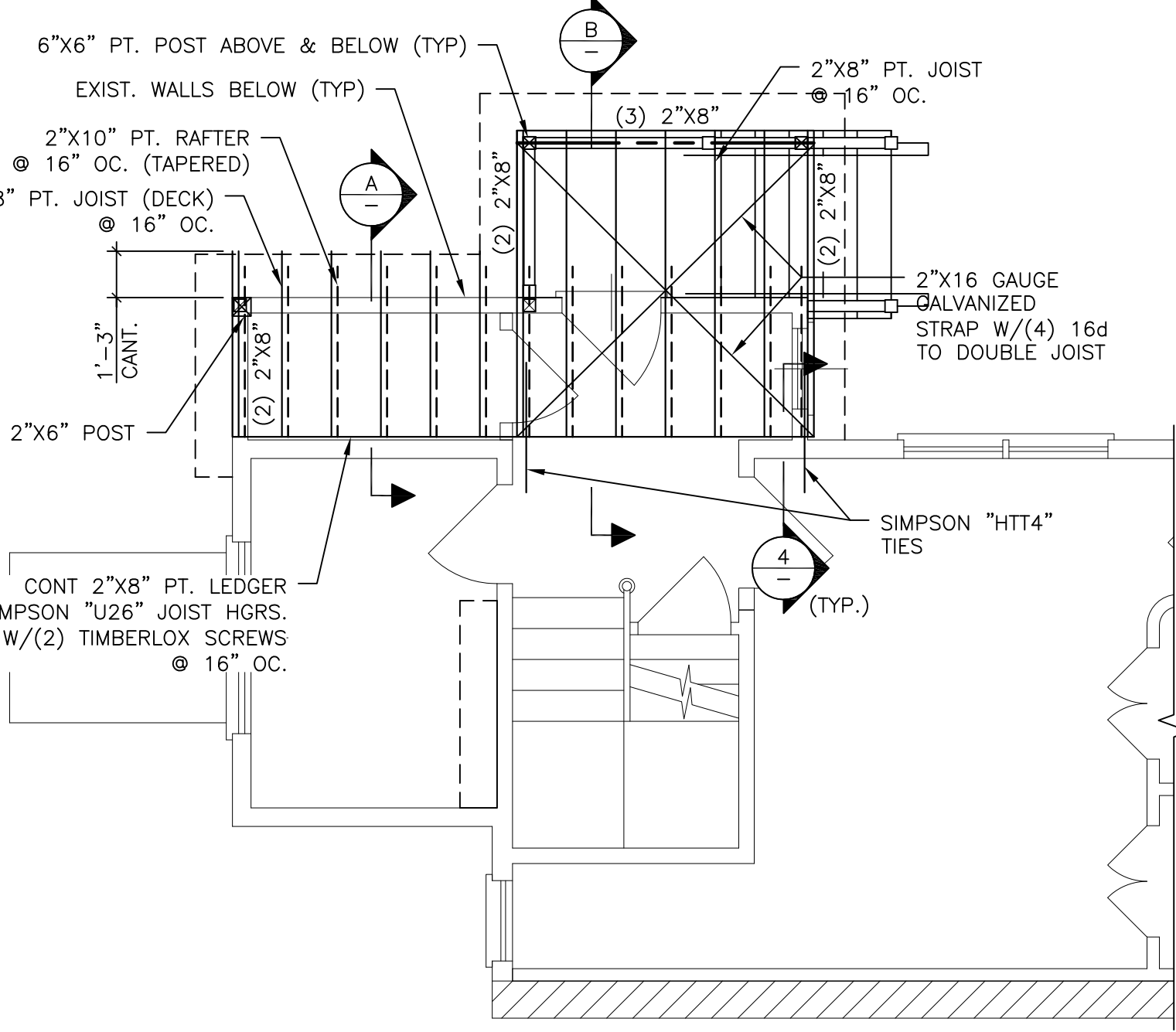
ENGINEERING DESIGN PROFESSIONALS  
 PO Box 575  
 Freeport, Maine 04032  
 207-865-9505



ROOF FRAMING PLAN

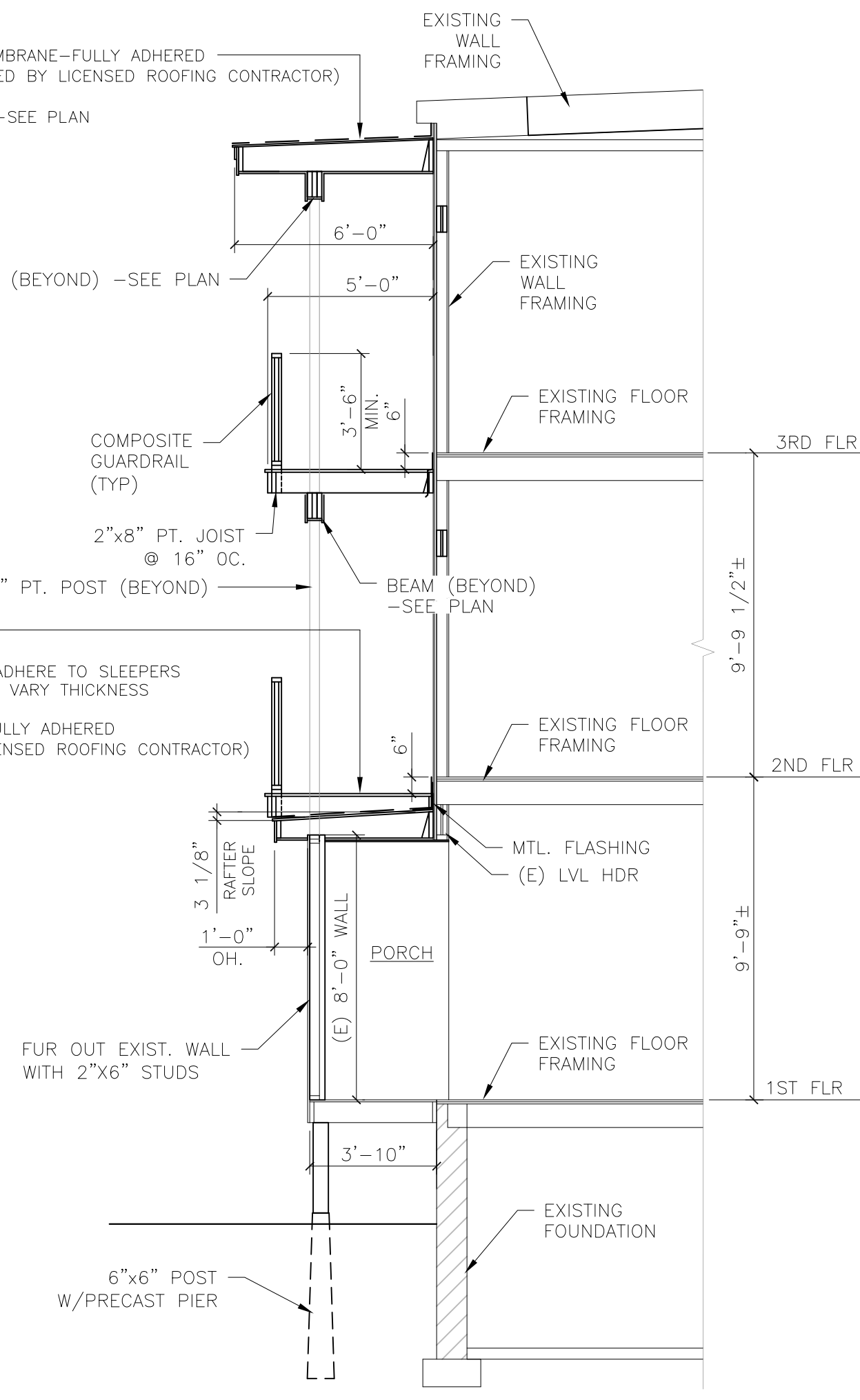


THIRD FLOOR FRAMING PLAN

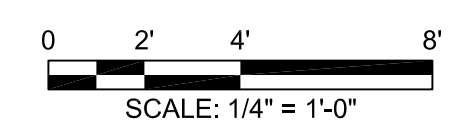


SECOND FLOOR FRAMING PLAN

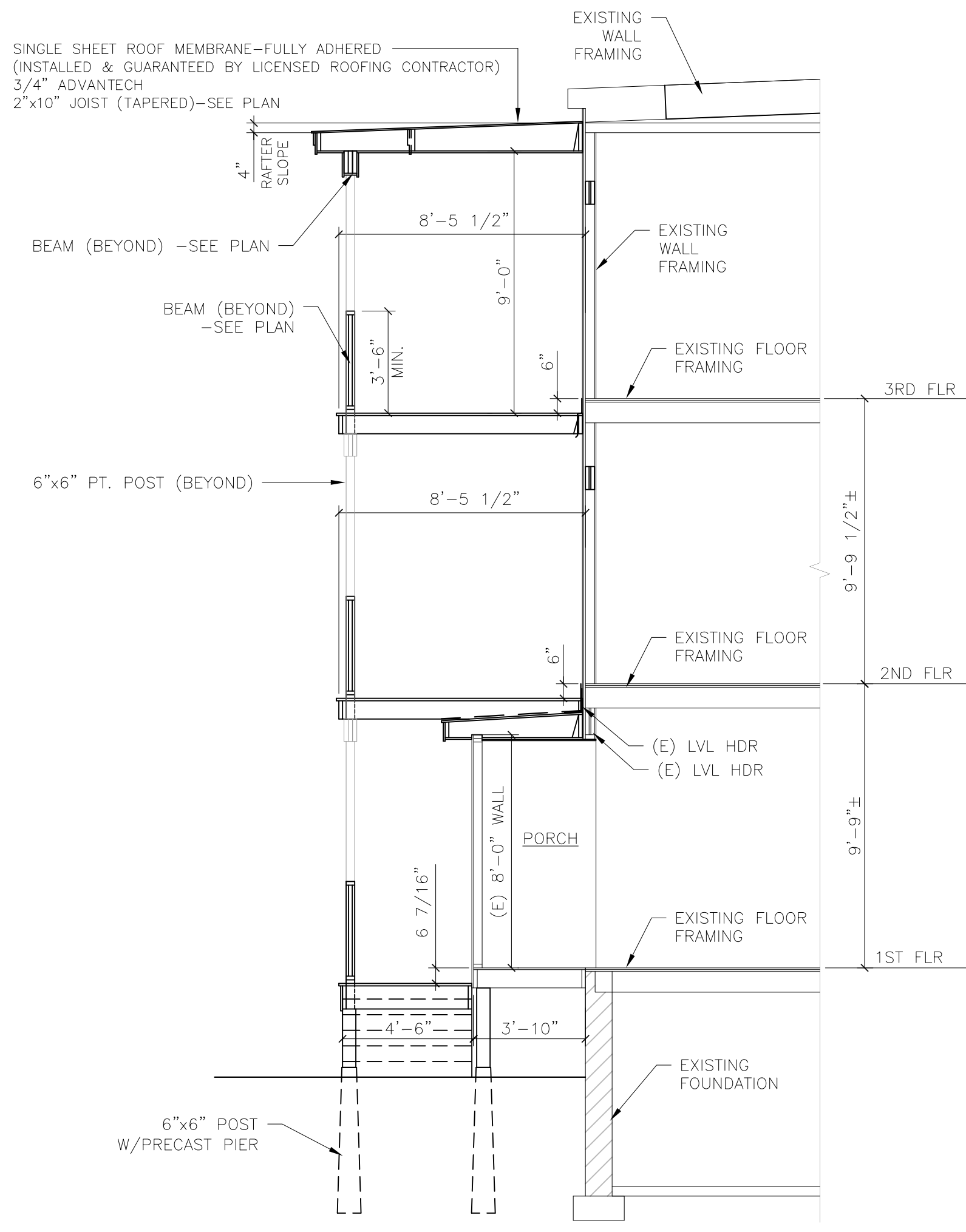
SINGLE SHEET ROOF MEMBRANE—FULLY ADHERED (INSTALLED & GUARANTEED BY LICENSED ROOFING CONTRACTOR)  
 3/4" ADVANTECH  
 2"x10" JOIST (TAPERED)—SEE PLAN



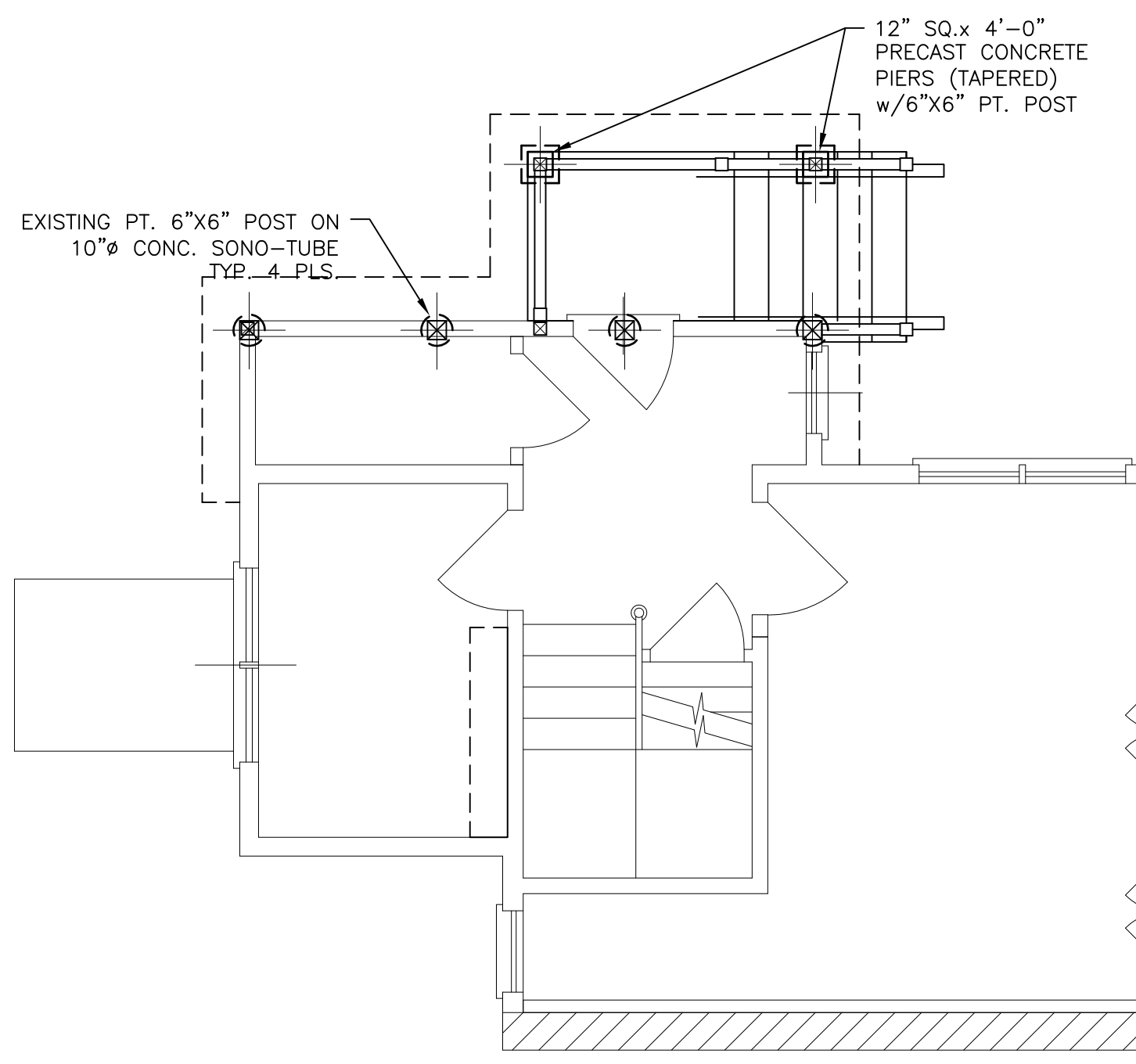
SECTION A-A SCALE: 1/4"=1'-0"



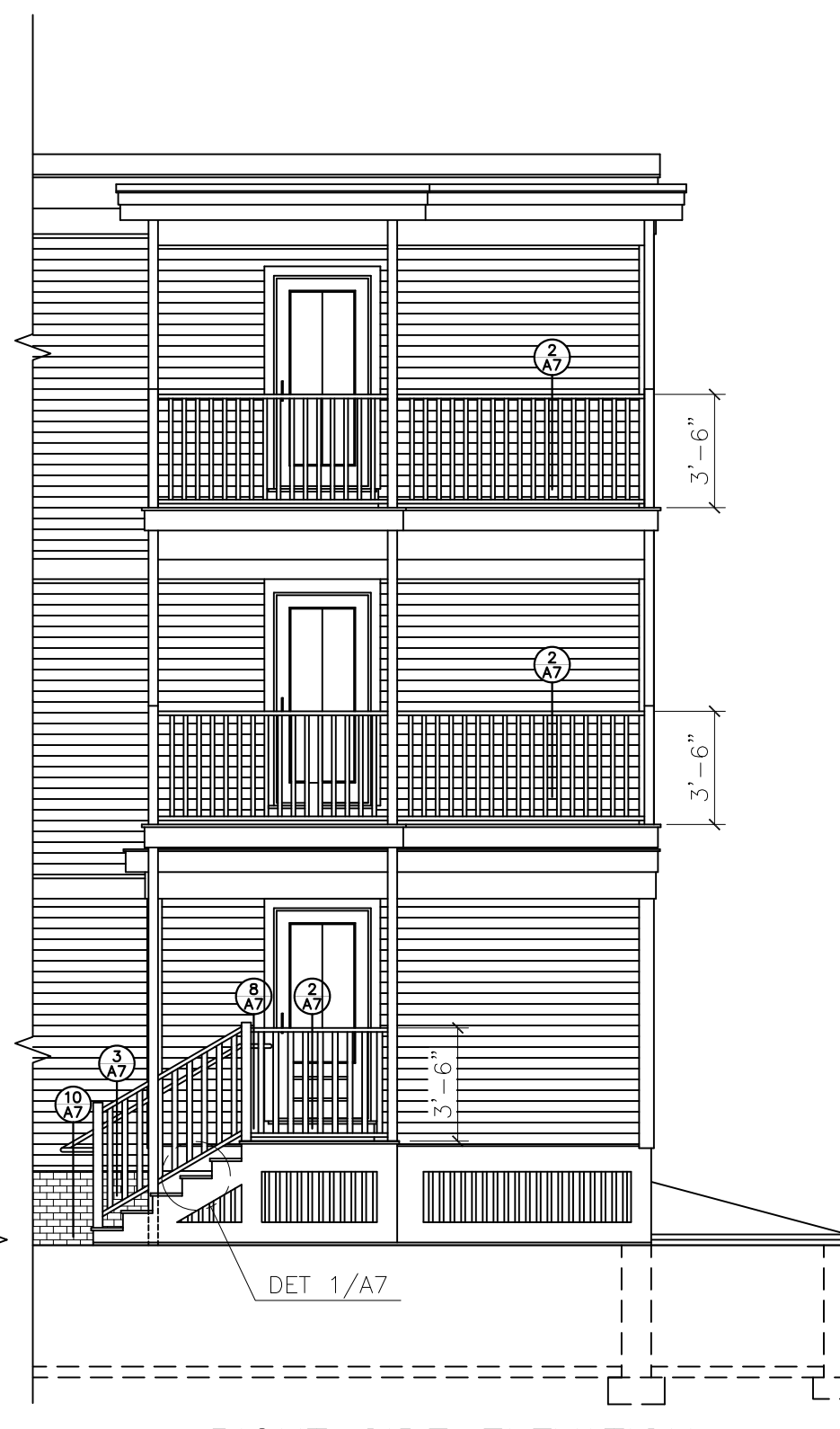
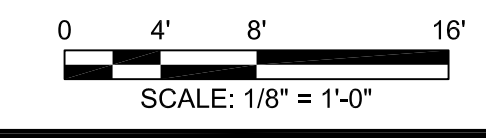
SINGLE SHEET ROOF MEMBRANE—FULLY ADHERED (INSTALLED & GUARANTEED BY LICENSED ROOFING CONTRACTOR)  
 3/4" ADVANTECH  
 2"x10" JOIST (TAPERED)—SEE PLAN



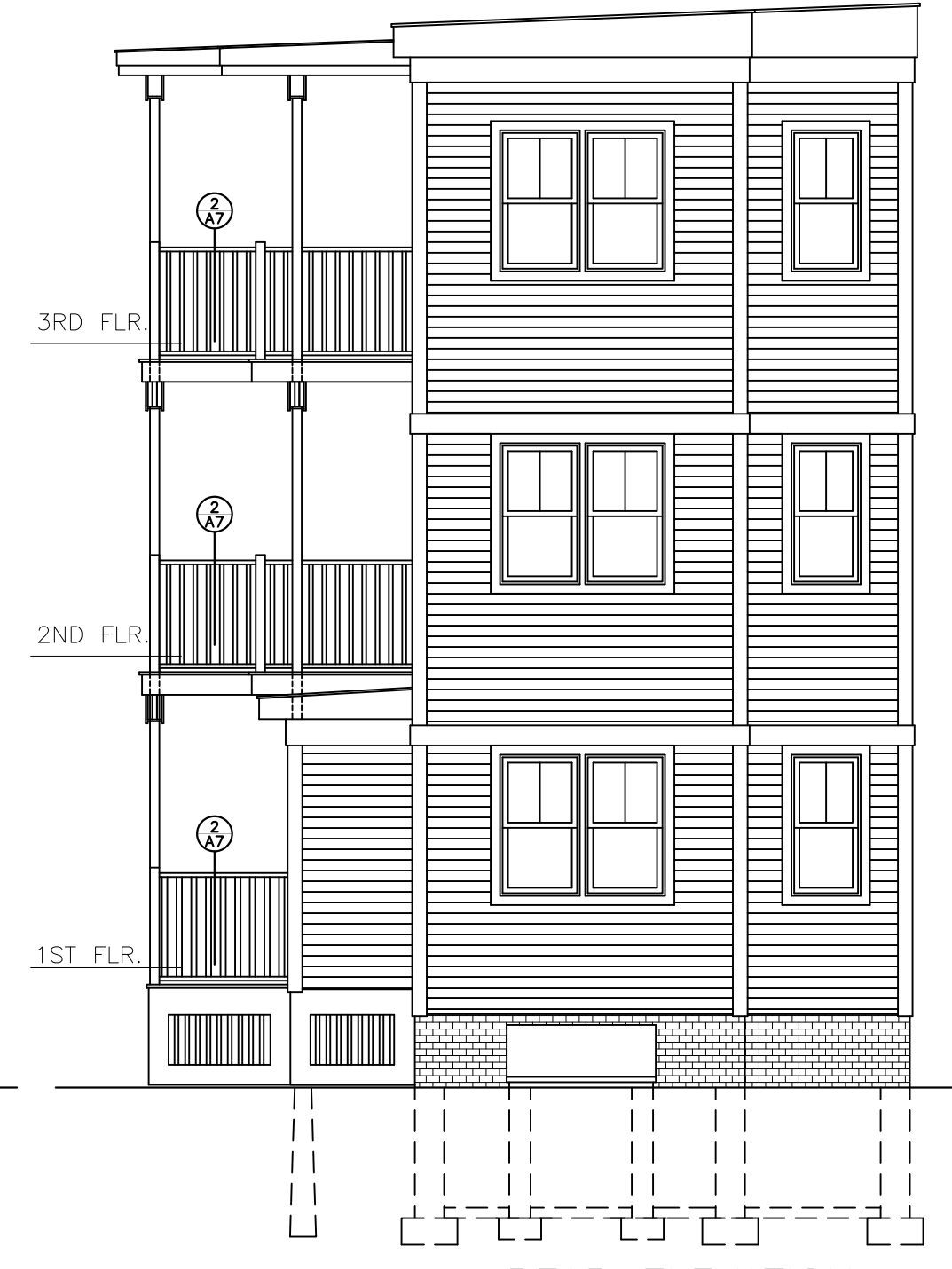
SECTION B-B SCALE: 1/4"=1'-0"



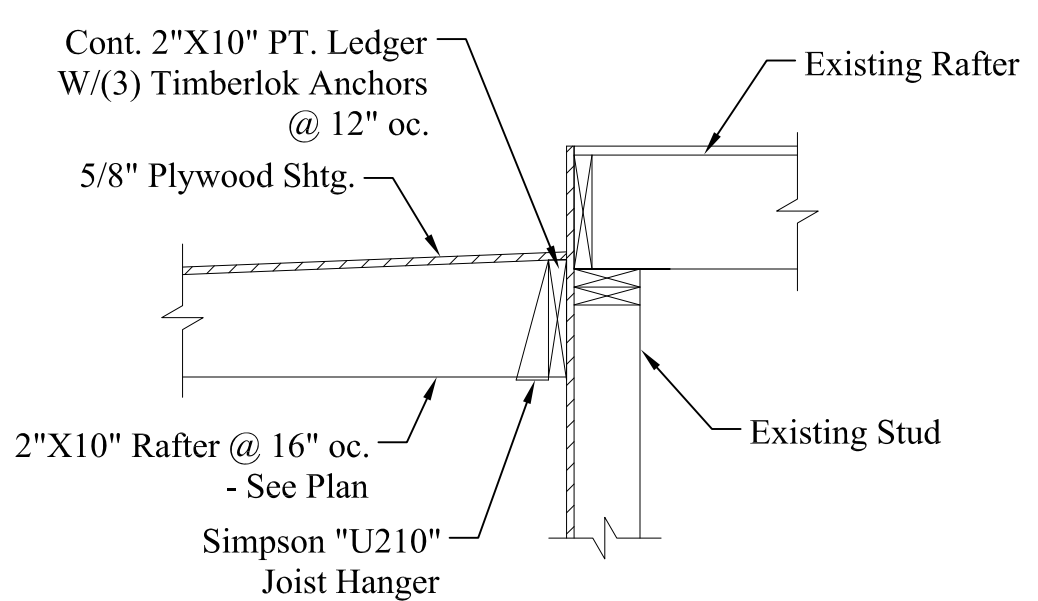
FOUNDATION PLAN



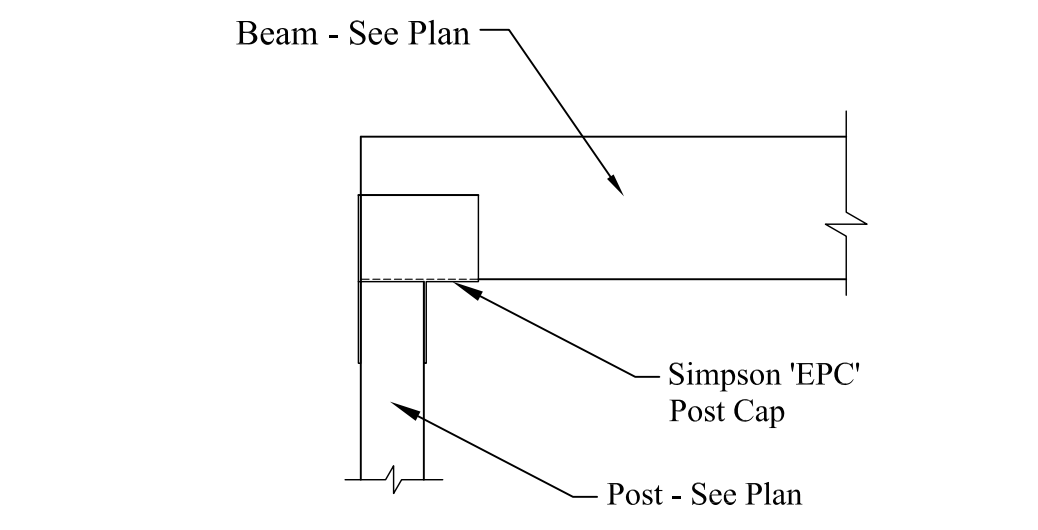
RIGHT SIDE ELEVATION



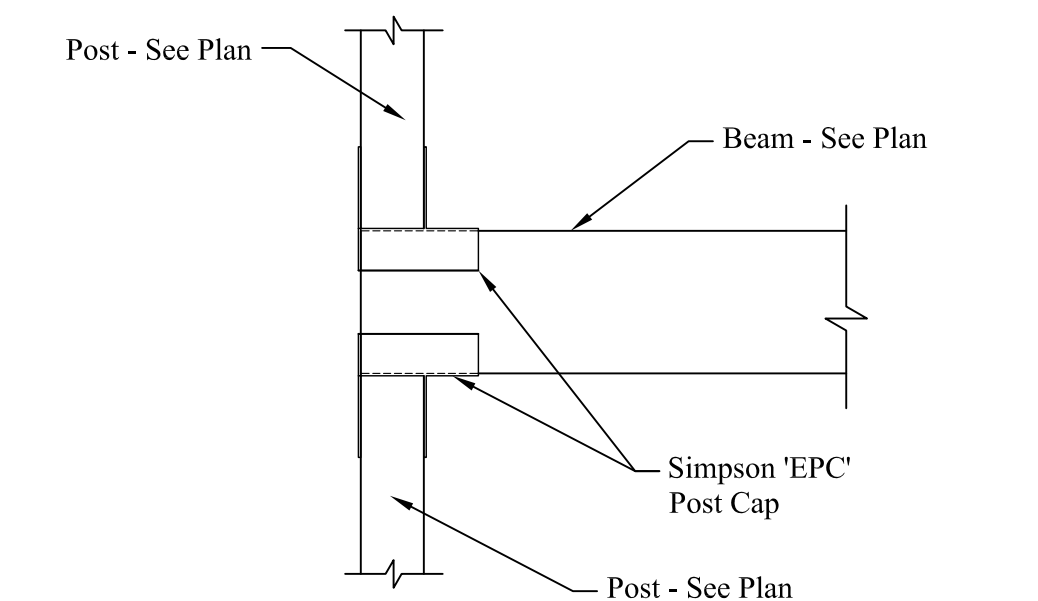
REAR ELEVATION



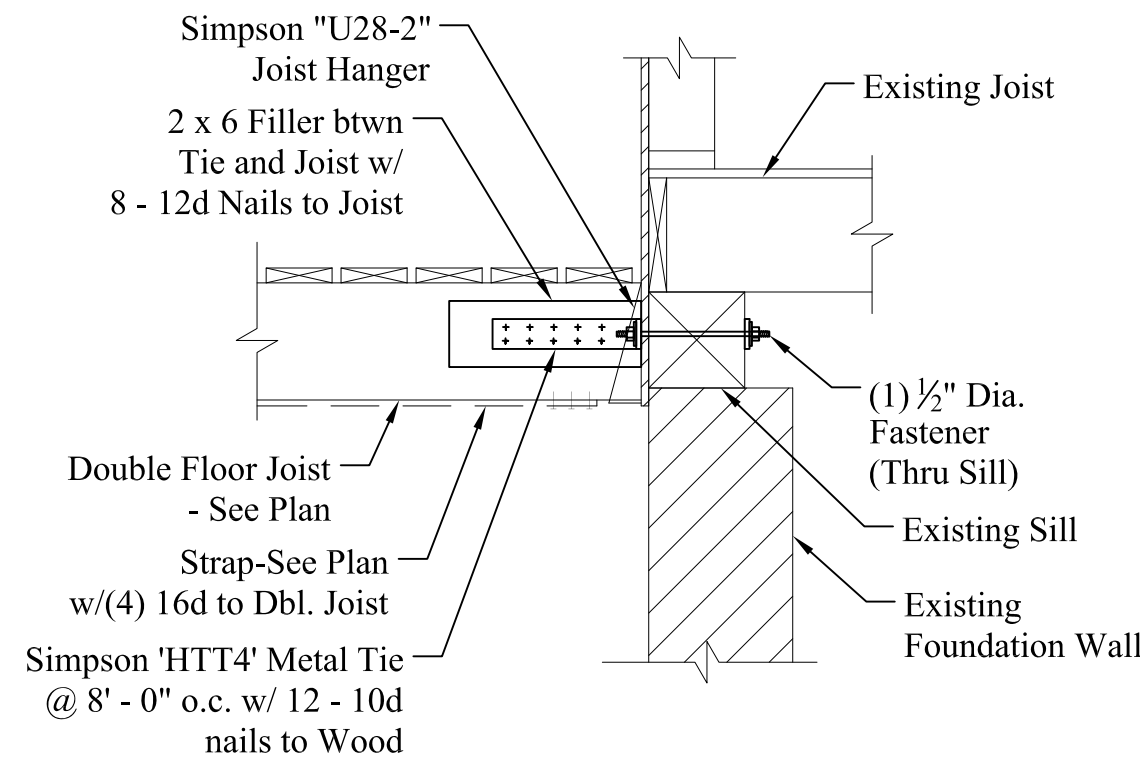
1 RAFTERS @ EXIST. WALL  
 Scale: 3/4" = 1'-0"



2 WOOD BM. to WOOD POST CONN.  
 Scale: 3/4" = 1'-0"



3 POST to BEAM to POST CONN.  
 Scale: 3/4" = 1'-0"



4 FLOOR TIES @ EXIST. WALL  
 Scale: 3/4" = 1'-0"

50 WILMOT STREET	
MORIN DRAFTING 318-1177	
50 WILMOT STREET, L.L.C. 477 CONGRESS STREET PORTLAND, MAINE	
DECK PLAN & SECTIONS	
DRAWN: J. MORIN	A6
SCALE: 1/4"=1'-0"	
DATE: 04-26-2015	
PLAN NO:	