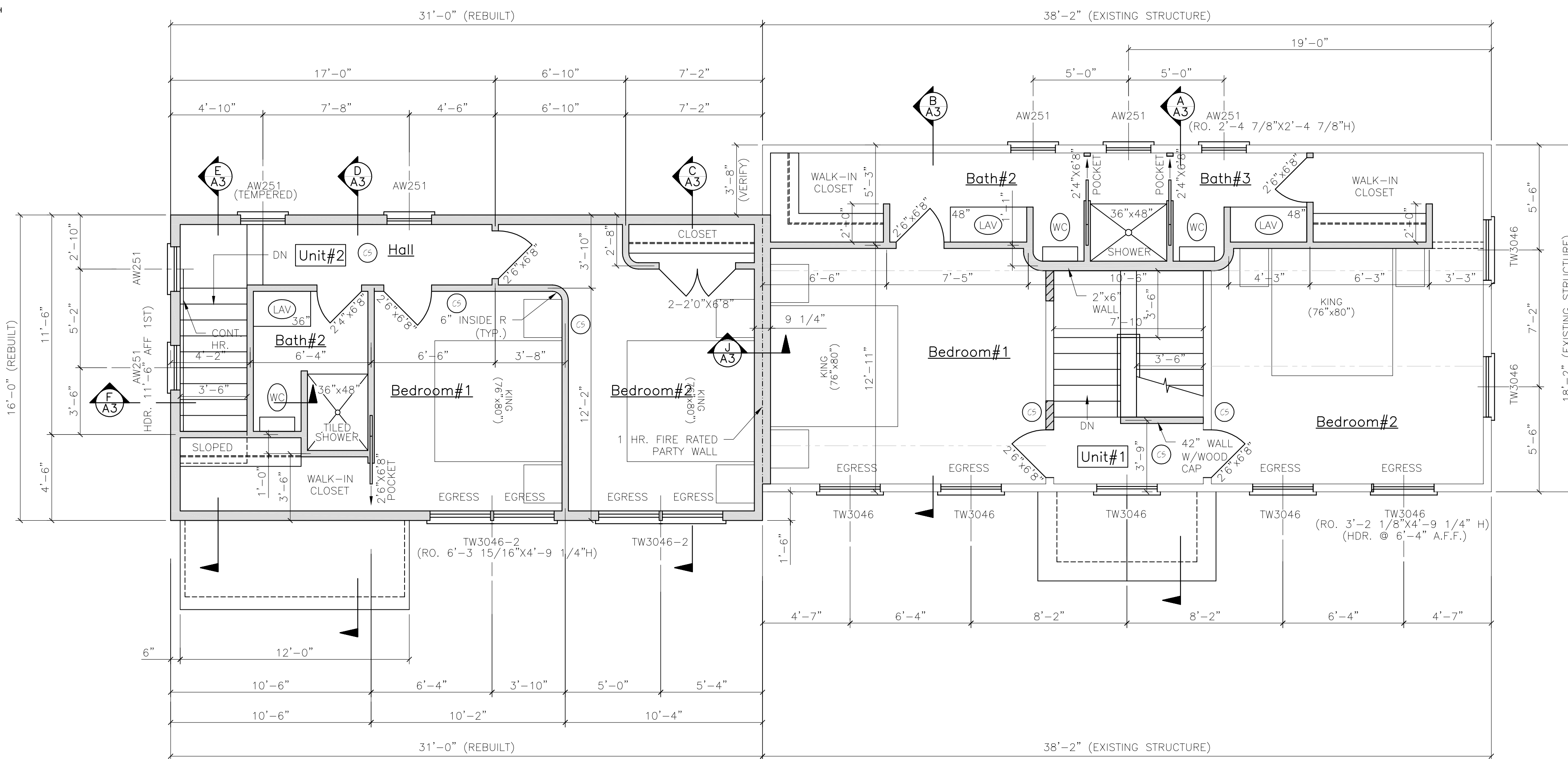
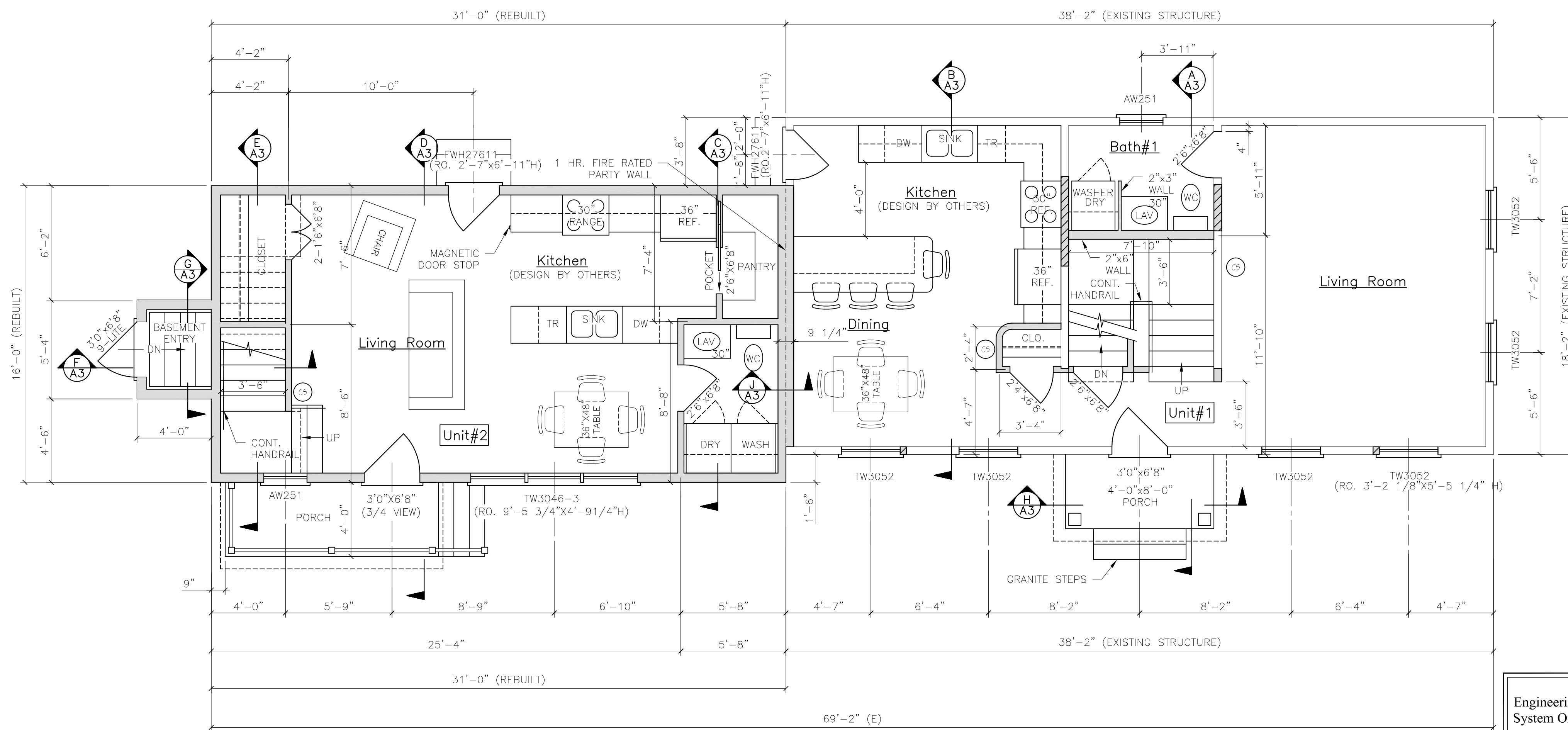
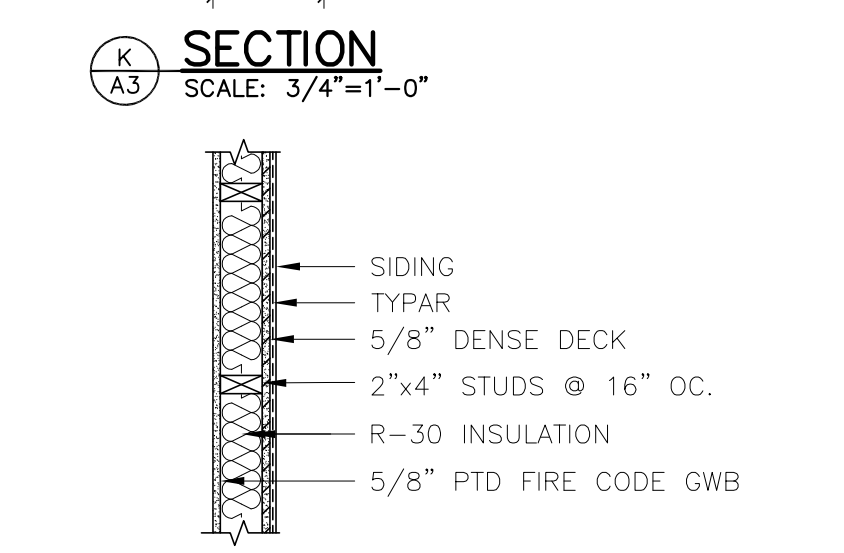
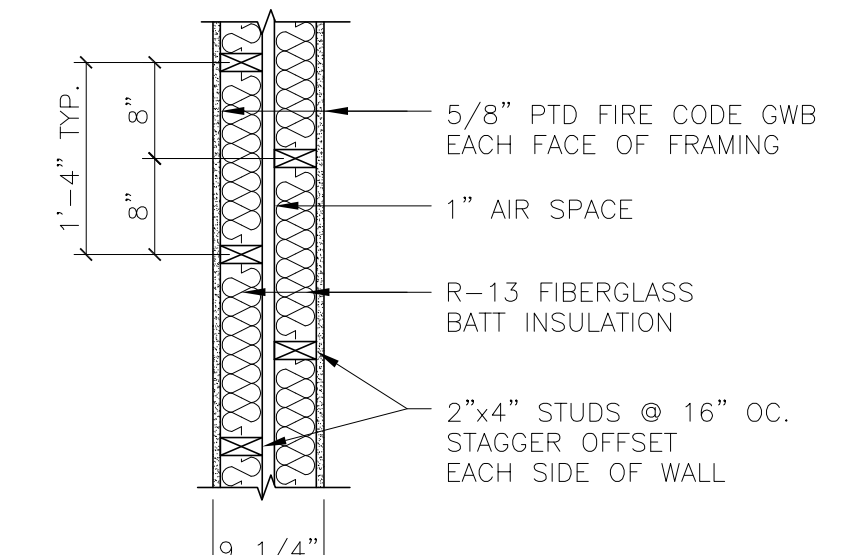


ALL DRAWINGS, PLANS, SKETCHES ETC. ARE PROVIDED TO OUR CLIENTS BASED UPON INFORMATION PROVIDED BY THE CLIENT AND DRAWN IN ACCORDANCE WITH COMMON BUILDING PRACTICES. NONE OF THE EMPLOYEES OF MORIN DRAFTING ARE REGISTERED ARCHITECTS, STRUCTURAL ENGINEERS OR PROFESSIONAL LAND SURVEYORS. ALL CODES SHALL BE REVIEWED AND APPROVED BY APPROPRIATE REGISTERED PROFESSIONAL, IF NOT, IT SHALL BE THE RESPONSIBILITY OF THE CONTRACTOR OR OWNER. ALL NOTING, SPECIFICATIONS AND DIMENSIONS SHALL BE VERIFIED BY CLIENT AND/OR CONTRACTOR BEFORE WORK BEGINS. ALL DIMENSIONS SHALL BE BROUGHT TO THE ATTENTION OF MORIN DRAFTING AFTER REVIEW. IF PLANS ARE NOT VERIFIED BY CLIENT AND/OR CONTRACTOR BEFORE CONSTRUCTION BEGINS, MORIN DRAFTING SHALL BE HELD HARMLESS. IN ALL EVENTS DAMAGES SHALL BE LIMITED TO THE COST OF THE PLANS. MORIN DRAFTING ASSUMES NO LIABILITY FOR CONSTRUCTION DEFECTS, CHANGES AND/OR REVISIONS TO THE PLANS. ALL PLANS ARE THE PROPERTY OF MORIN DRAFTING.



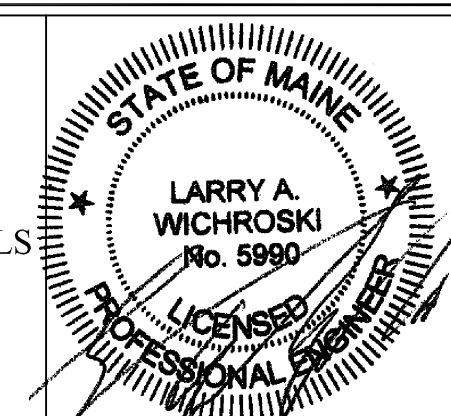
LEGEND	
SYMBOL	DESCRIPTION
	NEW WALL
	NEW WALL/EXISTING WALL W/INFILL
	EXISTING WALL
	THIN LINEWEIGHT DENOTES EXISTING CONDITIONS
	HEAVY LINEWEIGHT DENOTES NEW CONDITIONS
	DEMOLISHED OR REMOVED STRUCTURE OR EQUIPMENT

NFPA LEGEND	
	COMBINATION CARBON MONOXIDE / SMOKE DETECTOR W/ SOUNDER BASE & BATTERY BACK-UP. INTERCONNECTED ALL LOCATIONS WITHIN UNIT.
	1 HR FIRE RATED PARTY WALL
FIRE PROTECTION SYSTEM SHALL BE NFPA 100, COORDINATED WITH CITY OF PORTLAND FIRE DEPARTMENT AND MAINE FIRE MARSHAL'S OFFICE FOR DESIGN CRITERIA & PERMIT REQUIREMENTS	
FIRE EXTINGUISHER LOCATIONS SHALL BE COORDINATED WITH OWNER	



Engineering Review of Structural Framing System Only.

ENGINEERING DESIGN PROFESSIONALS  
PO Box 575  
Freeport, Maine 04032  
207-865-9505



56 WILMOT STREET L.L.C.  
477 CONGRESS STREET PORTLAND, MAINE

MORIN DRAFTING 318-1177

56 WILMOT STREET BUILDING #1  
56 WILMOT STREET PORTLAND, MAINE

**FLOOR PLANS**

DRAWN: J. MORIN  
SCALE:  
DATE: 02-13-2016  
PLAN NO:

A2