

TrueAlert™ NON-ADDRESSABLE MULTI-CANDELA AUDIBLE/VISIBLE NOTIFICATION APPLIANCE (ELECTRONIC HORN W/STROBE)

PRODUCT INFORMATION

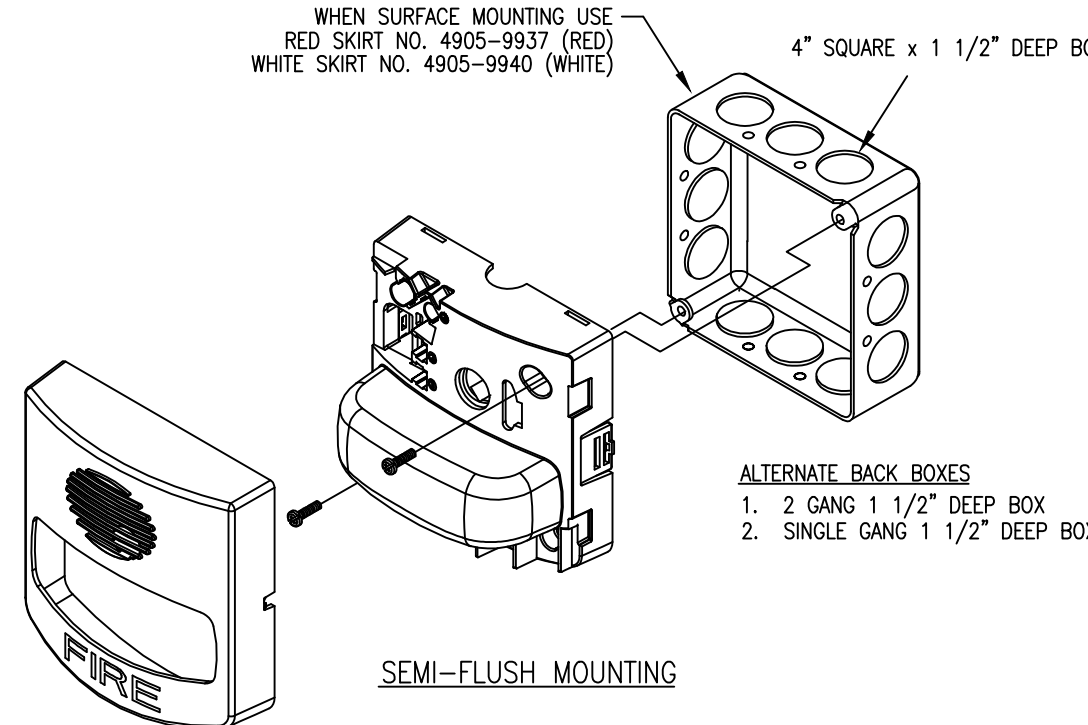
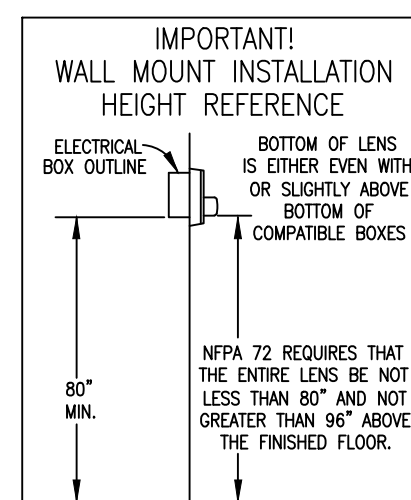
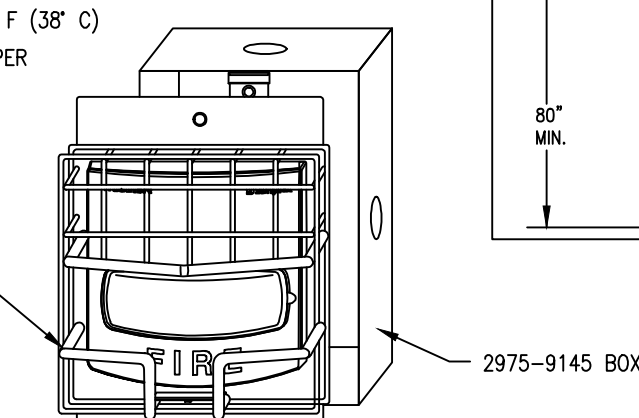
FEATURES:

- CLASS B (STYLE Y) OPERATION REQUIRES CONNECTION TO A COMPATIBLE SMARTSYNCH NAC OR TO SMARTSYNCH CONTROL MODULE (SCM) 4905-9938
- CLASS A (STYLE Z) OPERATION WHEN CONNECTED TO THE 4905-9938 SCM OR 4100U SERIES FIRE ALARM CONTROL PANEL NAC'S

SPECIFICATIONS:

- HOUSING DIMENSIONS (INCLUDING LENS): 5 1/8" H x 5" W x 2 3/4" D
- TEMPERATURE RANGE: 32 F TO 122 F (0 C TO 50 C)
- HUMIDITY RANGE: 10% TO 93% NON-CONDENSING AT 100 F (38 C)
- TERMINAL BLOCKS FOR 18 AWG TO 12 AWG; TWO WIRES PER TERMINAL FOR IN/OUT WIRING.

4905-9961 OPTIONAL WIRE GUARD (SHOWN HERE FOR REFERENCE ONLY, CAN BE USED ON OTHER MOUNTING OPTIONS)



HORN

- SOUND OUTPUT CHARACTERISTICS: 2400 TO 3700 Hz SWEET, MODULATED AT 120 Hz RATE

HORN SOUND OUTPUT RATINGS @ 10 FT. (3m)			
VOLTAGE	16 VDC	24 VDC	33 VDC
SOUND TYPE *	STEADY CODED	STEADY CODED	STEADY CODED
REVERBERANT CHAMBER @ 444 TEST	86 dBA	82 dBA	88 dBA
ANECHOIC CHAMBER	82 dBA	81 dBA	84 dBA

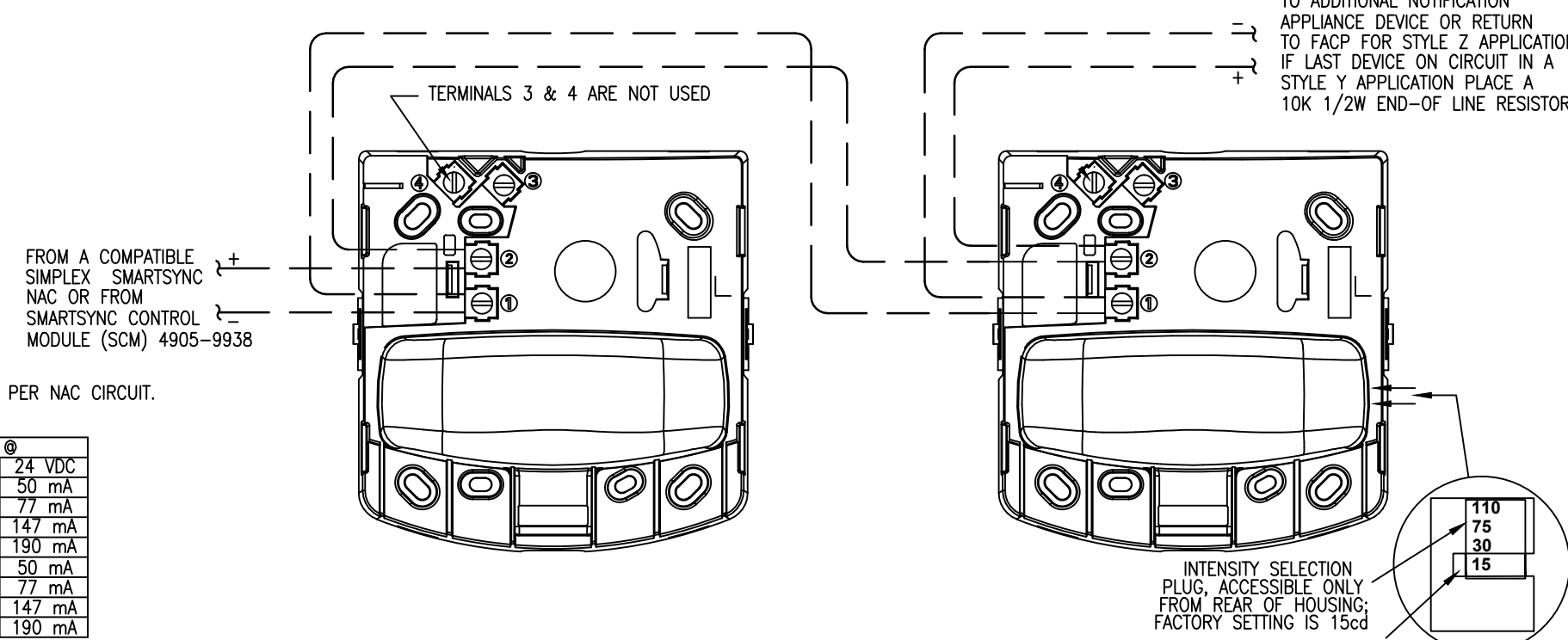
* CODED VALUES ARE TYPICAL OF THE OUTPUT MEASURED WITH A TEMPORAL CODED OR A MARCH TIME CODED PULSE AND WITH A SOUND LEVEL METER READING ON A "FAST" SETTING. UNDER THE SAME TEST CONDITIONS, CODED HORN OUTPUT "PEAK" SOUND LEVEL READINGS ARE TYPICALLY 4 dBA HIGHER.

STROBE

- RATED VOLTAGE RANGE: UL LISTED 24VDC PER UL 1971
- FLASH RATE: 1Hz
- SYNCHRONIZED MODE NAC LOADING: MAXIMUM OF 35 SYNCHRONIZED STROBES PER NAC CIRCUIT.

*CURRENT DRAWS REFLECT STROBE FLASHING AND HORN ON.

MODEL NUMBER	HOUSING COLOR	LETTERING COLOR	STROBE RATING	NAC CURRENT @		
				16 VDC	24 VDC	33 VDC
4906-9127	RED	WHITE	15cd	75 mA	87 mA	93 mA
			30cd	116 mA	133 mA	141 mA
			110cd	285 mA	325 mA	343 mA
4906-9129	WHITE	RED	15cd	75 mA	87 mA	93 mA
			30cd	116 mA	133 mA	141 mA
			110cd	285 mA	325 mA	343 mA



TrueAlert™ NON-ADDRESSABLE MULTI-CANDELA AUDIBLE/VISIBLE NOTIFICATION APPLIANCE WEATHERPROOF

PRODUCT INFORMATION

FEATURES:

- UL LISTED TO STANDARD 1971 FOR INDOOR APPLICATIONS WITH SELECTABLE STROBE INTENSITY SETTINGS
- UL LISTED TO STANDARD 1638 FOR OUTDOOR APPLICATIONS
- UL LISTED TO STANDARD 464
- INDOOR APPLICATIONS ARE ADA COMPATIBLE

- SEPARATE STROBE SYNCHRONIZATION MODULES THAT ARE AVAILABLE FOR CLASS B OR CLASS A OPERATION
- SEPARATE SMARTSYNCH CONTROL MODULES (SCM) THAT PROVIDE CLASS B OR CLASS A OUTPUT FROM CONVENTIONAL NAC INPUTS

SPECIFICATIONS:

- HOUSING DIMENSIONS: 5-1/8" H x 5" W x 2-3/4" D (130mm x 127mm x 70mm)
- UL 1971 LISTED TEMPERATURE RANGE: 32F TO 122F (0C TO 50C)
- UL 1638 LISTED TEMPERATURE RANGE: -31F TO 150F (-35C TO 60C)
- UL 464 LISTED TEMPERATURE RANGE: 32F TO 122F (0C TO 50C)
- UL 1971 LISTED HUMIDITY RANGE: 10% TO 93% NON-CONDENSING AT 100F (38C)
- UL 1638 LISTED HUMIDITY RANGE: UP TO 98% AT 104F (40C)
- TERMINAL BLOCKS FOR 18 AWG TO 12 AWG; TWO WIRES PER TERMINAL FOR IN/OUT WIRING.

WIRING:

1. NOTIFICATION APPLIANCES ARE RATED PER INDIVIDUAL NAMEPLATE LABEL.
2. MAINTAIN CORRECT POLARITY ON TERMINAL CONNECTIONS. DO NOT LOOP WIRES UNDER TERMINALS.
3. ALL NAC WIRING CONNECTIONS ARE SUPERVISOR AND POWER-LIMITED.
4. SEE INSTALLATION INSTRUCTIONS (579-857) FOR ADDITIONAL INFORMATION.

AUDIBLE:

- RATED VOLTAGE RANGE: UL LISTED: 16 VDC TO 33 VDC PER UL 464

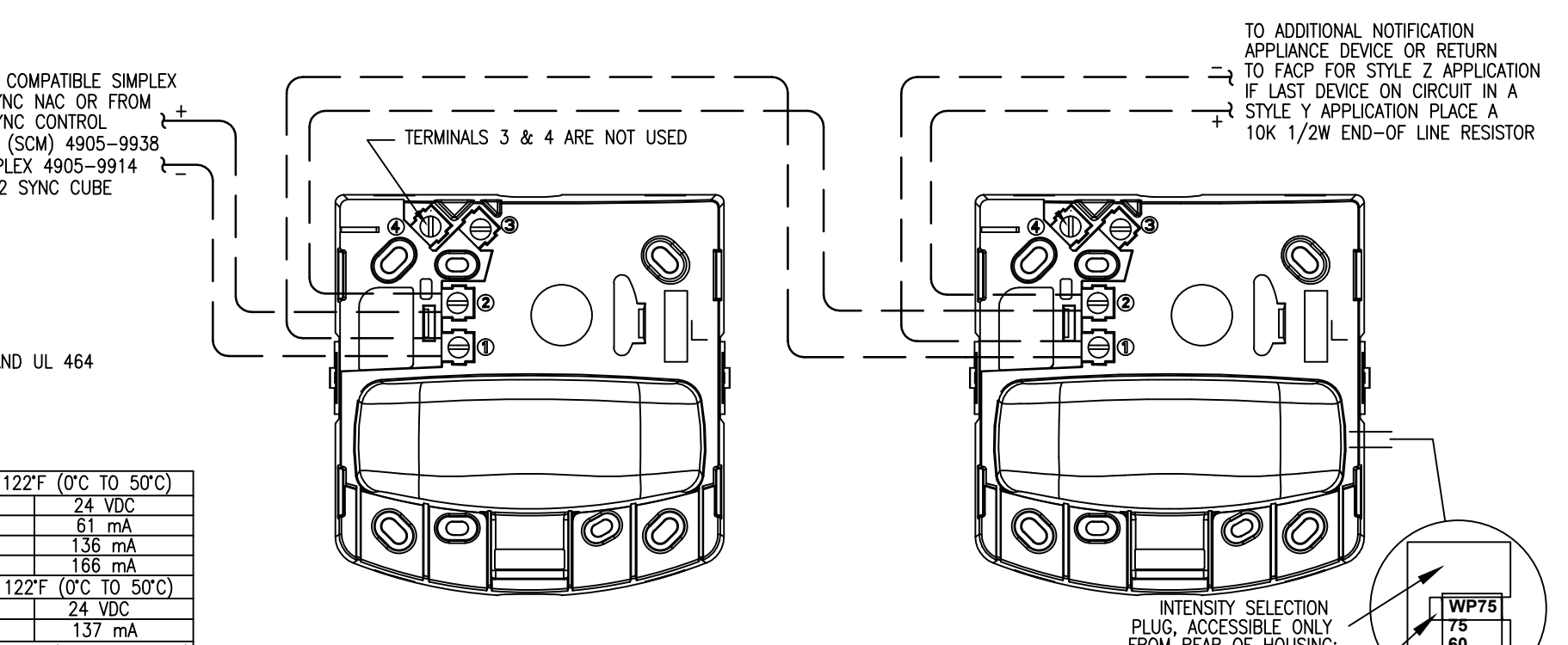
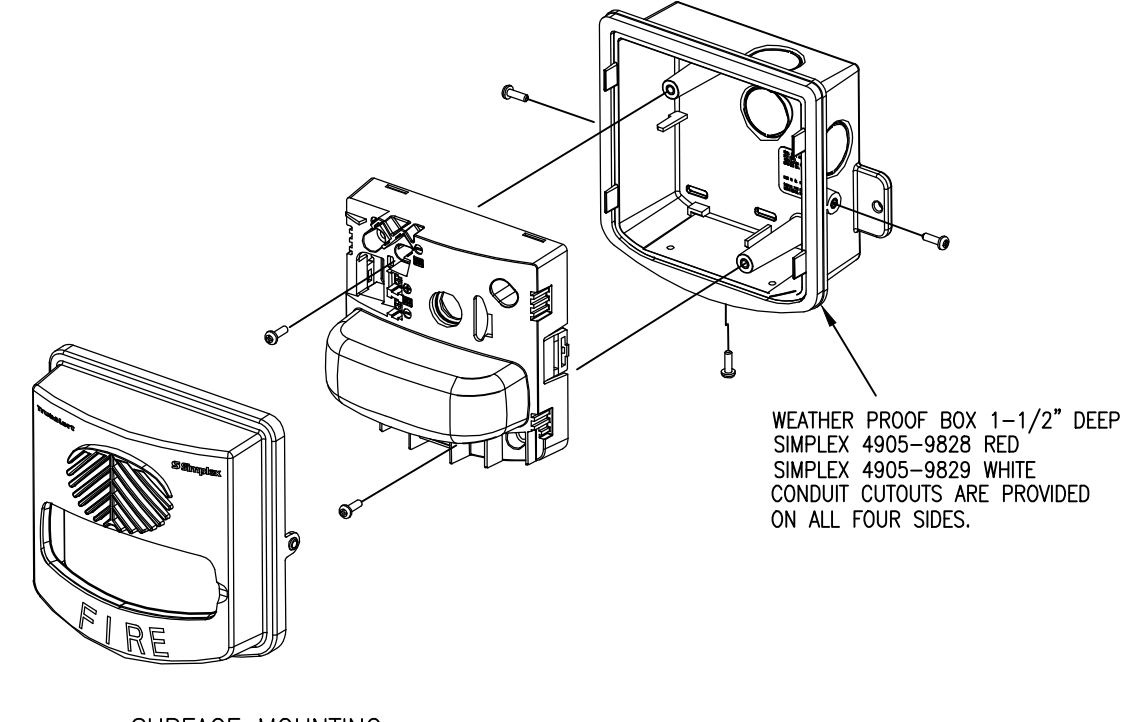
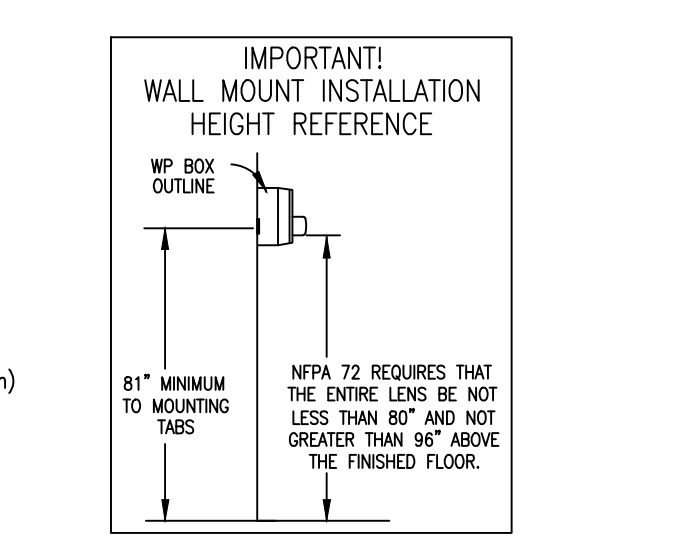
HORN OUTPUT			
CHAMBER	16 VDC	24 VDC	33 VDC
STEADY CODED	STEADY CODED	STEADY CODED	STEADY CODED
REVERBERANT	81 dBA	76 dBA	84 dBA
ANECHOIC	96 dBA	93 dBA	99 dBA

STROBE:

- RATED VOLTAGE RANGE: UL LISTED: 16 VDC TO 33 VDC PER UL 1971, UL 1638 AND UL 464
- FLASH RATE: 1Hz
- NAC LOADING: MAXIMUM OF 24 STROBES PER NAC CIRCUIT.

*CURRENT DRAWS REFLECT STROBE FLASHING WITH AUDIBLE ON.

MODEL NUMBER	HOUSING COLOR	LETTERING COLOR	STROBE RATING	NAC CURRENT @		
				16 VDC	24 VDC	33 VDC
4906-9131	RED	WHITE	15cd	81 mA	91 mA	97 mA
			30cd	124 mA	141 mA	149 mA
			110cd	295 mA	335 mA	353 mA
4906-9132	WHITE	RED	15cd	81 mA	91 mA	97 mA
			30cd	124 mA	141 mA	149 mA
			110cd	295 mA	335 mA	353 mA



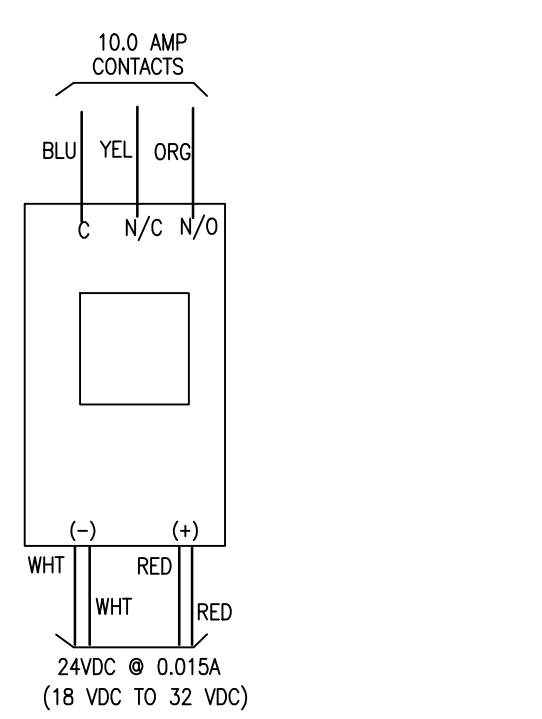
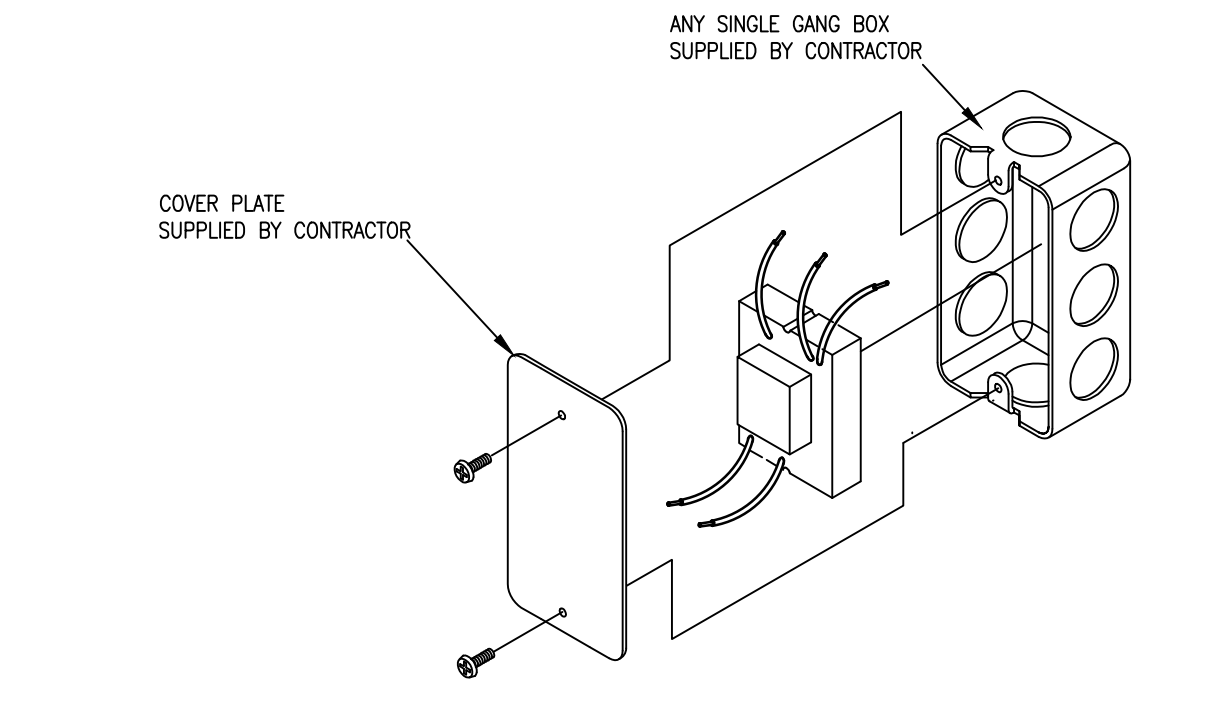
AIR PRODUCTS PAM-SD 24VDC POLARIZED RELAY MODULE (SIMPLEX 4098-9843)

SPECIFICATIONS:

- POWER REQUIREMENTS: 0.015 AMP @ 24VDC (17 VDC TO 32 VDC)
- RELAY: UL RECOGNIZED SPDT
- CONTACT RATING: 7 AMPS @ 120VAC & 28 VDC 250 MICRO AMPS @ 5 VDC
- AMBIENT TEMPERATURE: -50 F TO 85 F (-50 C TO 28 C)
- APPROVALS: UNDERWRITERS LABORATORIES LISTED
- 12" 18 AWG WIRE LEADS
- DIMENSIONS: 1-1/2" H x 1 7/8" W x 1 1/4" D (38.1mm H x 47.625mm W x 30.638mm D)

FEATURES:

- SINGLE SPDT RELAY
- DOUBLE-SIDED ADHESIVE TAPE
- MOUNTING SCREW
- 5 WIRE NUTS



TrueAlert™ NON-ADDRESSABLE MULTI-CANDELA VISIBLE NOTIFICATION APPLIANCE WEATHERPROOF

PRODUCT INFORMATION

FEATURES:

- UL LISTED TO STANDARD 1971 FOR INDOOR APPLICATIONS WITH SELECTABLE STROBE INTENSITY SETTINGS
- UL LISTED TO STANDARD 1638 FOR OUTDOOR APPLICATIONS
- INDOOR APPLICATIONS ARE ADA COMPATIBLE

SYNCHRONIZATION FLASH RATE MODE FOR USE WITH:

- SEPARATE STROBE SYNCHRONIZATION MODULES THAT ARE AVAILABLE FOR CLASS B OR CLASS A OPERATION
- SEPARATE SMARTSYNCH CONTROL MODULES (SCM) THAT PROVIDE CLASS B OR CLASS A OUTPUT FROM CONVENTIONAL NAC INPUTS

SPECIFICATIONS:

- HOUSING DIMENSIONS: 5-1/8" H x 5" W x 2-3/4" D (130mm x 127mm x 70mm)
- UL 1971 LISTED TEMPERATURE RANGE: 32F TO 122F (0C TO 50C)
- UL 1638 LISTED TEMPERATURE RANGE: -31F TO 150F (-35C TO 60C)
- HUMIDITY RANGE: 10% TO 93% NON-CONDENSING AT 100F (38C)
- TERMINAL BLOCKS FOR 18 AWG TO 12 AWG; TWO WIRES PER TERMINAL FOR IN/OUT WIRING.

WIRING:

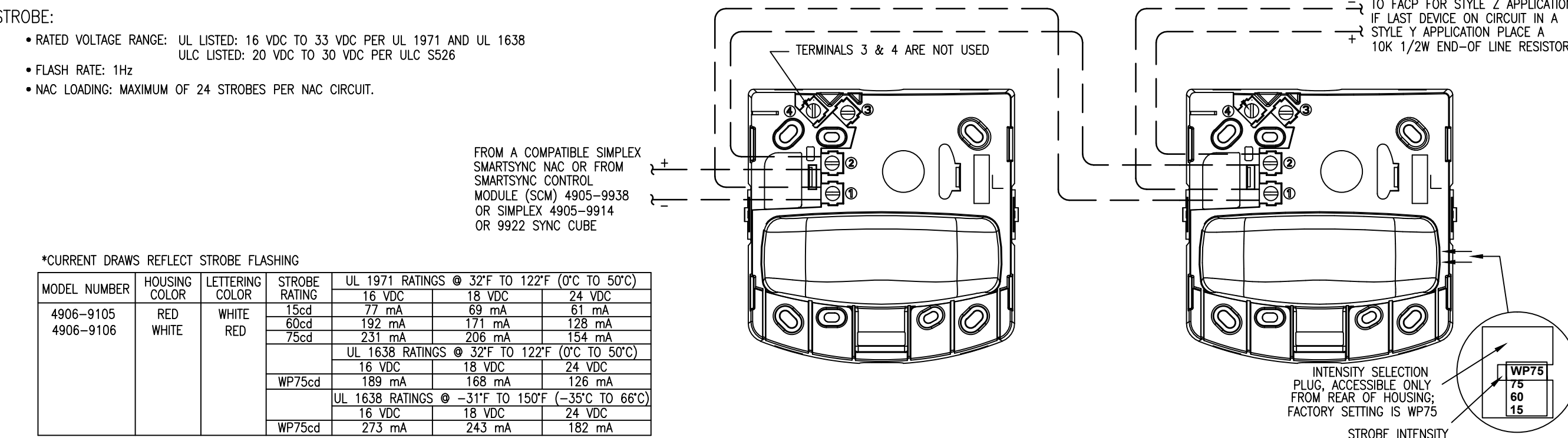
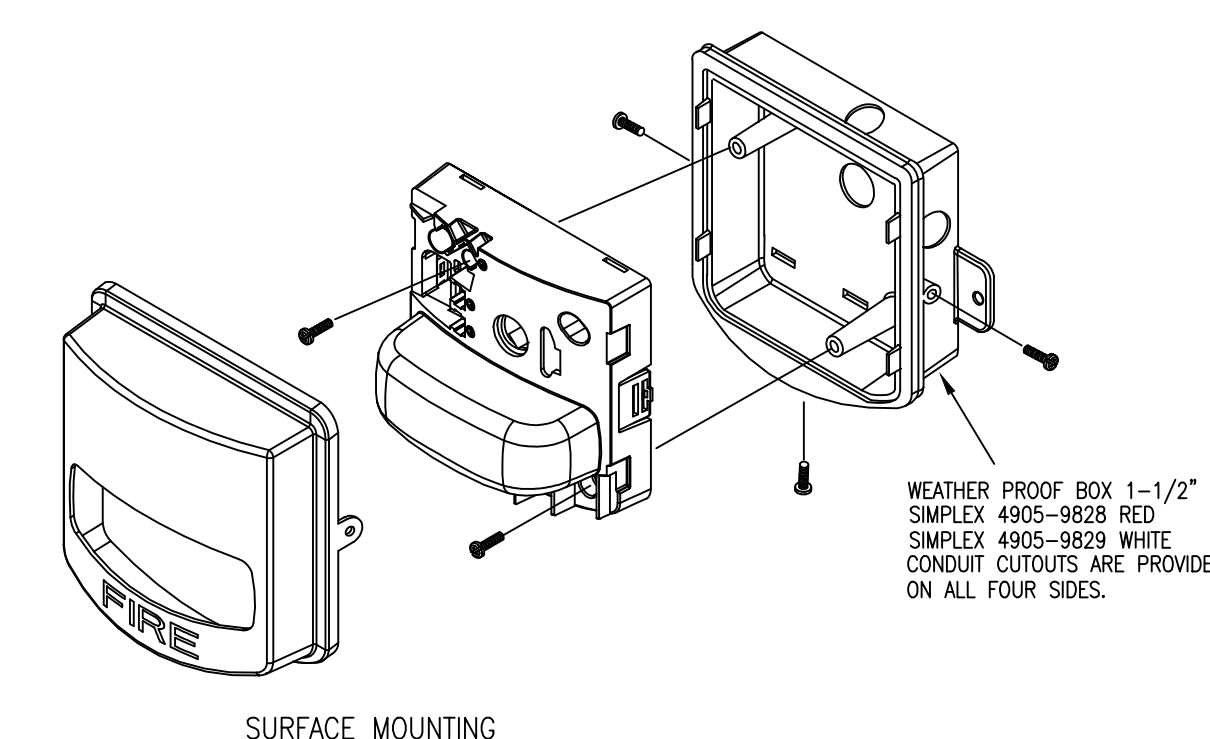
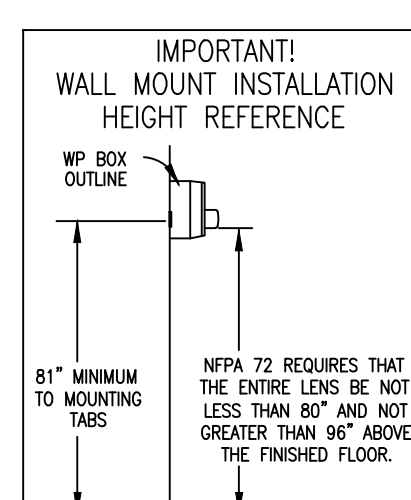
1. NOTIFICATION APPLIANCES ARE RATED PER INDIVIDUAL NAMEPLATE LABEL.
2. MAINTAIN CORRECT POLARITY ON TERMINAL CONNECTIONS. DO NOT LOOP WIRES UNDER TERMINALS.
3. ALL NAC WIRING CONNECTIONS ARE SUPERVISOR AND POWER-LIMITED.
4. SEE INSTALLATION INSTRUCTIONS (579-857) FOR ADDITIONAL INFORMATION.

STROBE:

- RATED VOLTAGE RANGE: UL LISTED: 16 VDC TO 33 VDC PER UL 1971 AND UL 1638
- FLASH RATE: 1Hz
- NAC LOADING: MAXIMUM OF 24 STROBES PER NAC CIRCUIT.

***CURRENT DRAWS REFLECT STROBE FLASHING**

MODEL NUMBER	HOUSING COLOR	LETTERING COLOR	STROBE RATING	NAC CURRENT @		
				16 VDC	24 VDC	33 VDC
4906-9105	RED	WHITE	15cd	77 mA	89 mA	95 mA
			30cd	119 mA	137 mA	145 mA
			110cd	291 mA	331 mA	349 mA
4906-9106	WHITE	RED	15cd	77 mA	89 mA	95 mA
			30cd	119 mA	137 mA	145 mA
			110cd	291 mA	331 mA	349 mA



2098-9806 REMOTE ALARM INDICATOR/KEY SWITCH

PRODUCT INFORMATION

FEATURES:

- UL LISTED
- CALIFORNIA STATE FIRE MARSHAL LISTING NUMBERS: 2098-9806 ALARM INDICATOR 3000-0068150
- MOUNTING: FLUSH
- FINISH: CHROME OR STAINLESS STEEL

SPECIFICATIONS:

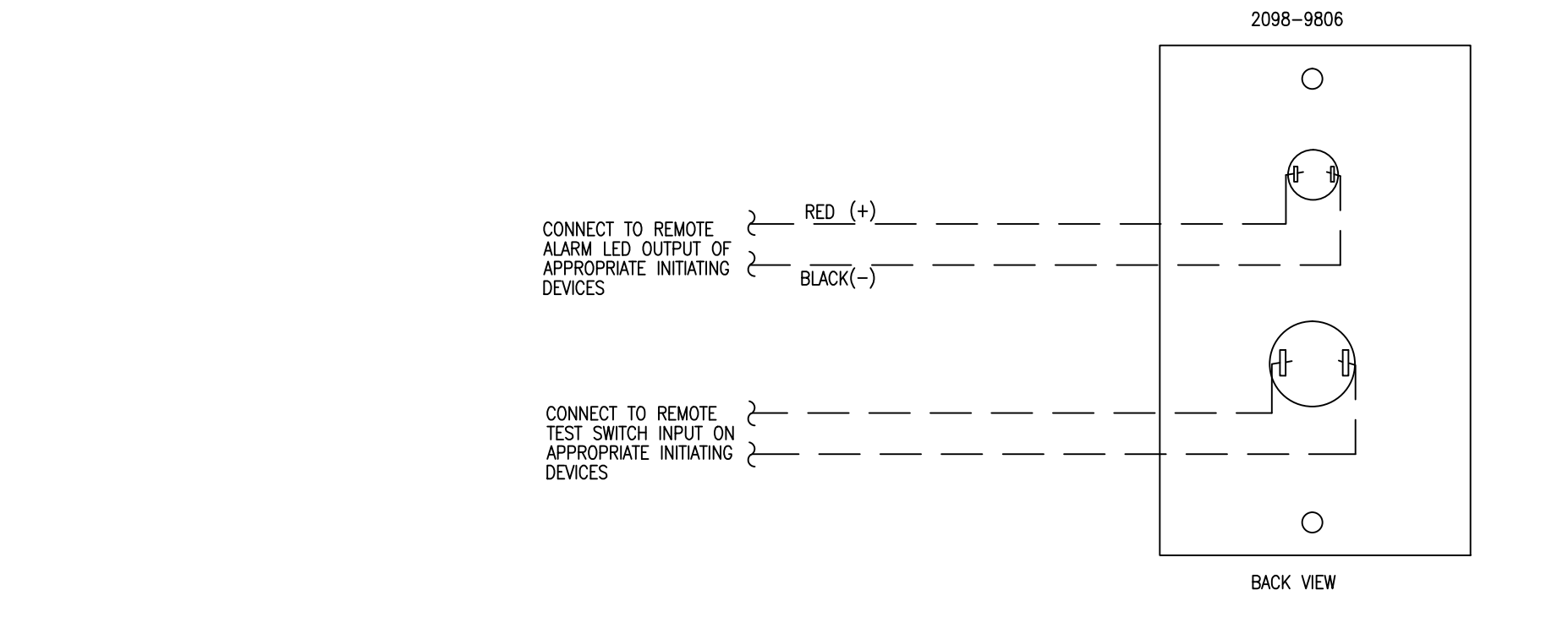
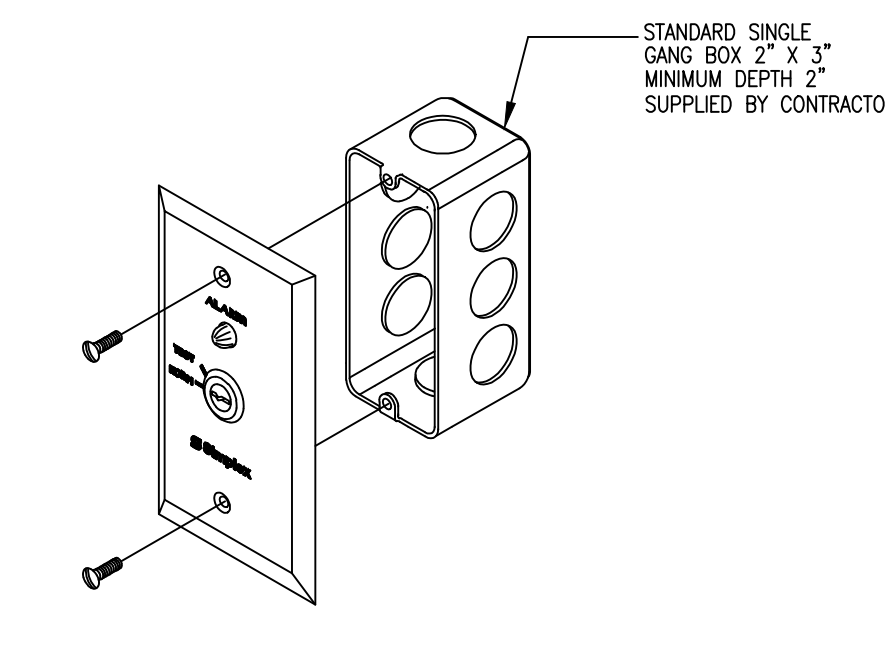
- ALARM CURRENT: 2.8 mA
- DIMENSIONS OF BOX: 2" W x 3 1/4" x 2" D

DESCRIPTION:

2098-9806 REMOTE TEST STATION, PROVIDES A REMOTE RED ALARM LED STATUS INDICATOR AND A REMOTE TEST KEY ACTIVATED SWITCH MOUNTED ON A SINGLE GANG STAINLESS STEEL PLATE. THE LED WILL PULSE TO INDICATE NORMAL OPERATION OF THE DETECTOR AND WILL ENGAGE CONTINUOUS BEEP IN ALARM OR IN TROUBLE. (THE EXACT STATUS OF THE SENSOR WILL BE DISPLAYED AT THE ALARM CONTROL PANEL.) TURNING THE TEST SWITCH TO "TEST" WILL INITIATE AN ALARM AND ALLOW THE RESULTING SYSTEM RESPONSES TO BE VERIFIED.

WIRING:

- MINIMUM 18 AWG OR TO LOCAL CODE
- CONDUCTORS MUST TEST FREE OF ALL GROUNDS.
- REMOTE ALARM LED IS POLARIZED, OBSERVE COLOR CODED WIRING.
- ONE INDICATOR MAY BE INSTALLED PER DETECTOR.



SimplexGrinnell Be Safe.
A Tyco International Company

20 THOMAS DRIVE
WESTBROOK, ME 04092
SALES: 207-842-6440
SERVICE: 207-842-6440
FAX: 207-842-6439

© 2012 SIMPLEXGRINNELL LP
ALL RIGHTS RESERVED

REVISION DESCRIPTION

DATE

NO.

FIRE ALARM & APARTMENT INTERCOM SYSTEM
DEVICE WIRING DETAIL
PEARL PLACE II
184 PEARL STREET
PORTLAND, MAINE

DRAWN BY: J. STEPHENS DATE: 1/13/11

CHECKED BY: KALAFARSKI DATE: 1/24/12

PROJECT NUMBER: 147419994

SHEET TITLE: FIRE ALARM/INTER SYSTEM DEVICE WIRING DETAIL

SHEET NUMBER: FA-703