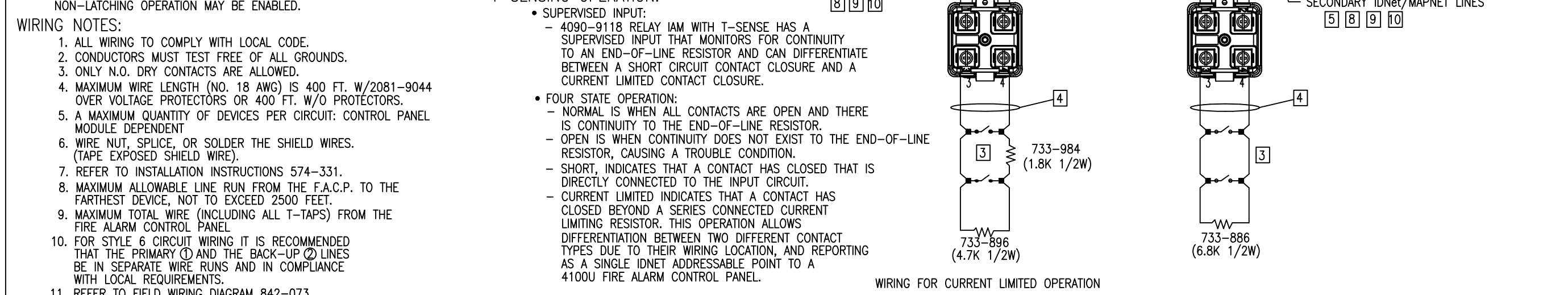
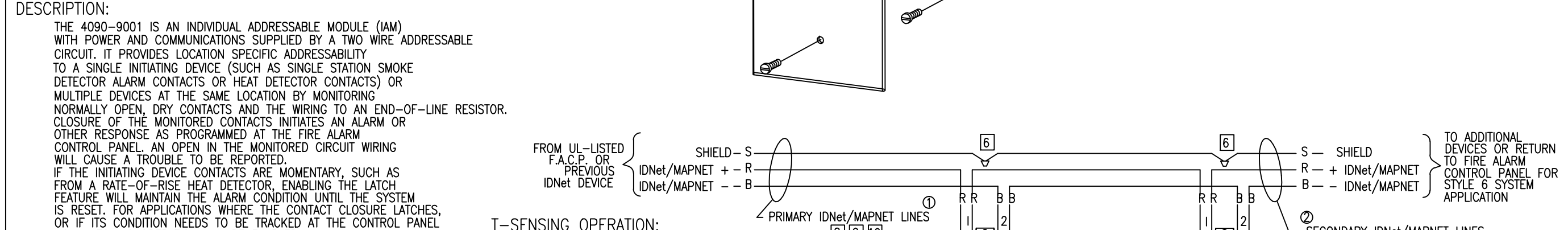


4090-9001 IDNET, SUPERVISED INDIVIDUAL ADDRESSABLE MODULE (IAM)

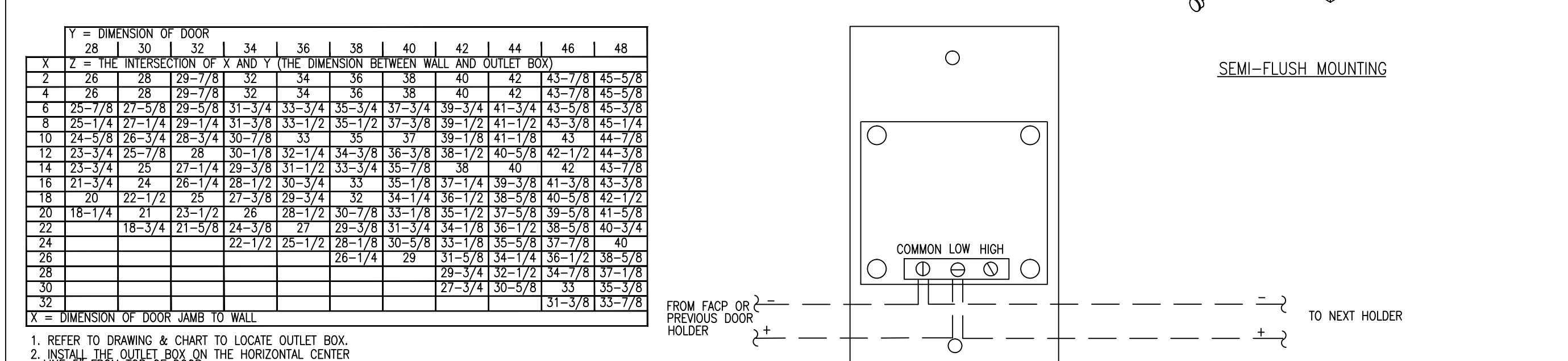
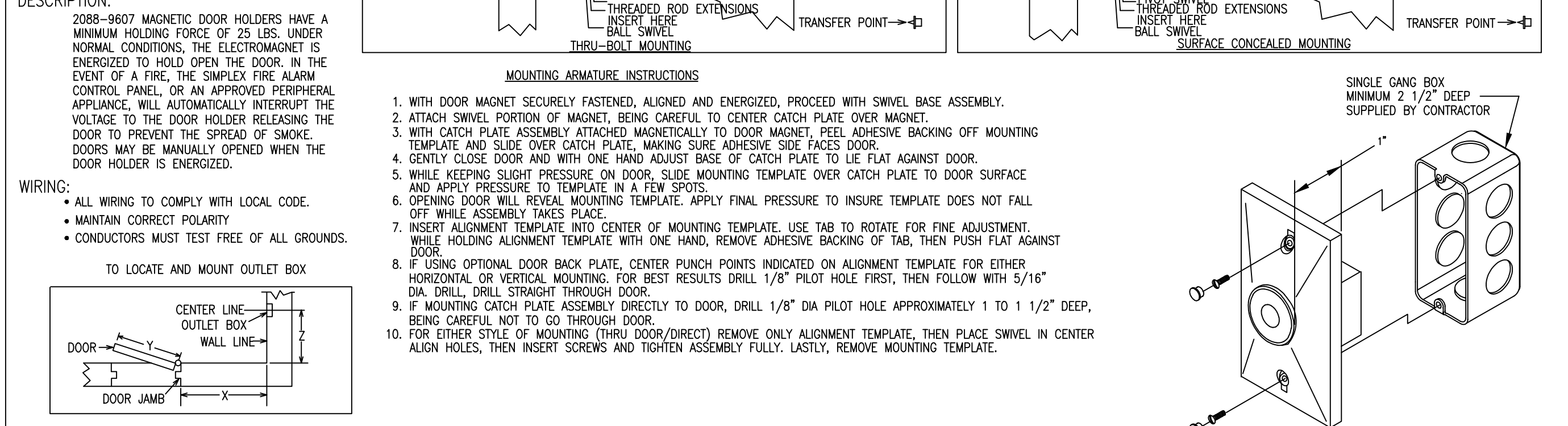
- PRODUCT INFORMATION**
- FEATURES:**
- UL LISTED
 - ADDRESSABLE COMMUNICATIONS SUPPLY BOTH DATA AND POWER TO PROVIDE
 - SUPPRESSED STYLE B MONITORING OF NORMALLY OPEN DRY CONTACTS
 - COMMUNICATIONS WIRING USING ONE TWISTED, SHIELDED WIRE PAIR
 - COMPATIBLE WITH SIMPLEX ADDRESSABLE FIRE ALARM CONTROL PANELS
 - CONTACT SEALED CONSTRUCTION
 - ALLOWS MOUNTING IN A SINGLE GANG BOX
 - RESISTES DUST INFILTRATION
 - PROVIDES CURRENT LIMITED MONITORING
 - TO MONITOR TAMPER SWITCH (SUPERVISORY) AND WATER FLOW SWITCH (ALARM) ON SAME CIRCUIT
 - REQUIRES ONLY ONE ADDRESSABLE POINT
 - SELECTABLE LATCHING OPERATION
 - MONITORS MONITOR CONTACT CLOSURES SUCH AS RATE-OF-RISE HEAT DETECTORS

- SPECIFICATIONS:**
- WIRE CONNECTIONS: SCREW TERMINALS FOR IN/OUT WIRING FOR WIRE FROM #18 TO #14 AWG.
 - DIMENSIONS: 1 9/16" x 1 3/4" x 1 1/4"
 - TEMPERATURE RANGE: 32° F TO 158° F (0° C TO 70° C)
 - HUMIDITY: UP TO 93% RH AT 100° F
 - SUPERVISION RESISTOR: 6.8k Ω 1/2W (SUPPLIED)
 - RESISTOR FOR CURRENT LIMITED OPERATION: 4.7k Ω 1/2W WITH A 1.8k Ω 1/2W
 - INPUT REQUIREMENTS: NORMALLY OPEN, DRY CONTACTS
 - HOUSING MATERIAL: BLACK THERMOPLASTIC



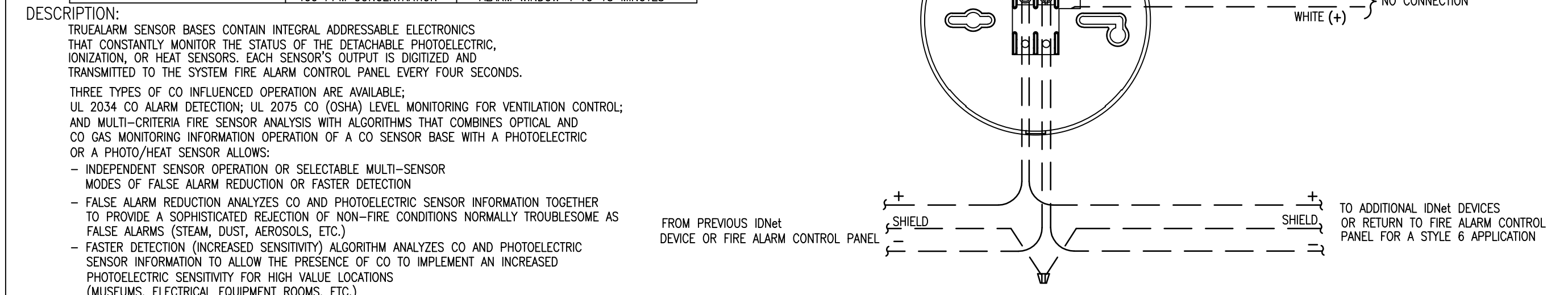
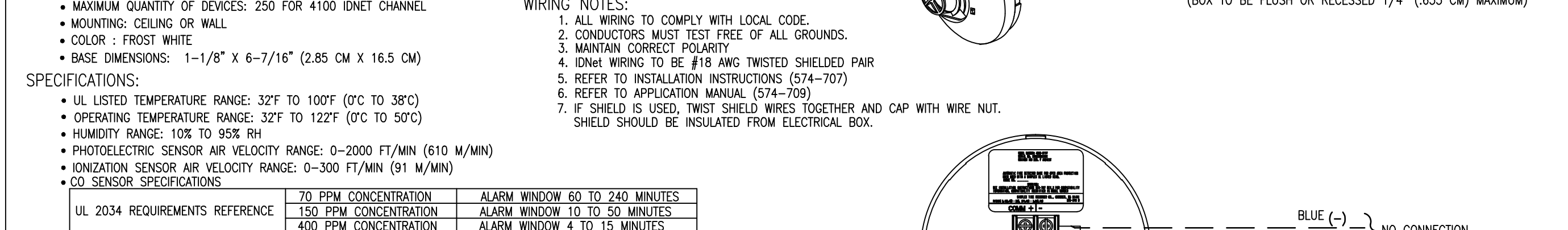
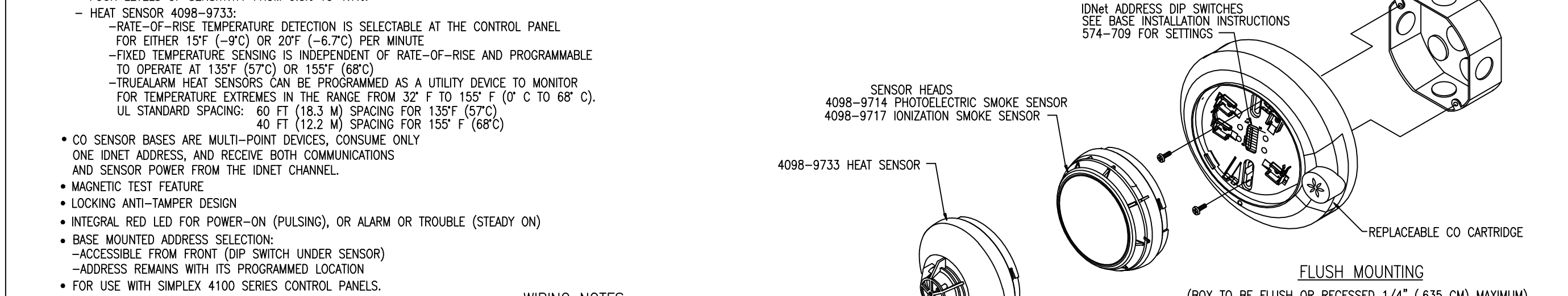
2088-9608 MAGNETIC DOOR HOLDER

- PRODUCT INFORMATION**
- FEATURES:**
- UL LISTED
 - CALIFORNIA STATE FIRE MARSHAL LISTING NUMBERS: 2088-9608 DOOR HOLDERS 3050-0026/232
 - MOUNTING: WALL, SEMI-FLUSH
 - FINISH: DOUBLE PLATED CHROME
- SPECIFICATIONS:**
- VOLTAGE RANGE: OPERATES WITH 24 VDC
 - CURRENT: 15 mA



4098-9797 CO SENSOR BASE

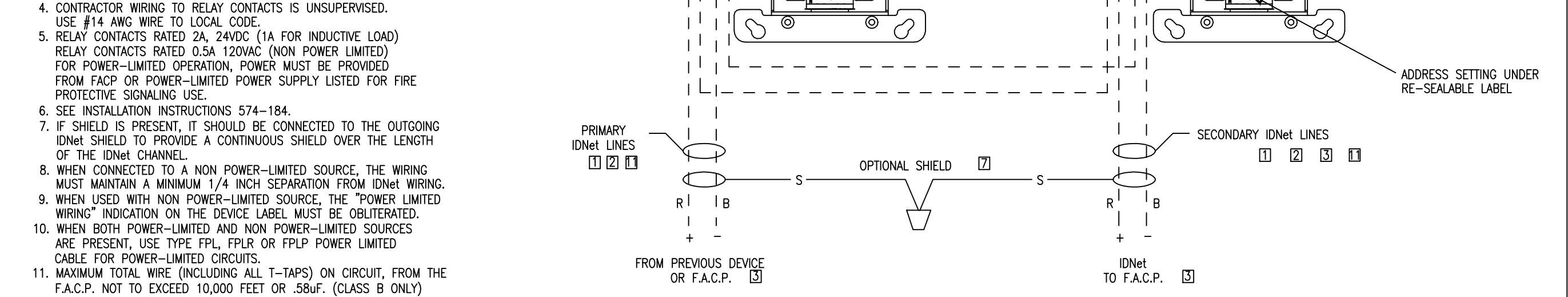
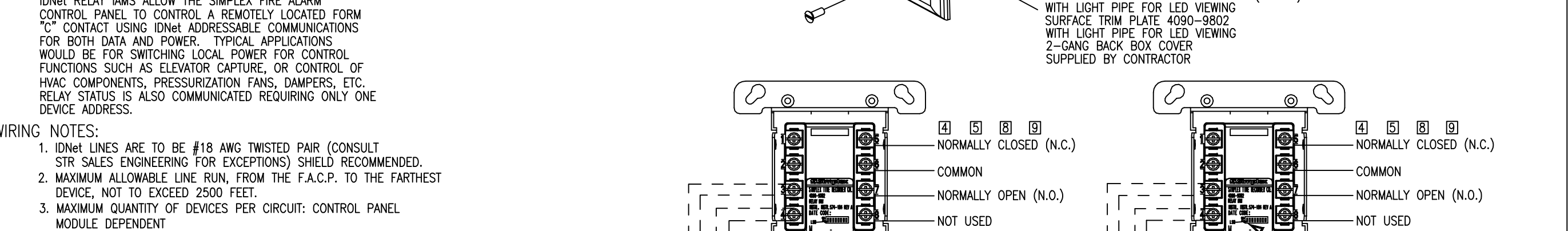
- PRODUCT INFORMATION**
- FEATURES:**
- UL LISTED TO STANDARD 268, SMOKE DETECTORS FOR FIRE ALARM SIGNALING SYSTEMS AND STANDARD 2075, GAS AND VAPOR DETECTORS AND SENSORS, ALLOWING SYSTEMS TO BE LISTED TO STANDARD 2034, SINGLE AND MULTIPLE STATION CARBON MONOXIDE ALARMS
 - CO SENSOR BASE SUPPORT (AND REDUCED) A TRUEALARM PHOTOELECTRIC, PHOTO/HEAT, HEAT, OR IONIZATION SENSOR
 - PHOTOELECTRIC SMOKE SENSOR 4098-9714: SEVEN LEVELS OF SENSITIVITY FROM 0.25 TO 3.7% (IONIZATION SMOKE SENSOR 4098-9714: FOUR LEVELS OF SENSITIVITY FROM 0.5% TO 1.7% HEAT SENSOR 4098-9733: RATE-OF-RISE TEMPERATURE DETECTION IS SELECTABLE AT THE CONTROL PANEL FOR EITHER 15°F (-9°C) OR 20°F (-6.7°C) PER MINUTE
 - RISE TEMPERATURE SENSING IS INDEPENDENT OF RATE-OF-RISE AND PROGRAMMABLE TO OPERATE AT 135°F (57°C) OR 150°F (66°C)
 - TRUEALARM HEAT SENSORS CAN BE PROGRAMMED AS A UTILITY DEVICE TO MONITOR FOR TEMPERATURE EXTREMES IN THE RANGE FROM 32° F TO 155° F (0° C TO 68° C). UL STANDARD SPACING: 60 FT (18.3 M) SPACING FOR 135° F (57°C) 40 FT (12.2 M) SPACING FOR 150° F (66°C)
 - CO SENSOR BASES ARE MULTI-POINT DEVICES, CONSUME ONLY ONE INNET ADDRESS, AND RECEIVE BOTH COMMUNICATIONS AND SENSOR POWER FROM THE INNET CHANNEL
 - MAGNETIC TEST FEATURE
 - LOOKING ANTI-TAMPER DESIGN
 - INTEGRAL RED LED FOR POWER-ON (PULSING), OR ALARM OR TROUBLE (STEADY ON)
 - BASE MOUNTED ADDRESS SELECTION
 - ACCESSIBLE FROM FRONT (OR SWITCH UNDER SENSOR)
 - ADDRESS REMAINS WITH ITS PROGRAMMED LOCATION
 - FOR USE WITH SIMPLEX 4100 SERIES CONTROL PANELS
 - MAXIMUM QUANTITY OF DEVICES: 250 FOR 4100 INNET CHANNEL
 - MOUNTING: CEILING OR WALL
 - COLOR: FROST WHITE
 - BASE DIMENSIONS: 1-1/8" x 6-7/16" (2.85 CM X 16.5 CM)



4090-9002 IDNET, INDIVIDUAL ADDRESSABLE MODULE RELAY (IAM)

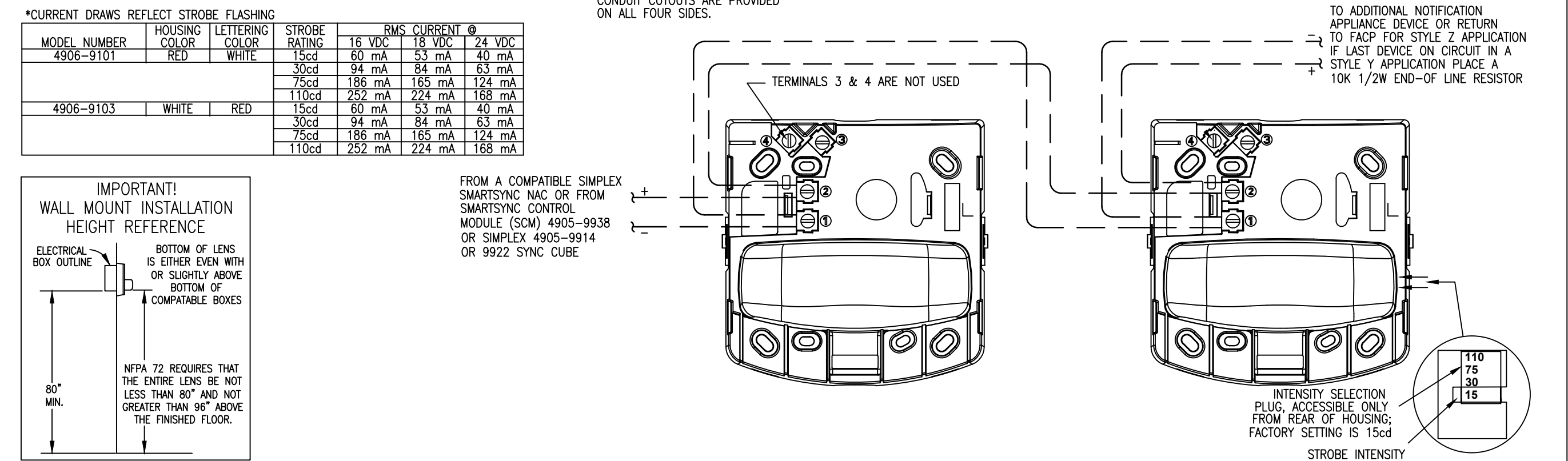
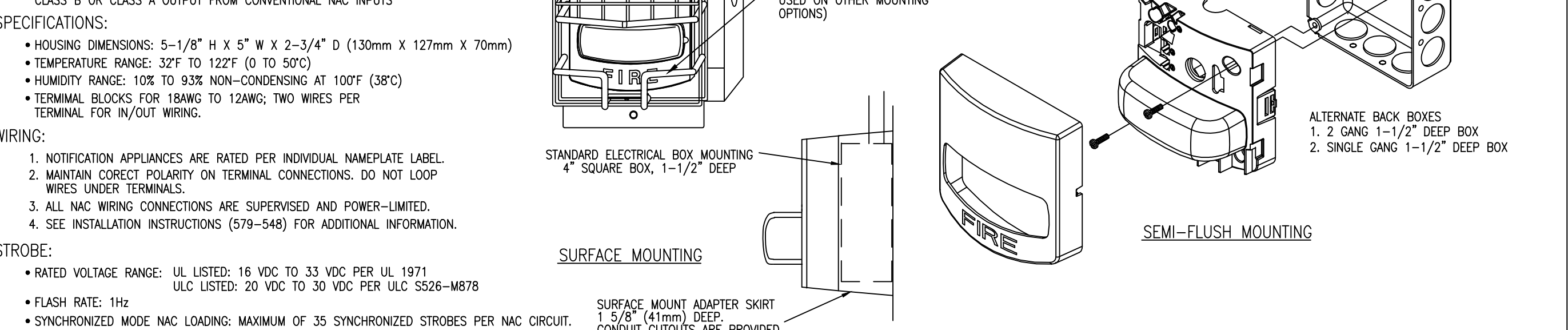
- PRODUCT INFORMATION**
- FEATURES:**
- UL LISTED
 - A SINGLE ADDRESSABLE POINT BOTH CONTROLS A 2A FORM 'C' CONTACT AND TRACKS ITS STATUS
 - COMPATIBLE WITH SIMPLEX MODEL 4010 AND 4100 ADDRESSABLE FIRE ALARM CONTROL PANELS
 - RELAY RELAY DESIGN ALLOWS DATA AND POWER TO BE BOTH SUPPLIED BY INNET COMMUNICATIONS
 - COMPACT, SEALED CONSTRUCTION
 - SCREW TERMINALS FOR WIRING CONNECTIONS
 - RESISTES DUST INFILTRATION

- SPECIFICATIONS:**
- RELAY INNET POWER: SUPPLIED BY INNET COMMUNICATIONS
 - RELAY INNET CONTACTS (FROM 'C', SPDT)
 - POWER LIMITED RATING: 2A @ 24VDC, TRANSIENT SUPPRESSED LOADS, 1A @ 24VDC FOR INDUCTIVE LOADS
 - NON POWER LIMITED RATING: 1/2A @ 24VDC, TRANSIENT SUPPRESSED LOADS, 1A @ 24 VDC FOR INDUCTIVE LOADS
 - WIRE CONNECTIONS: SCREW TERMINALS FOR IN/OUT WIRING, #18 TO #14 AWG WIRE
 - COMPATIBLE WITH SIMPLEX 2081-9044 OVER VOLTAGE PROTECTORS
 - DIMENSIONS: 4 1/8" x 4 1/8" x 1 3/8" (105mm x 105mm x 35mm)
 - HOUSING MATERIAL: BLACK THERMOPLASTIC
 - MOUNTING PLATE MATERIAL: SHEET METAL, GALVANIZED
 - TEMPERATURE RANGE: 32° F TO 120° F (0° C TO 49° C)
 - INTENDED FOR INDOOR OPERATION
 - HUMIDITY RANGE UP TO 93% RH AT 100° F (38° C)



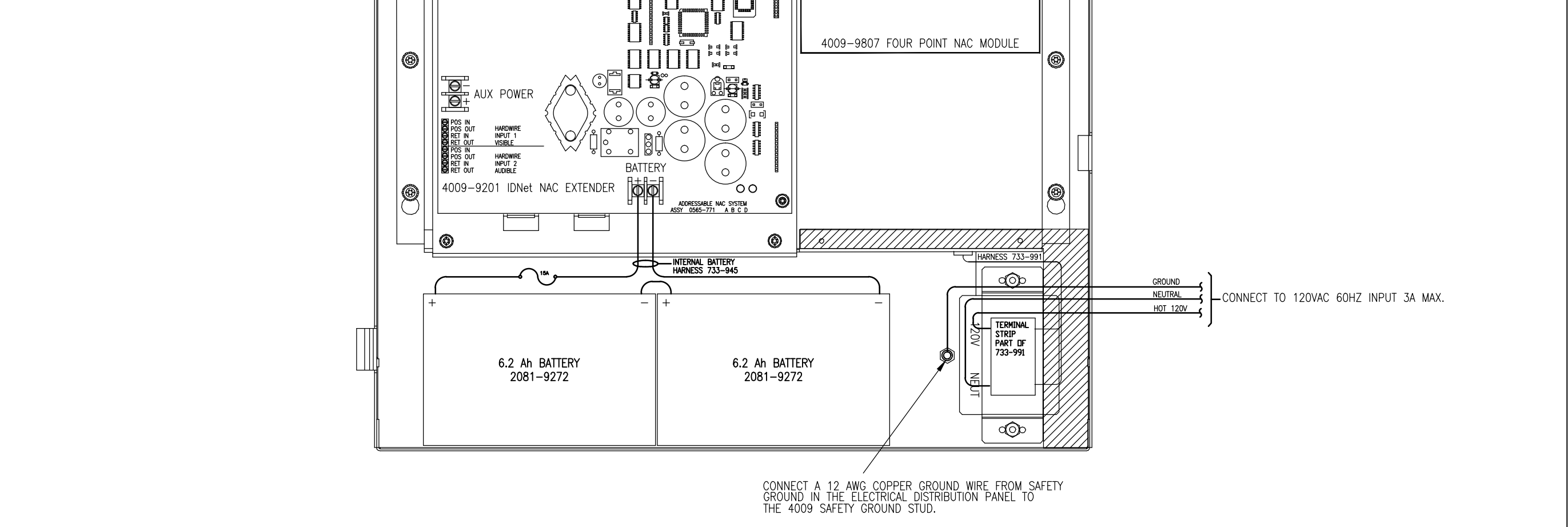
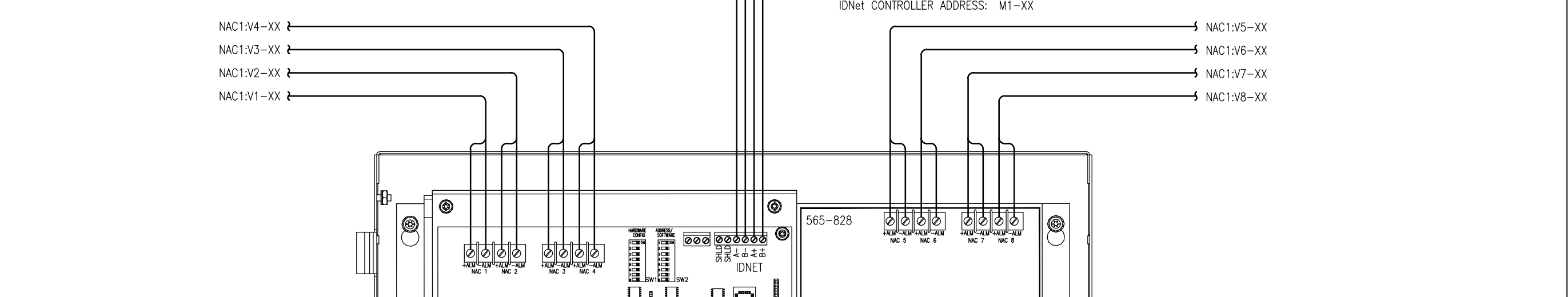
TrueAlert™ NON-ADDRESSABLE MULTI-CANDELA VISIBLE NOTIFICATION APPLIANCE (WALL MOUNT)

- PRODUCT INFORMATION**
- FEATURES:**
- UL LISTED TO STANDARD 1971
 - KOA COMPLIANT
 - SYNCHRONIZATION FLASH RATE MODE FOR USE WITH:
 - SEPARATE STROBE SYNCHRONIZATION MODULES THAT ARE AVAILABLE FOR CLASS B OR CLASS A OPERATION
 - SEPARATE SMARTING CONTROL MODULES (SCM) THAT PROVIDE CLASS B OR CLASS A OUTPUT FROM CONVENTIONAL NAC INPUTS
- SPECIFICATIONS:**
- HOUSING DIMENSIONS: 5-1/8" H x 5" W x 2-3/4" D (130mm X 127mm X 70mm)
 - TEMPERATURE RANGE: 32° F TO 122° F (0° TO 50° C)
 - HUMIDITY RANGE: 10% TO 93% NON-CONDENSING AT 100° F (38° C)
 - TERMINAL BLOCKS FOR 18AWG TO 12AWG, TWO WIRES PER TERMINAL FOR IN/OUT WIRING



4009-9201 NAC EXTENDER PANEL W/4009-9807

- PRODUCT INFORMATION**
- FEATURES:**
- UL LISTED TO STANDARD 268, SMOKE DETECTORS FOR FIRE ALARM SIGNALING SYSTEMS AND STANDARD 2075, GAS AND VAPOR DETECTORS AND SENSORS, ALLOWING SYSTEMS TO BE LISTED TO STANDARD 2034, SINGLE AND MULTIPLE STATION CARBON MONOXIDE ALARMS
 - CO SENSOR BASE SUPPORT (AND REDUCED) A TRUEALARM PHOTOELECTRIC, PHOTO/HEAT, HEAT, OR IONIZATION SENSOR
 - PHOTOELECTRIC SMOKE SENSOR 4098-9714: SEVEN LEVELS OF SENSITIVITY FROM 0.25 TO 3.7% (IONIZATION SMOKE SENSOR 4098-9714: FOUR LEVELS OF SENSITIVITY FROM 0.5% TO 1.7% HEAT SENSOR 4098-9733: RATE-OF-RISE TEMPERATURE DETECTION IS SELECTABLE AT THE CONTROL PANEL FOR EITHER 15°F (-9°C) OR 20°F (-6.7°C) PER MINUTE
 - RISE TEMPERATURE SENSING IS INDEPENDENT OF RATE-OF-RISE AND PROGRAMMABLE TO OPERATE AT 135°F (57°C) OR 150°F (66°C)
 - TRUEALARM HEAT SENSORS CAN BE PROGRAMMED AS A UTILITY DEVICE TO MONITOR FOR TEMPERATURE EXTREMES IN THE RANGE FROM 32° F TO 155° F (0° C TO 68° C). UL STANDARD SPACING: 60 FT (18.3 M) SPACING FOR 135° F (57°C) 40 FT (12.2 M) SPACING FOR 150° F (66°C)
 - CO SENSOR BASES ARE MULTI-POINT DEVICES, CONSUME ONLY ONE INNET ADDRESS, AND RECEIVE BOTH COMMUNICATIONS AND SENSOR POWER FROM THE INNET CHANNEL
 - MAGNETIC TEST FEATURE
 - LOOKING ANTI-TAMPER DESIGN
 - INTEGRAL RED LED FOR POWER-ON (PULSING), OR ALARM OR TROUBLE (STEADY ON)
 - BASE MOUNTED ADDRESS SELECTION
 - ACCESSIBLE FROM FRONT (OR SWITCH UNDER SENSOR)
 - ADDRESS REMAINS WITH ITS PROGRAMMED LOCATION
 - FOR USE WITH SIMPLEX 4100 SERIES CONTROL PANELS
 - MAXIMUM QUANTITY OF DEVICES: 250 FOR 4100 INNET CHANNEL
 - MOUNTING: CEILING OR WALL
 - COLOR: FROST WHITE
 - BASE DIMENSIONS: 1-1/8" x 6-7/16" (2.85 CM X 16.5 CM)



SimplexGrinnell Be Safe.
A Tyco International Company

20 THOMAS DRIVE
WESTBROOK, N.H. 04092
SALES: 207-842-6440
SERVICE: 207-842-6440
FAX: 207-842-6439

© 2015 SIMPLEXGRINNELL
ALL RIGHTS RESERVED

REVISION DESCRIPTION

DATE

NO.

SYSTEM

FIRE ALARM & APARTMENT INTERCOM SYSTEM

DEVICE WIRING DETAIL

PEARL PLACE II

184 PEARL STREET
PORTLAND, MAINE

DRAWN BY: DATE: J. STEPHENS 1/13/11

CHECKED BY: DATE: KALAFARSKI 1/24/12

PROJECT NUMBER: 147419994

SHEET TITLE: FIRE ALARM/INTER SYSTEM DEVICE WIRING DETAIL

SHEET NUMBER: FA-702

FA-702.dwg