

SYMBOL LEGEND			
SYMBOL	DESCRIPTION	MODEL#	BACKBOX
EP	ENTRY PANEL	TEKTONE CM492 W/ AMP492P & AM190D	OF193 FRAME OK193 HOUSING
IP	APARTMENT INTERCOM STATION	TEKTONE IR204E	SINGLE GANG BOX
J	JUNCTION BOX	BY OTHERS	N/A
DS	DOOR STRIKE	TEKTONE PO 001	N/A
TR	TRANSFER RELAY	TEKTONE PK502B	SURFACE MOUNTED
A	SYSTEM AMPLIFIER	TEKTONE PK543A	SURFACE MOUNTED
SS102A	TRANSFORMER	TEKTONE SS102A	N/A
SS106	TRANSFORMER	TEKTONE SS106	N/A
PK601A	POWER SUPPLY	TEKTONE PK601A	SURFACE MOUNTED
STROBE	STROBE	TEKTONE LI404B	SINGLE GANG BOX

APARTMENT ENTRY SYSTEM WIRE LIST			
A INTERCOM STATION WIRE - 1 TWISTED PAIR, 22 AWG OVERALL SHIELD PLENUM RATED, CMP WEST PENN 252218 AREA=0.0595 SQ. INCH			
B POWER WIRE - 1 TWISTED PAIR, 18 AWG PLENUM RATED, CMP WEST PENN 252248 AREA=0.015 SQ. INCH			
C AUDIO WIRE - 2 TWISTED PAIR SHIELDED, 22 AWG PLENUM RATED, CMP WEST PENN 252908 AREA=0.0115 SQ. INCH			
CONDUIT SIZE	CONDUCTOR AREA	CONDUIT SIZE	CONDUCTOR AREA
1/2"	0.12 SQ INCH *	1-1/2"	0.60 SQ INCH *
3/4"	0.21 SQ INCH *	2"	0.82 SQ INCH *
1"	0.34 SQ INCH *	2-1/2"	1.34 SQ INCH *
* 40% FILL PER N.E.C.			
THE CABLES SPECIFIED HERE ARE FOR REFERENCE OF REQUIRED ELECTRICAL CHARACTERISTICS AS WELL AS CODE REQUIREMENTS. ALTERNATE SUPPLIERS MAY BE SUBSTITUTED PROVIDING EQUIVALENT CHARACTERISTICS ARE MAINTAINED. ITEMS SUCH AS CAPACITANCE BETWEEN CONDUCTORS AND WIRE GAUGE CAN BE CRUCIAL TO THE CIRCUIT DESIGN OF THIS SYSTEM INSTALLATION.			

FIGURE 1 - PK543A WIRING DIAGRAM APARTMENT TO INTERCOM STATIONS

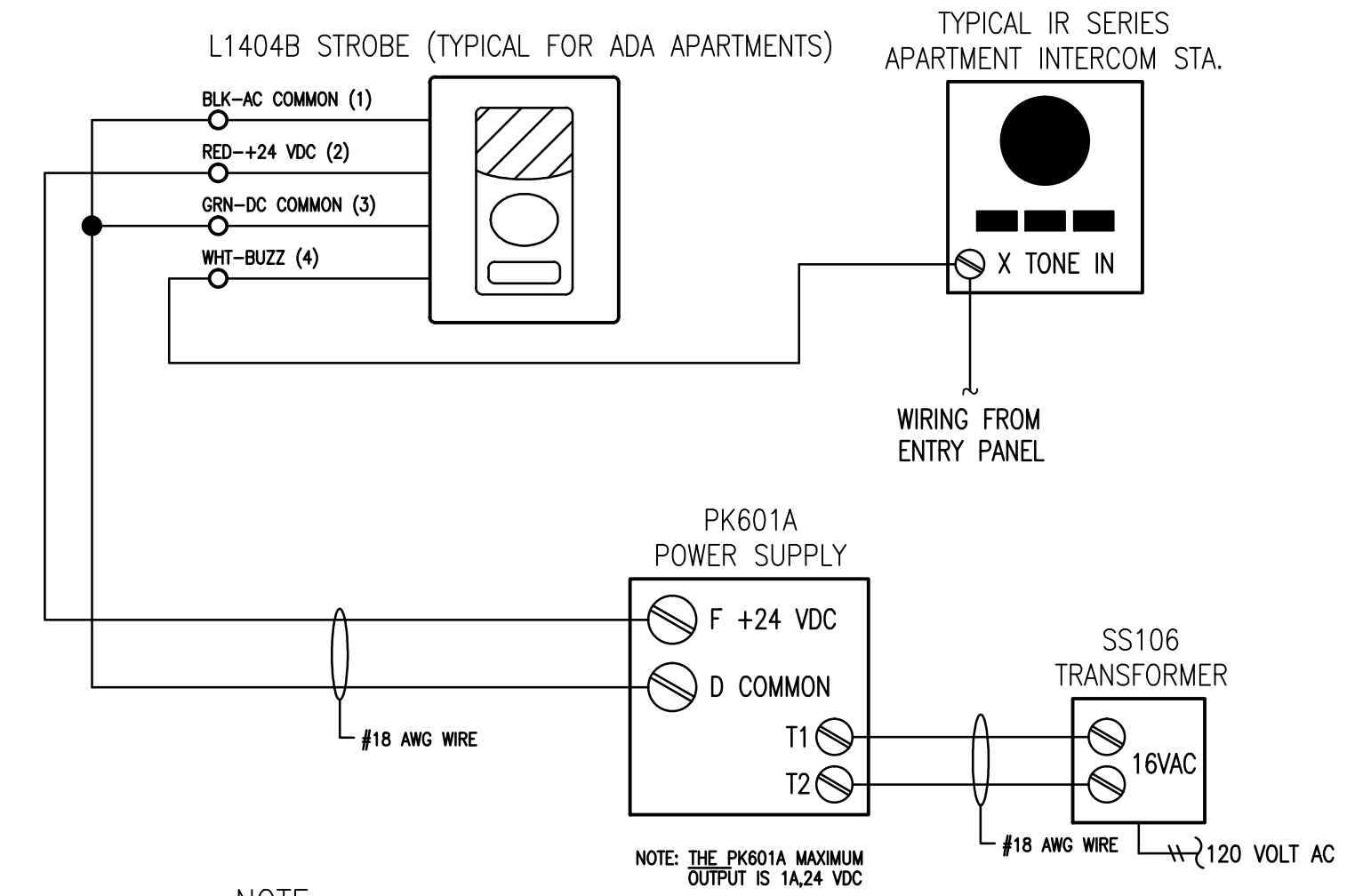


FIGURE 3 - LI404B STROBE FOR ADA ROOMS WIRING DIAGRAM FOR PK543A SYSTEMS

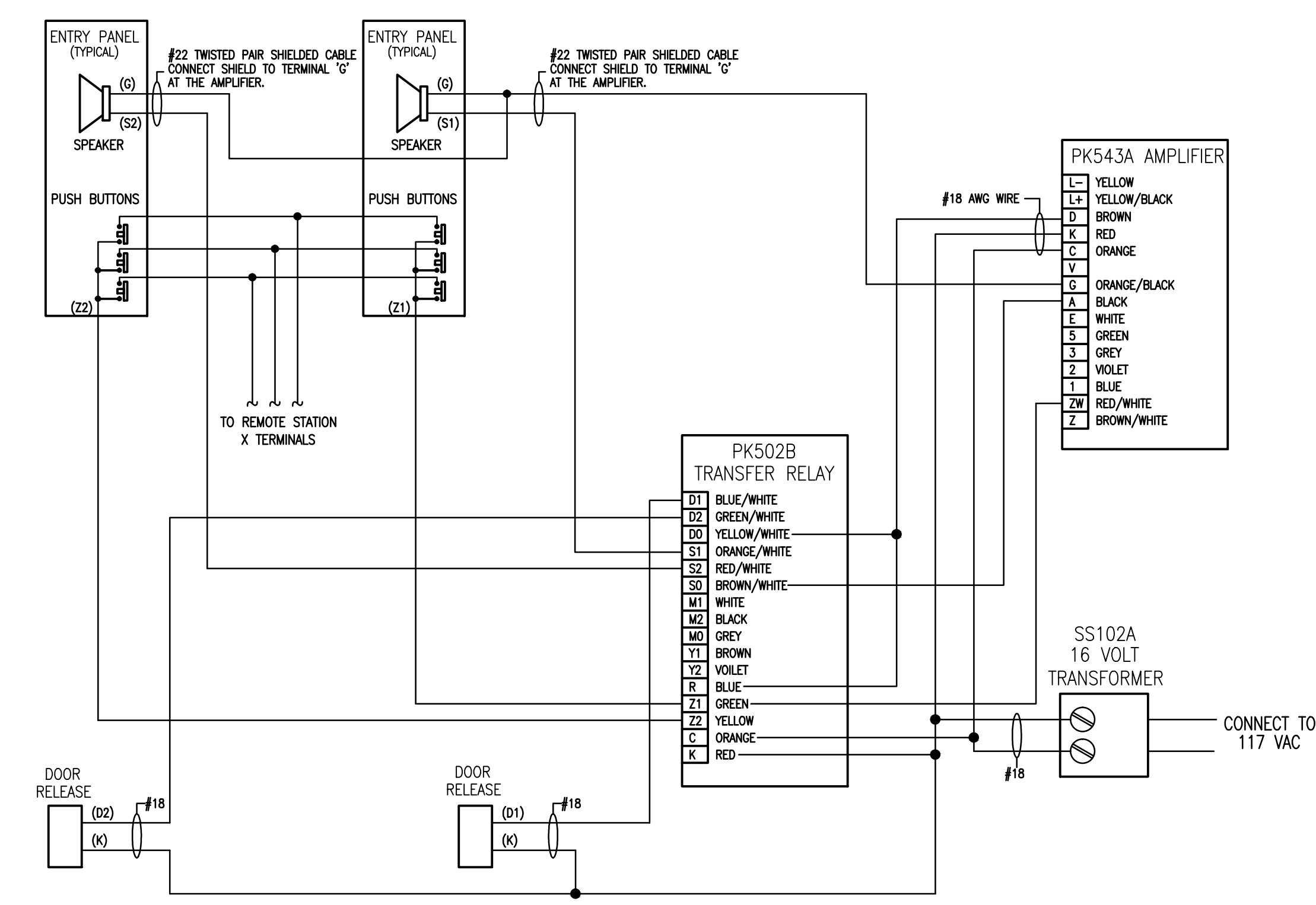


FIGURE 2 - PK502B WIRING DIAGRAM FOR THE PK543/A AND 2 ENTRANCES

**SimplexGrinnell** BE SAFE.  
A Tyco International Company

20 THOMAS DRIVE  
WESTBROOK, ME 04092  
SALES: 207-842-6440  
SERVICE: 207-842-6440  
FAX: 207-842-6439

FIRE ALARM & APARTMENT INTERCOM SYSTEM  
RISER DIAGRAM & DETAILS  
PEARL PLACE II  
184 PEARL STREET  
PORTLAND, MAINE

NO.	DATE	REVISION DESCRIPTION

DRAWN BY: J. STEPHENS      DATE: 1/13/11  
 CHECKED BY: KALAFARSKI      DATE: 1/24/12

PROJECT NUMBER: 147419994

SHEET TITLE: FIRE ALARM/INTER SYSTEM RISER DIAGRAM & DETAILS

SHEET NUMBER: EY-201  
EY-201.dwg