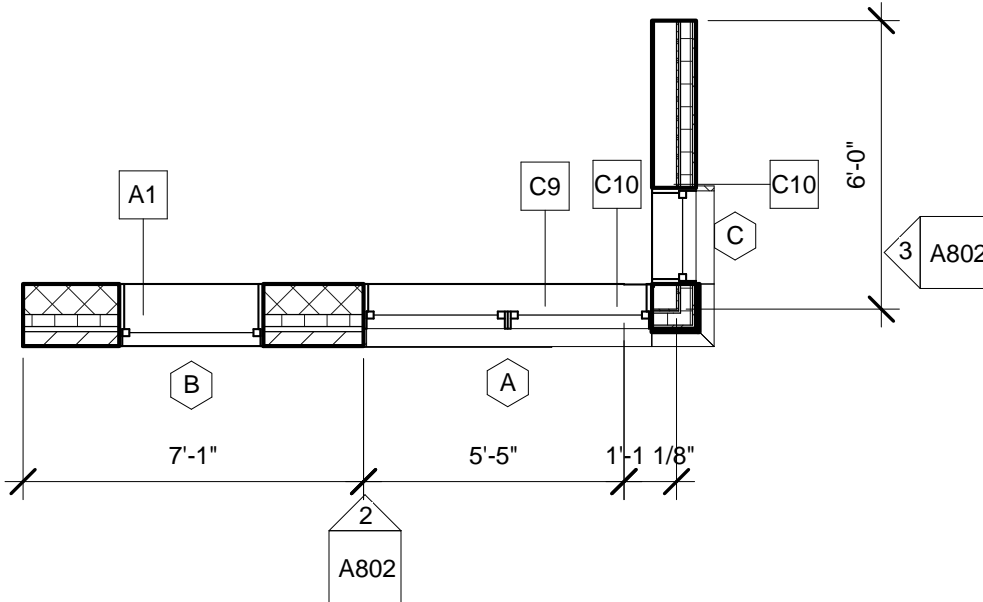
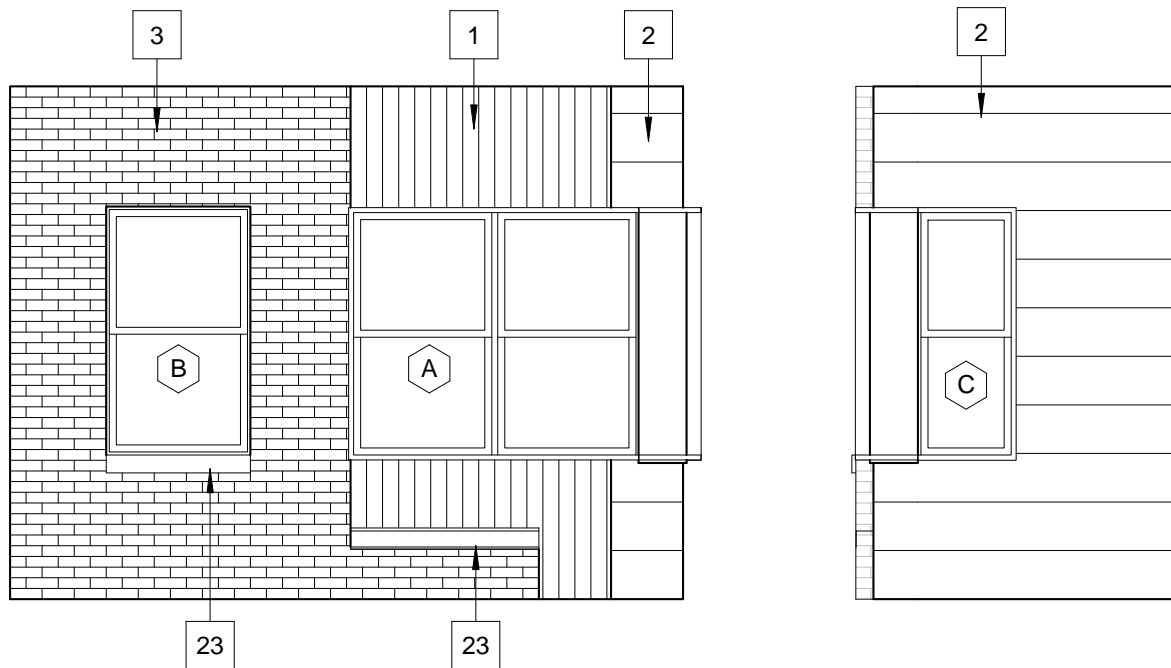


ELEVATION KEYNOTES	
Key Value	Keynote Text
1	METAL SIDING TYPE A
2	METAL SIDING TYPE B
3	BRICK TYPE A
23	METAL FLASHING



① INTEGRATED MOCK-UP PLAN  
1/4" = 1'-0"



② INTEGRATED MOCK-UP ELEVATION A  
1/4" = 1'-0"

③ INTEGRATED MOCK-UP ELEVATION B  
1/4" = 1'-0"



ARCHITECTURE  
INTERIOR DESIGN  
PLANNING

49 DARTMOUTH STREET  
PORTLAND, MAINE 04101  
www.pdtarchs.com

© 05/26/11DT Architects

**Pearl Place II**  
184 Pearl Street

TITLE  
**INTEGRATED MOCK-UP**

JOB # 10020  
DATE 07/13/11  
SCALE 1/4" = 1'-0"

SHEET  
**A802**

Checker

C:\Users\cogan.PDT\ARCHS\Documents\PPII\_CENTRAL\_cogan.rvt