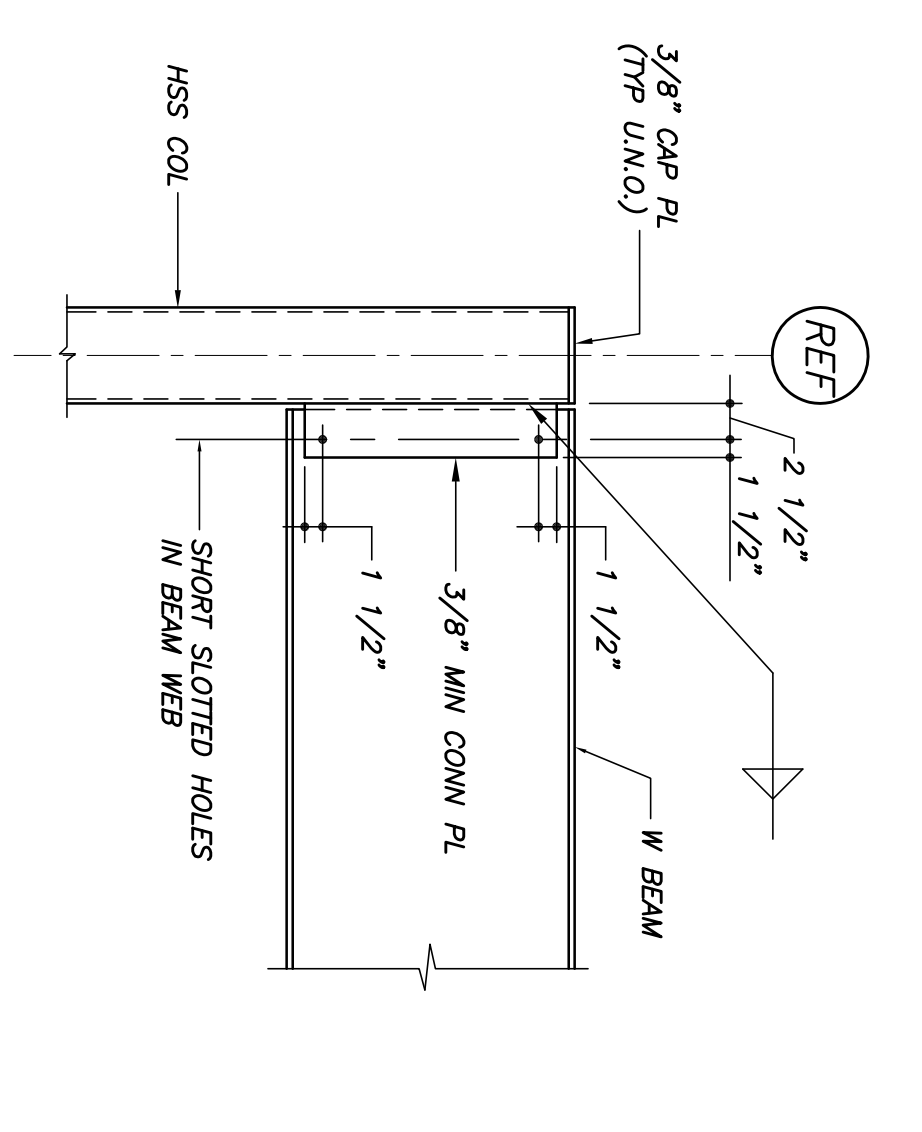
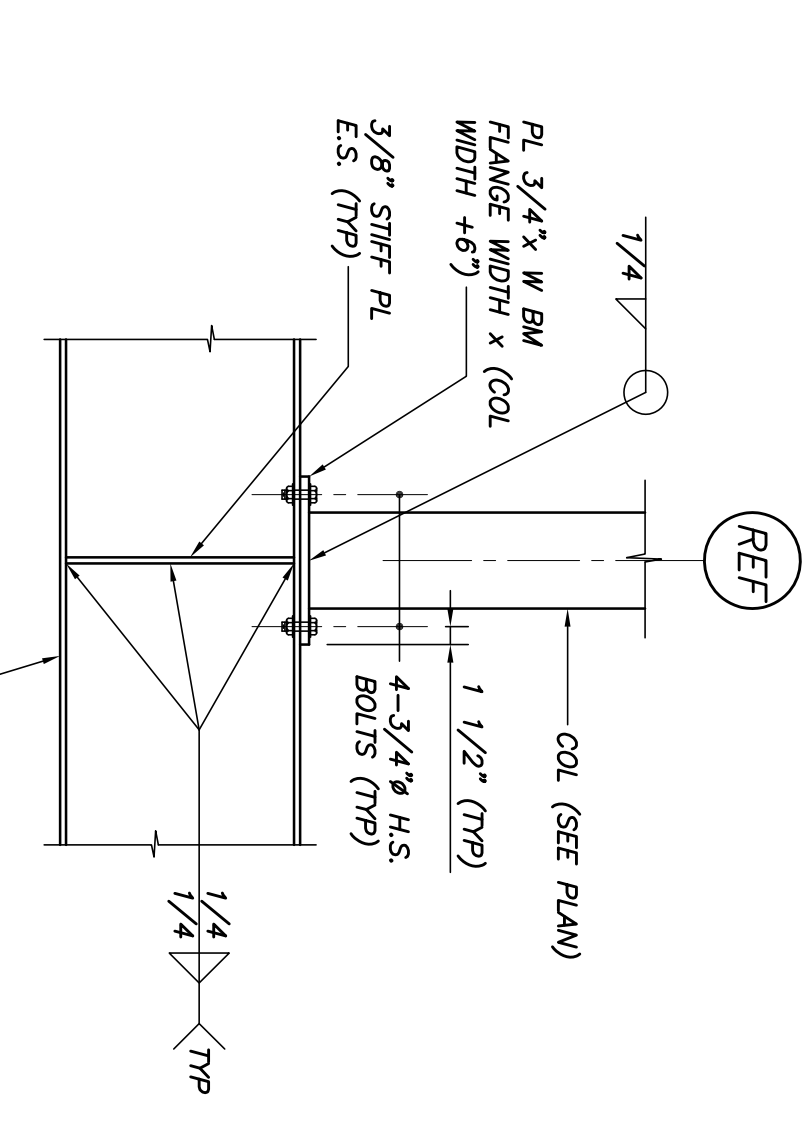


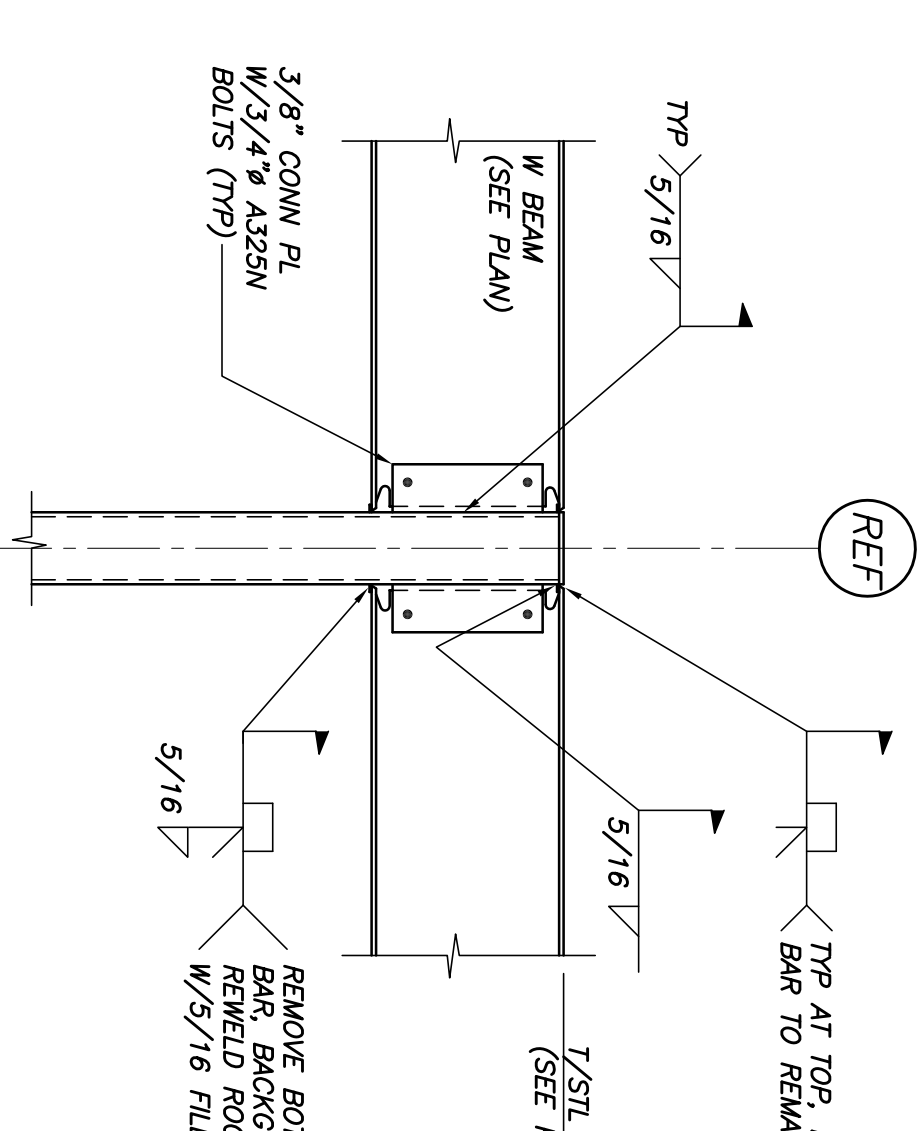
TYP BEAM TO W COL CONN DETAILS
N.T.S.



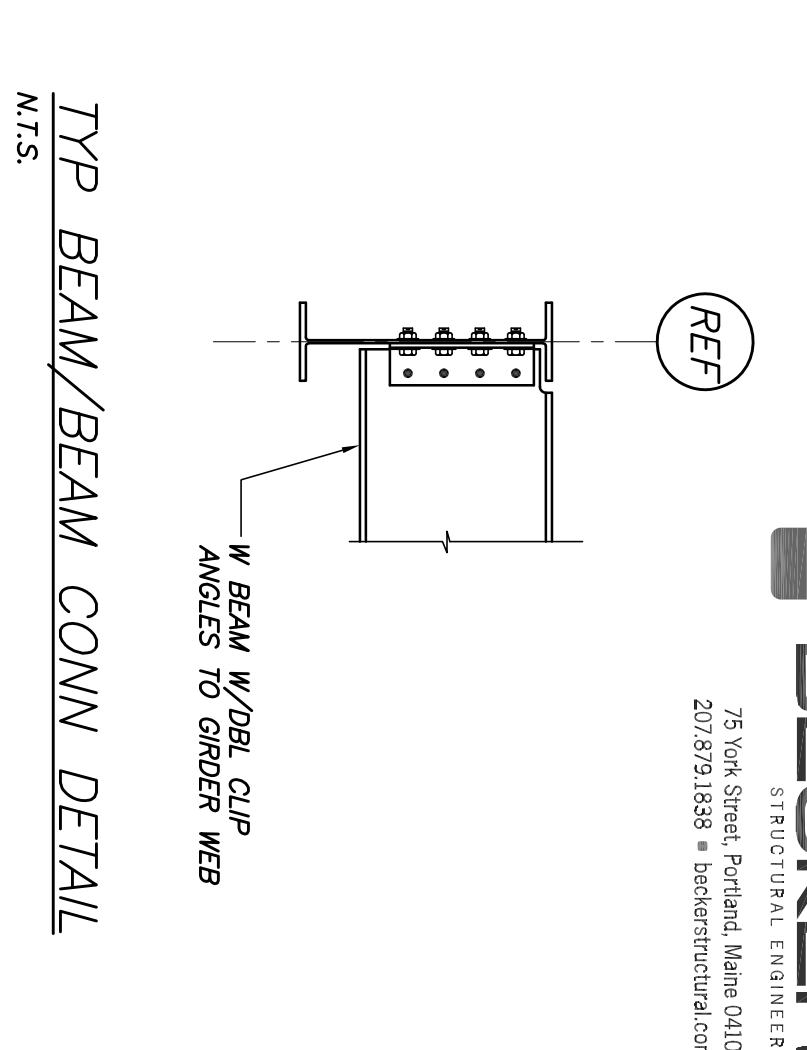
TYP BEAM TO HSS COL CONN U.N.O.
N.T.S.



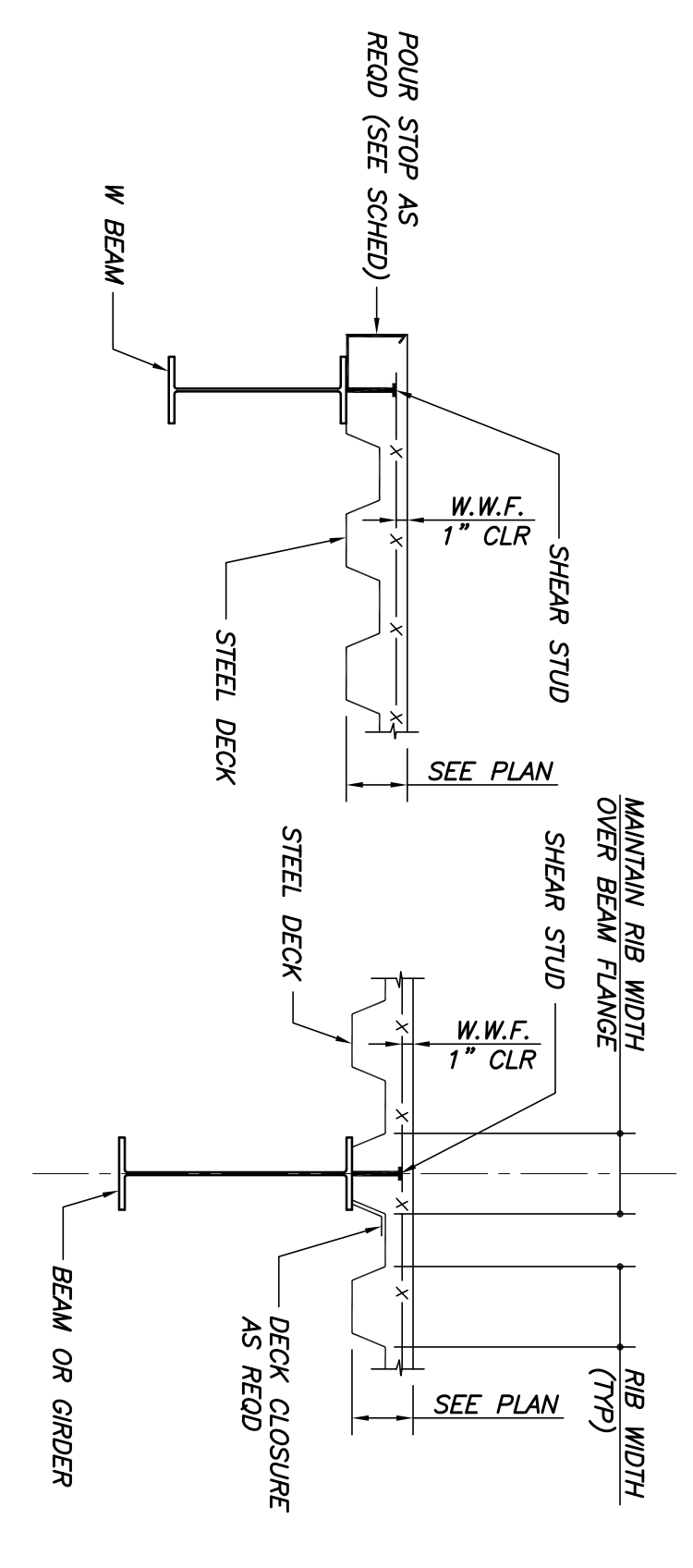
TYP COL TRANSFER DETAIL
N.T.S.



TYP MOMENT CONN DETAIL U.N.O.
N.T.S.



TYP BEAM/BEAM CONN DETAIL
N.T.S.

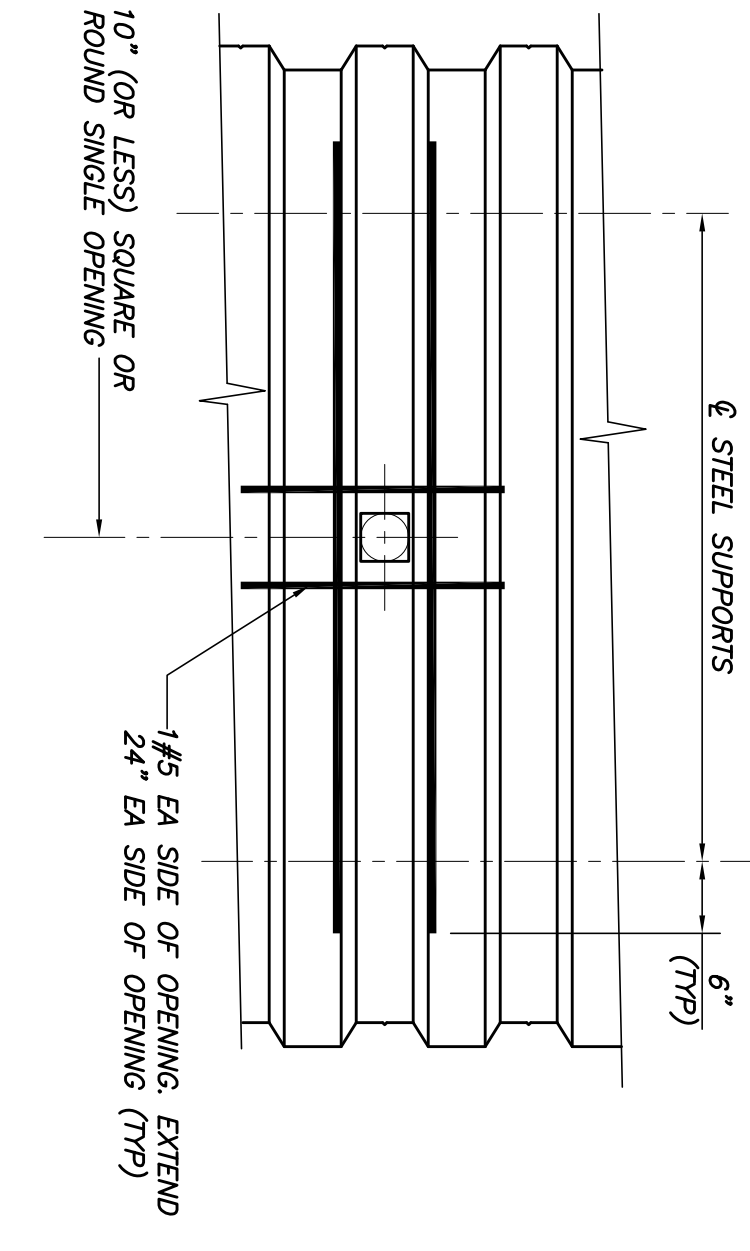


TYP COMPOSITE DECK DETAILS
N.T.S.

POUR STOP SCHEDULE

OVERHANG	POUR STOP GAUGE
<3"	14 GA
3"-4"	12 GA
7"-9"	10 GA
>9"	SEE DETAILS & SECTIONS

PLAN OF TYP OPENING IN COMPOSITE FLOOR DECK
N.T.S.

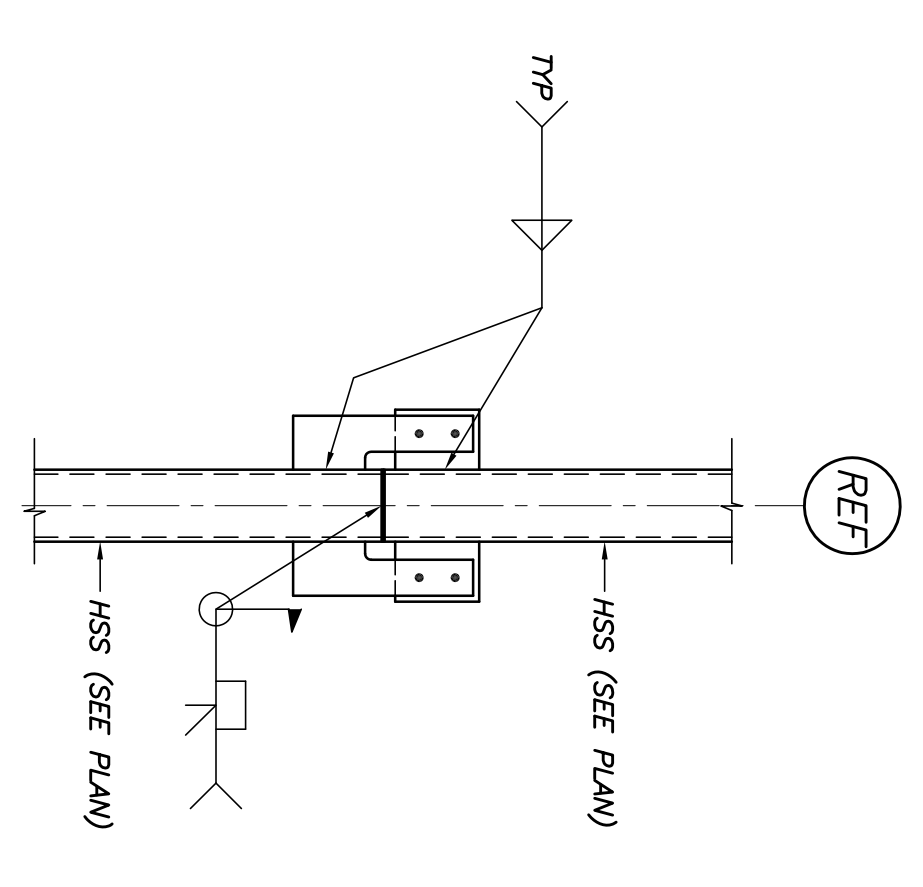


SIMPLE SHEAR BEAM CONN. SCHEDULE

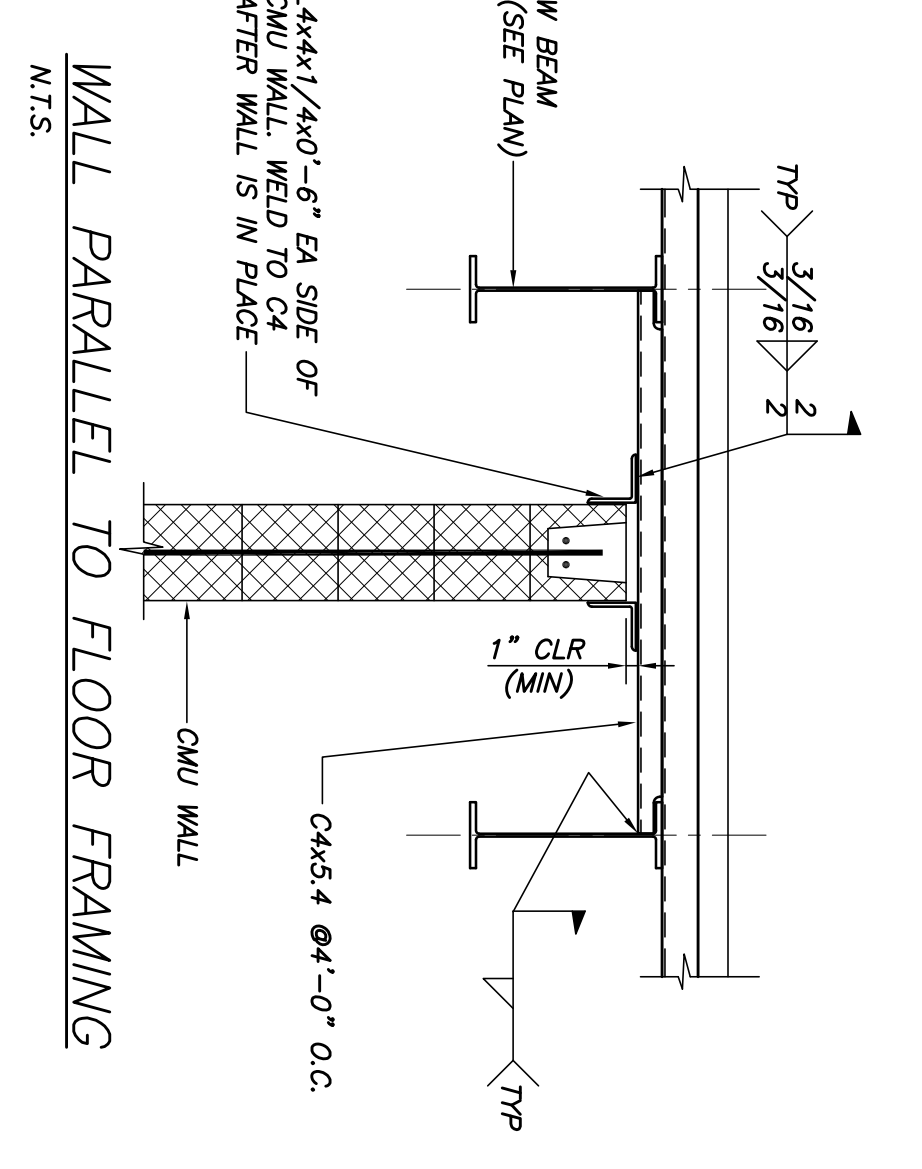
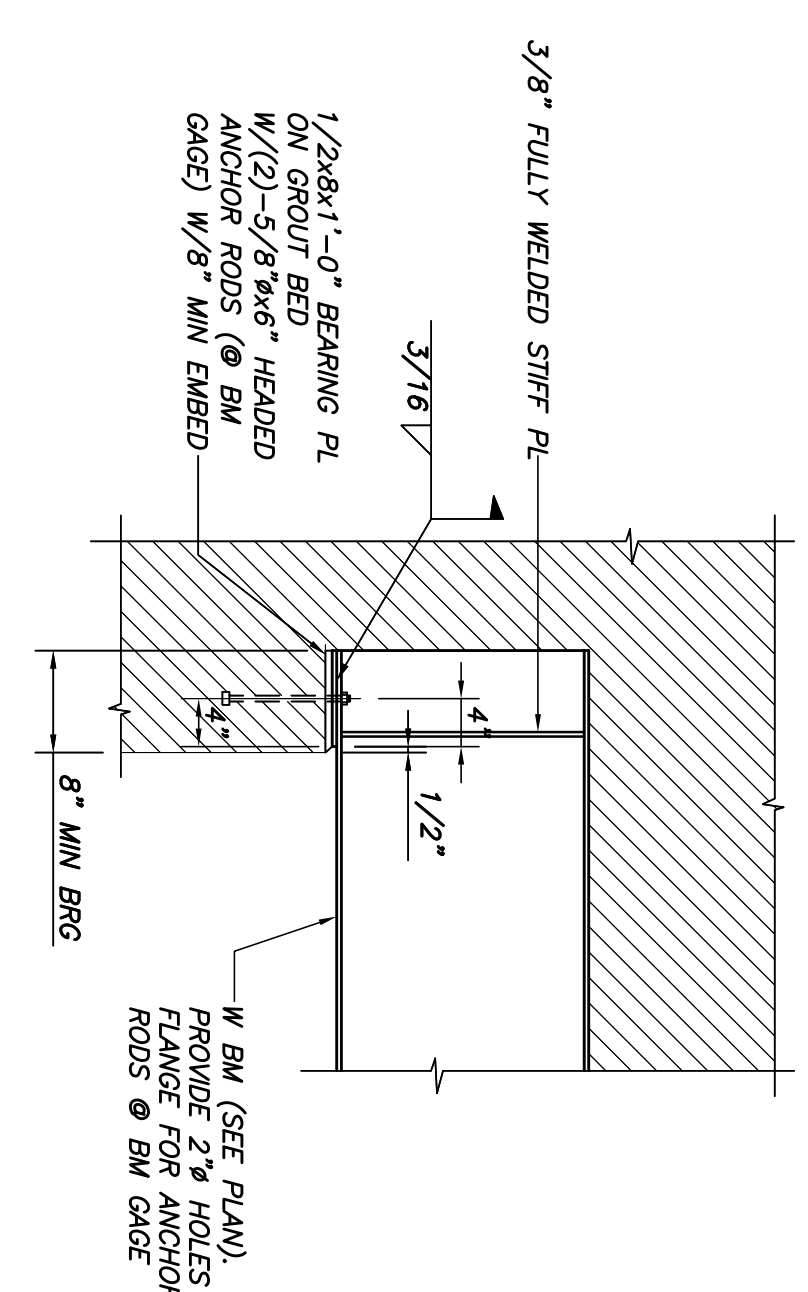
BEAM SIZE	DESIGN REACTION	MINIMUM NO BOLTS 1 SIDED CONNECTION	MINIMUM NO BOLTS 2 SIDED CONNECTION
W8	20K	2	2
W10	35K	3	2
W12	35K	3	2
W14	40K	3	3
W16	40K	4	3
W18	60K	5	4
W21	65K	5	4
W24	65K	6	4

SIMPLE SHEAR CONNECTIONS NOTES:
1. SIMPLE SHEAR CONNECTIONS SHALL BE SELECTED FROM THE AISC MANUAL OF STEEL CONSTRUCTION, THIRTEENTH EDITION, USING THE ABOVE REFERENCED REACTIONS AND CRITERIA. REACTIONS INDICATED ARE UNFACTORED (SERVICE LEVEL LOADS).
2. BOLTS SHALL BE REFERENCED IN THE MINIMUM SECTIONS ABOVE MAY BE REQUIRED.
3. CONNECTIONS ARE SUBJECT TO REVIEW ON THE STEEL SHOP DRAWINGS.
4. ALL BOLTS SHALL BE A325 OR A490 FOR SIMPLE SHEAR CONNECTIONS. MIN 3/4" DIA. ANGLES SHALL BE 3/16" THICK. MINIMUM WELD SIZE FOR PLATES OR ONE SIDED CONNECTIONS INCLUDE SINGLE PLATES AND SINGLE ANGLE CONNECTIONS.
5. TWO SIDED CONNECTIONS INCLUDE DOUBLE ANGLE AND END PLATE CONNECTIONS.

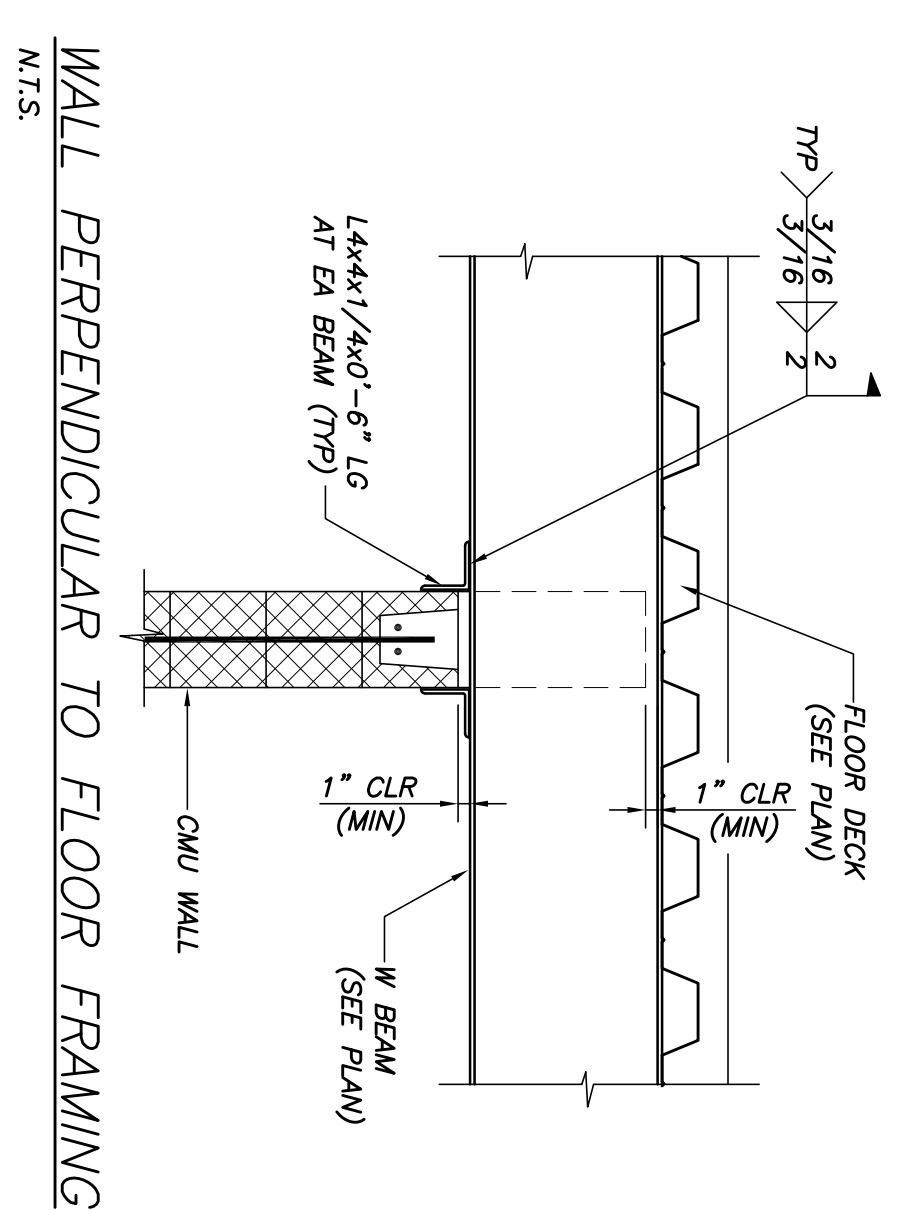
TYP HSS COLUMN SPLICE DETAIL
N.T.S.



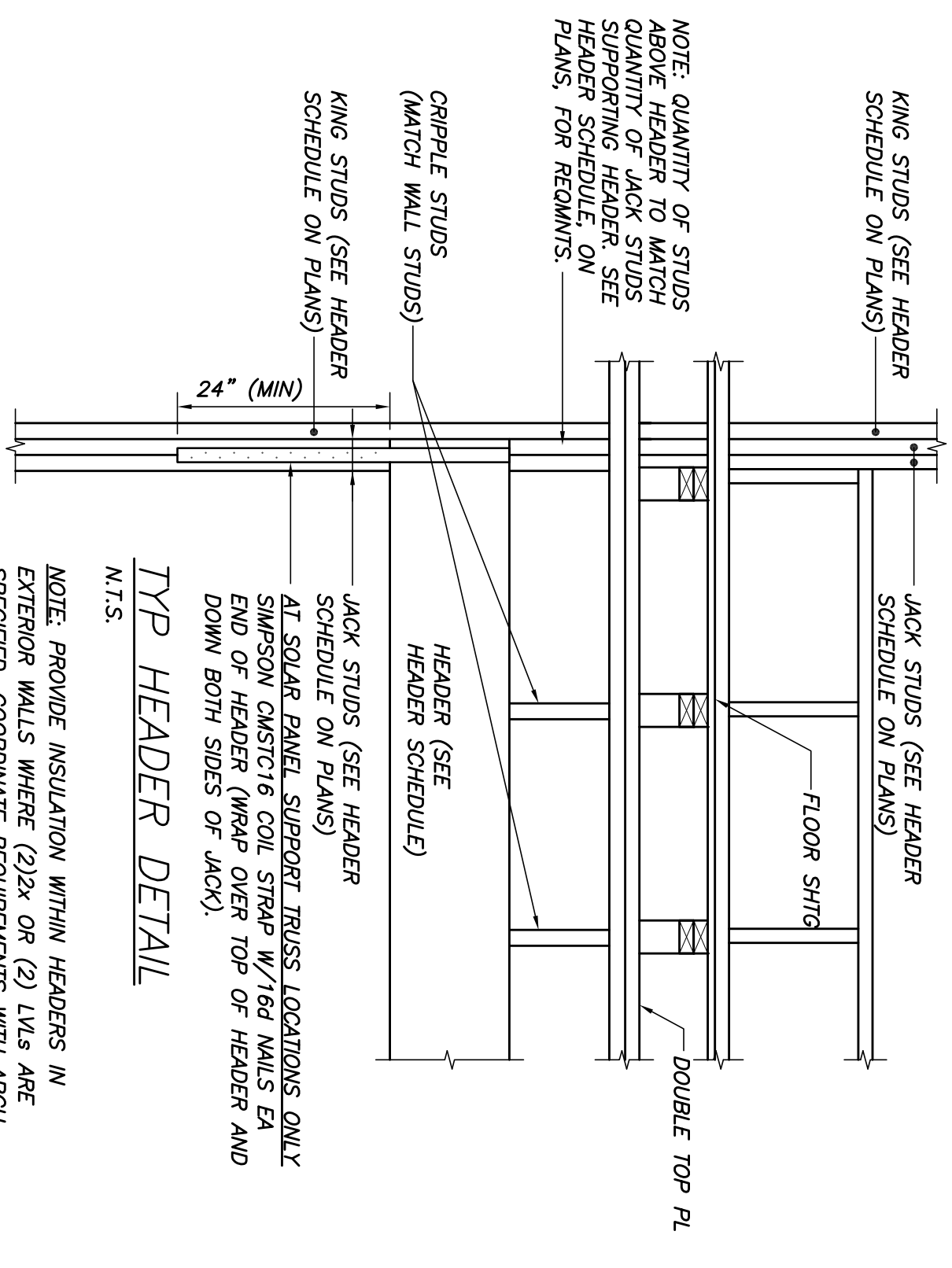
TYP LINTEL DETAIL U.N.O.
N.T.S.



TYP LATERAL RESTRAINTS AT TOP OF CMU PARTITION WALLS
N.T.S.

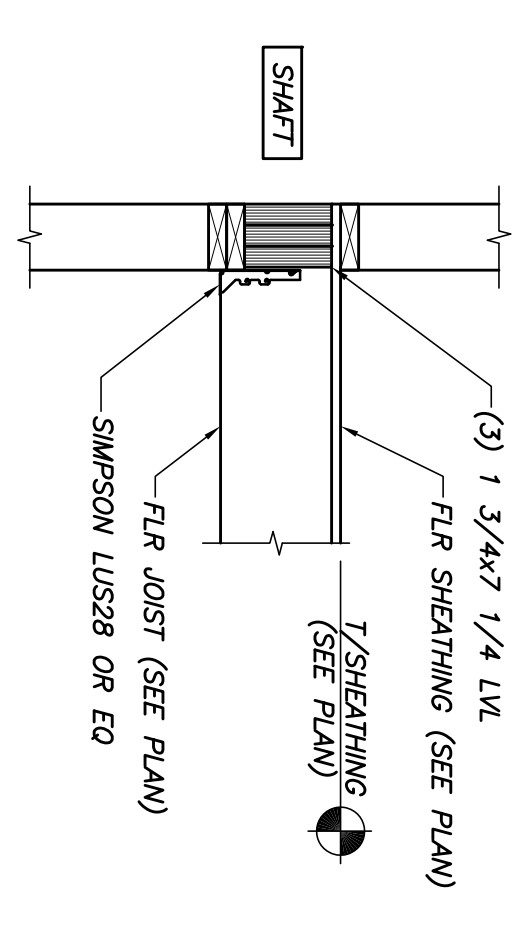


TYP LATERAL RESTRAINTS AT TOP OF CMU PARTITION WALLS
N.T.S.

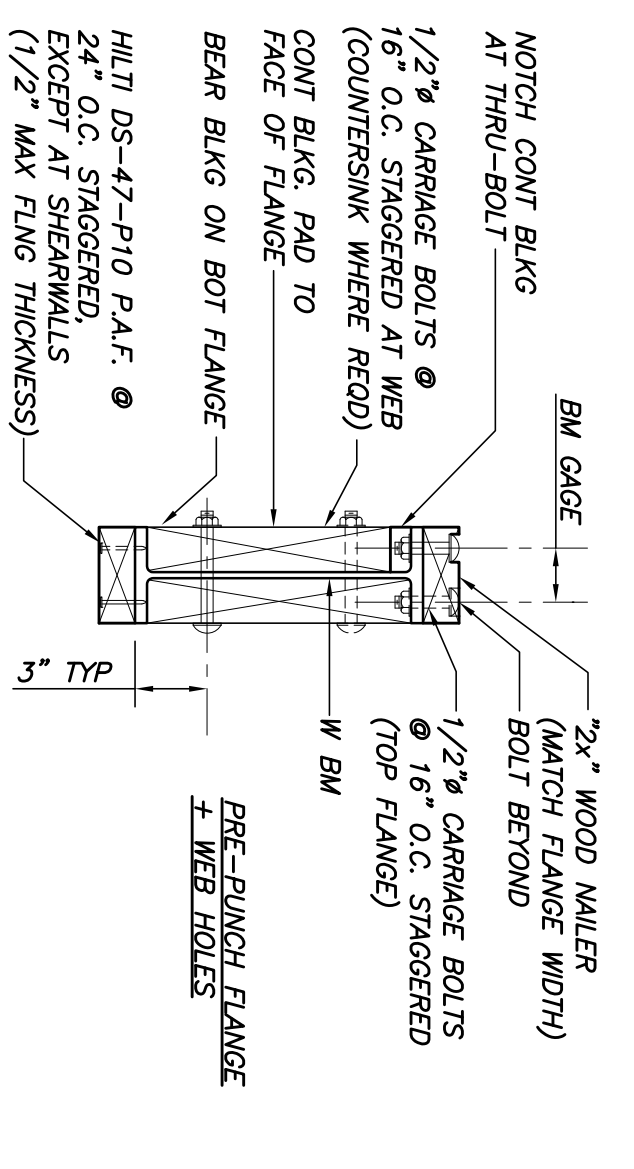
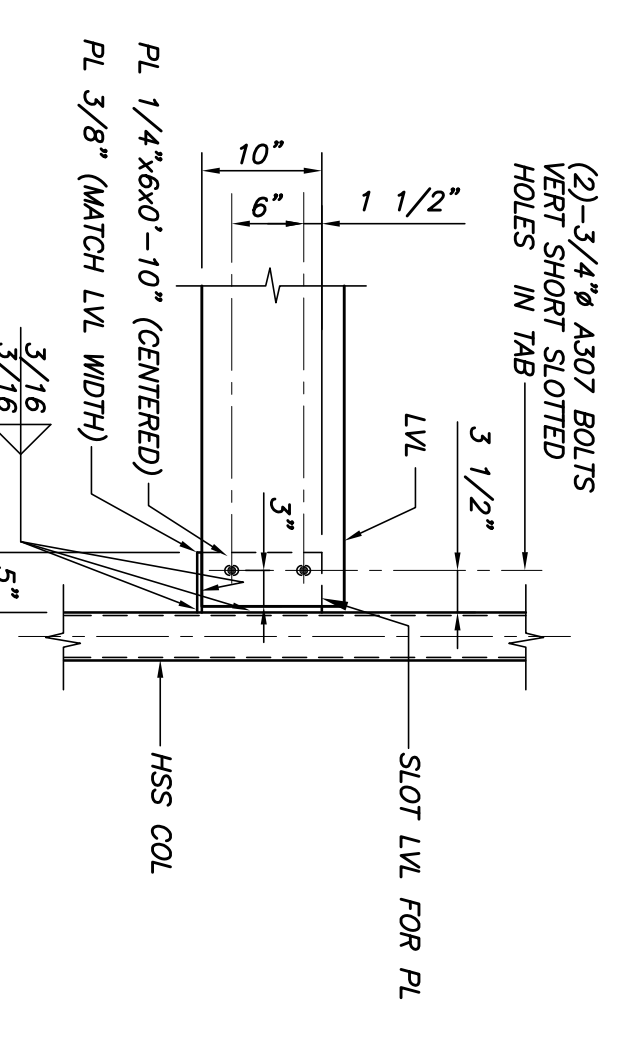


TYP HEADER DETAIL
N.T.S.

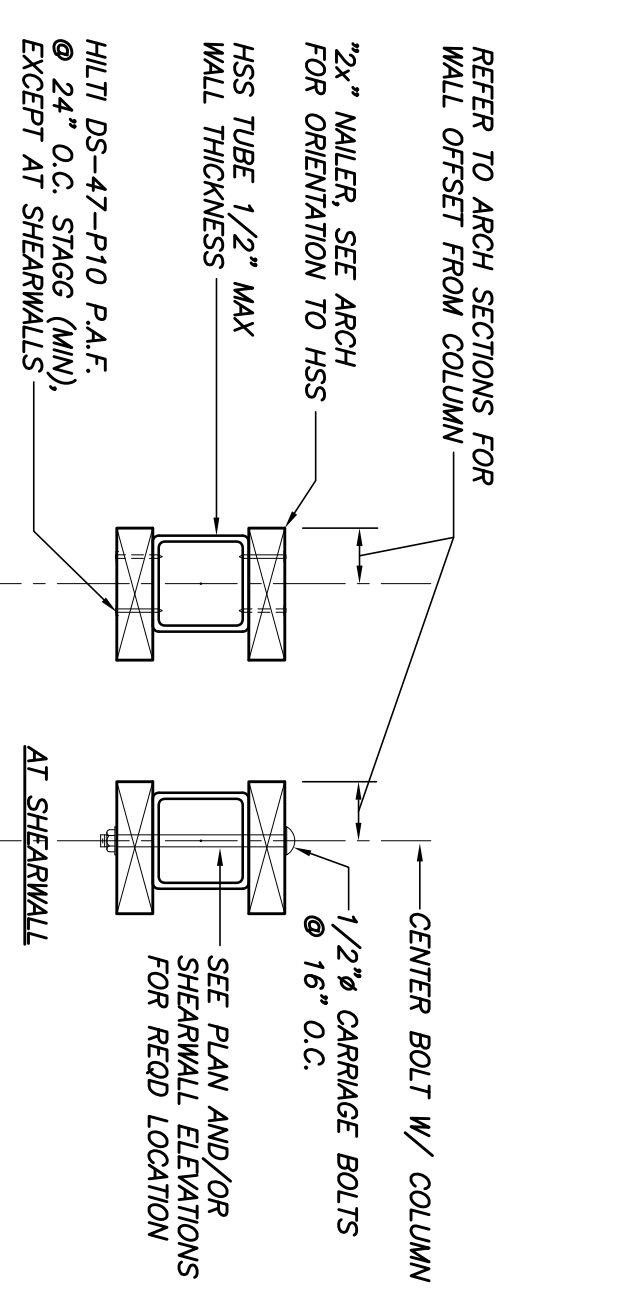
TYP SECTION AT SHAFTS/CHASES ALONG CORRIDOR
3/4"x1'-0"



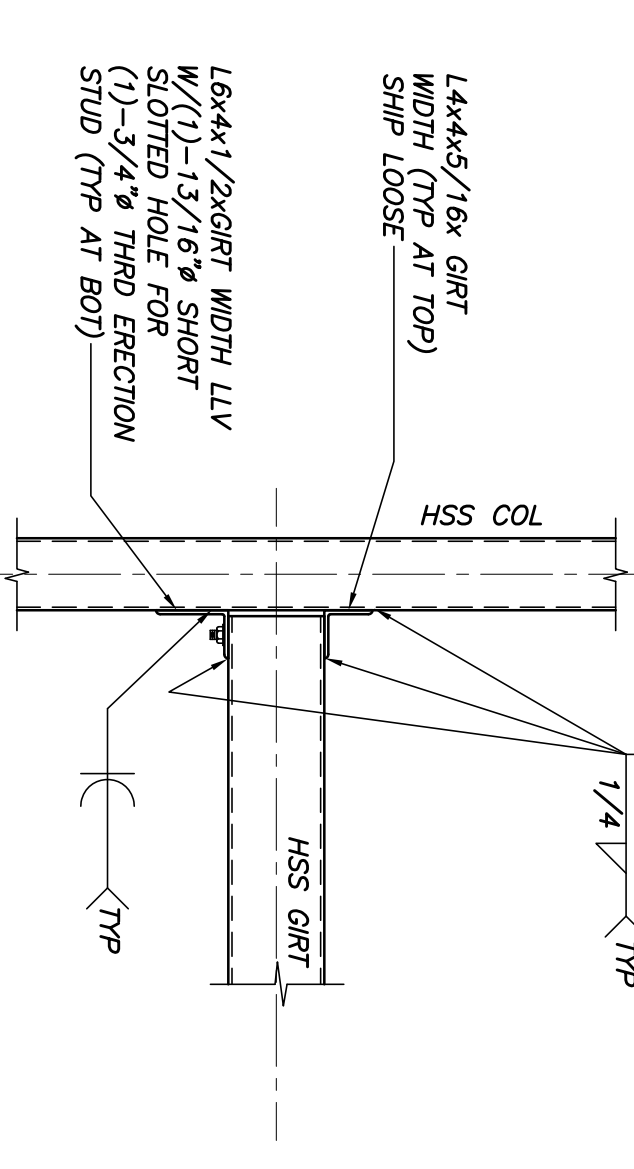
TYP LVL TO HSS COL CONN
3/4"x1'-0"



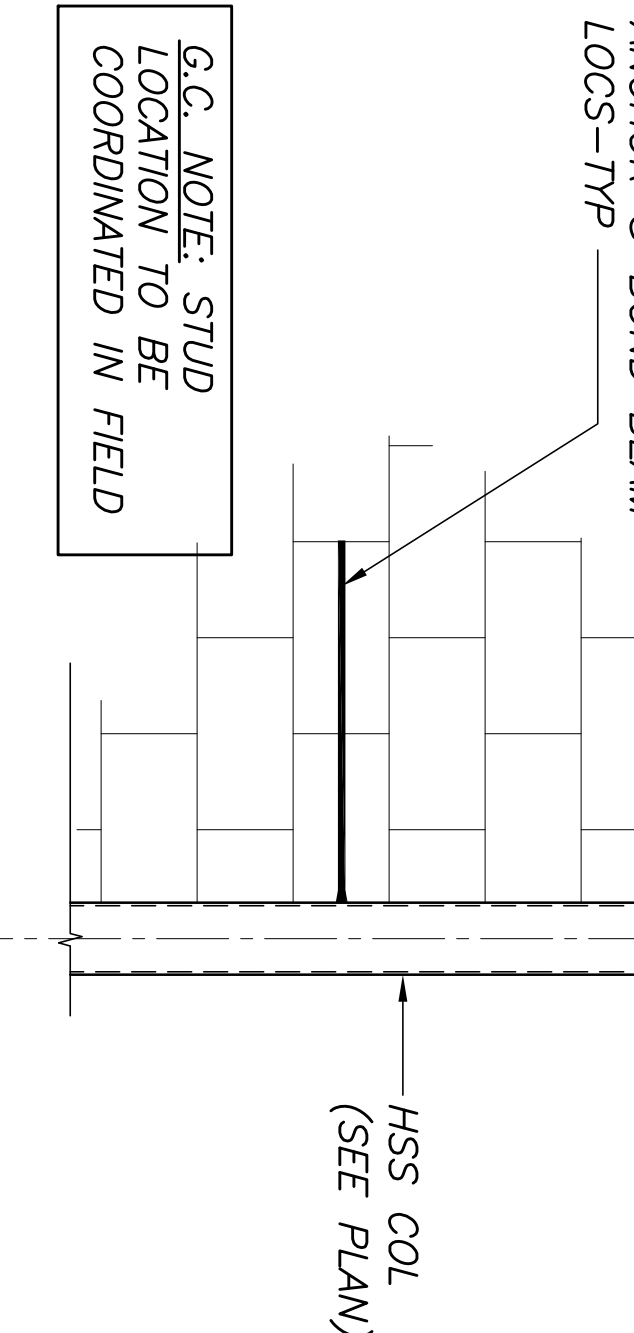
TYP WOOD NAILER/WEB BKG TO W-BM DETAIL
N.T.S.



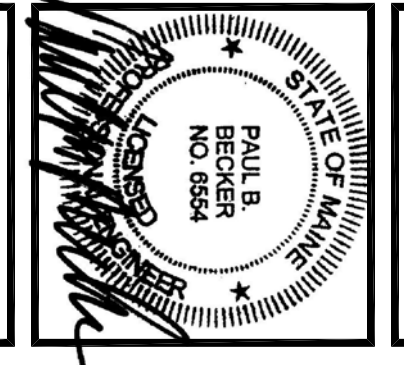
TYP WOOD NAILER TO HSS COL DETAIL
N.T.S.



TYP HSS GIRT TO HSS COL DETAIL U.N.O.
N.T.S.



TYP HSS COL TO CMU WALL ATTACHMENT.
N.T.S.



S3.1

JOB NO.	10-020
DATE	10-04-20
SCALE	AS NOTED
ISSUE	3 AUGUST 2011
TITLE	FRAMING SECTIONS AND DETAILS
SHEET	

Pearl Place II
184 Pearl Street