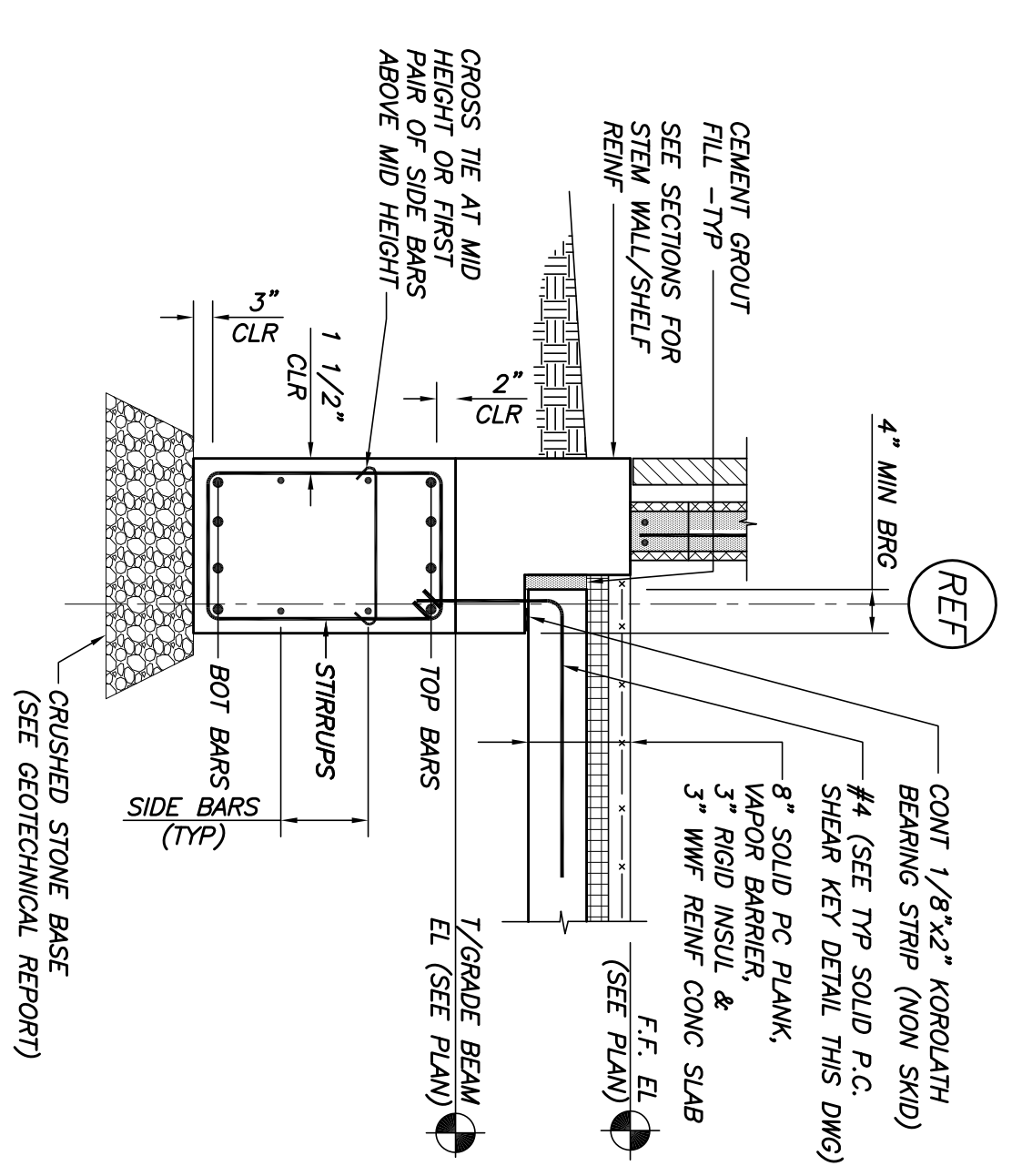
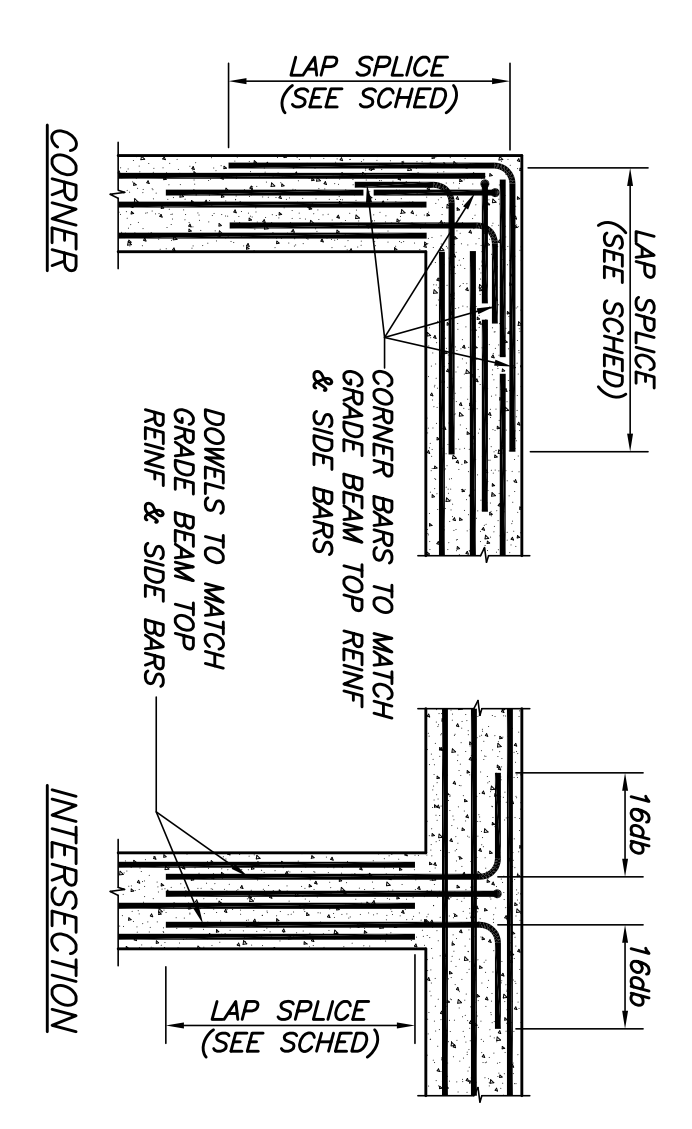


GRADE BEAM SCHEDULE (LAP LENGTH)					REMARKS
MARK	SIZE	BOT BARS	TOP BAR	STIRRUPS/VERT BARS	HORIZ. SIDE BARS (E.F.) (LAP LENGTH)
GB-1	1'-4" 3'-0"	3#6	3#5	#4016" O.C.	2#4 (24")
GB-2	2'-0" 3'-0"	4#5	4#5	#4016" O.C.	2#4 (24")
GB-3	2'-0" 3'-0"	4#6	4#6	#4016" O.C.*	2#4 (24")
GB-4	2'-0" 3'-0"	4#8	4#8	#4016" O.C.*	2#4 (24")
GB-5	2'-0" 3'-0"	4#8	4#8	#4016" O.C.	2#4 (24")
GB-6	2'-0" 3'-0"	6#8	4#8	#4016" O.C.	2#4 (24")
GB-7	2'-0" 3'-0"	4#6	4#8	#4016" O.C.*	2#4 (24")
GB-8	1'-4" 3'-0"	3#5	3#5	#4024" O.C.	2#4 (24")

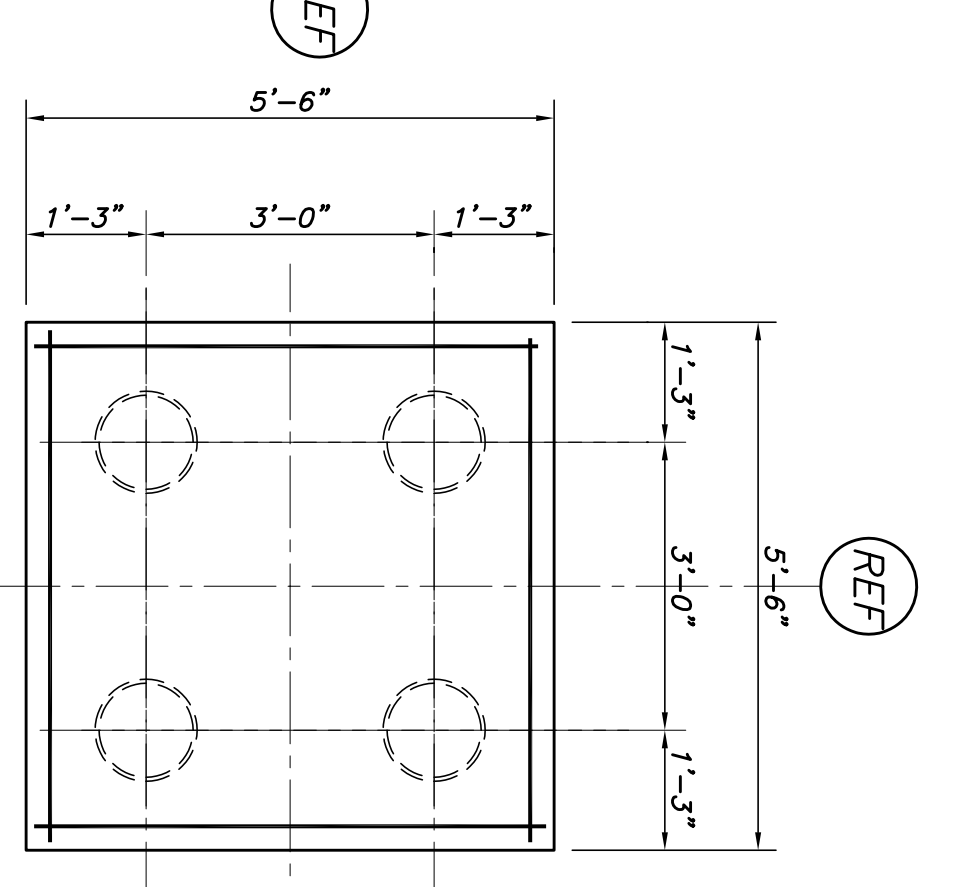
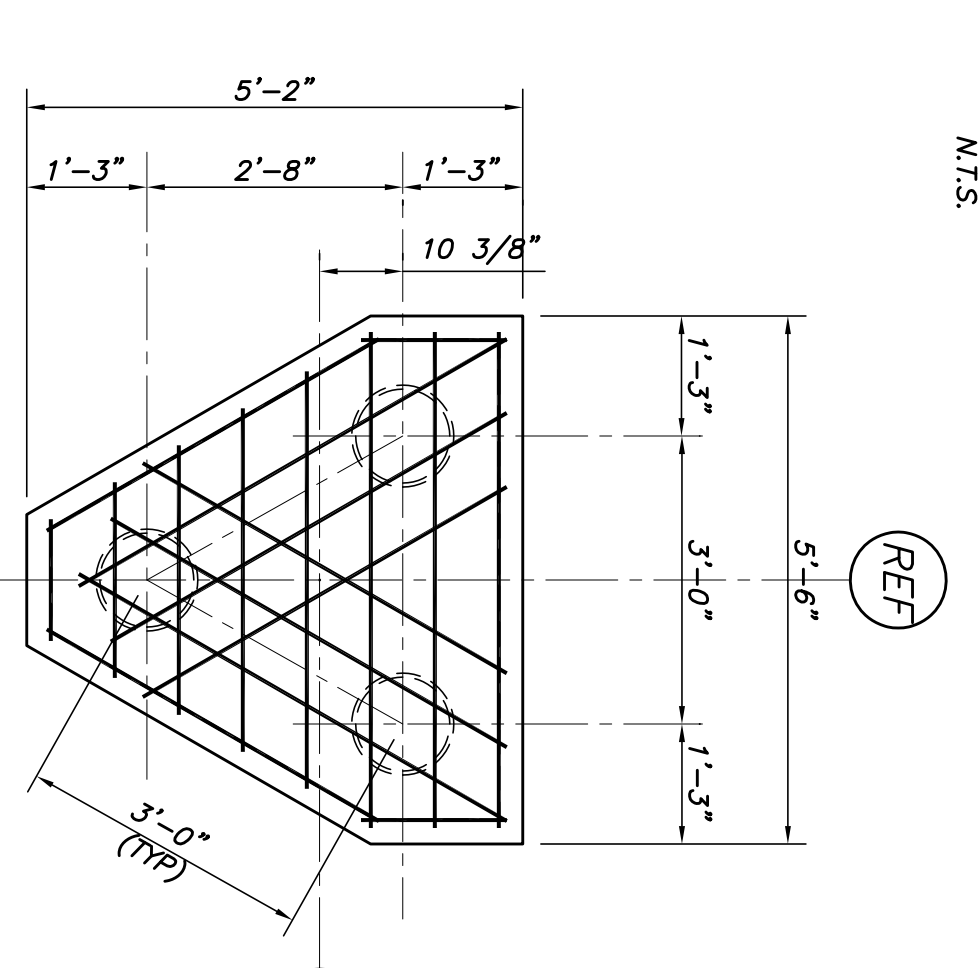
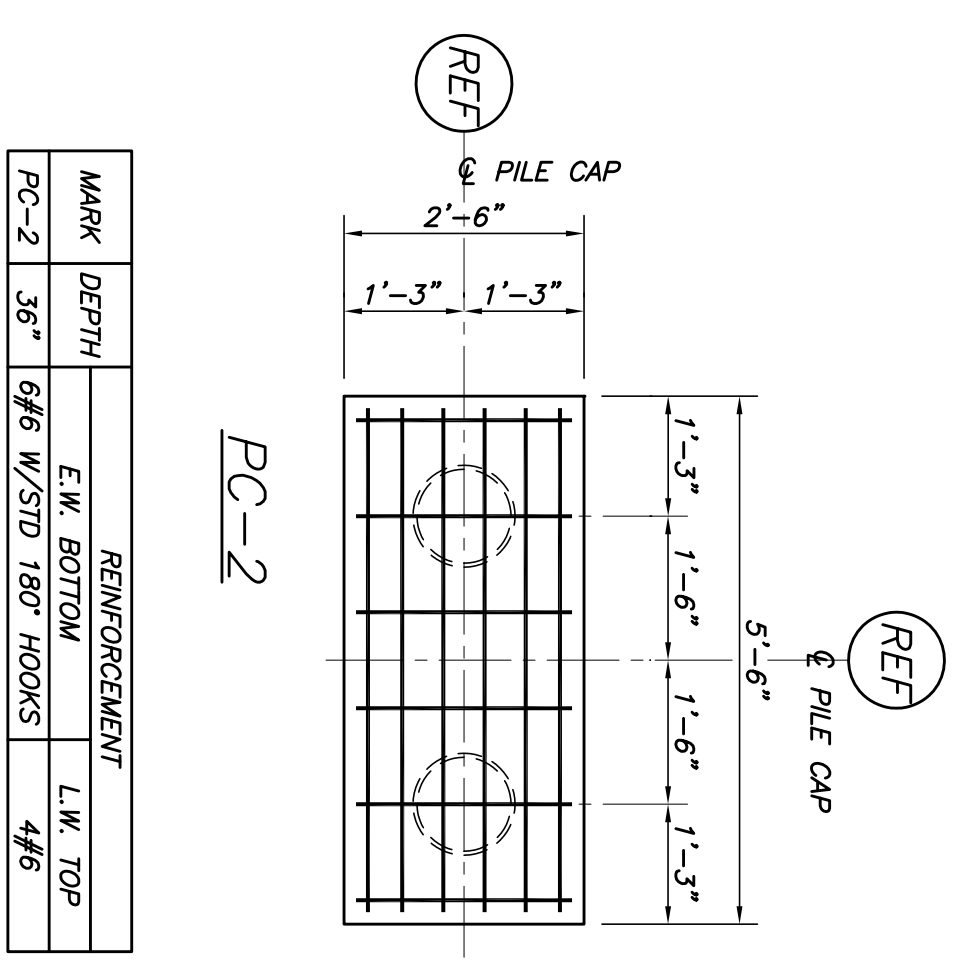
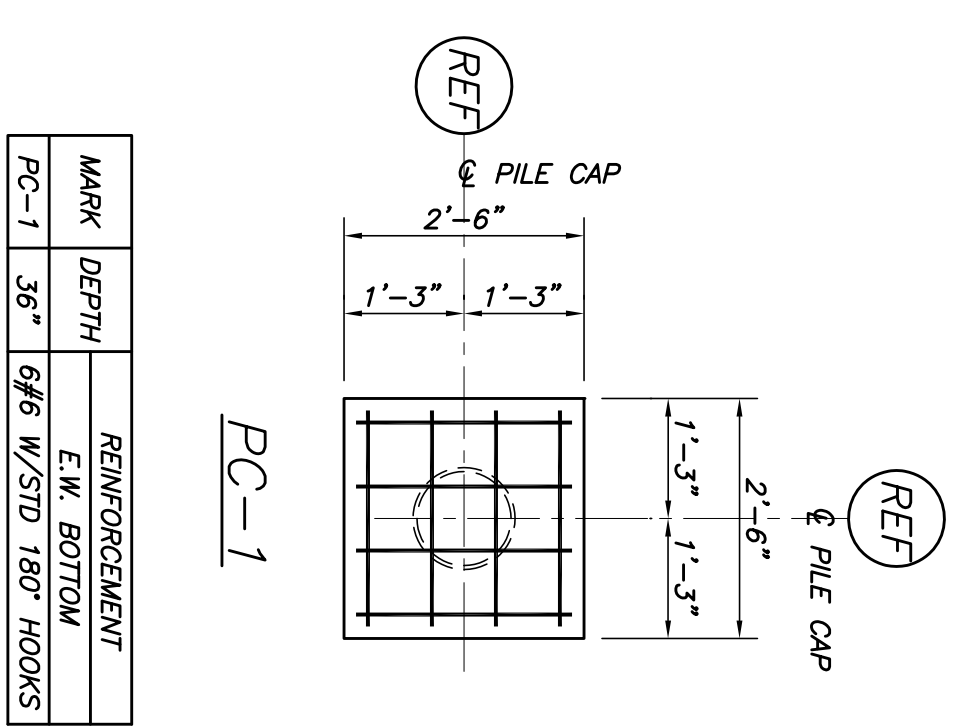
NOTES:
1. * INDICATES LOCATIONS WHERE HORIZ. SIDE BARS SHALL BE 2#8 W/60" LAP LENGTH E.F. AND STIRRUPS #406" O.C.
- SEE PLAN FOR LOCATIONS.



TYP GRADE BEAM DETAIL
N.T.S.



TYP GRADE BEAM CORNER REINF. DETAILS
N.T.S.

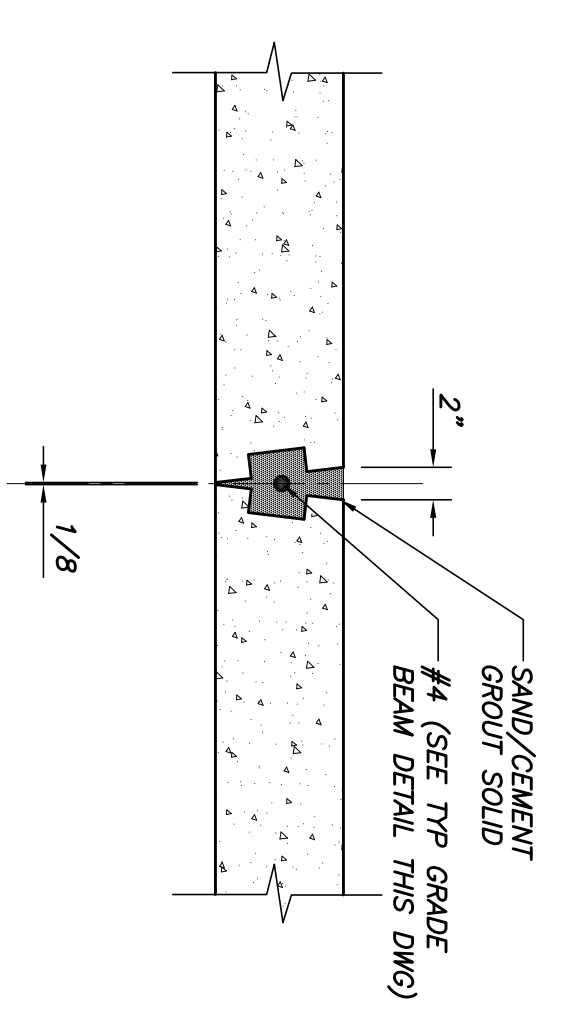


MARK	DEPTH	REINFORCEMENT
PC-1	36"	6#6 W/STD 180" HOOKS

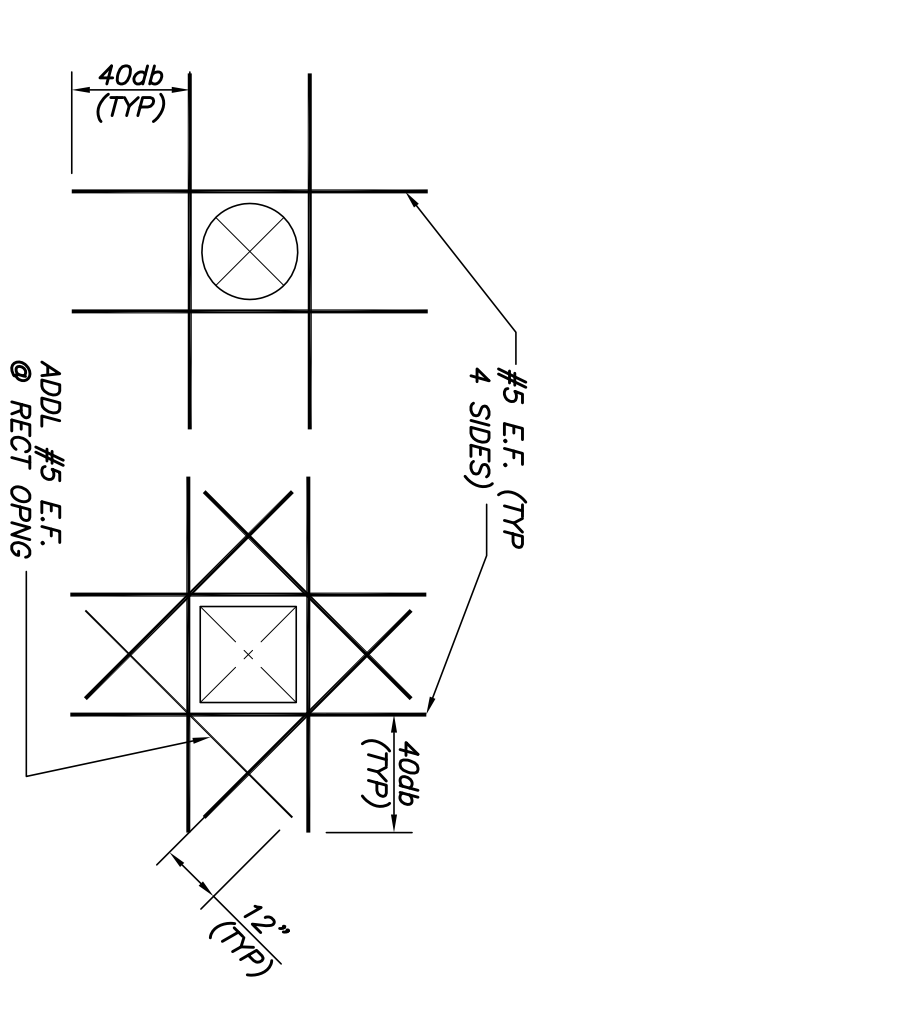
MARK	DEPTH	E.W. BOTTOM	L.W. TOP
PC-2	36"	6#6 W/STD 180" HOOKS	4#6

MARK	DEPTH	E.W. BOTTOM	REINFORCEMENT
PC-3	36"	4#8 W/STD 180" HOOKS (3) WAYS	

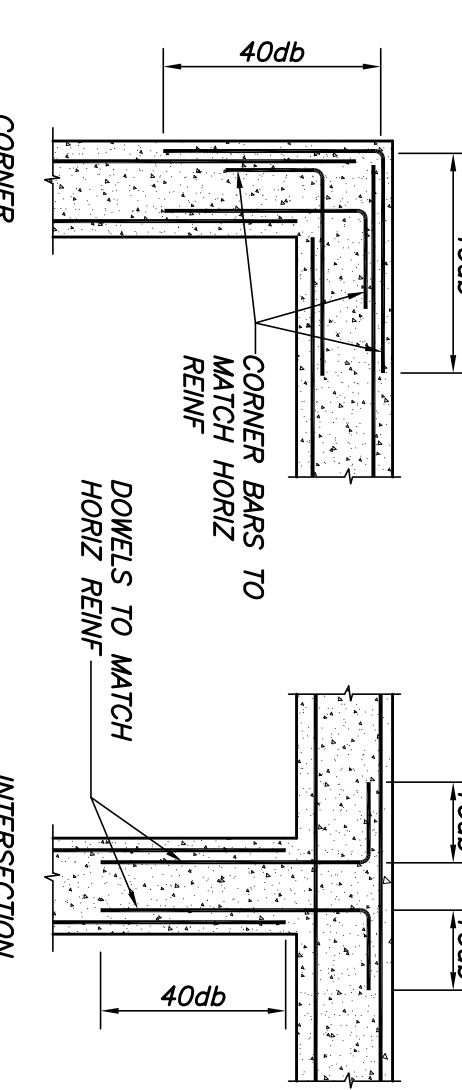
MARK	DEPTH	E.W. BOTTOM	REINFORCEMENT
PC-4	36"	11#6 W/STD 180" HOOKS	



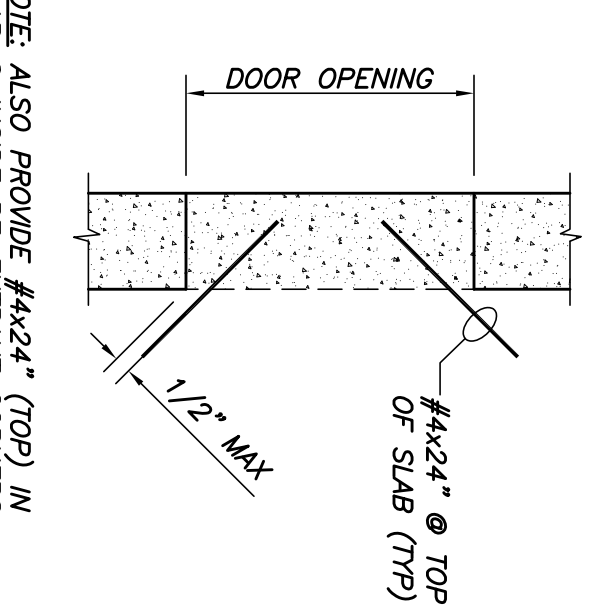
TYP SOLID P.C. SHEAR KEY DETAIL
N.T.S.



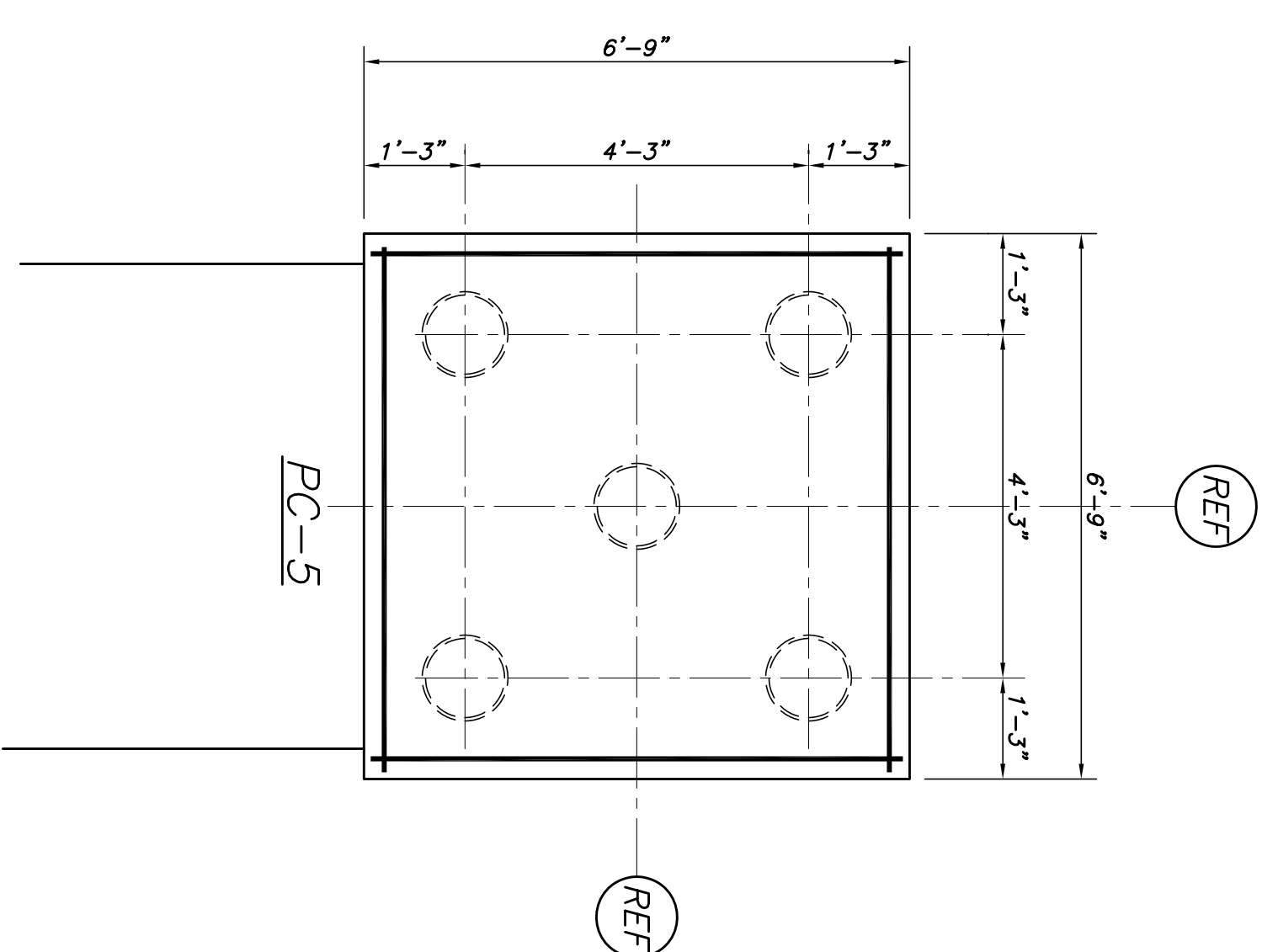
TYP OPENING IN WALL OR SLAB DETAIL
N.T.S.



TYP WALL REINF. DETAILS
N.T.S.

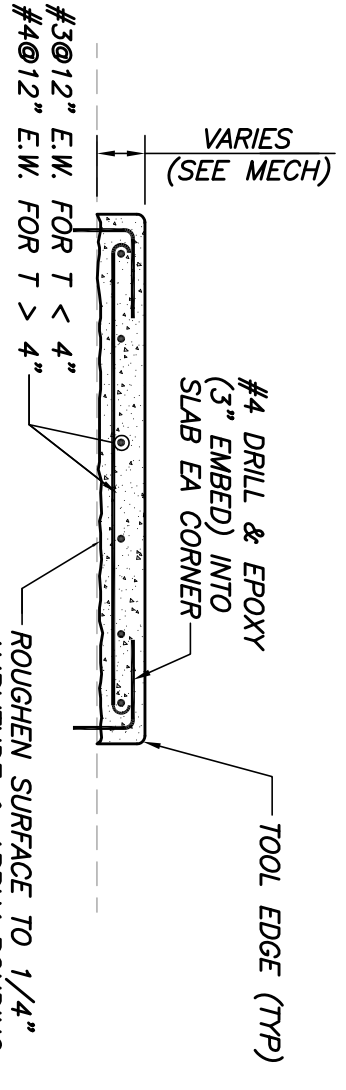


TYP SLAB CORNER DETAIL
N.T.S.

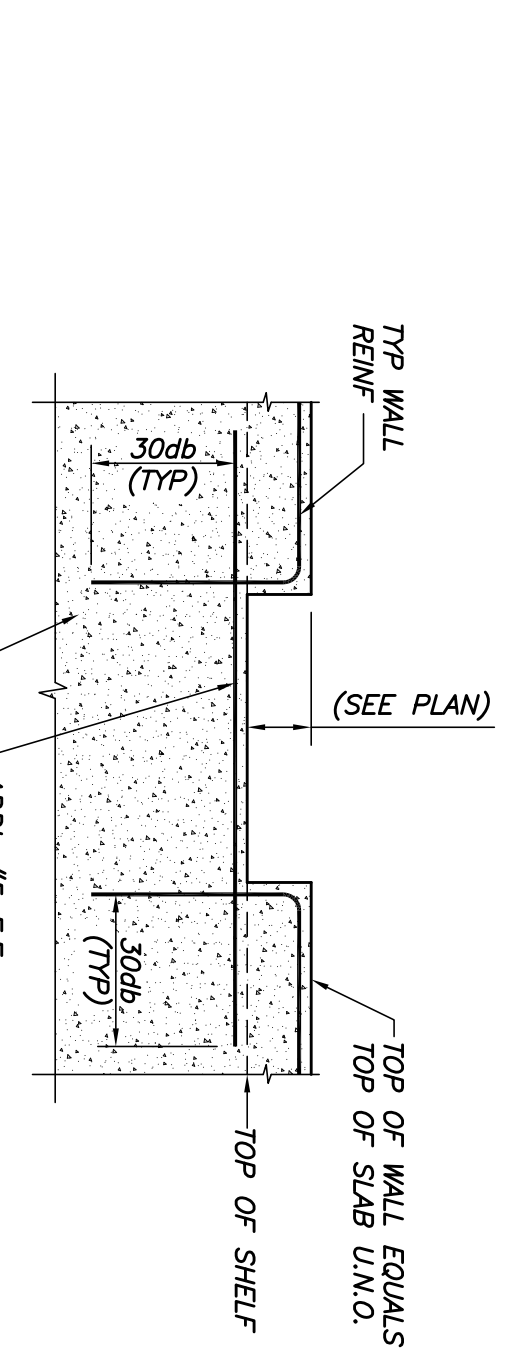


TYP PLAN DETAILS AT CMU WALLS
N.T.S.

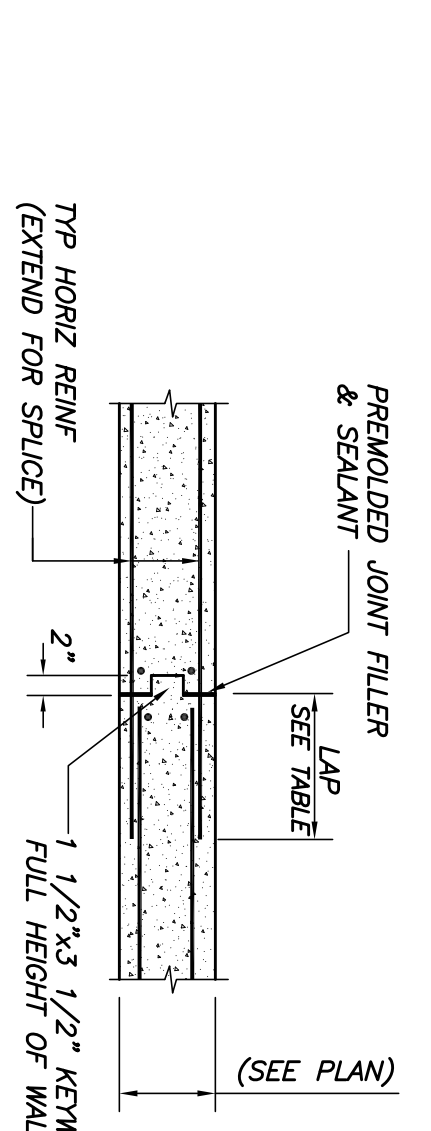
NOTES:
1. REMOVE TRUSS REINFORCEMENT @ 18" O.C. UNTO
2. PROVIDE BOND BEAMS W/2#5 CONT @ TOP OF ALL WALLS AT 48" O.C. MAX.
3. ALL REINFORCED CELLS ARE TO BE GROUTED.
4. LAP BARS AT SPLICES MIN. 48 BAR DIAMETERS.



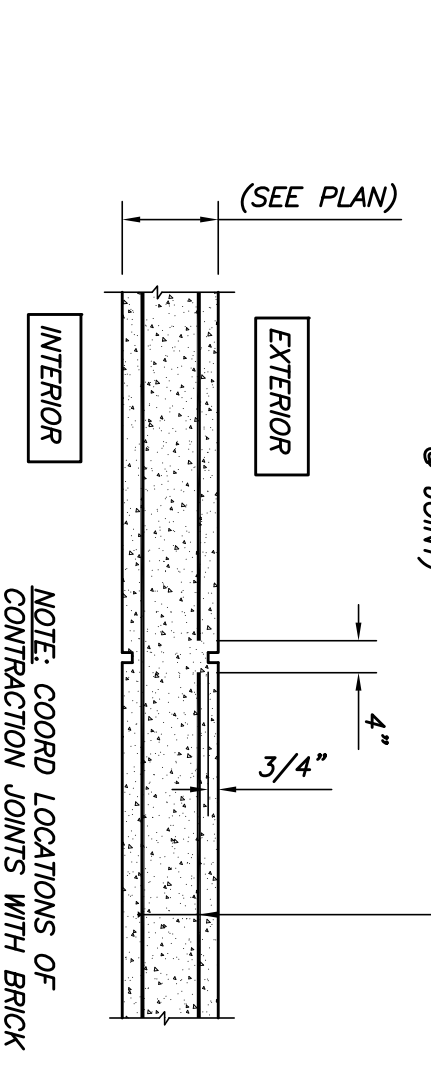
TYP EQUIPMENT HOUSEKEEPING PAD DETAIL
N.T.S.



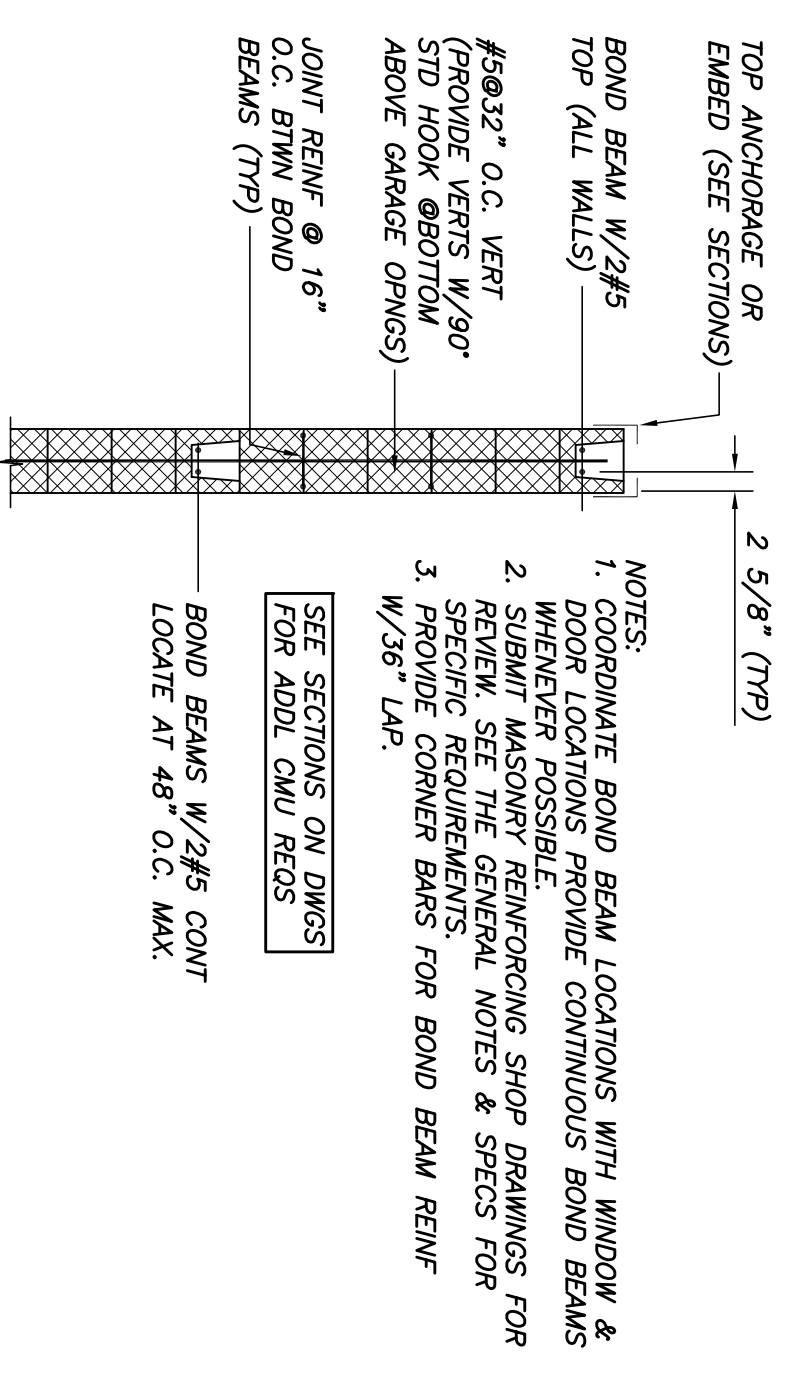
TYP WALL DEPRESSION DETAIL @ DOOR
N.T.S.



TYP CONSTRUCTION JOINT IN WALL
N.T.S.

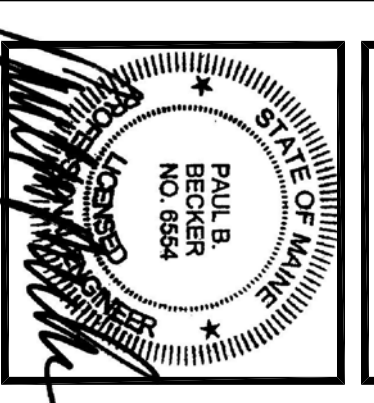


TYP CONTRACTION JOINT IN WALL
N.T.S.



CMU WALL SECTION
N.T.S.

CMU LINTEL SCHEDULE				
CLEAR SPAN	WIDTH	DEPTH	REINF.	2#5 COUNT
< 6'-0"	8"	8"	2#5 CONT	
6'-0" - 12'-0"	8"	8"	2#5 CONT	



JOB NO. 10-020
DRWN. APP
SCALE: NOTED
ISSUE: 3 AUGUST 2011

TITLE: FOUNDATION SECTIONS AND DETAILS