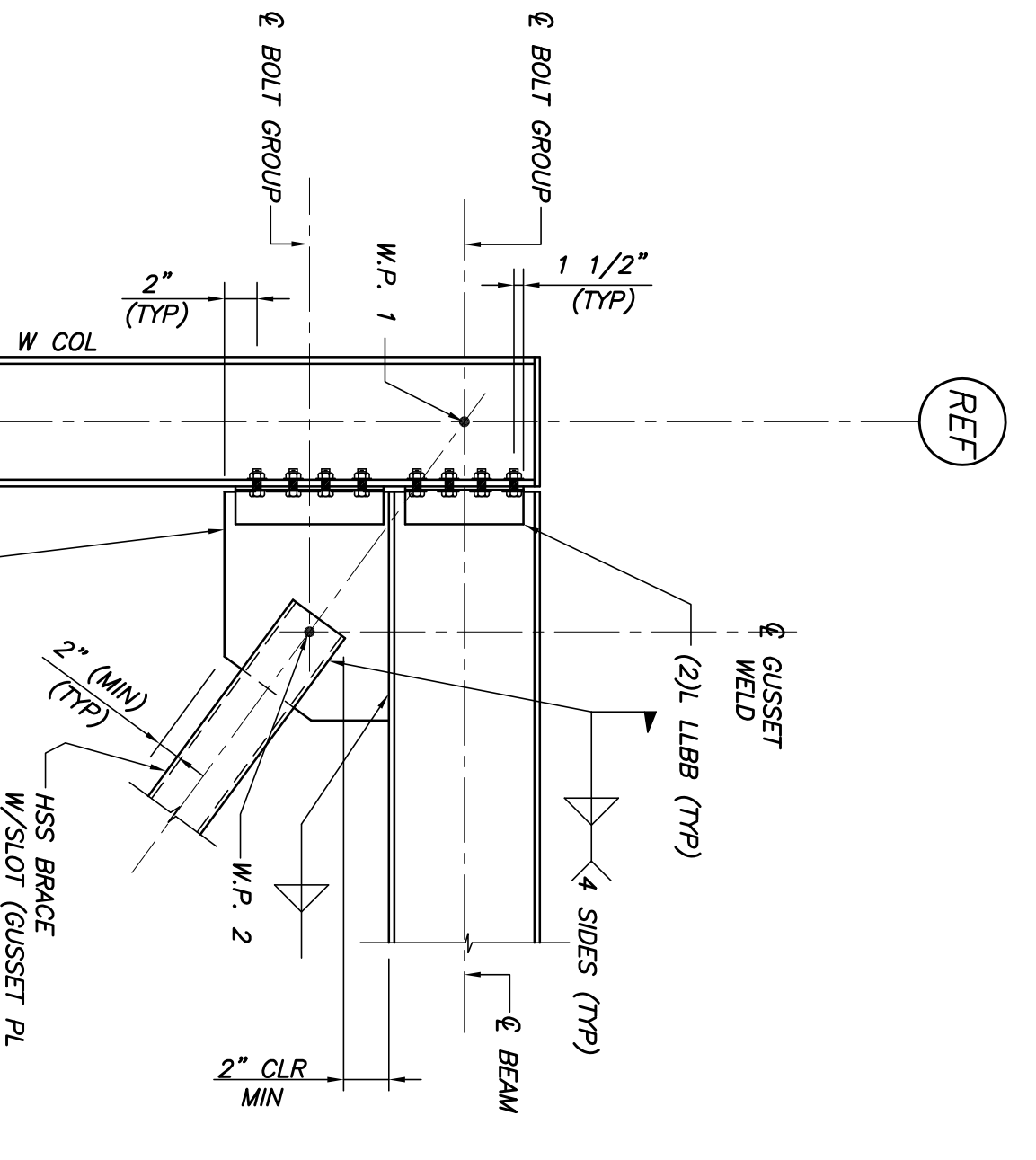
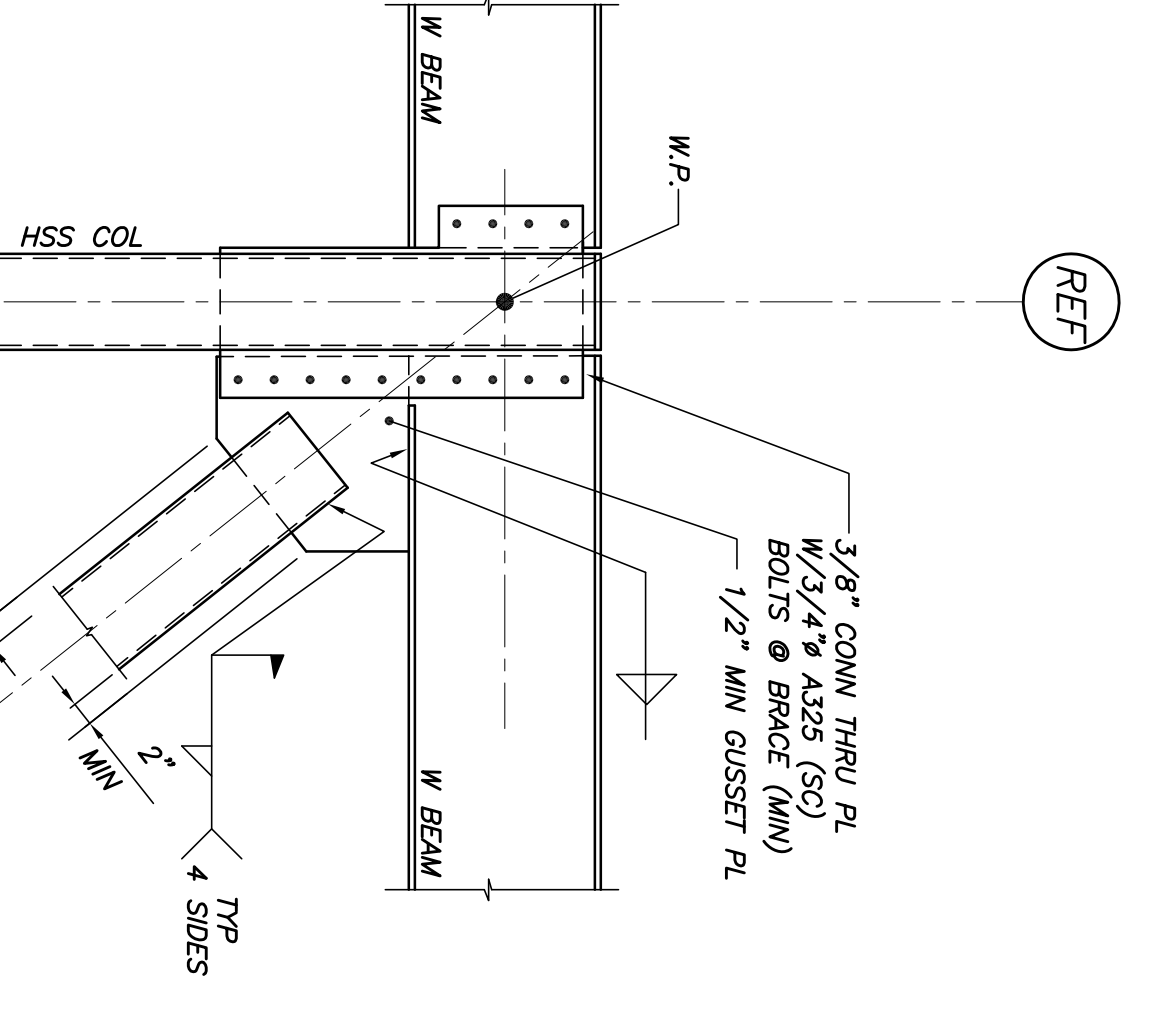
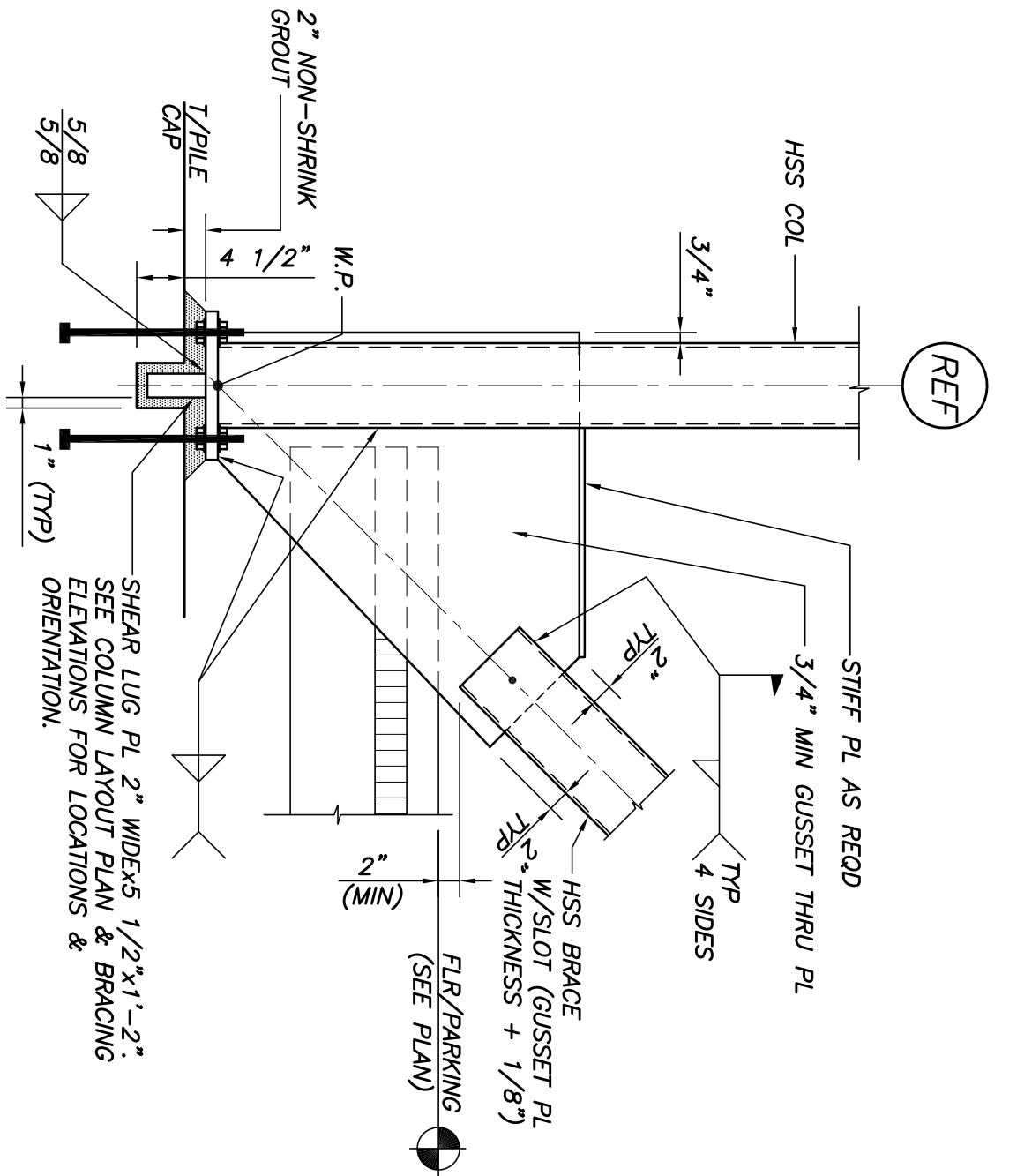


BRACED FRAME ELEVATIONS
1/4"=1'-0"



- BRACING CONNECTION DESIGN NOTES:**
- (*) INDICATES BRACING DESIGN FORCES ON THE ADJACENT ELEVATIONS. DESIGN IS AN R=3
 - BRACE CONNECTIONS SHALL BE DESIGNED AND DETAILING SHALL BE IN ACCORDANCE WITH THE LATEST EDITIONS OF THE AISC STEEL CONSTRUCTION MANUAL AND THE AISC DESIGN GUIDE FOR BRACED STEEL FRAMES OR COLUMN JOINTS.
 - ALL FORCES PROVIDED ARE ASD (SERVICE LOADS).
 - ALL FORCES ARE TO BE CONSIDERED TENSION AND COMPRESSION.
 - DESIGN SHALL BE IN ACCORDANCE WITH THE LATEST EDITIONS OF THE AISC STEEL CONSTRUCTION MANUAL AND THE AISC DESIGN GUIDE FOR BRACED STEEL FRAMES OR COLUMN JOINTS.
 - PREPARED FOR FIELD WELDING PROCEDURE QUALIFICATION (FPQ) TESTING TO BE CONDUCTED BY AN AWS CERTIFIED WELDER. WELDING SHALL BE IN ACCORDANCE WITH THE AISC STEEL CONSTRUCTION MANUAL AND THE AISC DESIGN GUIDE FOR BRACED STEEL FRAMES OR COLUMN JOINTS.
 - INSPECTOR UPON REQUEST.