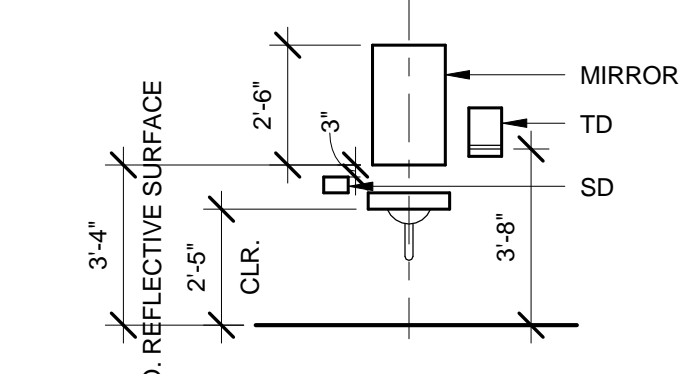
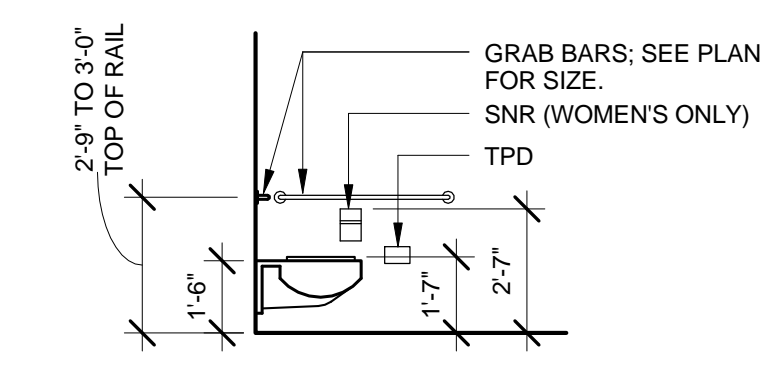


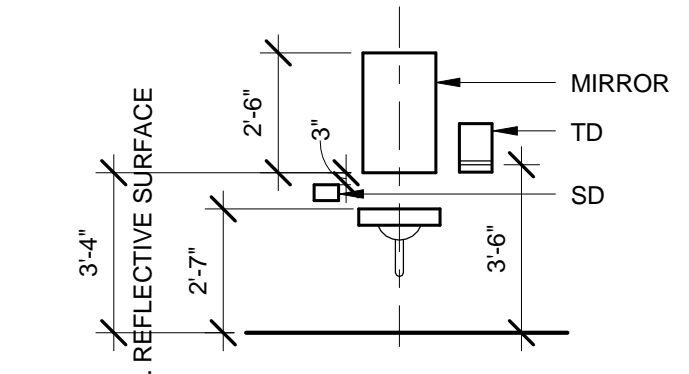
(E) TYPICAL JANITOR'S CLOSET ASSEMBLY ELEVATION
 1/4" = 1'-0"



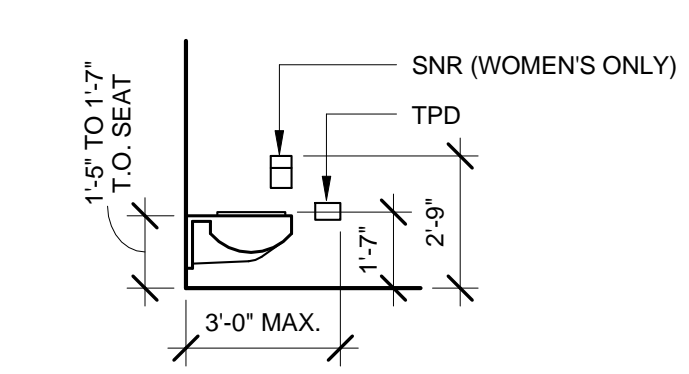
(D2) TYPICAL BARRIER FREE LAVATORY ASSEMBLY ELEVATION
 1/4" = 1'-0"



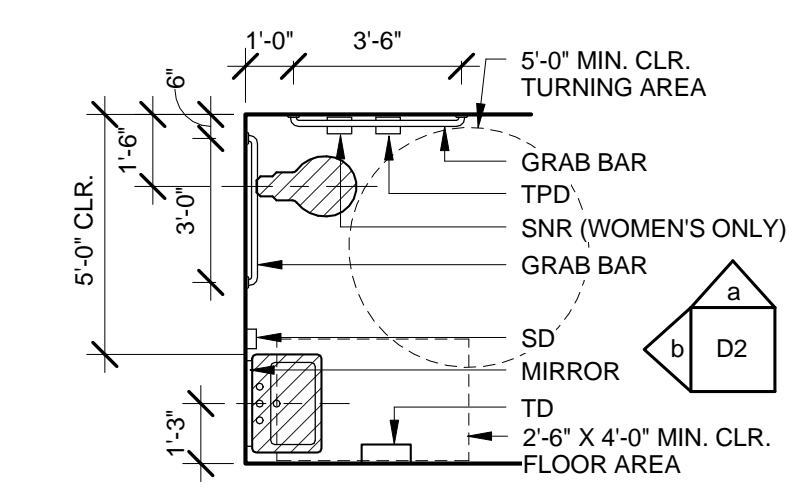
(D2a) TYPICAL BARRIER FREE WATER CLOSET ASSEMBLY ELEVATION
 1/4" = 1'-0"



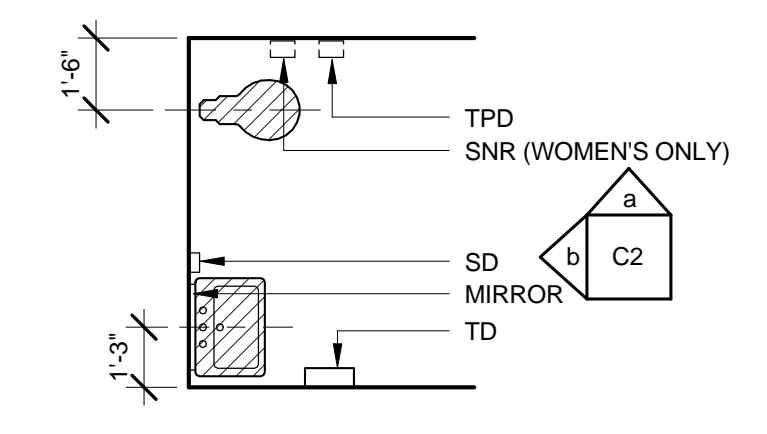
(C2) TYPICAL STANDARD LAVATORY ASSEMBLY ELEVATION
 1/4" = 1'-0"



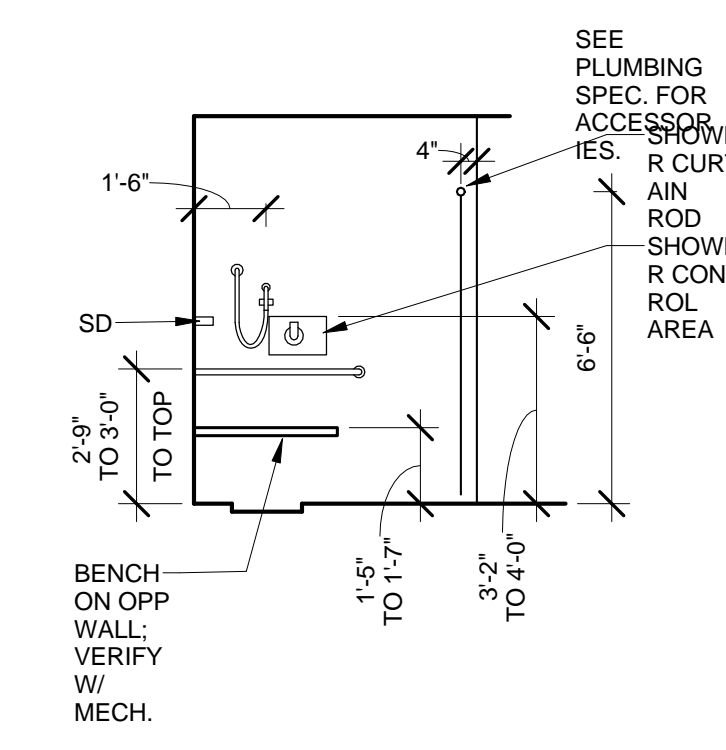
(C2a) TYPICAL STANDARD WATER CLOSET ASSEMBLY ELEVATION
 1/4" = 1'-0"



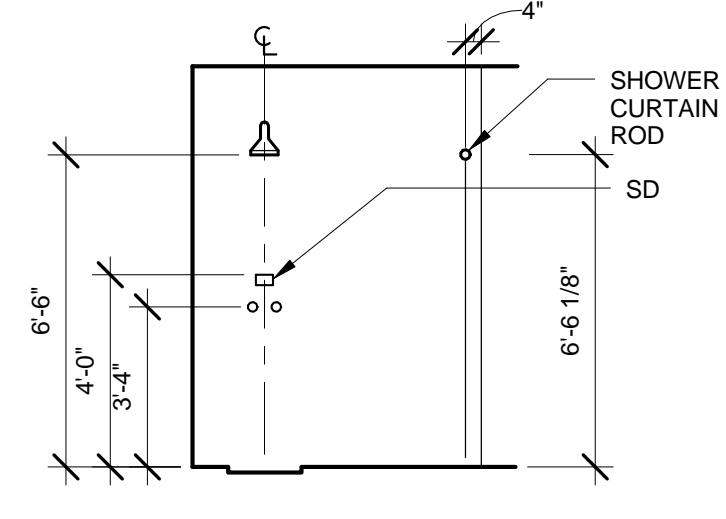
(D1) TYPICAL BARRIER FREE SINGLE TOILET PLAN
 1/4" = 1'-0"



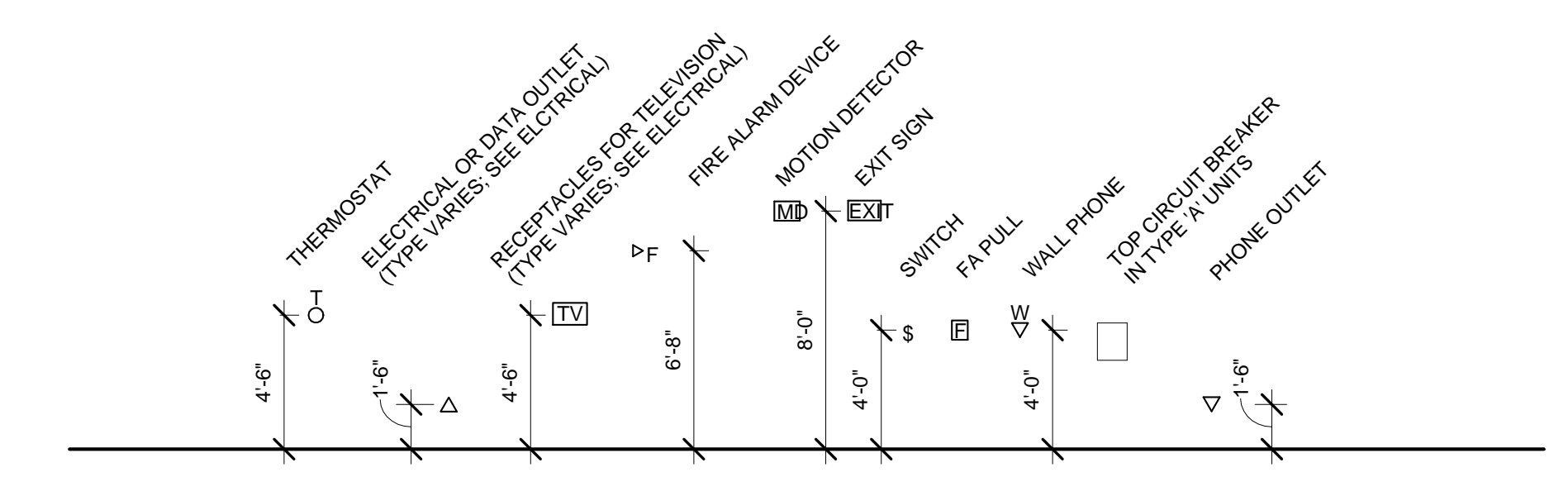
(C1) TYPICAL STANDARD SINGLE TOILET PLAN
 1/4" = 1'-0"



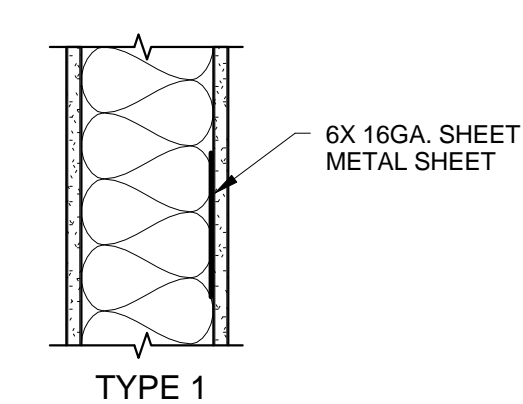
(D3) TYPICAL BARRIER FREE SHOWER ASSEMBLY
 1/4" = 1'-0"



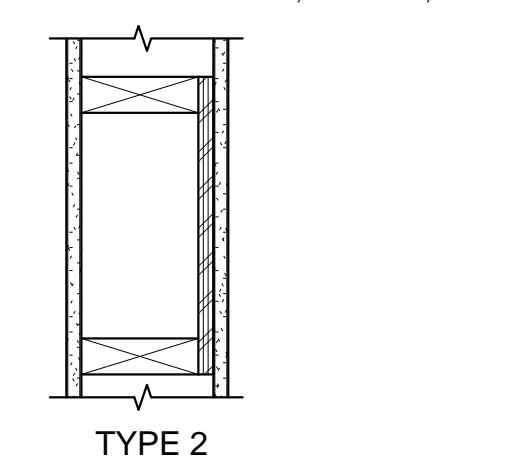
(C3) TYPICAL STANDARD SHOWER ASSEMBLY SECTION
 1/4" = 1'-0"



- MOUNTING HEIGHT GENERAL NOTES:**
- SEE MECHANICAL, ELECTRICAL, AND TECHNOLOGY DRAWINGS FOR SPECIFIC FIXTURE OR DEVICE LOCATION AND DESIGNATION AND ADDITIONAL MOUNTING REQUIREMENTS.
 - COORDINATE LOCATION OF ALL RECEPTACLES, FIXTURES OR DEVICES WITH INTERIOR ELEVATIONS AND CASEWORK LOCATIONS.
 - REFER TO MANUFACTURER'S INSTRUCTIONS FOR SPECIFIC ADA REQUIRED MOUNTING HEIGHTS AS APPLICABLE.



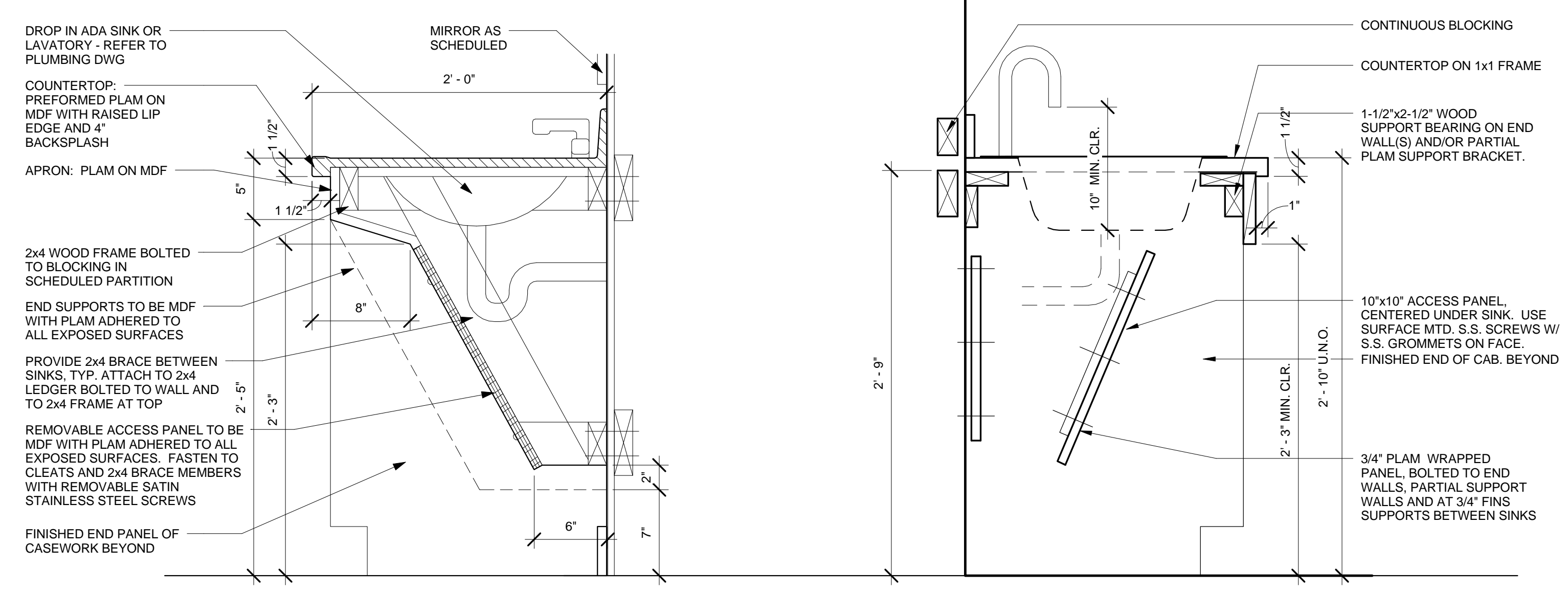
NOTE: PROVIDE TYPE 1 BLOCKING FOR CASEWORK, MIRRORS, TOILET ACCESSORIES, ETC.



NOTE: PROVIDE TYPE 2 BLOCKING FOR TOILET ACCESSORIES, RAILING BRACKETS, DOOR STOPS, WALL SHELVING, ETC.

(A3) BLOCKING DETAILS
 1 1/2" = 1'-0"

(A2) TYPICAL MOUNTING HEIGHTS
 3/16" = 1'-0"



(A6) ACCESSIBLE SINK DETAIL
 1 1/2" = 1'-0"