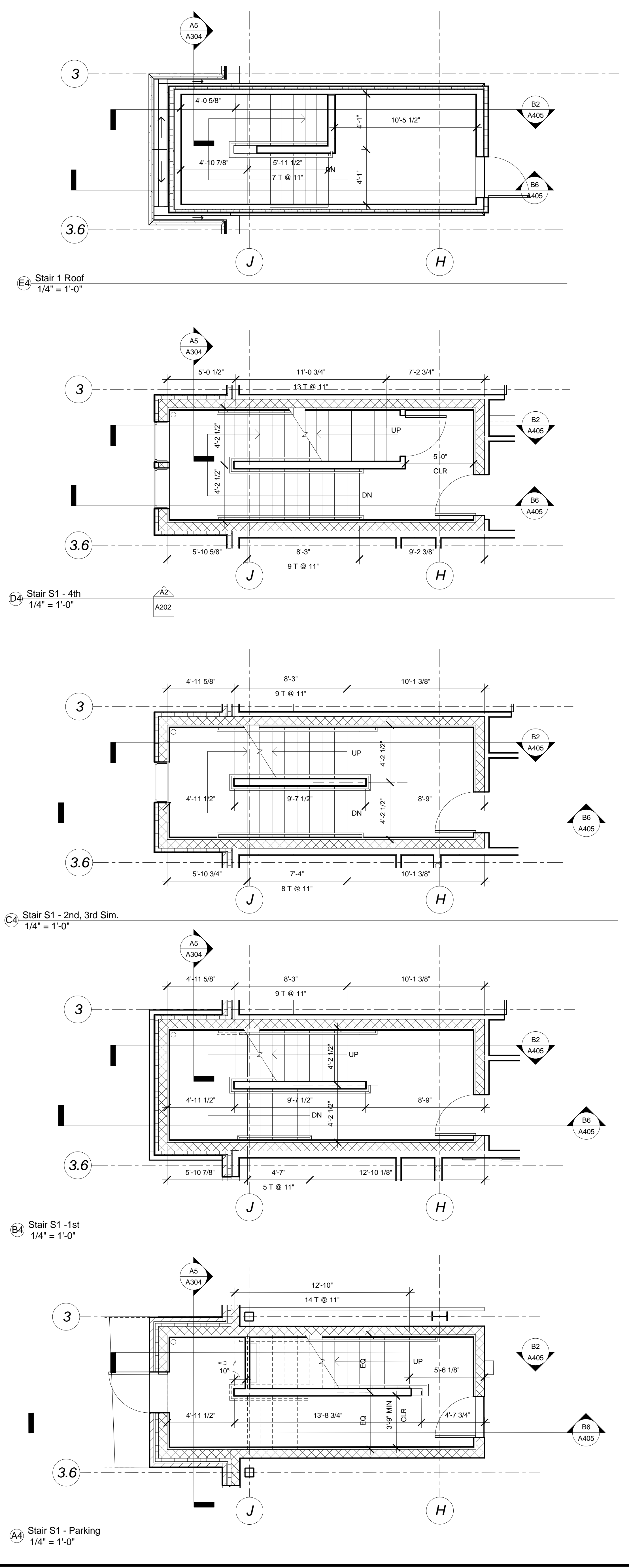


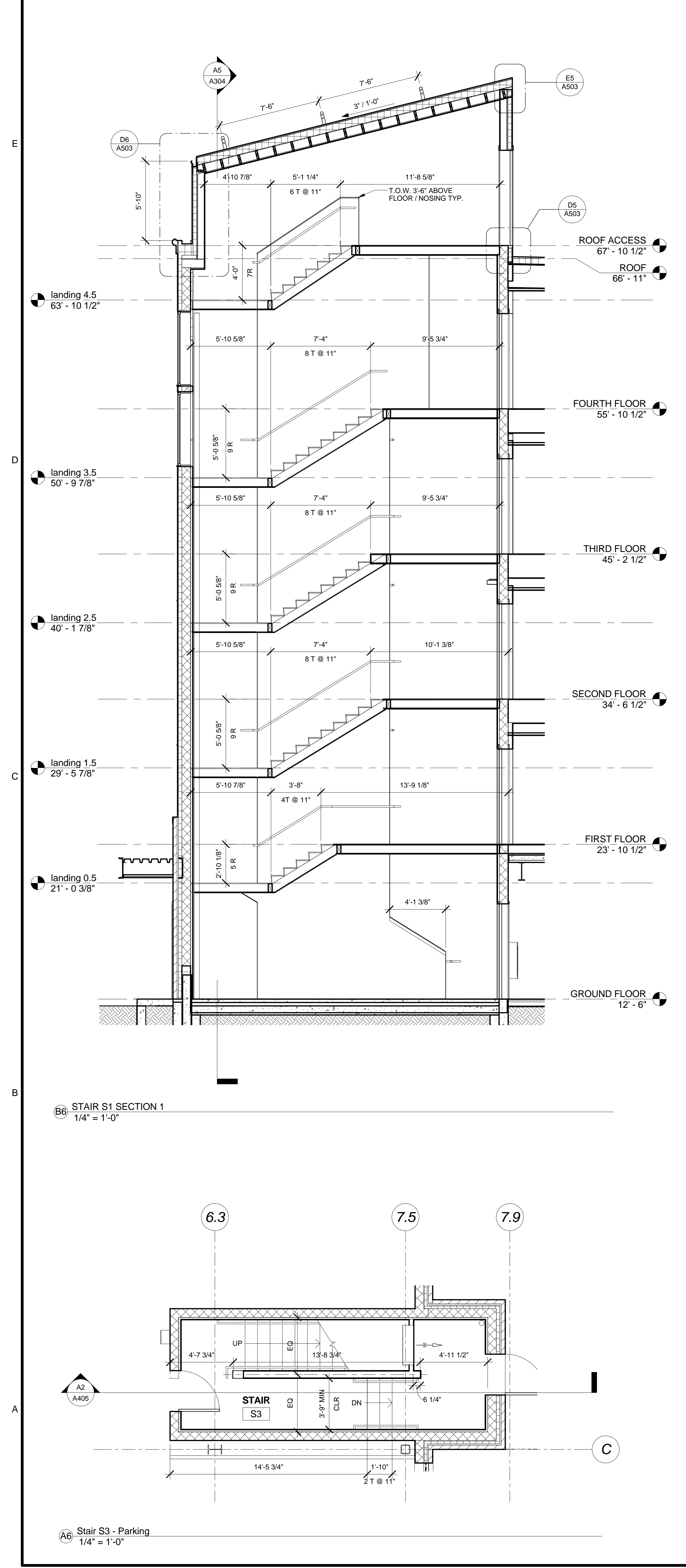
B2 STAIR S1 SECTION
1/4" = 1'-0"

A2 STAIR S3 SECTION
1/4" = 1'-0"



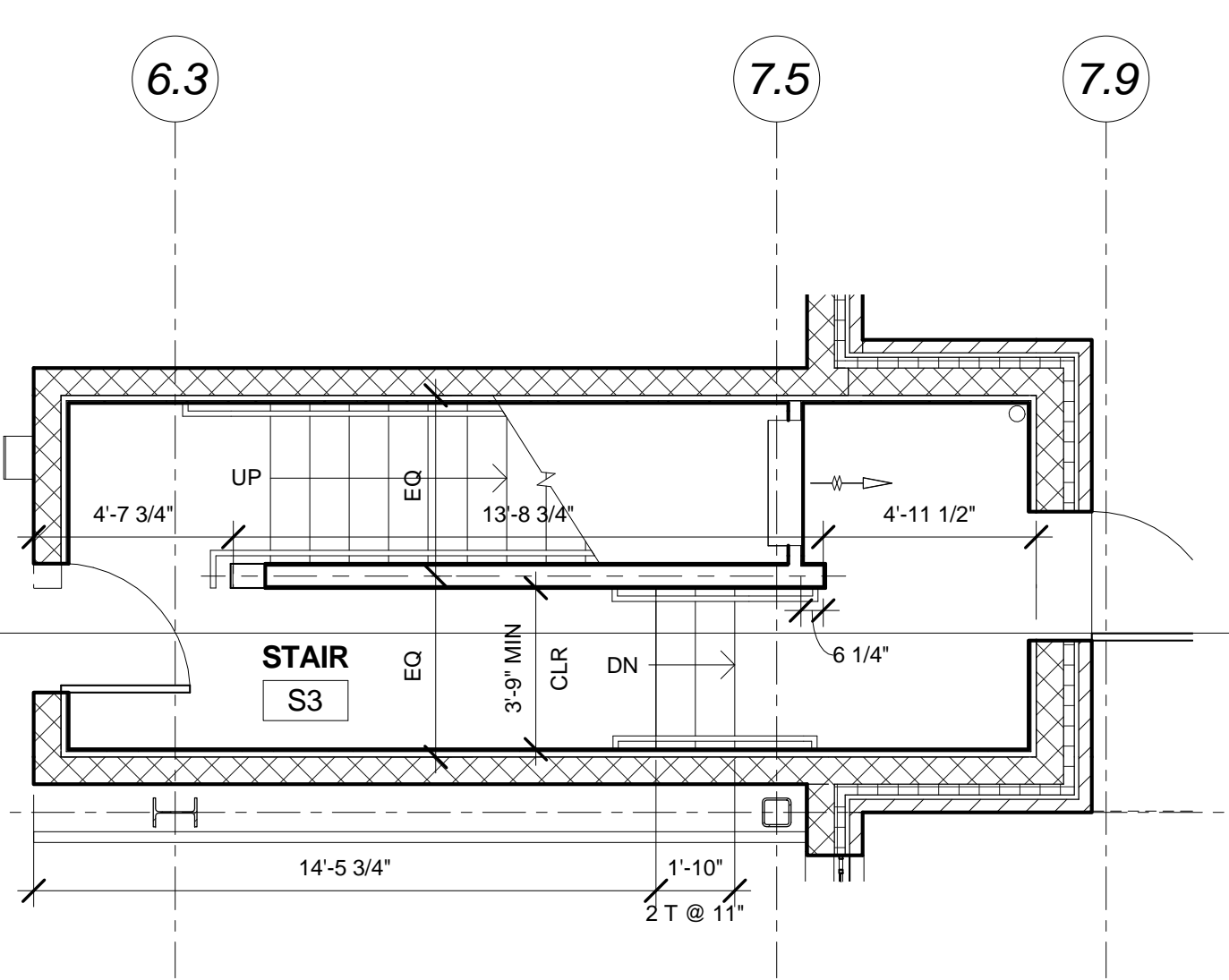
B4 Stair S1 - 1st
1/4" = 1'-0"

A4 Stair S1 - Parking
1/4" = 1'-0"



B6 STAIR S1 SECTION 1
1/4" = 1'-0"

A6 Stair S3 - Parking
1/4" = 1'-0"



A6 Stair S3 - Parking
1/4" = 1'-0"