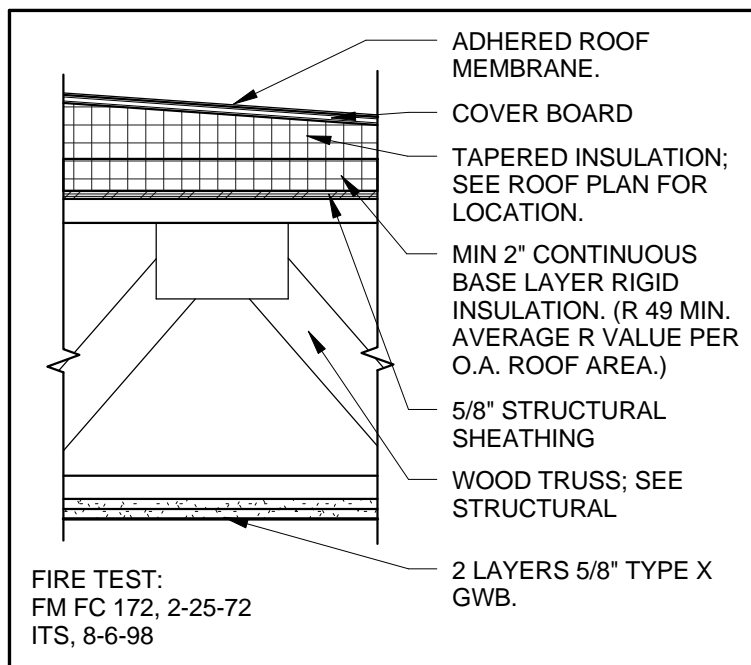
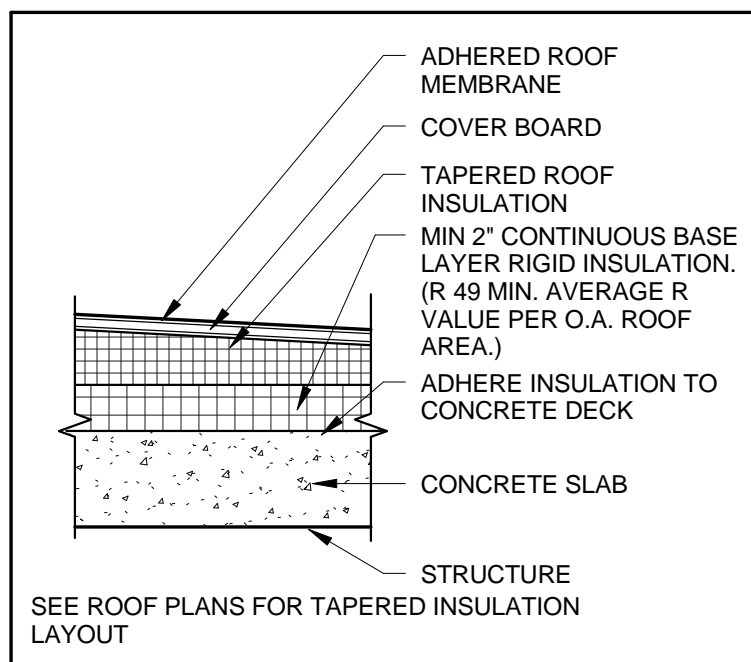


**ROOF SYSTEMS**



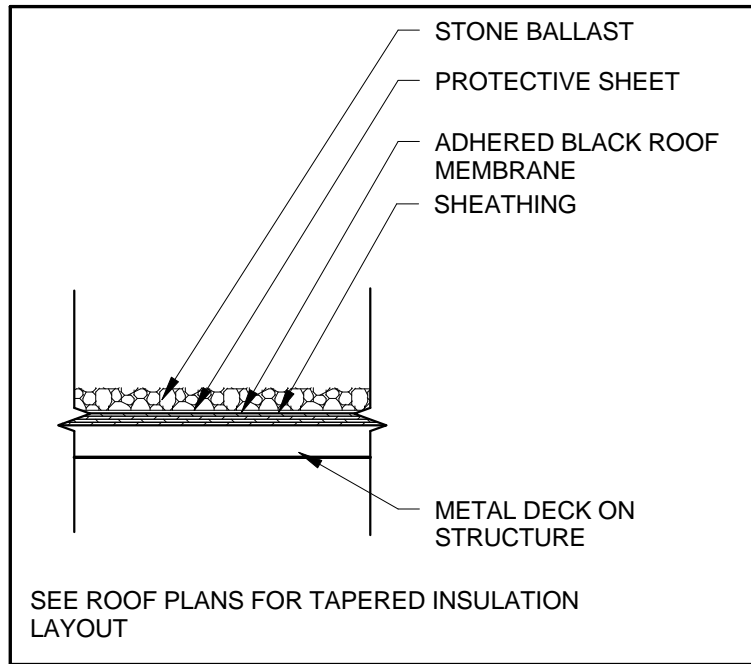
**WD TRUSS ROOF ASSEMBLY  
1 HR FIRE RATED  
GA FILE NO. RC 2602**

R1



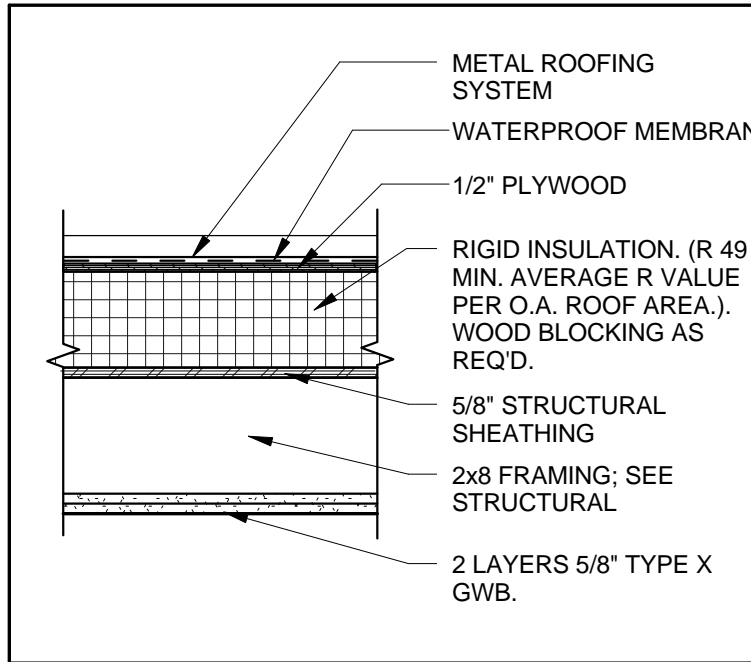
**SINGLE-PLY MEMBRANE  
ROOFING SYSTEM ON  
CONCRETE SLAB**

R2



**SINGLE-PLY MEMBRANE  
ROOFING W/ BALLAST ON  
METAL DECK**

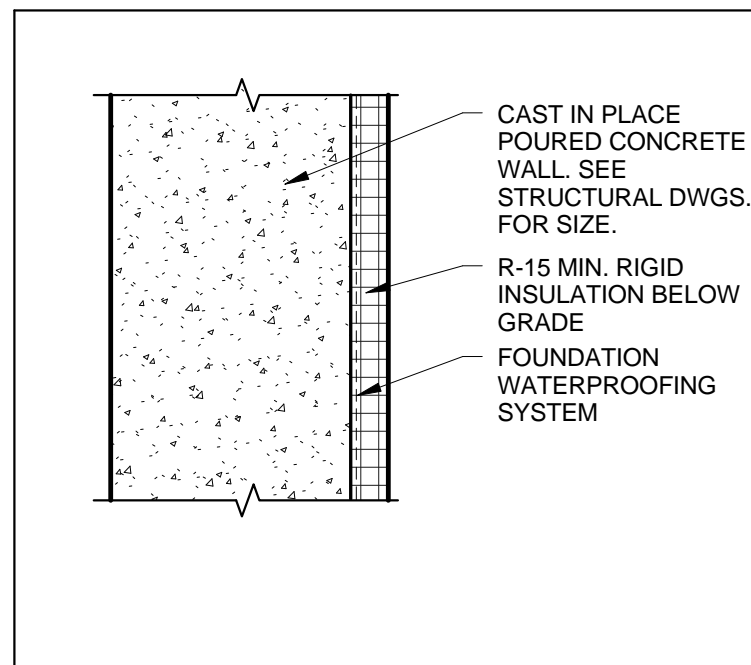
R3



**WOOD ROOF ASSEMBLY  
1 HR FIRE RATED**

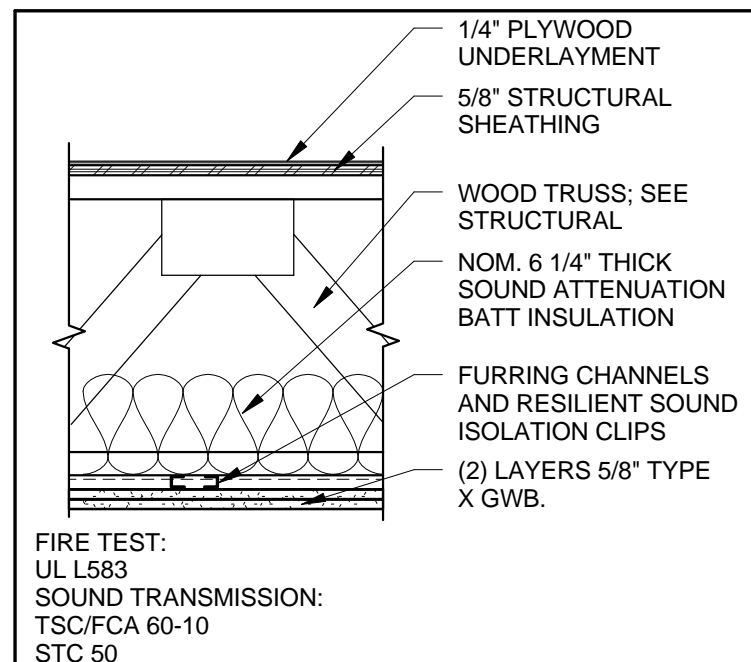
R4

**FOUNDATION & FLOOR SYSTEMS**



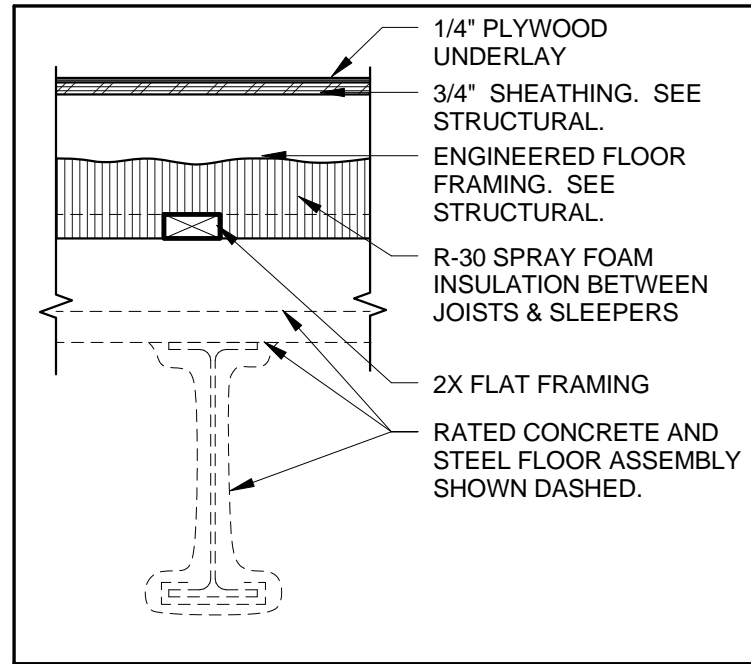
**BELOW GRADE CONCRETE  
WALL WITH  
WATERPROOFING SYSTEM**

FD2



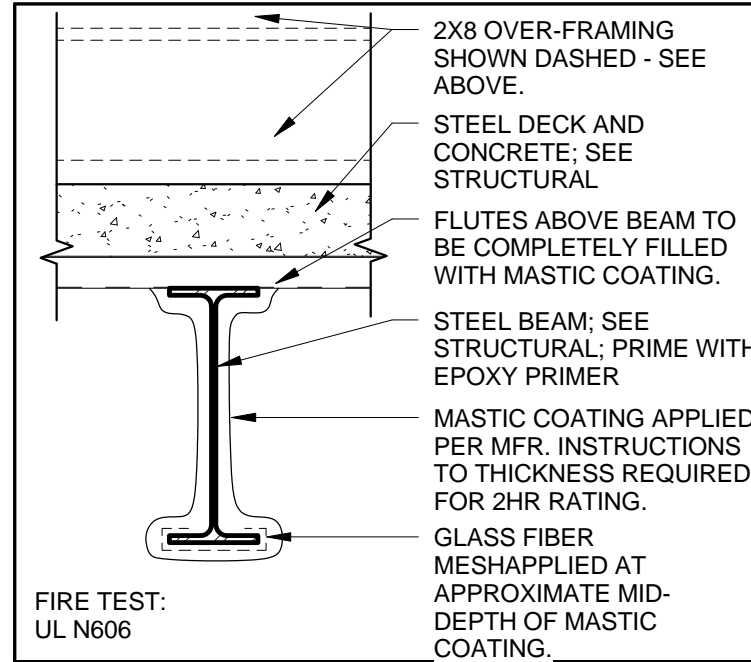
**WOOD TRUSS FLOOR / CEILING  
ASSEMBLY  
1 HR FIRE RATED**

F2



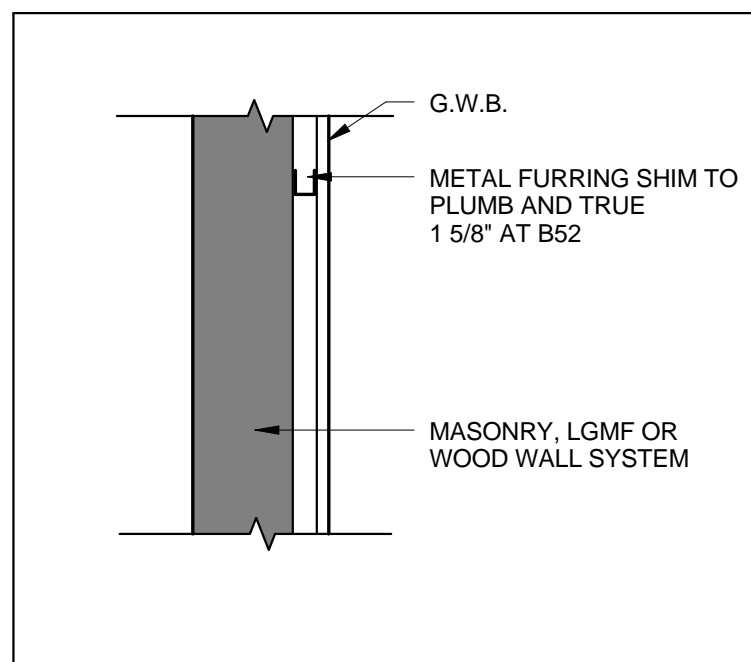
**FLOOR FRAMING AT FIRST  
FLOOR**

F1



**CONCRETE - STEEL FLOOR  
ASSEMBLY  
2 HR FIRE RATED**

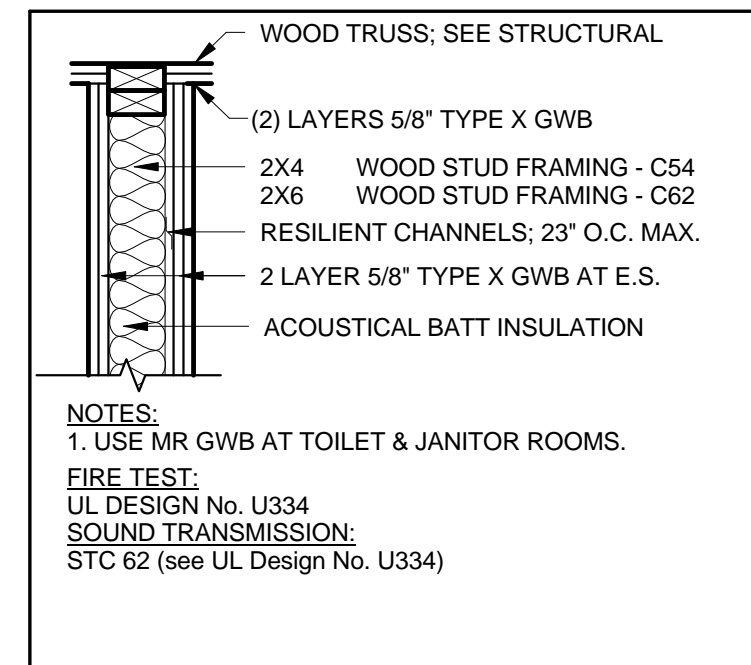
F1



**METAL FURRING LOCATED  
ABOVE KITCHEN RANGES**

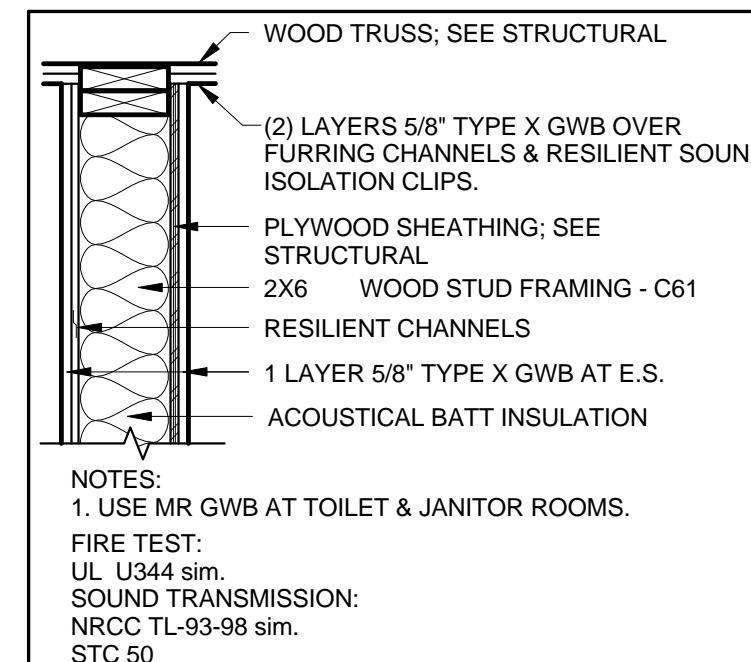
B52

**INTERIOR PARTITIONS**



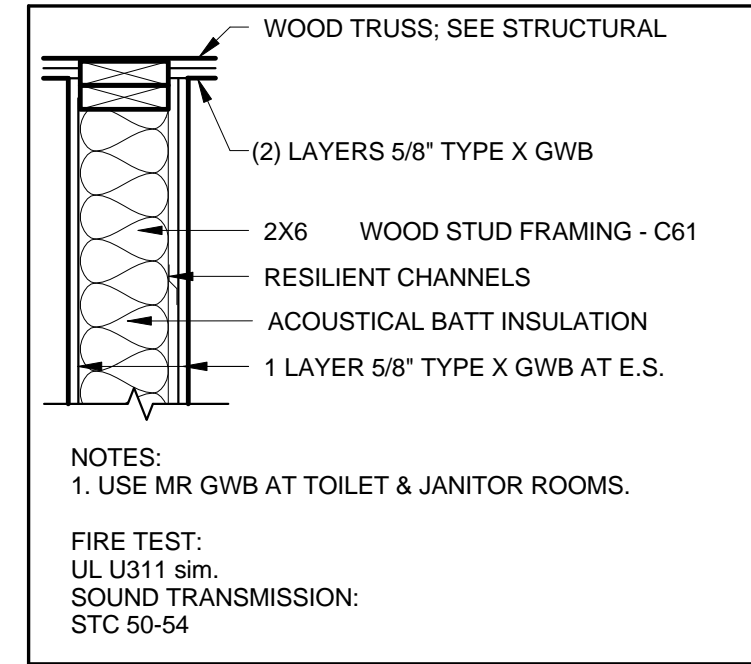
**WOOD STUD WALL  
2-HOUR FIRE RATED**

C54



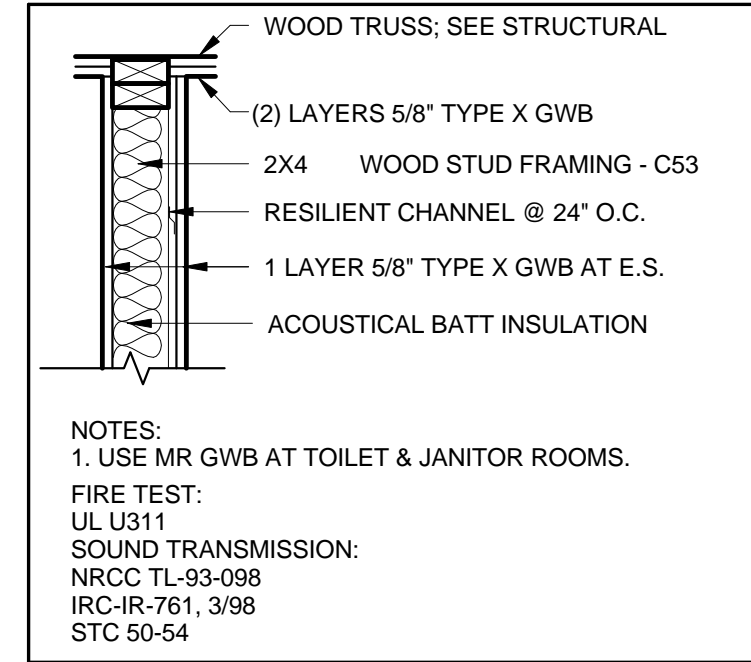
**WOOD STUD SHEAR  
PARTITION  
FULL HEIGHT - 1 HR**

C61



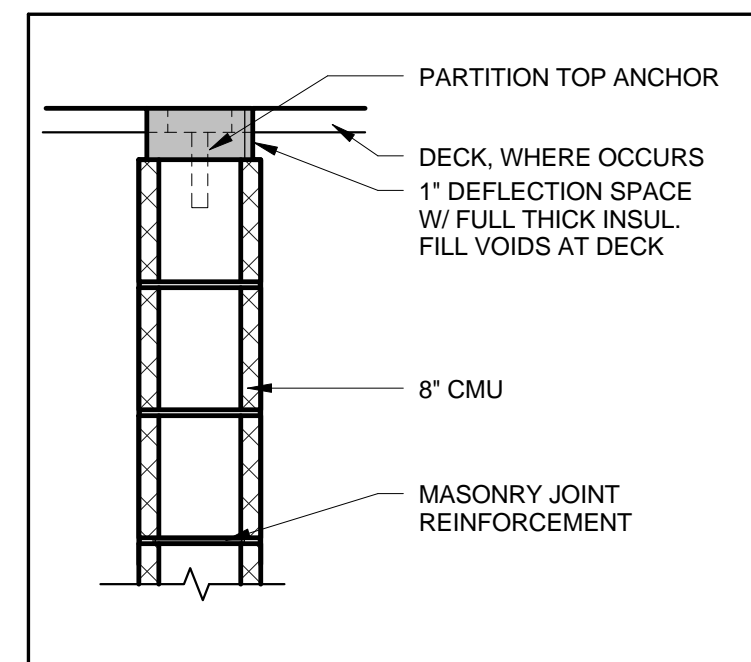
**WOOD STUD PARTITION  
FULL HEIGHT - 1 HR  
GA FILE NO WP 3661**

C61



**WOOD STUD PARTITION  
FULL HEIGHT - 1 HR  
GA FILE NO WP 3242**

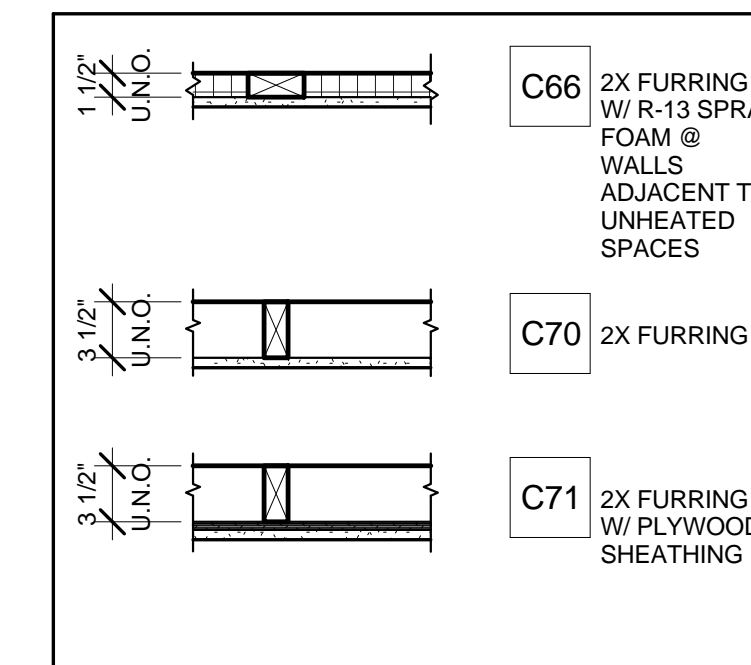
C53



**CMU PARTITION  
FULL HEIGHT**

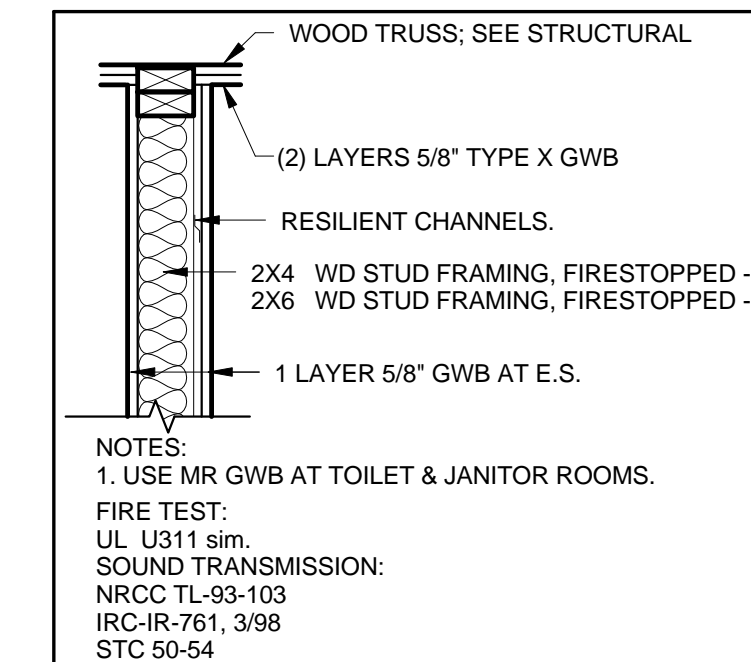
A53

**INTERIOR PARTITIONS**



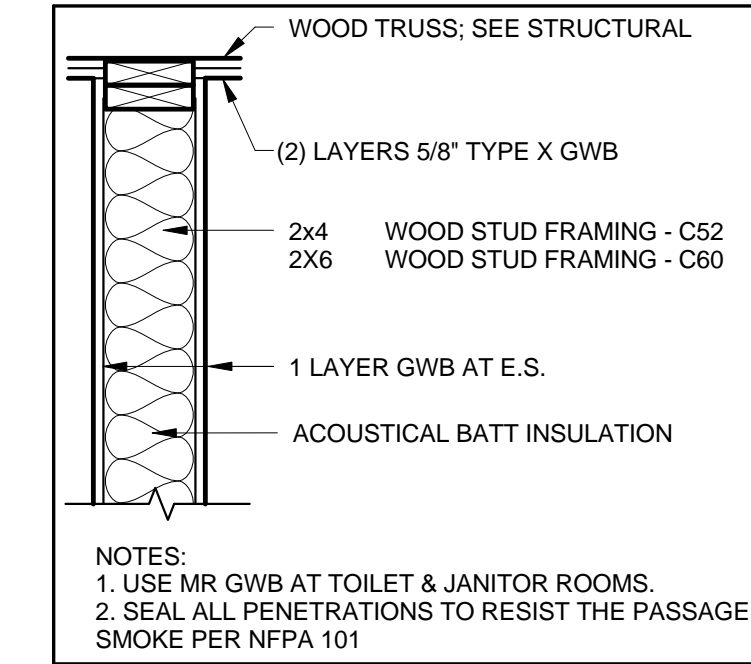
**WOOD STUD FURRING  
EXTEND 3" ABOVE  
FIN. CLG. U.N.O.**

C66



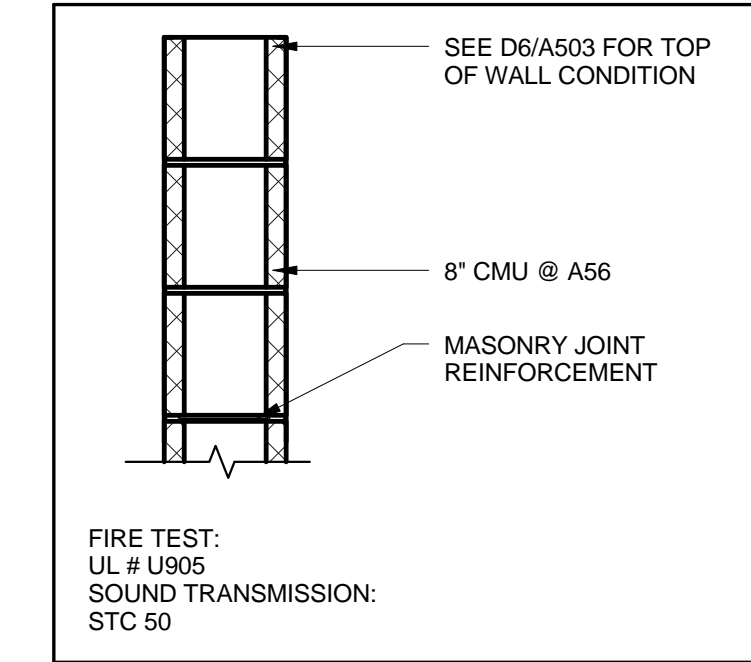
**WOOD STUD PARTITION  
FULL HEIGHT - 1/2 HR**

C55



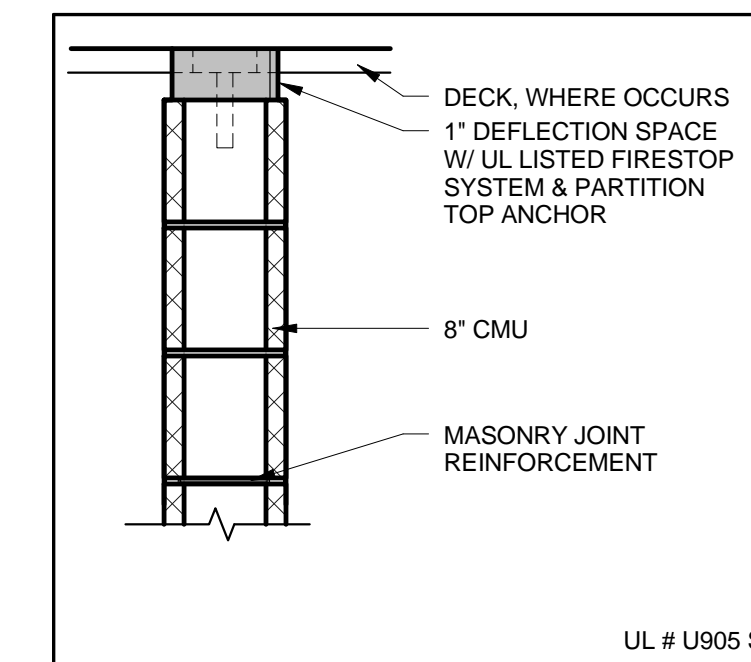
**WOOD STUD PARTITION  
FULL HEIGHT**

C52



**CMU PARTITION  
FULL HEIGHT  
2-HOUR FIRE-RATED**

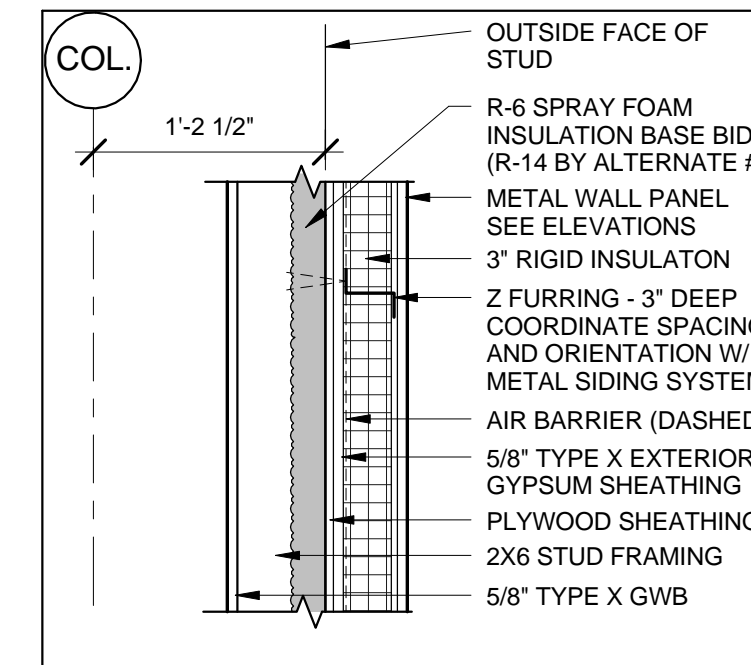
A56



**CMU PARTITION  
FULL HEIGHT  
1-HOUR AND 1/2-HOUR  
FIRE-RATED**

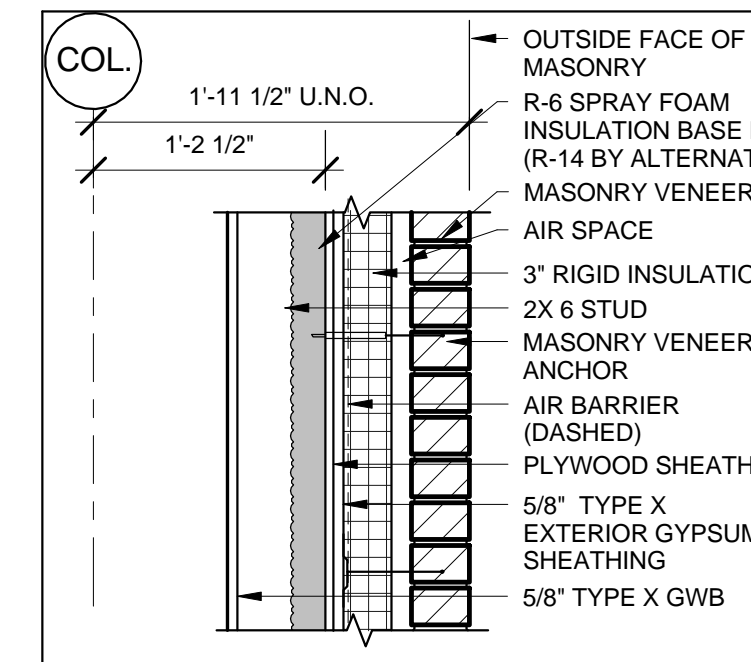
A55

**EXTERIOR PARTITIONS**



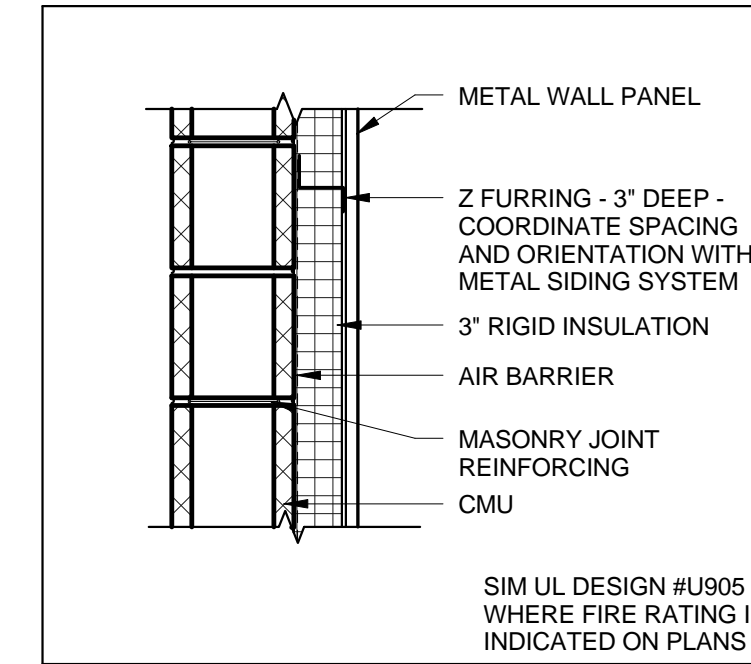
**METAL WALL PANELS AT  
2X6 BACKUP  
1-HOUR FIRE RATED**

C9



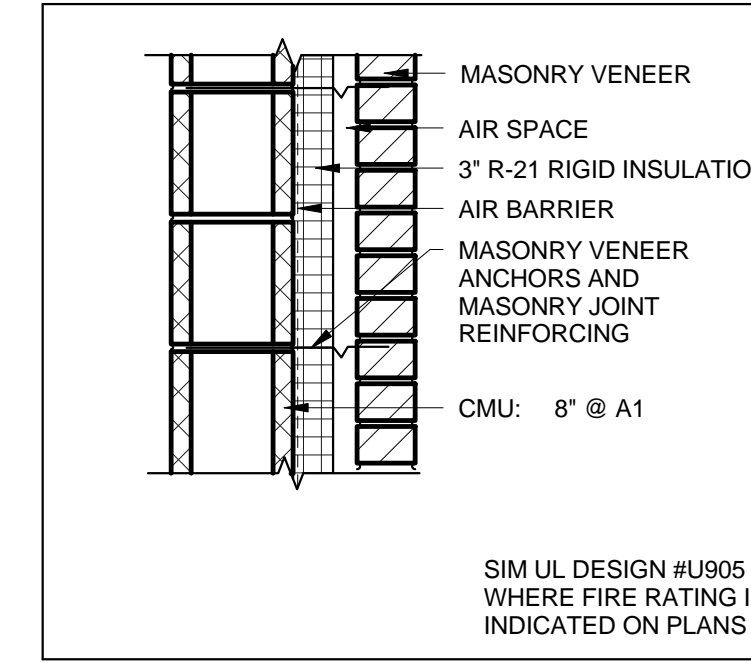
**MASONRY VENEER AT  
2X6 BACKUP  
1-HOUR FIRE RATED**

C1



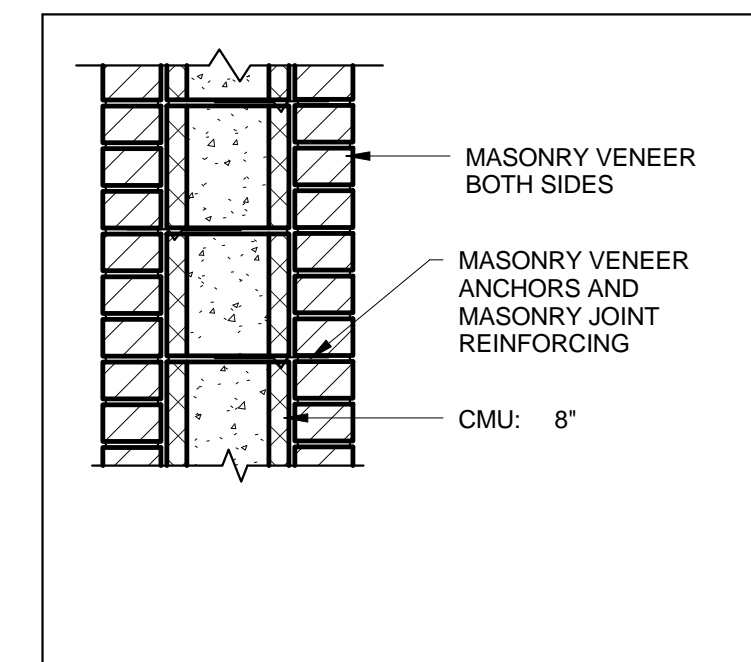
**METAL WALL PANELS AT  
CMU BACKUP**

A7



**MASONRY VENEER AT  
CMU BACKUP**

A1



**MASONRY VENEER BOTH  
SIDES W/ CMU BACKUP**

A35

**SYSTEM NOTES**

- REFER TO SHEET A007 FOR NOTES, ABBREVIATIONS, AND LEGENDS
- AT STUD PARTITIONS, USE MR GWB AT ALL TOILET AND JANITOR ROOMS
- ALL PENETRATIONS IN ASSEMBLIES SHALL BE SEALED, LINED, INSULATED, OR OTHERWISE TREATED TO MAINTAIN FIRE AND SOUND TRANSMISSION RATINGS.
- ALL ASSEMBLIES BETWEEN DWELLING UNITS AND SEPARATING DWELLING UNITS FROM PUBLIC SPACES SHALL HAVE A SOUND TRANSMISSION CLASS (STC) OF NOT LESS THAN 50 - 45 IF FIELD TESTED IN ACCORDANCE WITH IBC 2009 SECTION 1207.

**GENERAL NOTES**

- PROVIDE 1" MIN. CLEAR WHERE STRUCTURAL, MECHANICAL, OR ELECTRICAL ITEMS PENETRATE INTERIOR CMU WALLS. FILL VOIDS WITH FG BATT INSULATION AT NON-RATED WALLS AND FIRESTOPPING SYSTEM AT RATED WALLS.
- USE PREFORMED, COMPRESSED NEOPRENE FILERS AT TOP OF WALL WHERE EXPOSED.
- INTERIOR CMU PARTITIONS NOT OTHERWISE INDICATED ARE TYPE A56.
- INTERIOR WOOD STUD PARTITIONS NOT OTHERWISE INDICATED ARE TYPE C52.
- SEE STRUCTURAL DRAWINGS FOR MASONRY REINFORCEMENT AND BOND BEAM LOCATIONS.
- SEE EXTERIOR ELEVATIONS AND DETAILS FOR MASONRY AND METAL TYPES / DESIGN.

**LEGEND**

**MATERIALS**

- GRAVEL
- CONCRETE MASONRY UNIT
- BRICK
- CONCRETE
- SOIL
- STEEL
- WOOD FRAMING
- WOOD BLOCKING
- PLYWOOD
- GYPSUM BOARD
- BATT INSULATION
- RIGID INSULATION
- EXPANSION MATERIAL
- FINISH WOOD

**FIRE RATINGS**

- 2 HOUR FIRE RATED PARTITION
- 1 HOUR FIRE RATED PARTITION
- 1/2 HOUR FIRE RATED PARTITION

**SYMBOLS**

- PLUMBING FIXTURE
- BARRIER FREE FIXTURE
- Room name: 101
- ROOM NUMBER
- 101: DOOR NUMBER
- (11): WINDOW TYPE; LETTER DESIGNATES EXTERIOR
- (11): BORROWED LITE TYPES; DESIGNATED BY NUMBER
- FLOOR LEVEL CHANGE
- 1 A101: BUILDING SECTION
- 1 A101: WALL SECTION
- 1 A101: DETAIL REFERENCE
- B52: WALL OR ROOF TYPE
- Ref 1 A101: ELEVATION REFERENCE
- Name: Elevation
- 0: COLUMN CENTERLINE
- Egress: OCCUPANT LOAD AT DISCHARGE



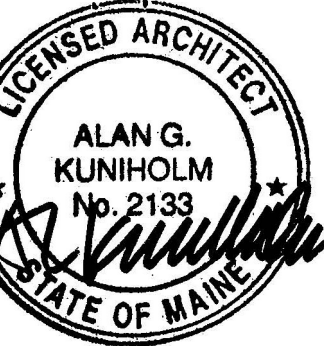
48 DARTMOUTH STREET  
PORTLAND, MAINE 04101  
207-775-1059  
www.pdtarch.com

COPYRIGHT  
PDT Architects  
Reuse or reproduction of the  
contents of this document is not  
permitted without written  
permission of PDT Architects.



307 CLIMBERLAND AVENUE  
PORTLAND, MAINE 04101  
www.avestahousing.org

Pearl Place 2  
184 Pearl Street



JOB NO. 10020

DRWN. CHK Checker

SCALE: As indicated

ISSUE 08/03/11

TITLE SYSTEMS

SHEET

A006