

Bartlett Design
 LIGHTING & ELECTRICAL ENGINEERING
 942 WASHINGTON STREET, BATH, ME 04530
 TEL (207) 443-5447 FAX (207) 443-5560

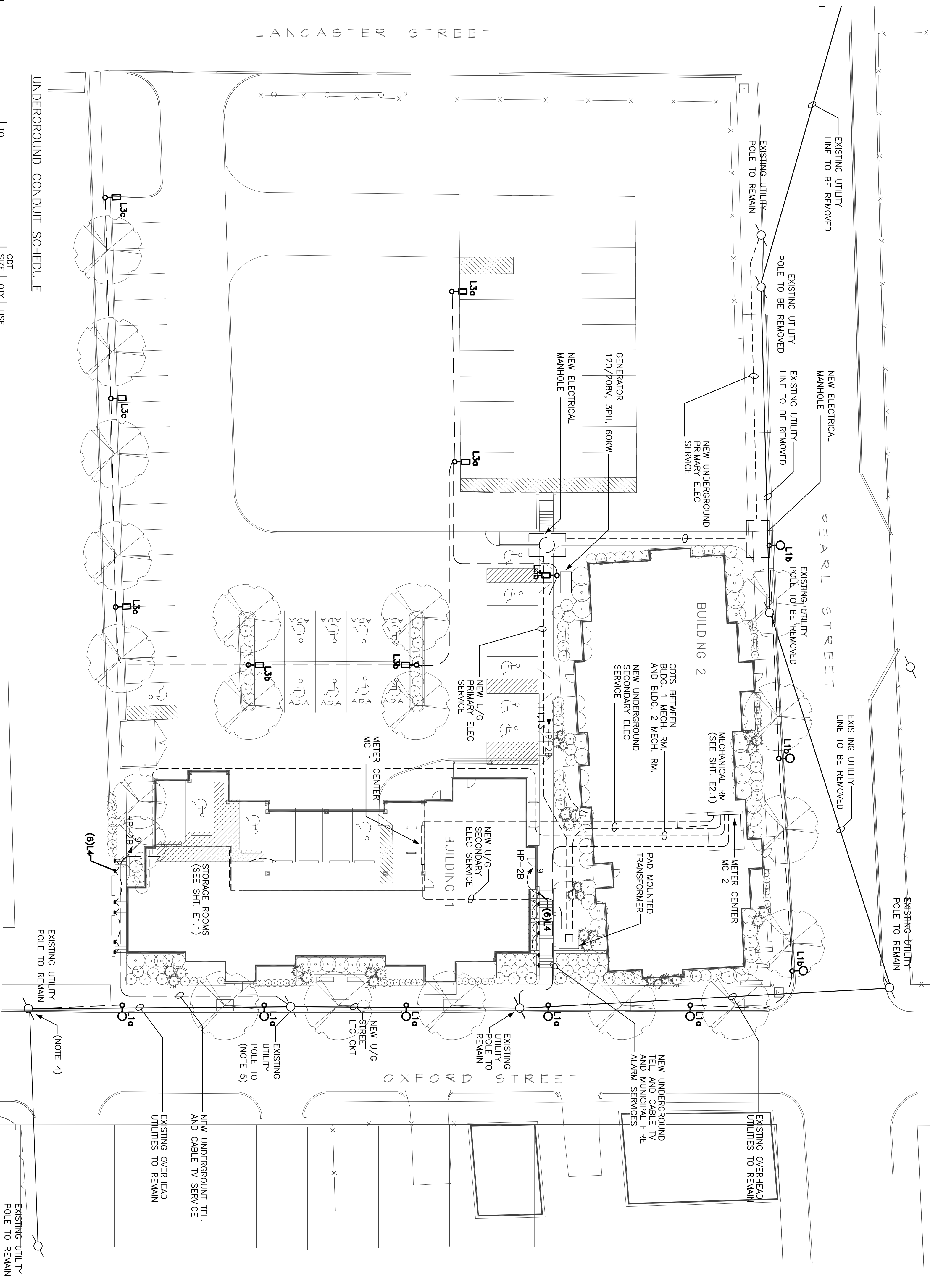
Pearl Place Building 1 & 2 Portland Maine

Developer
 Avesta Pearl Street One, L.P.

Architect
 Winron Scott Architects
 Landscape Architect
 Carroll Associates
 Civil
 Gorill Palmer Consulting
 Engineers
 Structural
 Becker Structural
 Mechanical / Plumbing
 Mechanical Systems
 Engineers
 Electrical
 Bartlett Designs

ELECTRICAL SITE PLAN E0.1

Scale: As Shown
 SEPTEMBER 1, 2006

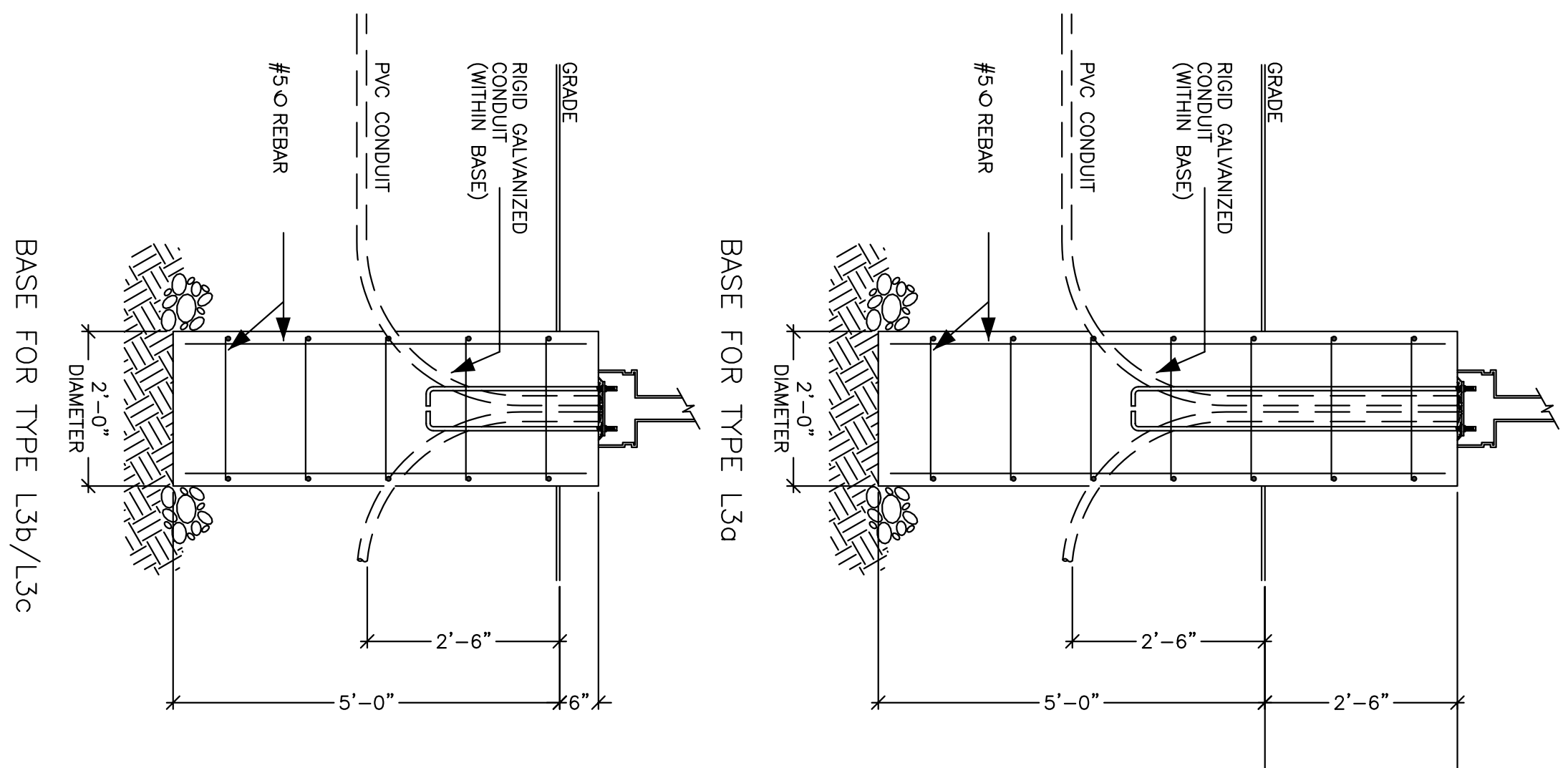


UNDERGROUND CONDUIT SCHEDULE

FROM	TO	CMT	QTY	USE
UTILITY POLE AT PEARL STREET	NEW MANHOLE AT SIDEWALK	5"	2	CMP PRIMARY
NEW MANHOLE AT SIDEWALK	NEW MANHOLE ON SITE	5"	2	CMP PRIMARY
NEW MANHOLE ON SITE	PAD MOUNT TRANSFORMER	5"	2	CMP PRIMARY
UTILITY POLE AT OXFORD STREET	BLDG. 2 MECHANICAL ROOM	4"	1	VERIZON TELEPHONE
		4"	1	SPARE
		4"	1	MUNICIPAL FIRE ALARM
		2"	1	SPARE
UTILITY POLE AT OXFORD STREET	BLDG. 1 MAINT. STORAGE	4"	1	VERIZON TELEPHONE
		4"	1	TIME-WARMER CABLE
		4"	1	EMERGENCY FEEDER (ATS-1A)
BLDG. 1 MAINTENANCE STORAGE	BLDG. 2 MECHANICAL ROOM	2"	1	SPARE
		4"	1	MUNICIPAL FIRE ALARM
		4"	1	ELC SECONDARY
SERVICE TRANSFORMER PAD	METER CENTER MC-1	4"	2	SPARE
SERVICE TRANSFORMER PAD	METER CENTER MC-2	4"	2	ELC SECONDARY
GENERATOR	BLDG. 2 (EDP-2A)	2"	1	EMERGENCY FEEDER
GENERATOR	BLDG. 2 (EDP-2A)	2"	1	GENERATOR CONTROLS
GENERATOR	BLDG. 2 (EDP-2A)	1"	1	GENERATOR CONTROL PANEL

SITE PLAN
 1" = 20'-0"

- SITE PLAN NOTES:
1. CONCRETE FOUNDATION BASES FOR LIGHTING POLES SHALL BE PROVIDED BY THE GENERAL CONTRACTOR.
 2. SEE TABLE THIS SHEET FOR UNDERGROUND SERVICE CONDUITS.
 3. SEE SHEET EA.1 FOR WIRING OF BUILDING MOUNTED EXTERIOR LIGHTS.
 4. CONTRACTOR SHALL PROVIDE 1-1/2" CONDUIT BETWEEN TYPES L1A AND L1B LIGHTING POLES. EXTEND CONDUIT TO EXISTING UTILITY POLE AT OXFORD STREET FOR CONNECTION TO CENTRAL MAINE POWER COMPANY STREET LIGHTING CIRCUIT (CONDUCTORS BY CMP).
 5. WHERE INDICATED, ARRANGE WITH CMP TO REPLACE EXISTING UTILITY POLE GUY WIRE WITH SIDEWALK TYPE GUY.



LIGHTING POLE BASE DETAILS
 NOT TO SCALE