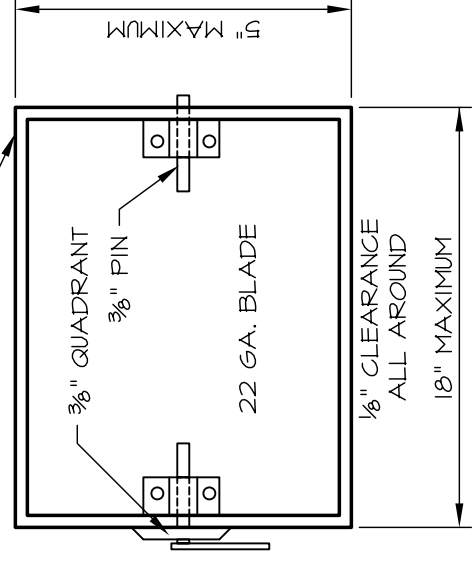


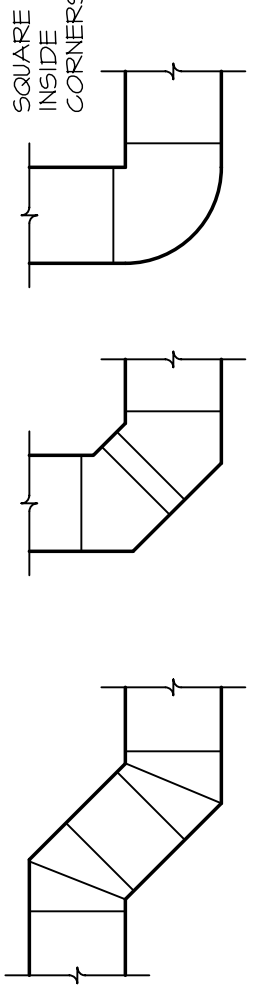
BRANCH DUCT CONNECTION

NO SCALE



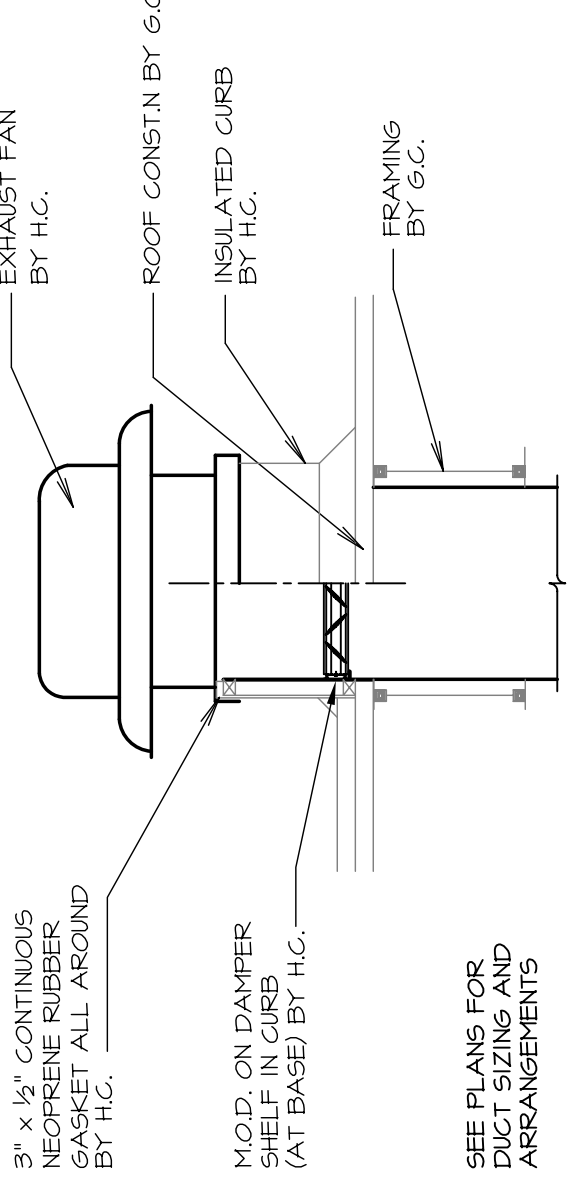
SHOP FABRICATED MANUAL DAMPER

NO SCALE



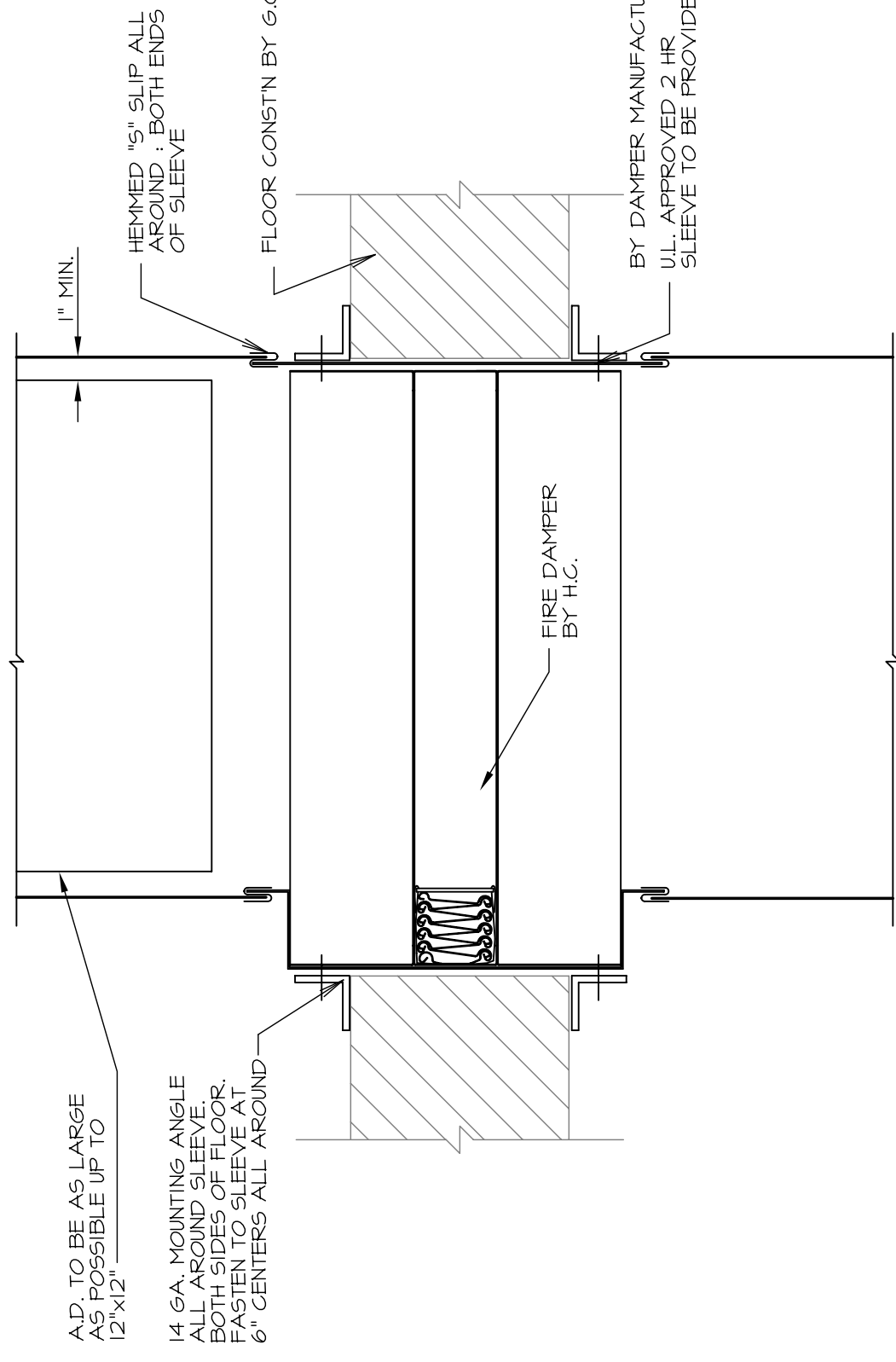
UNACCEPTABLE DUCT FITTINGS

NO SCALE



ROOF EXHAUST FAN

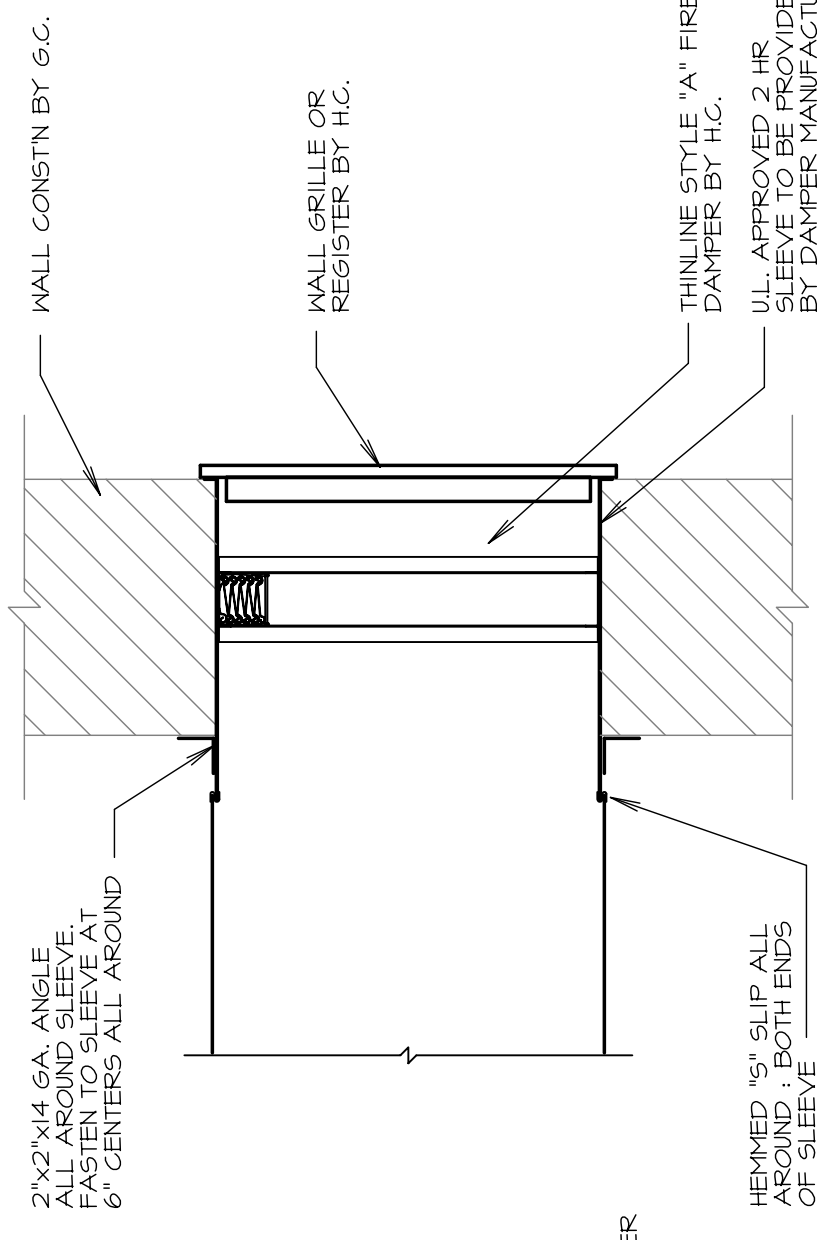
NO SCALE



NOTE: SEE PLANS FOR DUCT AND DAMPER SIZING.

FLOOR FIRE DAMPER STYLE "B"

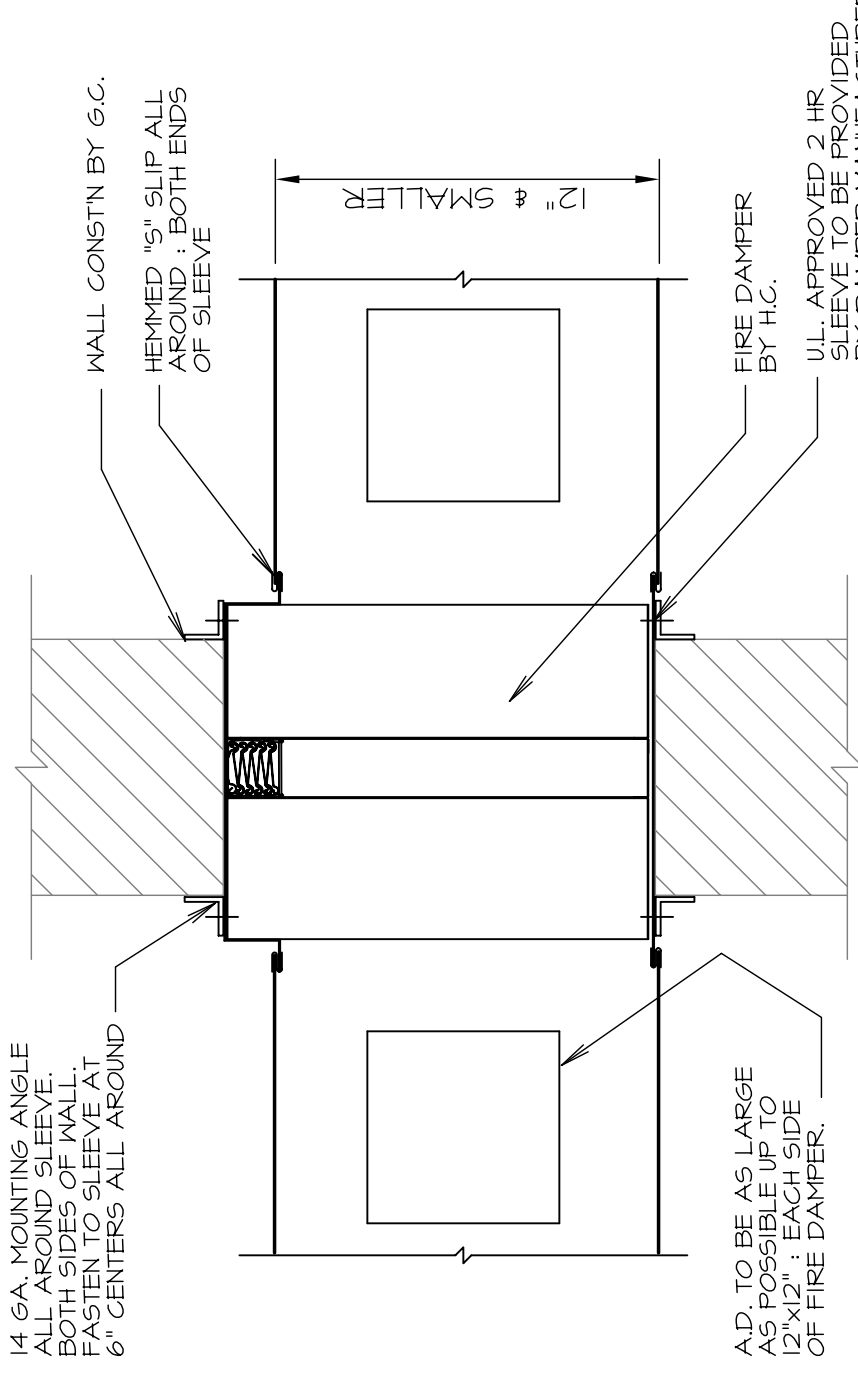
NO SCALE



NOTE: SEE PLANS FOR DUCT AND DAMPER SIZING.

WALL FIRE DAMPER BEHIND GRILLE

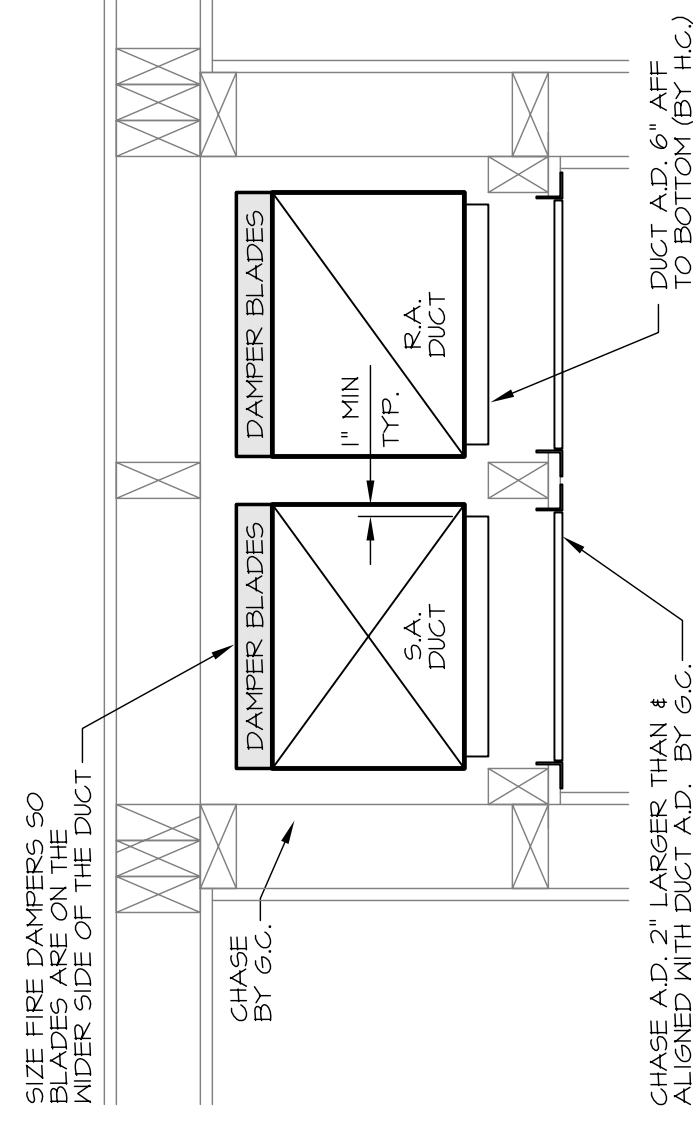
NO SCALE



NOTE: SEE PLANS FOR DUCT AND DAMPER SIZING.

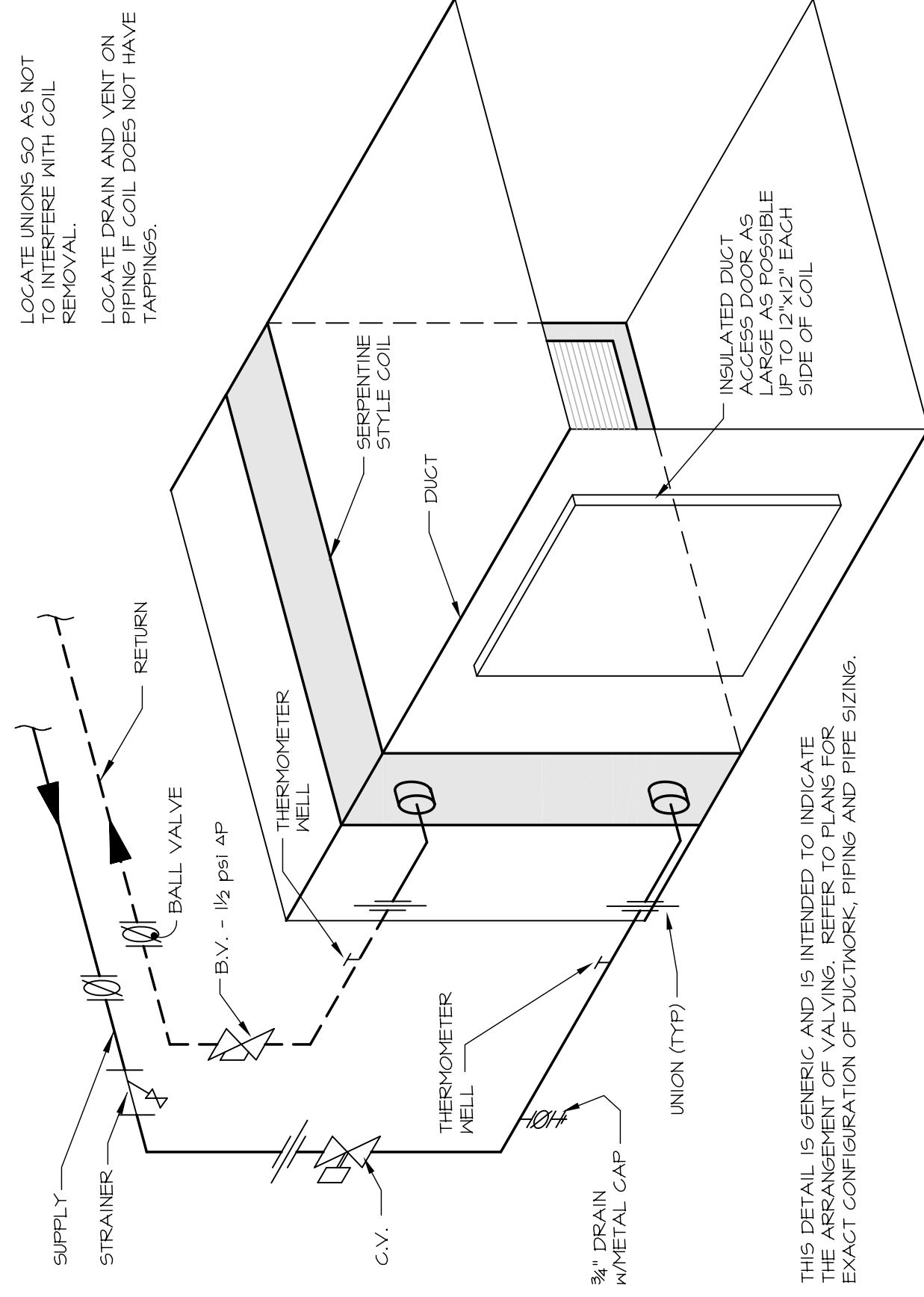
WALL FIRE DAMPER STYLE "B"

NO SCALE



FLOOR FIRE DAMPER PLAN VIEW

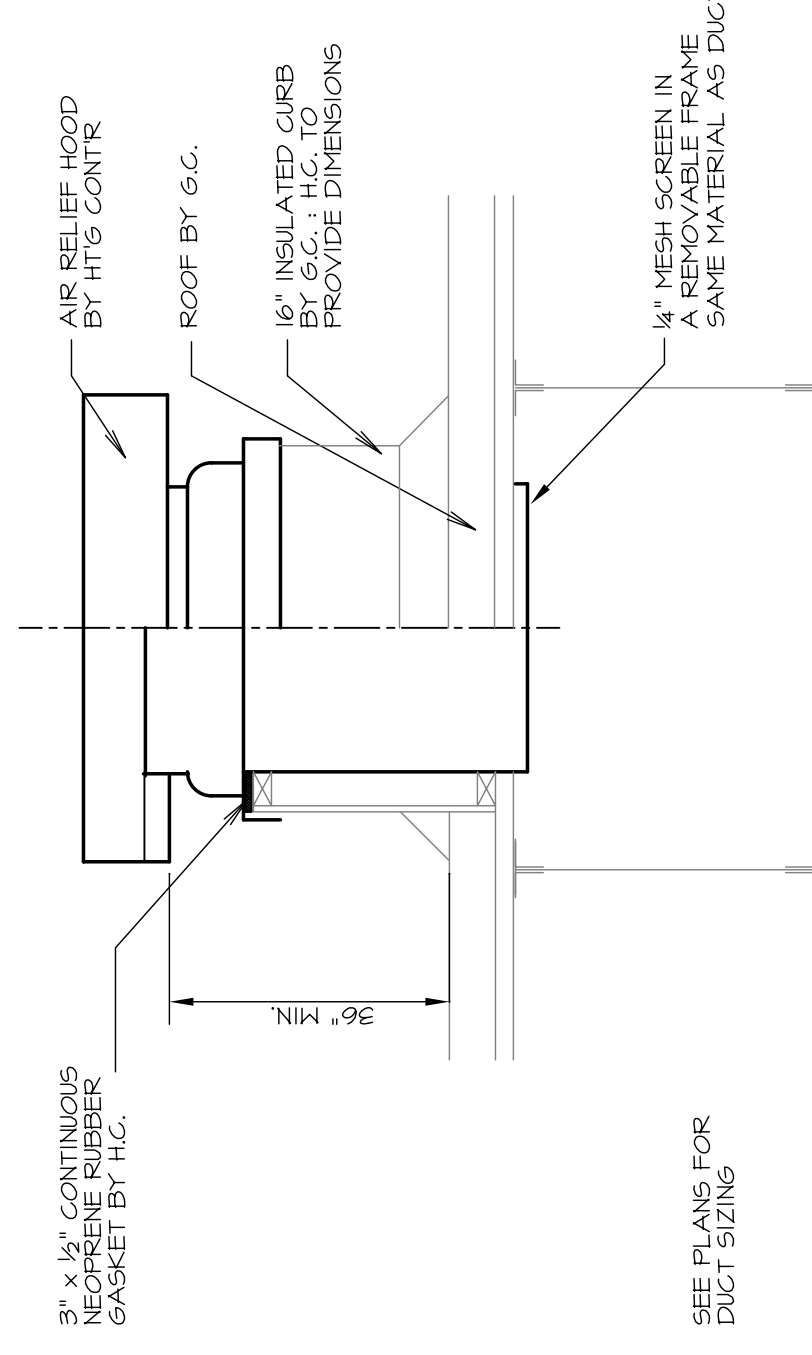
NO SCALE



THIS DETAIL IS GENERIC AND IS INTENDED TO INDICATE THE ARRANGEMENT OF VALVING. REFER TO PLANS FOR EXACT CONFIGURATION OF DUCTWORK, PIPING AND PIPE SIZING.

DUCT HOT WATER COIL DETAIL

NO SCALE

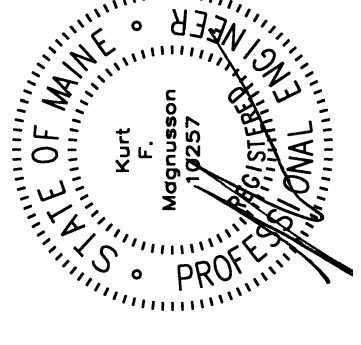


SEE PLANS FOR DUCT SIZING

AIR RELIEF HOOD AT ELEVATOR SHAFTS

NO SCALE

Pearl Place
Building 1 & 2
Portland Maine



Developer
Avesta Pearl Street One,
L.P.

Architect
Winton Scott Architects
Landscape Architect
Carroll Associates

Civil Engineer
Gorill - Palmer
Structural Engineer
Becker Engineering

Mechanical Engineer
Mechanical Systems Engineers
Lighting / Electrical Engineer
Bartlett Design

GENERAL
MECHANICAL
DETAILS

M13

September 01, 2006

M.S.E. Proj_0606



MECHANICAL SYSTEMS ENGINEERS
ROYAL RIVER CENTER, UNIT #10
100 FOREST FALLS DRIVE
PORTLAND, MAINE 04106
PHONE: (207) 846-1441
VOICE: (207) 846-1441
FAX: (207) 846-1443
mechse@comcast.net
© copyright 2006