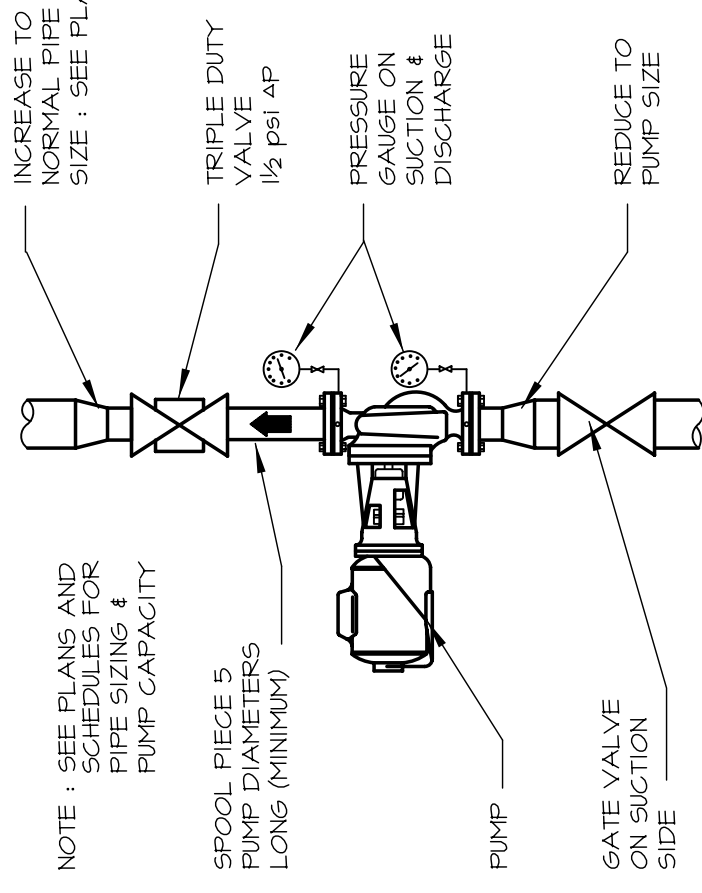
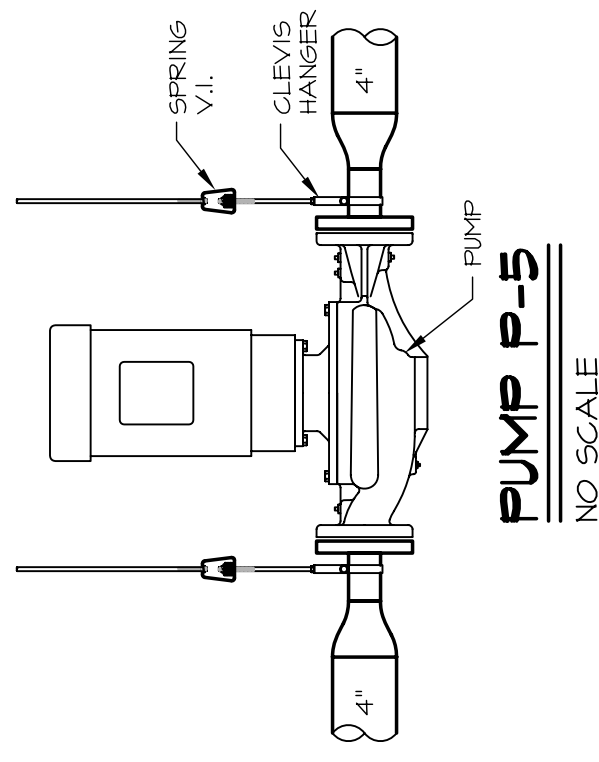
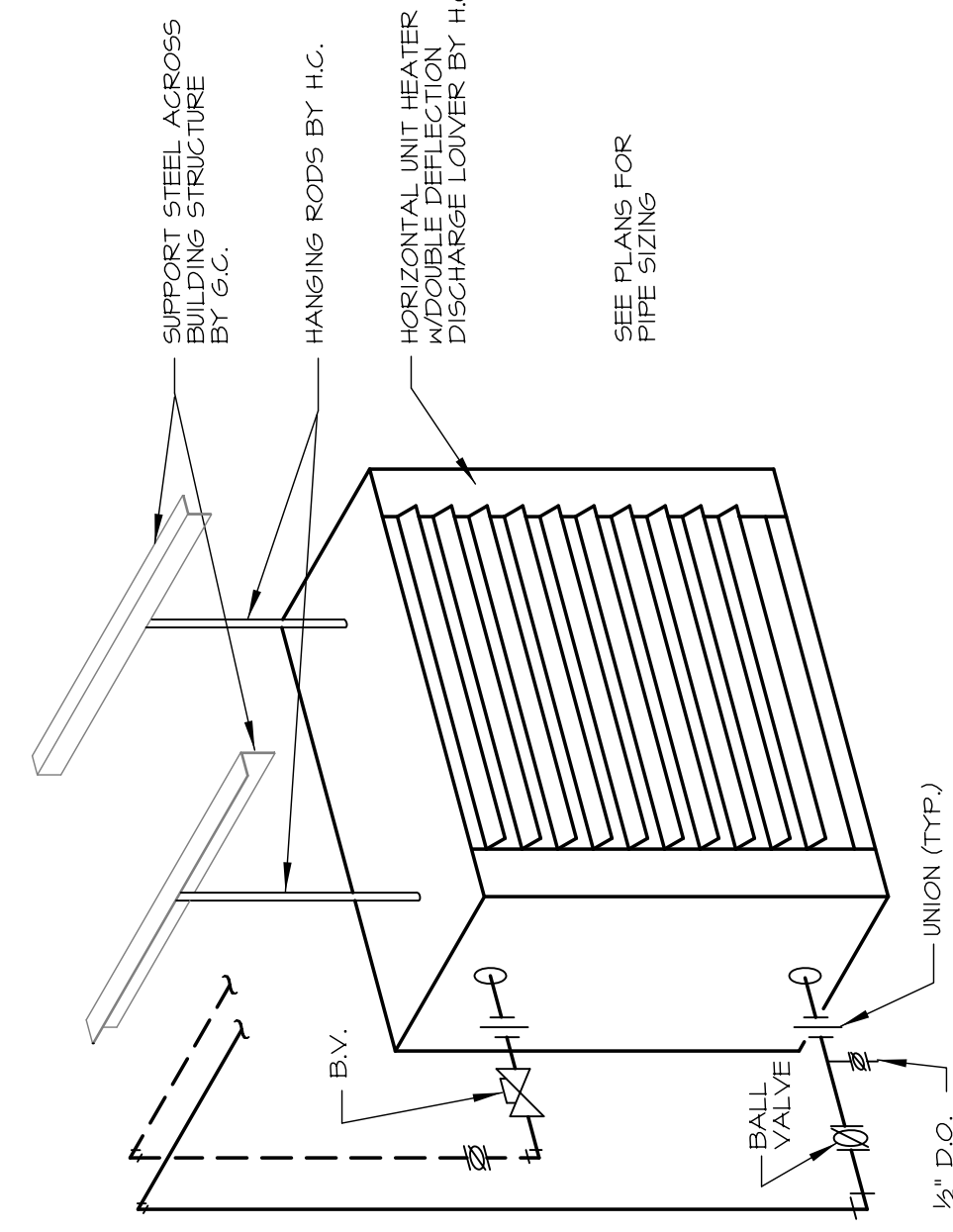


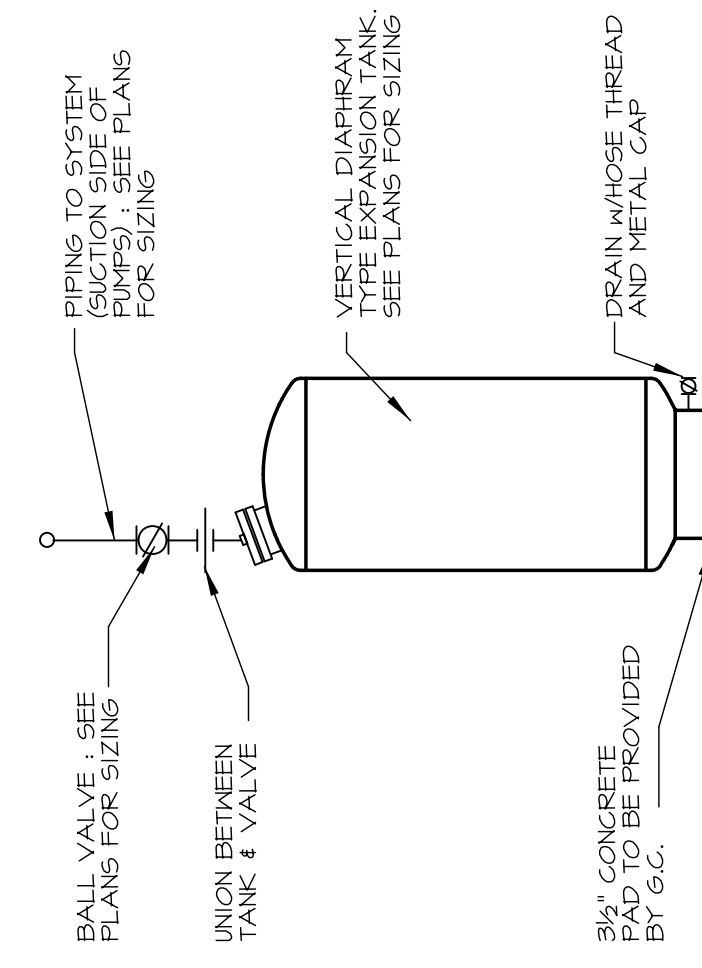
HEATING SYSTEM WATER MAKE-UP DETAIL
NO SCALE



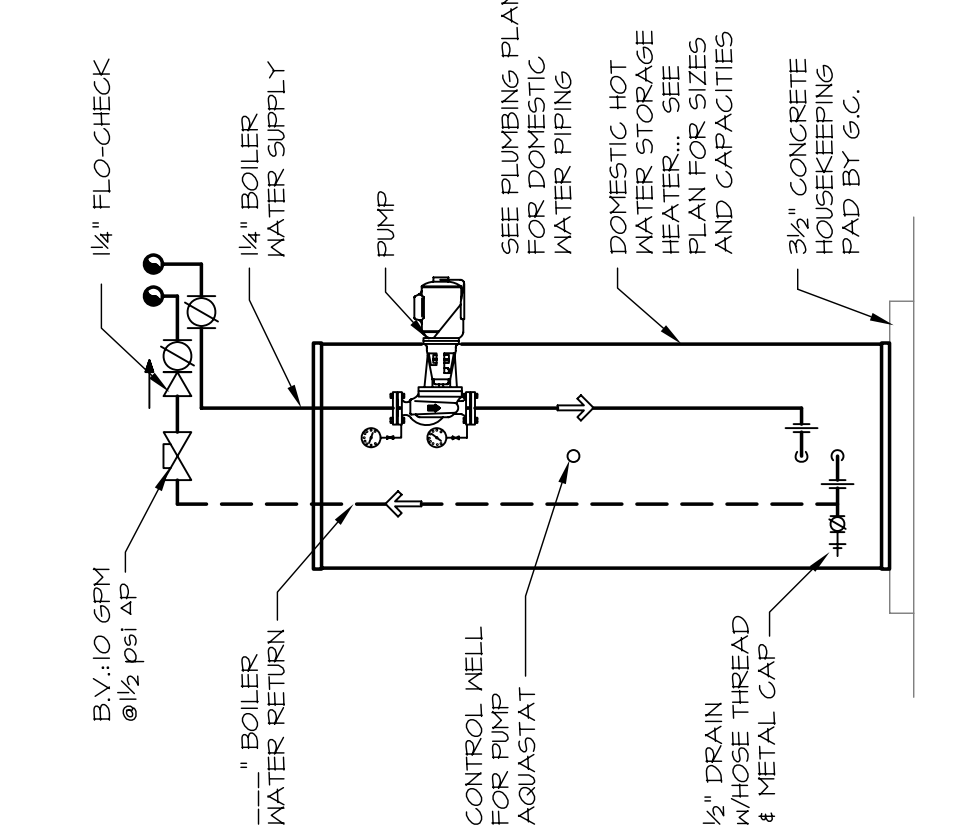
HORIZONTAL IN-LINE PUMP DETAIL
NO SCALE



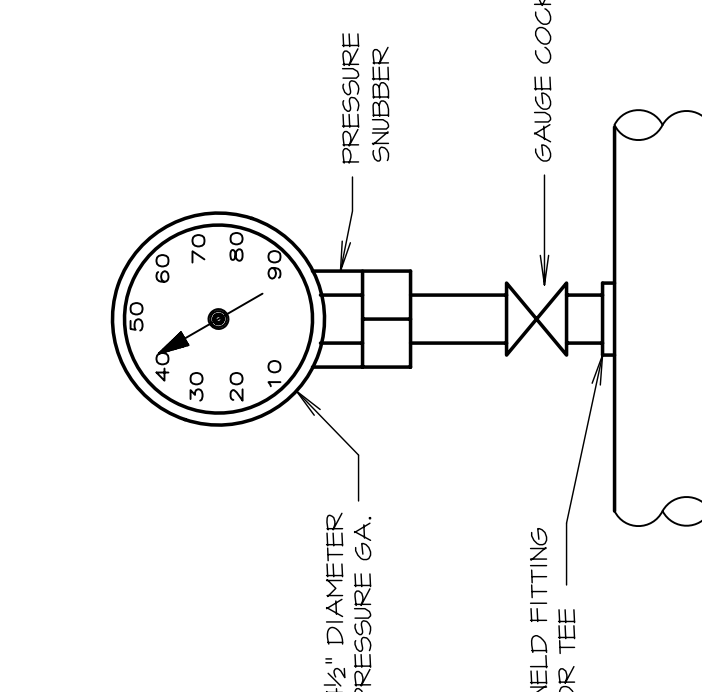
DOWNFEED HORIZONTAL UNIT HEATER
NO SCALE



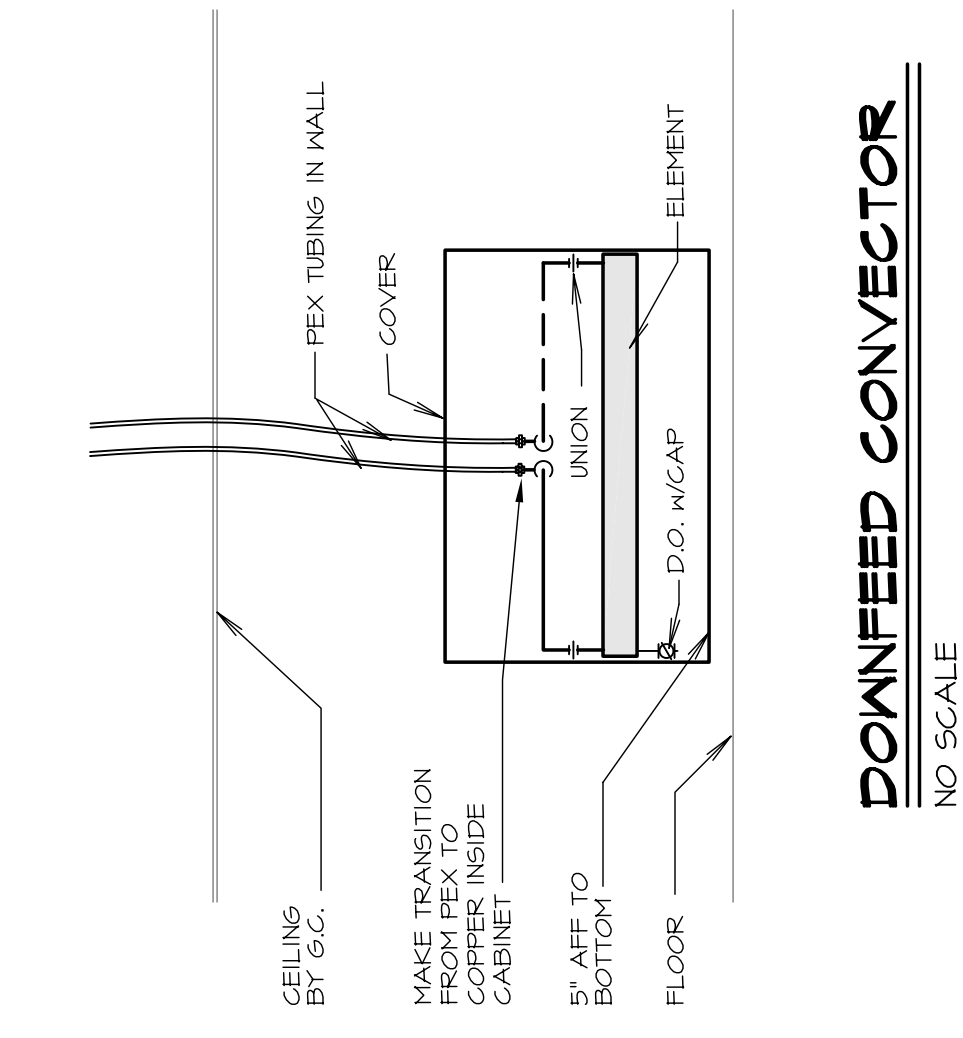
DIAPHRAGM TYPE EXPANSION TANK
NO SCALE



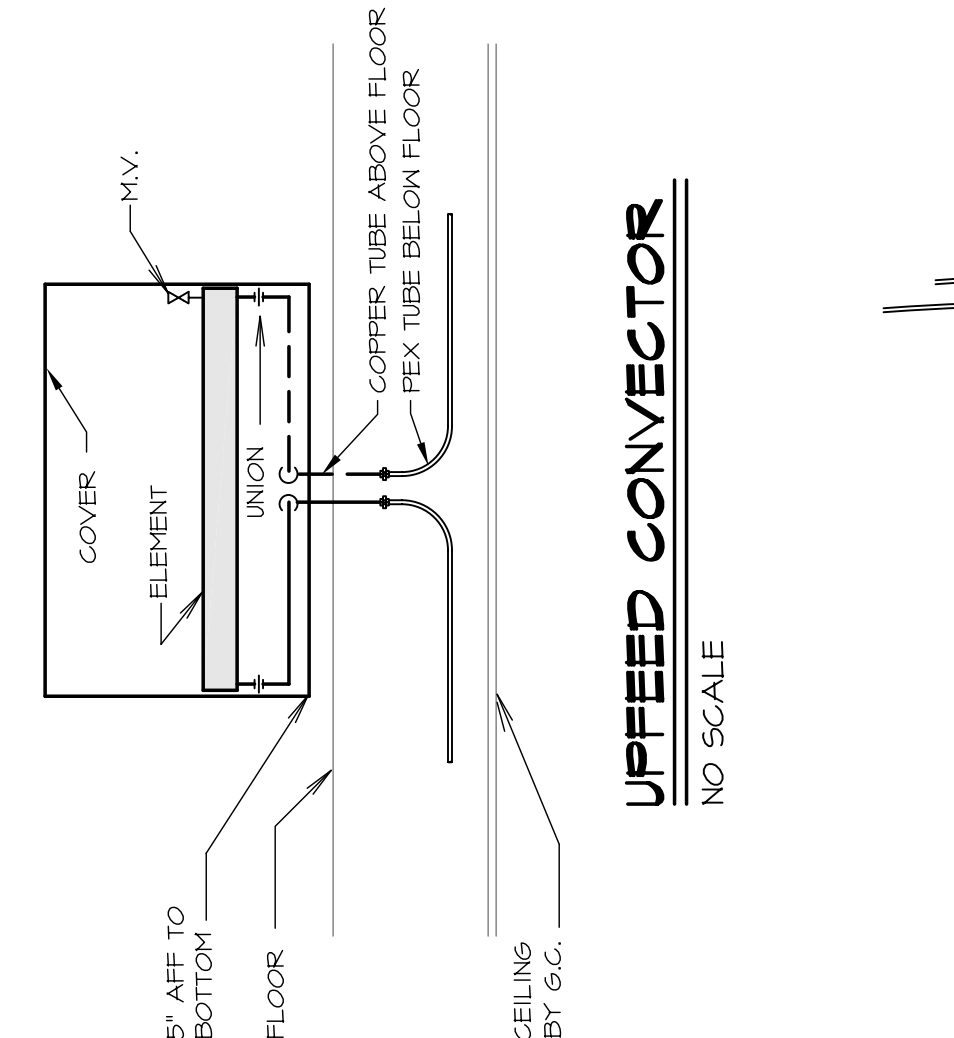
STORAGE WATER HEATER DETAIL
NO SCALE



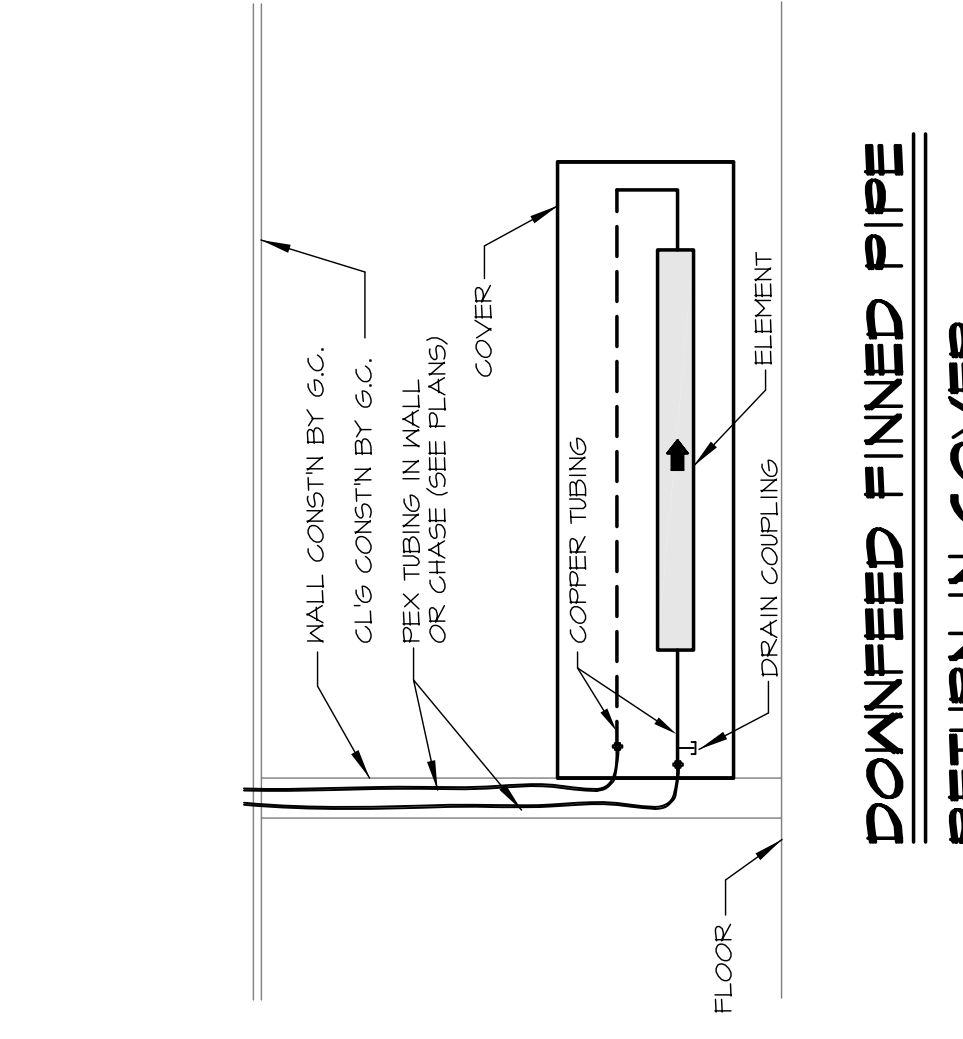
WATER PRESSURE GAUGE
NO SCALE



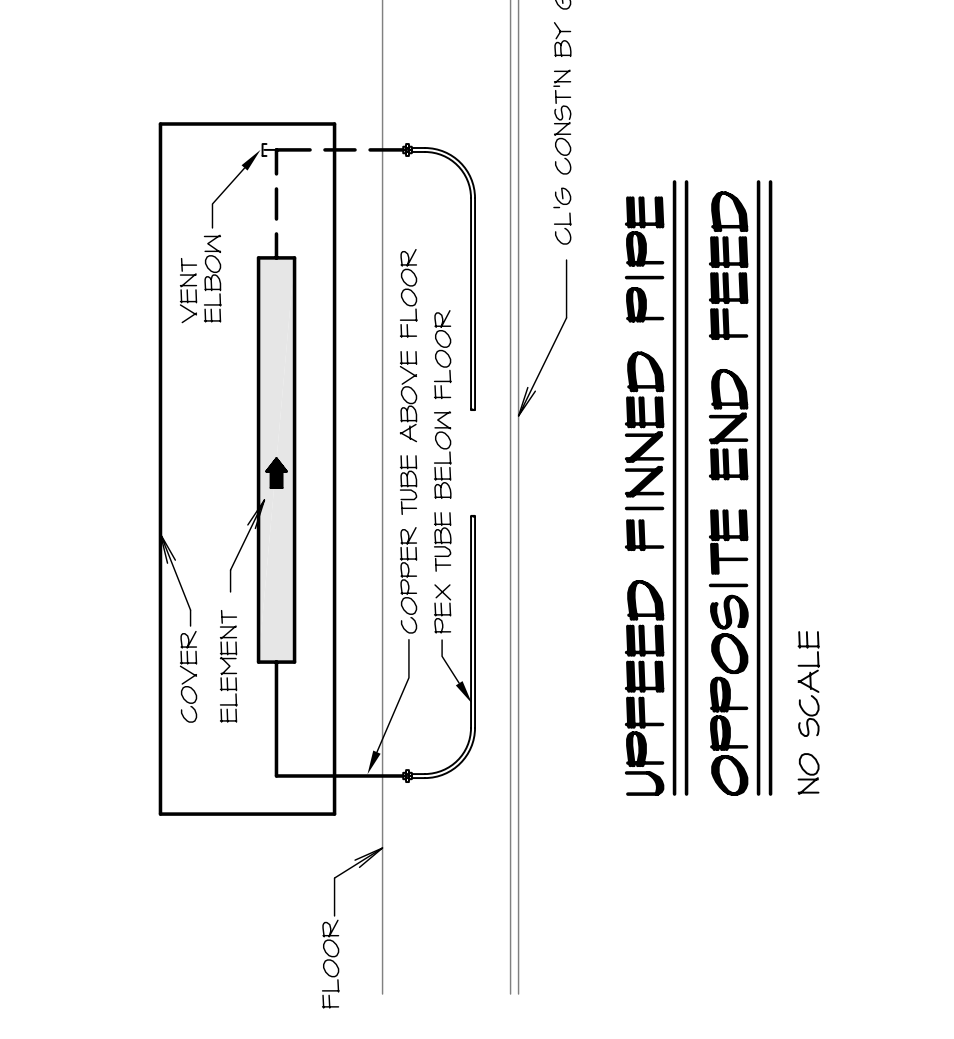
DOWNFEED CONVECTOR
NO SCALE



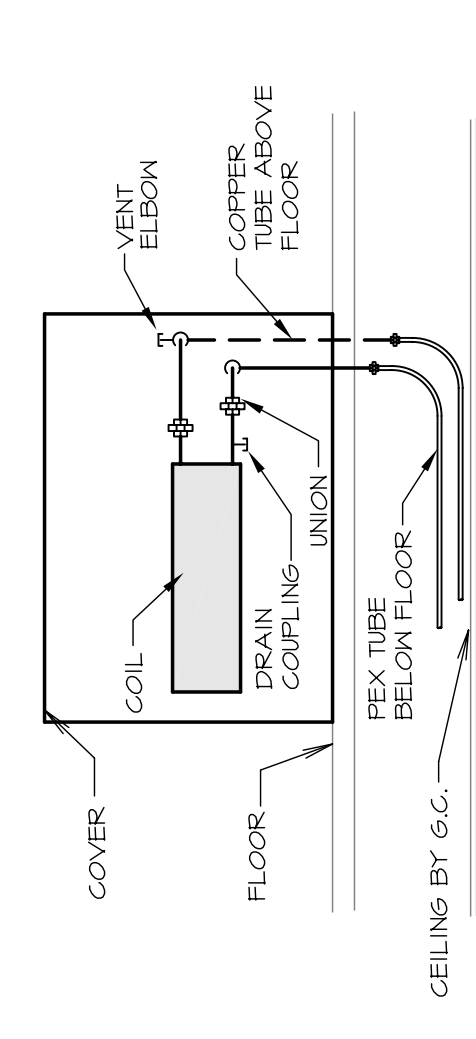
UPFEED CONVECTOR
NO SCALE



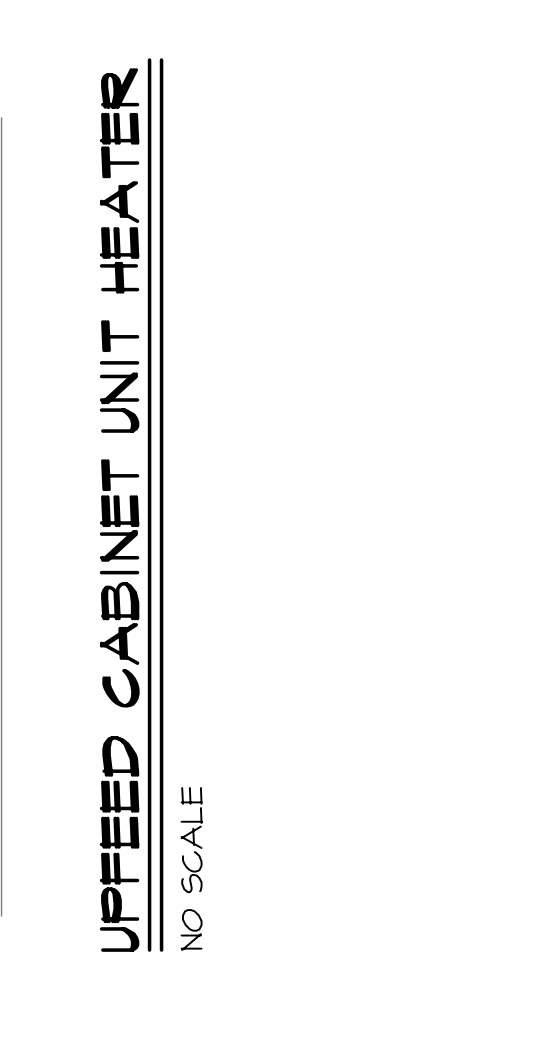
DOWNFEED FINNED PIPE RETURN IN COVER
NO SCALE



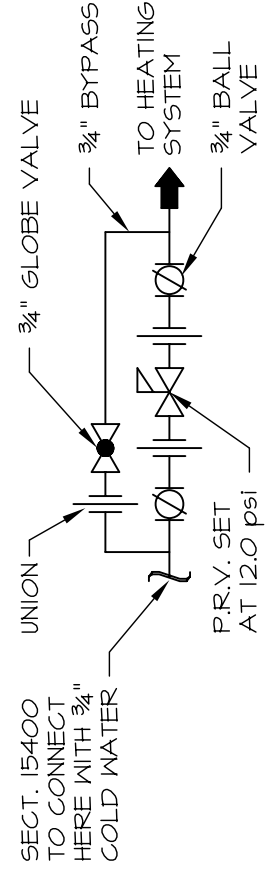
UPFEED FINNED PIPE OPPOSITE END FEED
NO SCALE



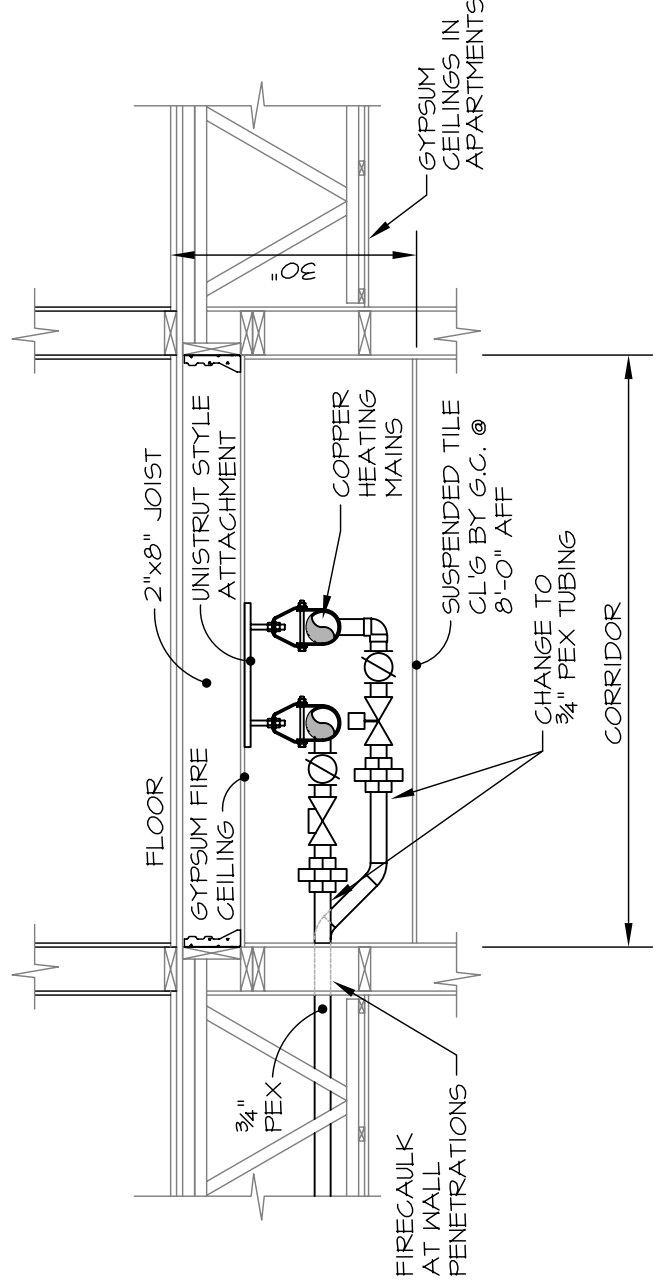
DOWNFEED CABINET UNIT HEATER
NO SCALE



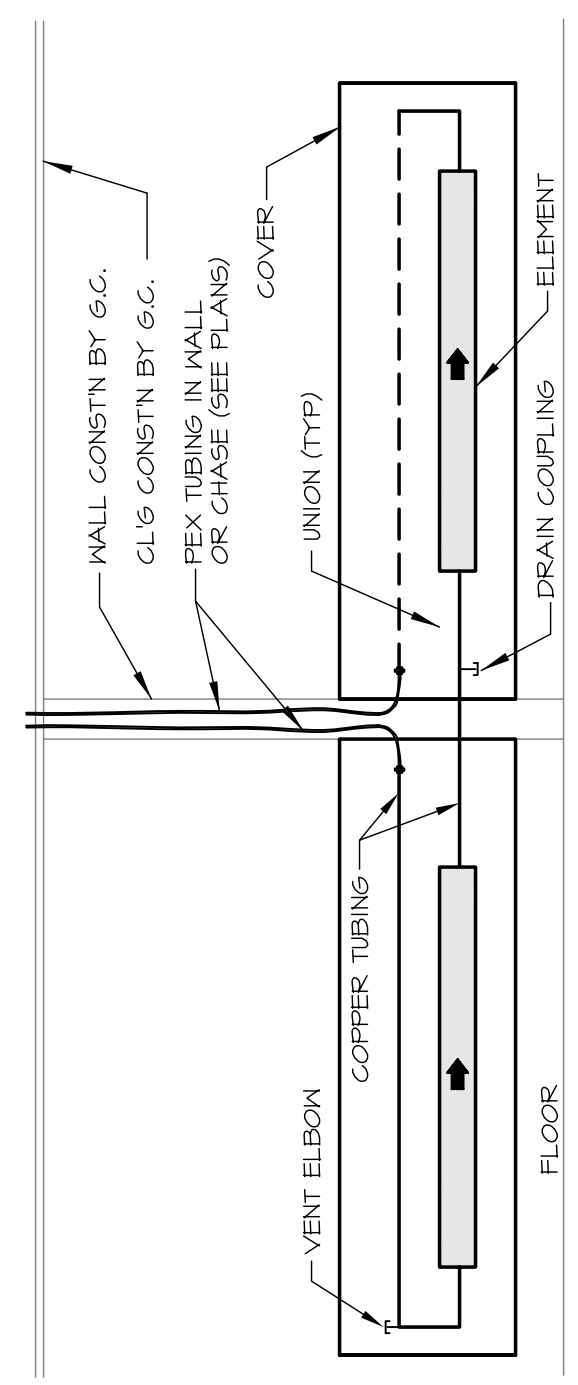
UPFEED CABINET UNIT HEATER
NO SCALE



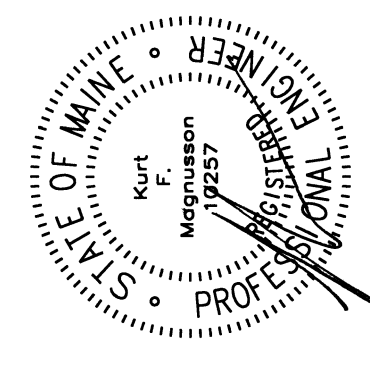
BRANCH PIPING FROM MAINS
SCALE: 1/2" = 1'-0"



PIPE ANCHOR DETAIL
NO SCALE



DOWNFEED FINNED PIPE - TWO WAY FEED
NO SCALE



Pearl Place
Building 1 & 2
Portland Maine

Developer
Avesta Pearl Street One,
L.P.

Architect
Winton Scott Architects
Landscape Architect
Carroll Associates

Civil Engineer
Gorrill - Palmer

Structural Engineer
Becker Engineering

Mechanical Engineer
Mechanical Systems Engineers
Lighting / Electrical Engineer
Bartlett Design

GENERAL MECHANICAL DETAILS

M12

September 01, 2006

M.S.E. Proj. 0606

MECHANICAL SYSTEMS ENGINEERS
ROYAL RIVER CENTER, UNIT #10
100 FOREST FALLS DRIVE
PORTLAND, ME 04106
PHONE: (207) 846-1441
VOICE: (207) 846-1441
FAX: (207) 846-1443
msengr@comcast.net
© copyright 2006

